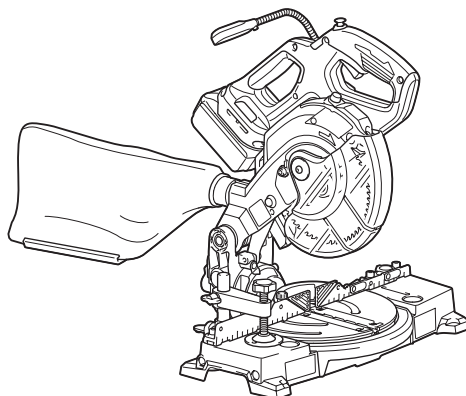




EN	Cordless Compound Miter Saw	INSTRUCTION MANUAL	12
FR	Scie à coupe d'onglet mixte sans Fil	MANUEL D'INSTRUCTIONS	26
DE	Akku Gehrungs-und Kappsäge	BETRIEBSANLEITUNG	41
IT	Troncatrice composita a batteria	ISTRUZIONI PER L'USO	57
NL	Accu-afkortverstekzaag	GEBRUIKSAANWIJZING	72
ES	Sierra de Inglete Inalámbrica	MANUAL DE INSTRUCCIONES	87
PT	Serra de Esquadria a Bateria	MANUAL DE INSTRUÇÕES	102
DA	Akku kombineret geringssav	BRUGSANVISNING	117
EL	Φορητό πριόνι σύνθετης λοξόμησης	ΕΓΧΕΙΡΙΔΙΟ ΟΔΗΓΙΩΝ	131
TR	Akülü Birleşik Gönyeburun Testere	KULLANMA KILAVUZU	147

## DLS600



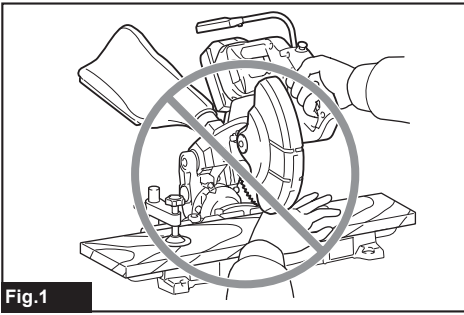


Fig.1

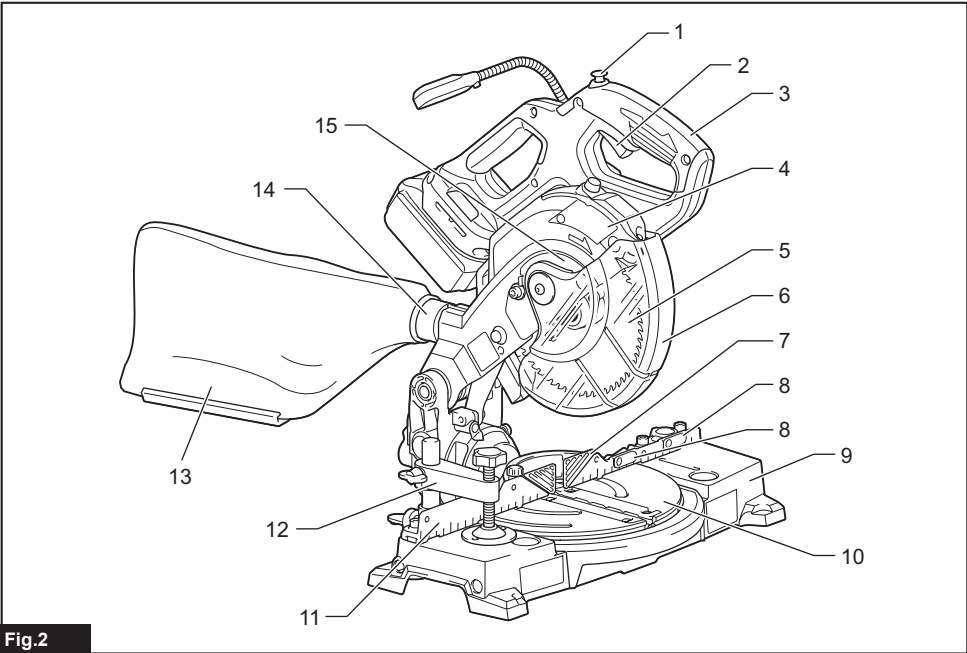
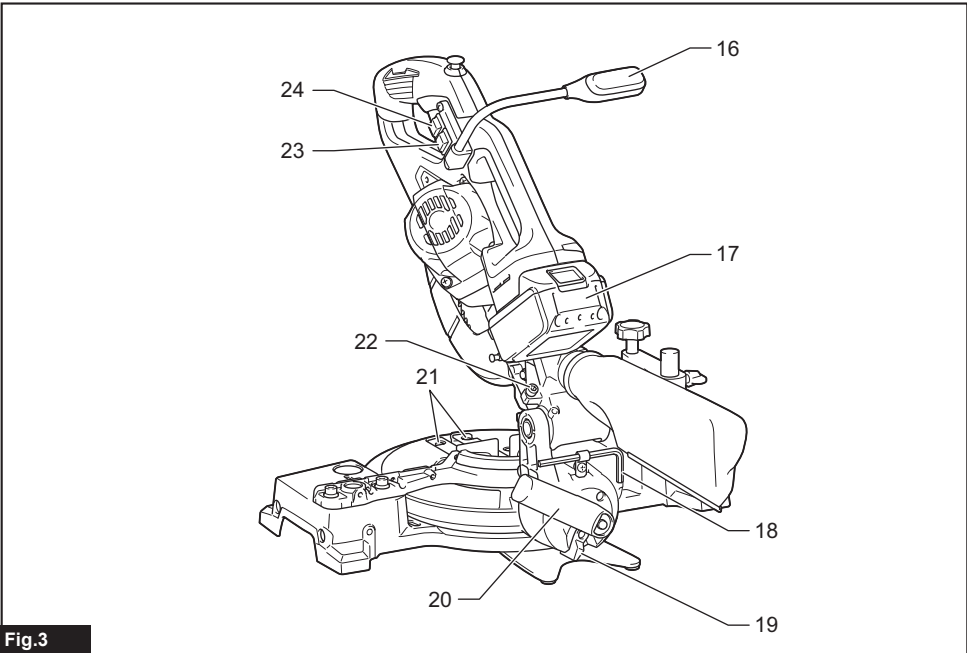
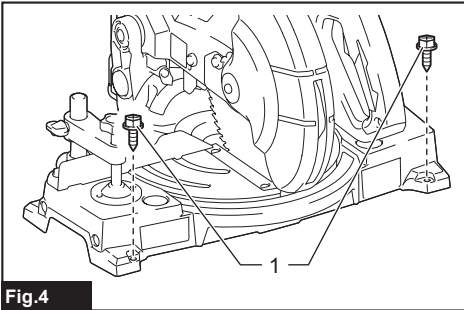


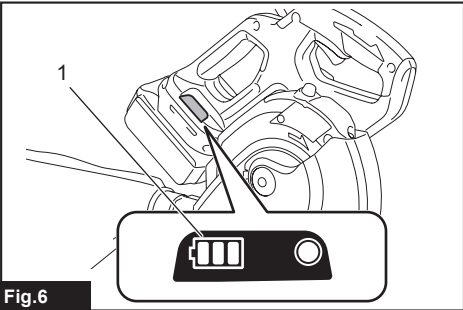
Fig.2



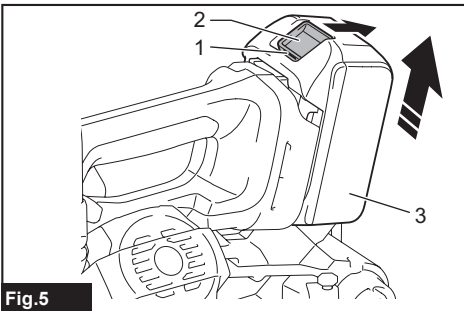
**Fig.3**



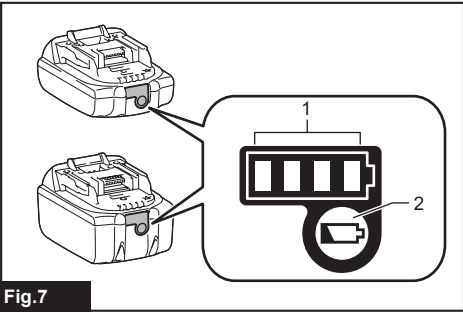
**Fig.4**



**Fig.6**



**Fig.5**



**Fig.7**

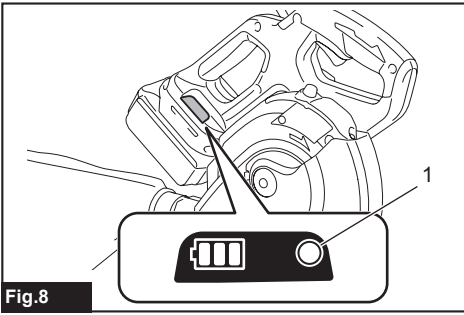


Fig.8

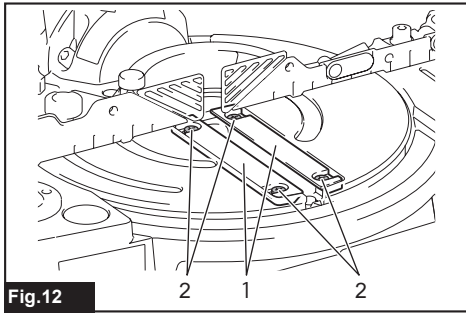


Fig.12

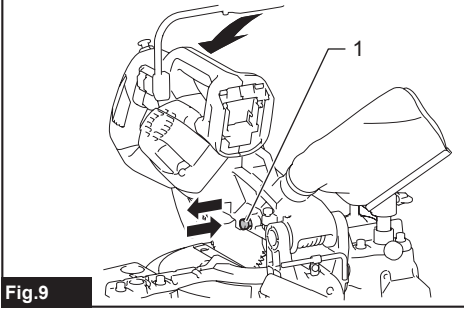


Fig.9

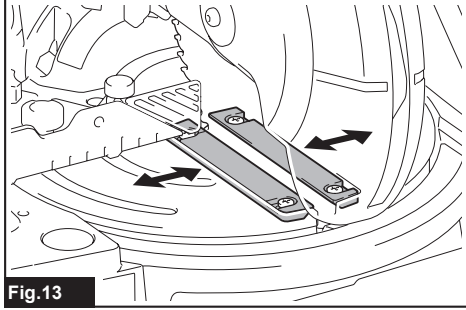


Fig.13

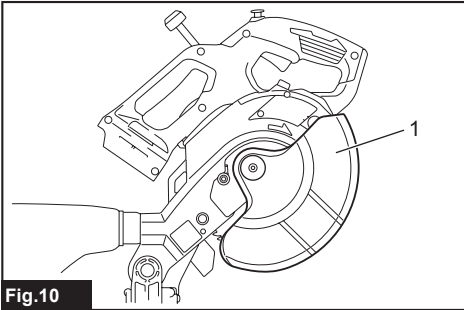


Fig.10

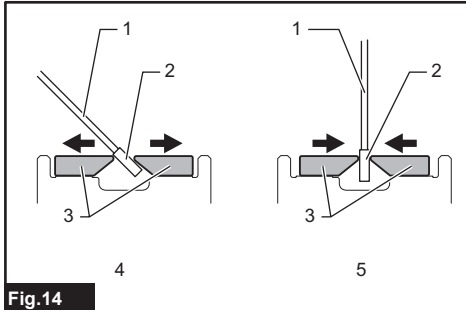


Fig.14

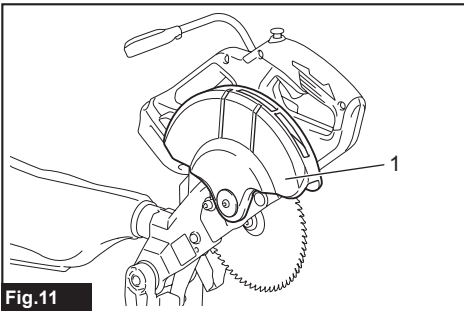


Fig.11

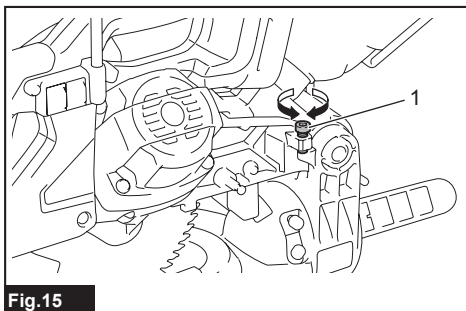


Fig.15

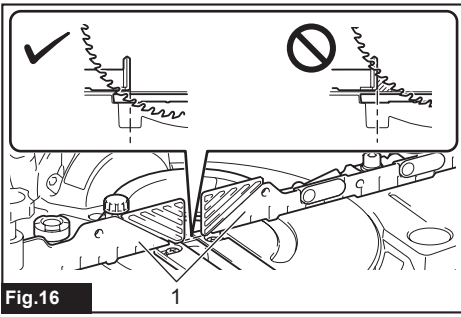


Fig.16

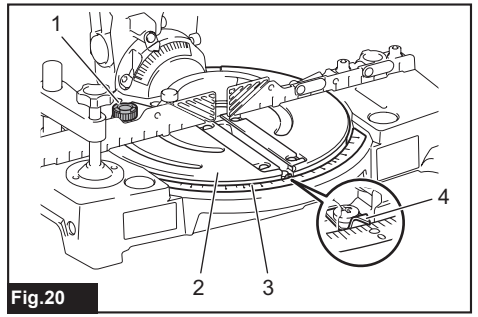


Fig.20

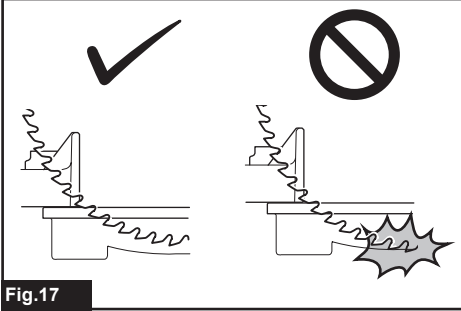


Fig.17

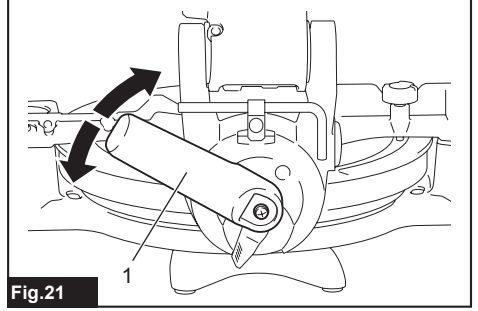


Fig.21

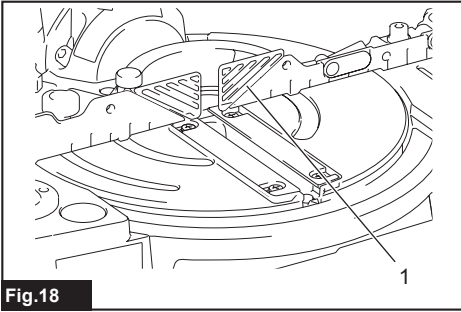


Fig.18

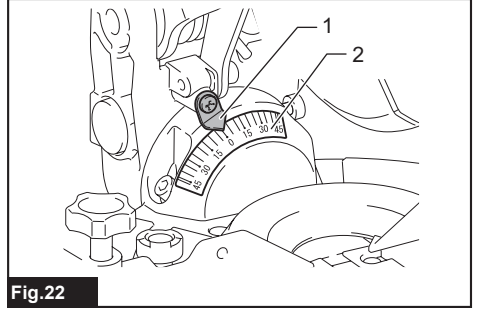


Fig.22

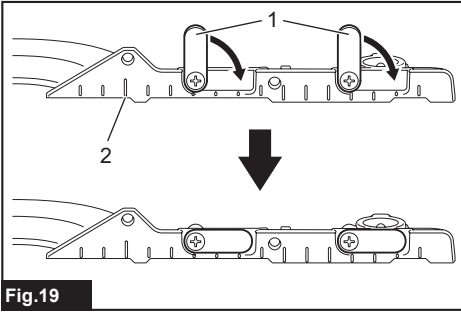


Fig.19

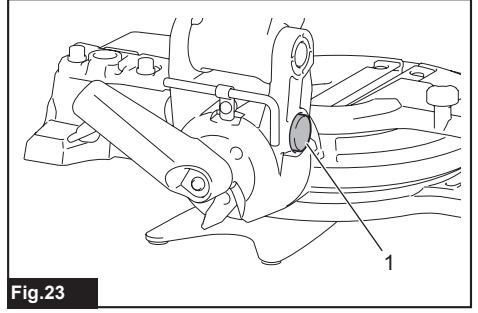


Fig.23

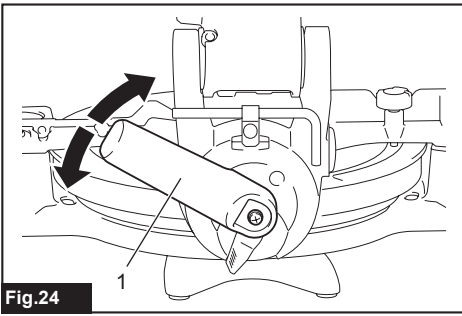


Fig.24

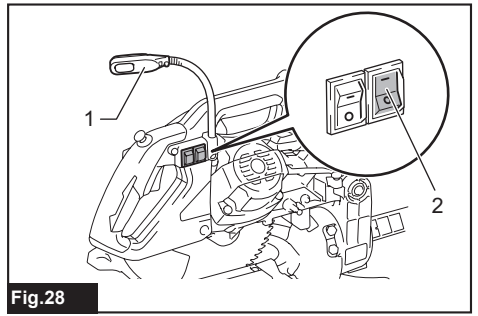


Fig.28

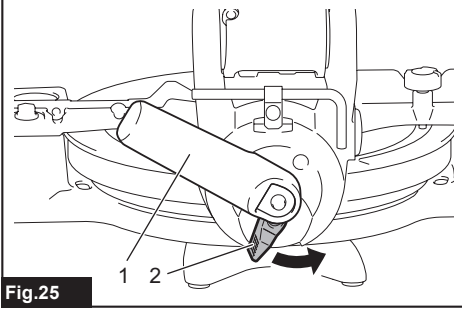


Fig.25

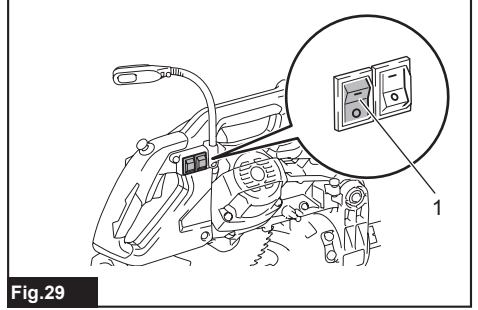


Fig.29

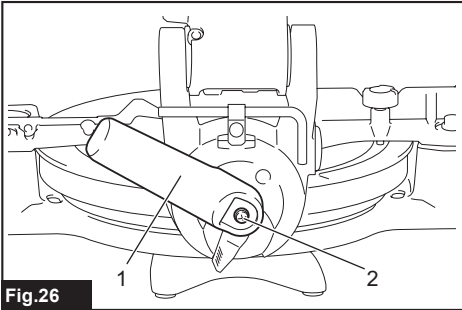


Fig.26

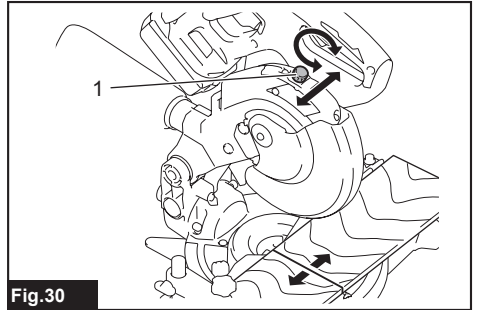


Fig.30

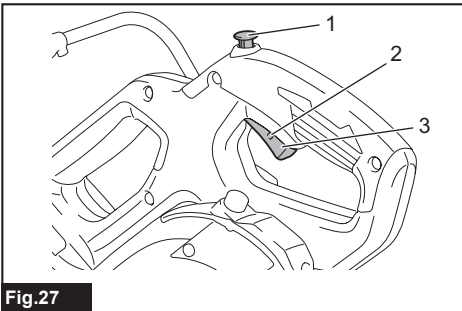


Fig.27

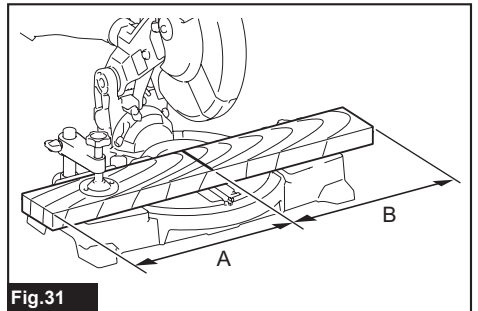
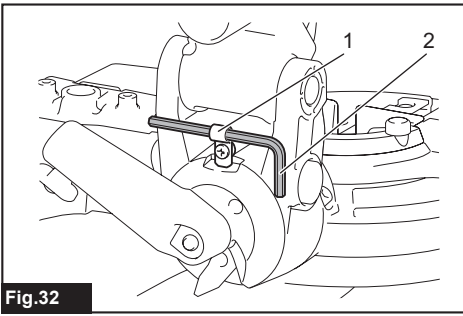
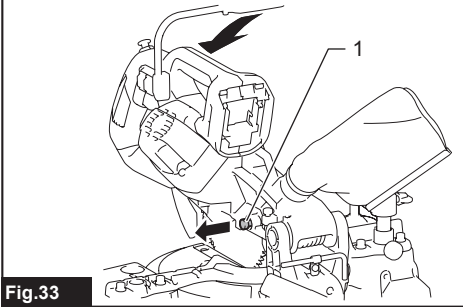


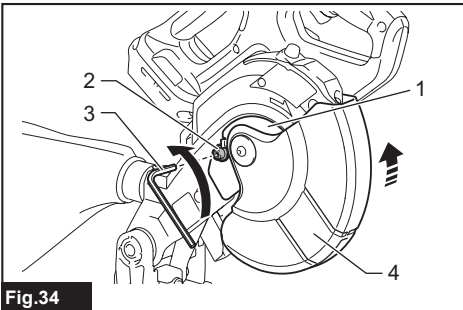
Fig.31



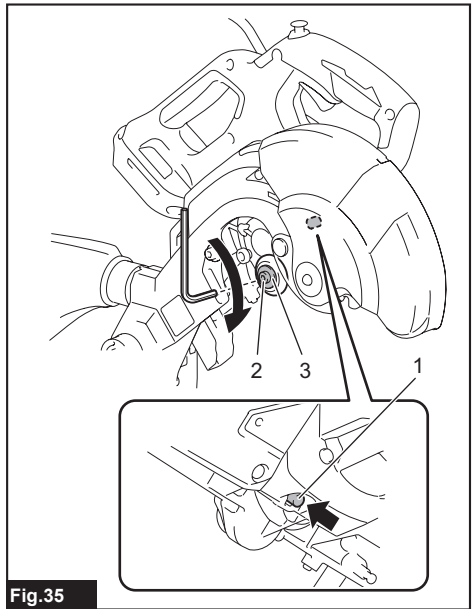
**Fig.32**



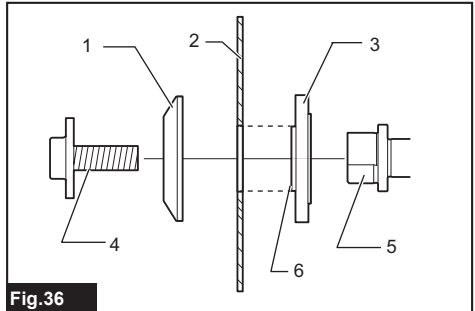
**Fig.33**



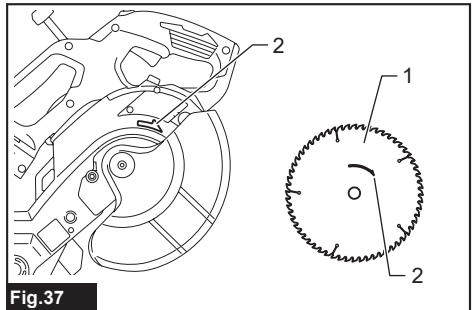
**Fig.34**



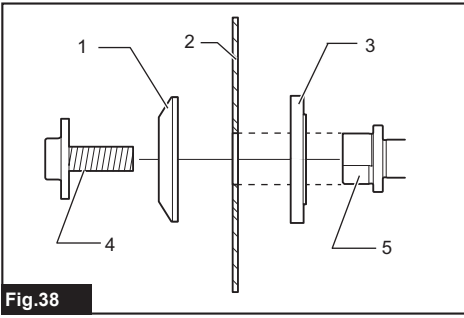
**Fig.35**



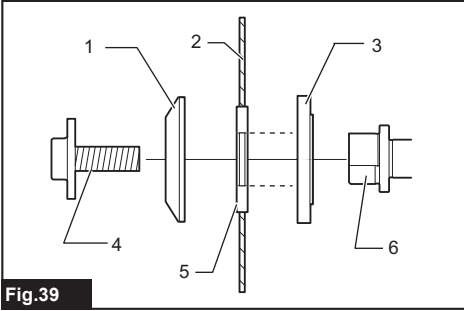
**Fig.36**



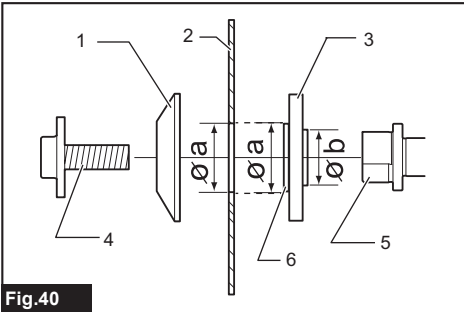
**Fig.37**



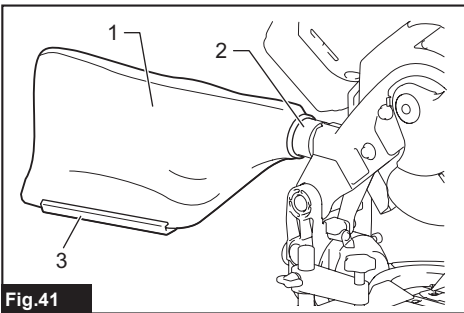
**Fig.38**



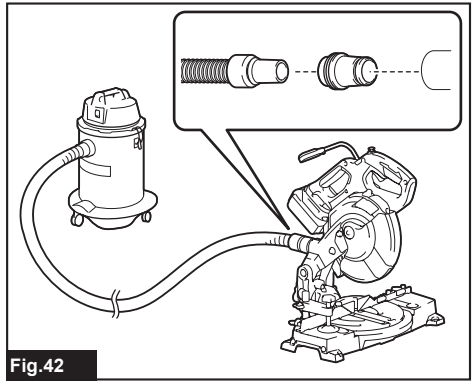
**Fig.39**



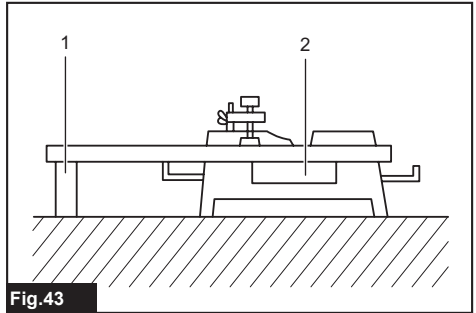
**Fig.40**



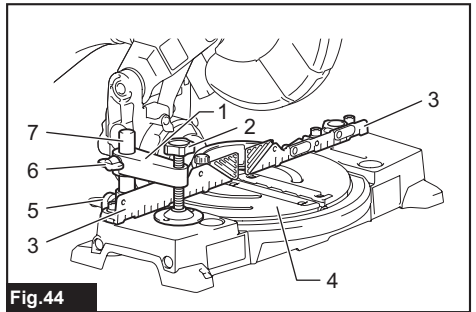
**Fig.41**



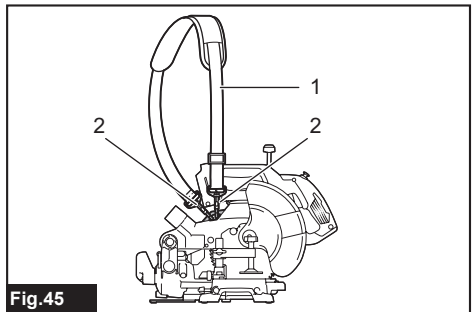
**Fig.42**



**Fig.43**



**Fig.44**



**Fig.45**



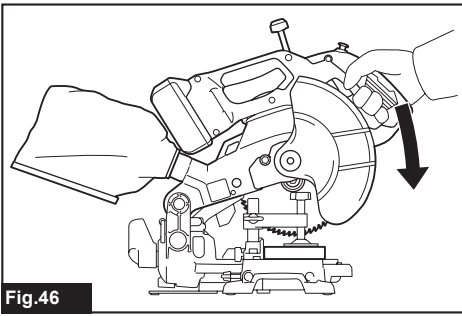


Fig.46

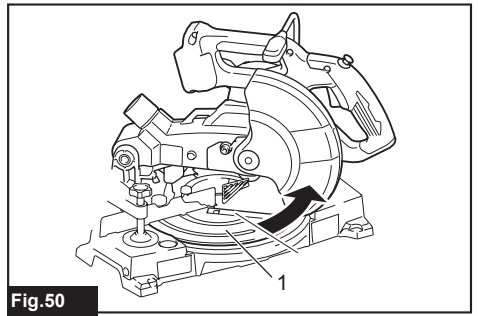


Fig.50

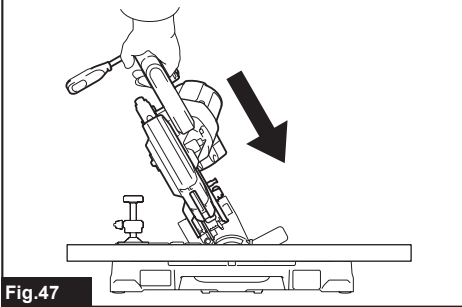


Fig.47

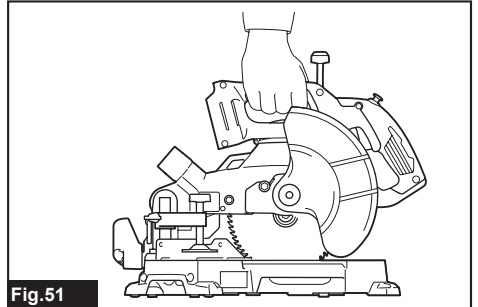


Fig.51

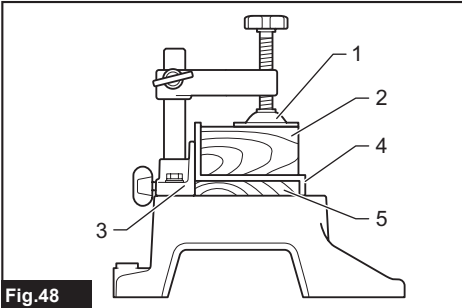


Fig.48

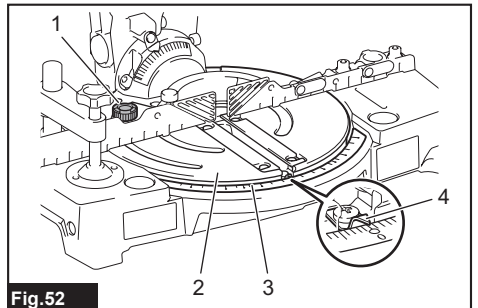


Fig.52

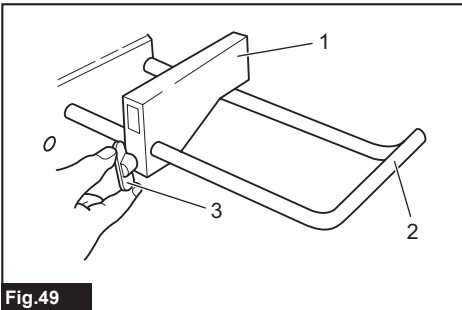


Fig.49

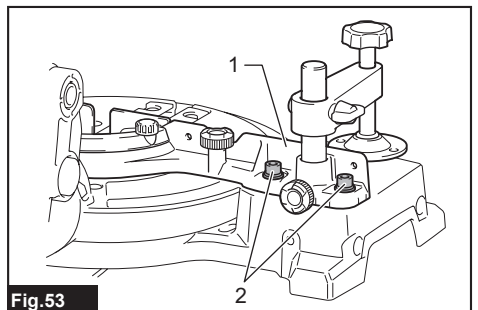


Fig.53

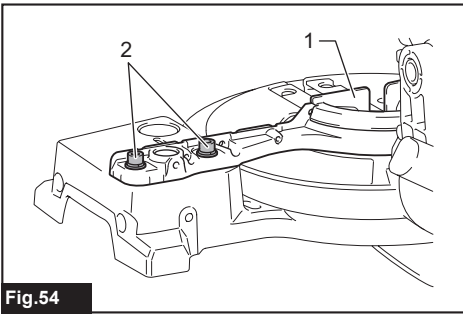


Fig.54

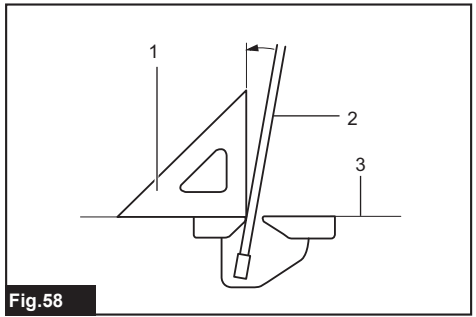


Fig.58

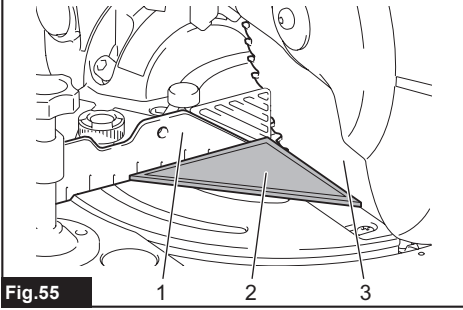


Fig.55

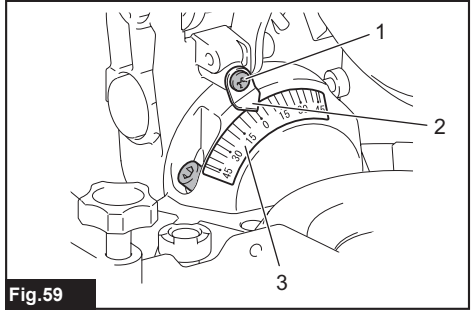


Fig.59

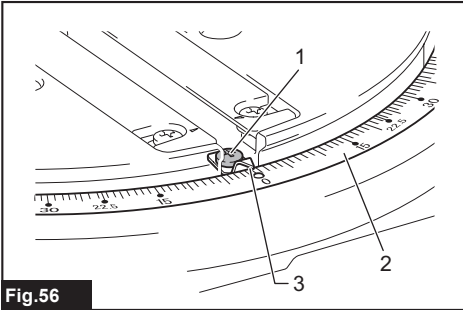


Fig.56

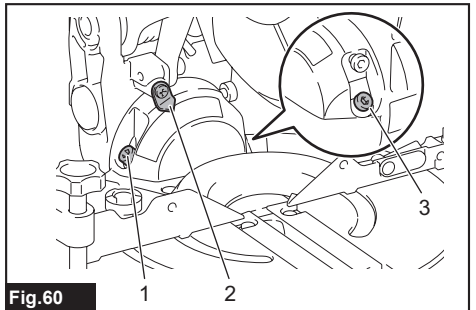


Fig.60

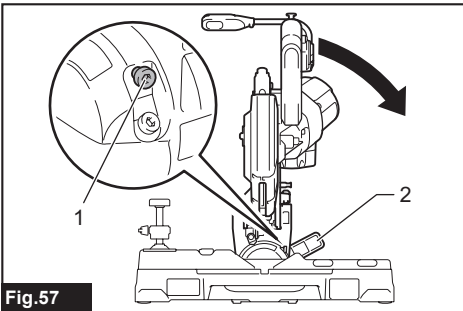


Fig.57

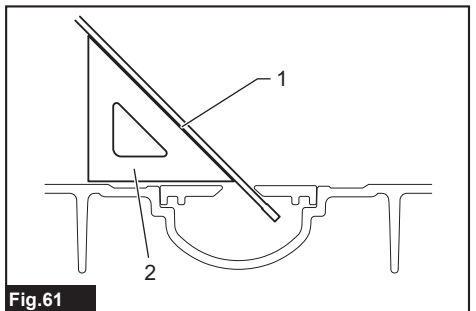


Fig.61

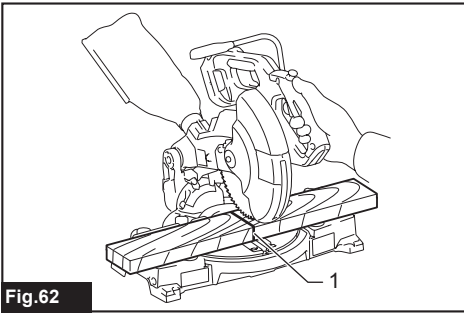


Fig.62

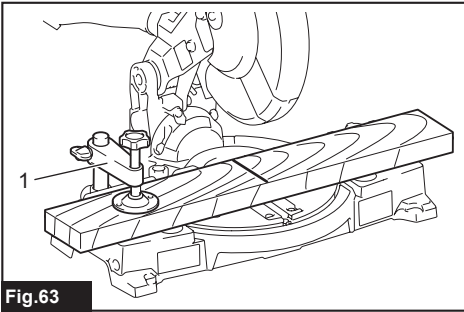


Fig.63

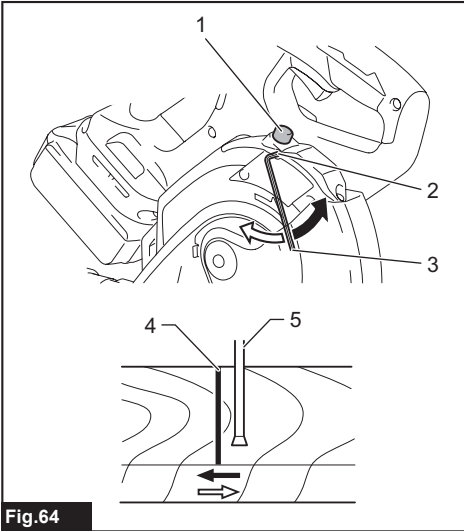


Fig.64

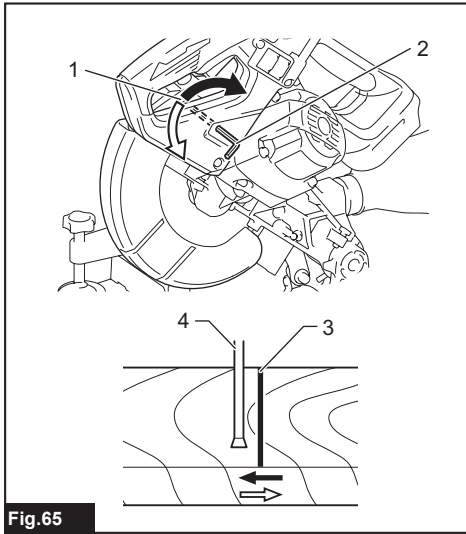


Fig.65

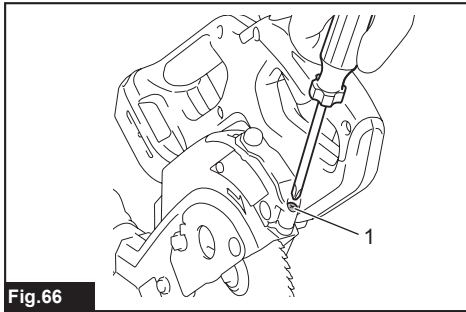


Fig.66

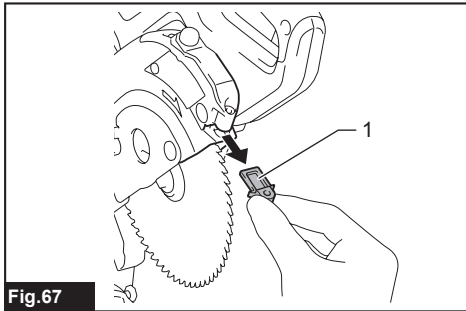


Fig.67

# SPECIFICATIONS

Model:	<b>DLS600</b>
Blade diameter	165 mm
Hole (arbor) diameter	20 mm
Max. miter angle	Left 52°, Right 52°
Max. bevel angle	Left 45° (46° when using release lever), Right 45° (46° when using release lever)
No load speed	5,000 min <sup>-1</sup>
Laser type	Red Laser 650 nm, Maximum output < 1.6mW ( Laser Class 2M )
Dimensions (L x W x H)	340 mm x 400 mm x 440 mm
Rated voltage	D.C. 18 V
Net weight	6.3 - 6.6 kg

## Max. Cutting capacities (H x W) with blade 165 mm

Miter angle	Bevel angle		
	45° (left)	0°	45° (right)
0°	30 mm x 92 mm	46 mm x 92 mm	15 mm x 92 mm
45° (left and right)	30 mm x 65 mm	46 mm x 65 mm	15 mm x 65 mm

- Due to our continuing program of research and development, the specifications herein are subject to change without notice.
- Specifications and battery cartridge may differ from country to country.
- The weight may differ depending on the attachment(s), including the battery cartridge. The lightest and heaviest combinations, according to EPTA-Procedure 01/2014, are shown in the table.

## Applicable battery cartridge and charger





Battery cartridge	BL1815N / BL1820B / BL1830B / BL1840B / BL1850B / BL1860B
Charger	DC18RC / DC18RD / DC18RE / DC18SD / DC18SE / DC18SF / DC18SH

- Some of the battery cartridges and chargers listed above may not be available depending on your region of residence.

**⚠ WARNING: Only use the battery cartridges and chargers listed above.** Use of any other battery cartridges and chargers may cause injury and/or fire.

## Symbols

The followings show the symbols which may be used for the equipment. Be sure that you understand their meaning before use.

	Read instruction manual.
	Wear safety glasses.
	To avoid injury from flying debris, keep holding the saw head down, after making cuts, until the blade has come to a complete stop.
	Do not place hand or fingers close to the blade.



Never look into the laser beam. Direct laser beam may injure your eyes.



Only for EU countries  
Due to the presence of hazardous components in the equipment, waste electrical and electronic equipment, accumulators and batteries may have a negative impact on the environment and human health. Do not dispose of electrical and electronic appliances or batteries with household waste! In accordance with the European Directive on waste electrical and electronic equipment and on accumulators and batteries and waste accumulators and batteries, as well as their adaptation to national law, waste electrical equipment, batteries and accumulators should be stored separately and delivered to a separate collection point for municipal waste, operating in accordance with the regulations on environmental protection. This is indicated by the symbol of the crossed-out wheeled bin placed on the equipment.

## Intended use

The tool is intended for accurate straight and miter cutting in wood. With appropriate saw blades, aluminum can also be sawed.

Do not use the saw to cut other than wood, aluminum or similar materials.

## Noise

The typical A-weighted noise level determined according to EN62841-3-9:

Sound pressure level ( $L_{pA}$ ): 90 dB(A)

Sound power level ( $L_{WA}$ ): 97 dB(A)

Uncertainty (K): 3 dB(A)

**NOTE:** The declared noise emission value(s) has been measured in accordance with a standard test method and may be used for comparing one tool with another.

**NOTE:** The declared noise emission value(s) may also be used in a preliminary assessment of exposure.

**⚠ WARNING:** Wear ear protection.

**⚠ WARNING:** The noise emission during actual use of the power tool can differ from the declared value(s) depending on the ways in which the tool is used especially what kind of workpiece is processed.

**⚠ WARNING:** Be sure to identify safety measures to protect the operator that are based on an estimation of exposure in the actual conditions of use (taking account of all parts of the operating cycle such as the times when the tool is switched off and when it is running idle in addition to the trigger time).

## Vibration

The vibration total value (tri-axial vector sum) determined according to EN62841-3-9:

Vibration emission ( $a_h$ ): 2.5 m/s<sup>2</sup> or less

Uncertainty (K): 1.5 m/s<sup>2</sup>

**NOTE:** The declared vibration total value(s) has been measured in accordance with a standard test method and may be used for comparing one tool with another.

**NOTE:** The declared vibration total value(s) may also be used in a preliminary assessment of exposure.

**⚠ WARNING:** The vibration emission during actual use of the power tool can differ from the declared value(s) depending on the ways in which the tool is used especially what kind of workpiece is processed.

**⚠ WARNING:** Be sure to identify safety measures to protect the operator that are based on an estimation of exposure in the actual conditions of use (taking account of all parts of the operating cycle such as the times when the tool is switched off and when it is running idle in addition to the trigger time).

## EC Declaration of Conformity

### For European countries only

The EC declaration of conformity is included as Annex A to this instruction manual.

# SAFETY WARNINGS

## General power tool safety warnings

**⚠ WARNING:** Read all safety warnings, instructions, illustrations and specifications provided with this power tool. Failure to follow all instructions listed below may result in electric shock, fire and/or serious injury.

## Save all warnings and instructions for future reference.

The term "power tool" in the warnings refers to your mains-operated (corded) power tool or battery-operated (cordless) power tool.

## Safety instructions for mitre saws

- Mitre saws are intended to cut wood or wood-like products, they cannot be used with abrasive cut-off wheels for cutting ferrous material such as bars, rods, studs, etc.** Abrasive dust causes moving parts such as the lower guard to jam. Sparks from abrasive cutting will burn the lower guard, the kerf insert and other plastic parts.
- Use clamps to support the workpiece whenever possible. If supporting the workpiece by hand, you must always keep your hand at least 100 mm from either side of the saw blade. Do not use this saw to cut pieces that are too small to be securely clamped or held by hand.** If your hand is placed too close to the saw blade, there is an increased risk of injury from blade contact.
- The workpiece must be stationary and clamped or held against both the fence and the table. Do not feed the workpiece into the blade or cut "freehand" in any way.** Unrestrained or moving workpieces could be thrown at high speeds, causing injury.
- Never cross your hand over the intended line of cutting either in front or behind the saw blade.** Supporting the workpiece "cross handed" i.e. holding the workpiece to the right of the saw blade with your left hand or vice versa is very dangerous.  
► Fig.1
- Do not reach behind the fence with either hand closer than 100 mm from either side of the saw blade, to remove wood scraps, or for any other reason while the blade is spinning.** The proximity of the spinning saw blade to your hand may not be obvious and you may be seriously injured.
- Inspect your workpiece before cutting. If the workpiece is bowed or warped, clamp it with the outside bowed face toward the fence. Always make certain that there is no gap between the workpiece, fence and table along the line of the cut.** Bent or warped workpieces can twist or shift and may cause binding on the spinning saw blade while cutting. There should be no nails or foreign objects in the workpiece.

7. **Do not use the saw until the table is clear of all tools, wood scraps, etc., except for the workpiece.** Small debris or loose pieces of wood or other objects that contact the revolving blade can be thrown with high speed.
  8. **Cut only one workpiece at a time.** Stacked multiple workpieces cannot be adequately clamped or braced and may bind on the blade or shift during cutting.
  9. **Ensure the mitre saw is mounted or placed on a level, firm work surface before use.** A level and firm work surface reduces the risk of the mitre saw becoming unstable.
  10. **Plan your work. Every time you change the bevel or mitre angle setting, make sure the adjustable fence is set correctly to support the workpiece and will not interfere with the blade or the guarding system.** Without turning the tool "ON" and with no workpiece on the table, move the saw blade through a complete simulated cut to assure there will be no interference or danger of cutting the fence.
  11. **Provide adequate support such as table extensions, saw horses, etc. for a workpiece that is wider or longer than the table top.** Workpieces longer or wider than the mitre saw table can tip if not securely supported. If the cut-off piece or workpiece tips, it can lift the lower guard or be thrown by the spinning blade.
  12. **Do not use another person as a substitute for a table extension or as additional support.** Unstable support for the workpiece can cause the blade to bind or the workpiece to shift during the cutting operation pulling you and the helper into the spinning blade.
  13. **The cut-off piece must not be jammed or pressed by any means against the spinning saw blade.** If confined, i.e. using length stops, the cut-off piece could get wedged against the blade and thrown violently.
  14. **Always use a clamp or a fixture designed to properly support round material such as rods or tubing.** Rods have a tendency to roll while being cut, causing the blade to "bite" and pull the work with your hand into the blade.
  15. **Let the blade reach full speed before contacting the workpiece.** This will reduce the risk of the workpiece being thrown.
  16. **If the workpiece or blade becomes jammed, turn the mitre saw off. Wait for all moving parts to stop and disconnect the plug from the power source and/or remove the battery pack. Then work to free the jammed material.** Continued sawing with a jammed workpiece could cause loss of control or damage to the mitre saw.
  17. **After finishing the cut, release the switch, hold the saw head down and wait for the blade to stop before removing the cut-off piece.** Reaching with your hand near the coasting blade is dangerous.
  18. **Hold the handle firmly when making an incomplete cut or when releasing the switch before the saw head is completely in the down position.** The braking action of the saw may cause the saw head to be suddenly pulled downward, causing a risk of injury.
  19. **Only use the saw blade with the diameter that is marked on the tool or specified in the manual.** Use of an incorrectly sized blade may affect the proper guarding of the blade or guard operation which could result in serious personal injury.
  20. **Only use the saw blades that are marked with a speed equal or higher than the speed marked on the tool.**
  21. **Do not use the saw to cut other than wood, aluminum or similar materials.**
  22. **(For European countries only) Always use the blade which conforms to EN847-1.**
- Additional instructions**
1. **Make workshop kid proof with padlocks.**
  2. **Never stand on the tool.** Serious injury could occur if the tool is tipped or if the cutting tool is unintentionally contacted.
  3. **Never leave the tool running unattended. Turn the power off. Do not leave tool until it comes to a complete stop.**
  4. **Do not operate saw without guards in place. Check blade guard for proper closing before each use. Do not operate saw if blade guard does not move freely and close instantly. Never clamp or tie the blade guard into the open position.**
  5. **Keep hands out of path of saw blade. Avoid contact with any coasting blade. It can still cause severe injury.**
  6. **Always secure all moving portions before carrying the tool.**
  7. **Stopper pin which locks the cutter head down is for carrying and storage purposes only and not for any cutting operations.**
  8. **Check the blade carefully for cracks or damage before operation. Replace cracked or damaged blade immediately. Gum and wood pitch hardened on blades slows saw and increases potential for kickback. Keep blade clean by first removing it from tool, then cleaning it with gum and pitch remover, hot water or kerosene. Never use gasoline to clean blade.**
  9. **Use only flanges specified for this tool.**
  10. **Be careful not to damage the arbor, flanges (especially the installing surface) or bolt. Damage to these parts could result in blade breakage.**
  11. **Make sure that the turn base is properly secured so it will not move during operation. Use the holes in the base to fasten the saw to a stable work platform or bench. NEVER use tool where operator positioning would be awkward.**
  12. **Make sure the shaft lock is released before the switch is turned on.**
  13. **Be sure that the blade does not contact the turn base in the lowest position.**
  14. **Hold the handle firmly. Be aware that the saw moves up or down slightly during start-up and stopping.**
  15. **Make sure the blade is not contacting the workpiece before the switch is turned on.**
  16. **Before using the tool on an actual workpiece, let it run for a while. Watch for vibration or wobbling that could indicate poor installation or a poorly balanced blade.**

17. **Stop operation immediately if you notice anything abnormal.**
18. **Do not attempt to lock the trigger in the "ON" position.**
19. **Always use accessories recommended in this manual. Use of improper accessories such as abrasive wheels may cause an injury.**
20. **Some material contains chemicals which may be toxic. Take caution to prevent dust inhalation and skin contact. Follow material supplier safety data.**

#### Additional safety rules for the laser

1. **LASER RADIATION, DO NOT STARE INTO THE BEAM OR VIEW DIRECTLY WITH OPTICAL INSTRUMENTS, CLASS 2M LASER PRODUCT.**

## SAVE THESE INSTRUCTIONS.

**⚠WARNING:** DO NOT let comfort or familiarity with product (gained from repeated use) replace strict adherence to safety rules for the subject product. MISUSE or failure to follow the safety rules stated in this instruction manual may cause serious personal injury.

### Important safety instructions for battery cartridge

1. **Before using battery cartridge, read all instructions and cautionary markings on (1) battery charger, (2) battery, and (3) product using battery.**
  2. **Do not disassemble or tamper with the battery cartridge.** It may result in a fire, excessive heat, or explosion.
  3. **If operating time has become excessively shorter, stop operating immediately.** It may result in a risk of overheating, possible burns and even an explosion.
  4. **If electrolyte gets into your eyes, rinse them out with clear water and seek medical attention right away.** It may result in loss of your eyesight.
  5. **Do not short the battery cartridge:**
    - (1) **Do not touch the terminals with any conductive material.**
    - (2) **Avoid storing battery cartridge in a container with other metal objects such as nails, coins, etc.**
    - (3) **Do not expose battery cartridge to water or rain.**
- A battery short can cause a large current flow, overheating, possible burns and even a breakdown.**
6. **Do not store and use the tool and battery cartridge in locations where the temperature may reach or exceed 50 °C (122 °F).**
  7. **Do not incinerate the battery cartridge even if it is severely damaged or is completely worn out.** The battery cartridge can explode in a fire.
  8. **Do not nail, cut, crush, throw, drop the battery cartridge, or hit against a hard object to the battery cartridge.** Such conduct may result in a fire, excessive heat, or explosion.
  9. **Do not use a damaged battery.**
10. **The contained lithium-ion batteries are subject to the Dangerous Goods Legislation requirements.** For commercial transports e.g. by third parties, forwarding agents, special requirement on packaging and labeling must be observed. For preparation of the item being shipped, consulting an expert for hazardous material is required. Please also observe possibly more detailed national regulations.
    - Tape or mask off open contacts and pack up the battery in such a manner that it cannot move around in the packaging.
  11. **When disposing the battery cartridge, remove it from the tool and dispose of it in a safe place.** Follow your local regulations relating to disposal of battery.
  12. **Use the batteries only with the products specified by Makita.** Installing the batteries to non-compliant products may result in a fire, excessive heat, explosion, or leak of electrolyte.
  13. **If the tool is not used for a long period of time, the battery must be removed from the tool.**
  14. **During and after use, the battery cartridge may take on heat which can cause burns or low temperature burns.** Pay attention to the handling of hot battery cartridges.
  15. **Do not touch the terminal of the tool immediately after use as it may get hot enough to cause burns.**
  16. **Do not allow chips, dust, or soil stuck into the terminals, holes, and grooves of the battery cartridge.** It may cause heating, catching fire, burst and malfunction of the tool or battery cartridge, resulting in burns or personal injury.
  17. **Unless the tool supports the use near high-voltage electrical power lines, do not use the battery cartridge near high-voltage electrical power lines.** It may result in a malfunction or breakdown of the tool or battery cartridge.
  18. **Keep the battery away from children.**

## SAVE THESE INSTRUCTIONS.

**⚠CAUTION:** Only use genuine Makita batteries. Use of non-genuine Makita batteries, or batteries that have been altered, may result in the battery bursting causing fires, personal injury and damage. It will also void the Makita warranty for the Makita tool and charger.

## Tips for maintaining maximum battery life

1. **Charge the battery cartridge before completely discharged.** Always stop tool operation and charge the battery cartridge when you notice less tool power.
2. **Never recharge a fully charged battery cartridge.** Overcharging shortens the battery service life.
3. **Charge the battery cartridge with room temperature at 10 °C - 40 °C (50 °F - 104 °F).** Let a hot battery cartridge cool down before charging it.
4. **When not using the battery cartridge, remove it from the tool or the charger.**
5. **Charge the battery cartridge if you do not use it for a long period (more than six months).**



# PARTS DESCRIPTION

## ► Fig.2

1	Lock-off button	2	Switch trigger	3	Handle	4	Blade case
5	Blade	6	Blade guard	7	Sub-fence	8	Small sub-fence
9	Base	10	Turn base	11	Guide fence	12	Vertical vice
13	Dust bag	14	Dust nozzle	15	Center cover	-	-

## ► Fig.3

16	Lamp	17	Battery cartridge	18	Hex wrench	19	Release lever
20	Lever (for bevel angle adjustment)	21	Kerf board	22	Lower limit adjusting bolt	23	Lamp switch
24	Laser switch	-	-	-	-	-	-

## INSTALLATION

### Bench mounting

**⚠ WARNING:** Ensure that the tool does not move on the supporting surface. Movement of the miter saw on the supporting surface while cutting may result in loss of control and serious personal injury.

1. Fix the base to a level and stable surface, screwing with two bolts. This helps to prevent from tipping and possible injury.

► Fig.4: 1. Bolt

## FUNCTIONAL DESCRIPTION

**⚠ WARNING:** Always be sure that the tool is switched off and the battery cartridge is removed before adjusting or checking the functions on the tool. Failure to switch off and remove the battery cartridge may result in serious personal injury from accidental start-up.

### Installing or removing battery cartridge

**⚠ CAUTION:** Always switch off the tool before installing or removing of the battery cartridge.

**⚠ CAUTION:** Hold the tool and the battery cartridge firmly when installing or removing battery cartridge. Failure to hold the tool and the battery cartridge firmly may cause them to slip off your hands and result in damage to the tool and battery cartridge and a personal injury.

► Fig.5: 1. Red indicator 2. Button 3. Battery cartridge

To remove the battery cartridge, slide it from the tool while sliding the button on the front of the cartridge.

To install the battery cartridge, align the tongue on the battery cartridge with the groove in the housing and slip it into place. Insert it all the way until it locks in place with a little click. If you can see the red indicator on the upper side of the button, it is not locked completely.

**⚠ CAUTION:** Always install the battery cartridge fully until the red indicator cannot be seen. If not, it may accidentally fall out of the tool, causing injury to you or someone around you.

**⚠ CAUTION:** Do not install the battery cartridge forcibly. If the cartridge does not slide in easily, it is not being inserted correctly.

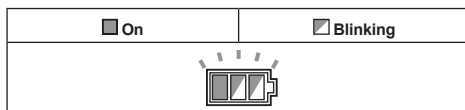
### Tool / battery protection system

The tool is equipped with a tool/battery protection system. This system automatically cuts off power to the motor to extend tool and battery life. The tool will automatically stop during operation if the tool or battery is placed under one of the following conditions:

#### Overload protection

When the tool is operated in a manner that causes it to draw an abnormally high current, the tool automatically stops without any indication. In this situation, turn the tool off and stop the application that caused the tool to become overloaded. Then turn the tool on to restart.

#### Overheat protection



When the tool is overheated, the tool stops automatically, and the battery indicator blinks about 60 seconds. In this situation, let the tool cool down before turning the tool on again.

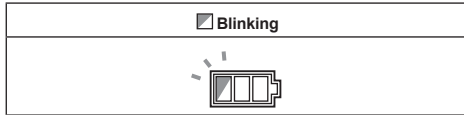
#### Overdischarge protection

When the battery capacity becomes low, the tool stops automatically. If the product does not operate even when the switches are operated, remove the batteries from the tool and charge the batteries.



## Canceling lock by protection system

If the protection system is activated repeatedly, the tool is locked and the battery indicator blinks.



In this case, turn off the switch and remove the cause which is activating the protection system, and then turn on the switch again. If the tool does not work after turning on the switch again, remove the battery cartridge and charge it.

## Indicating the remaining battery capacity

► Fig.6: 1. Battery indicator

When you pull the switch trigger, the battery indicator indicates the remaining battery capacity.

Battery indicator status			Remaining battery capacity
On	Off	Blinking	
			50% to 100%
			20% to 50%
			0% to 20%
			Charge the battery

## Indicating the remaining battery capacity

**Only for battery cartridges with the indicator**

► Fig.7: 1. Indicator lamps 2. Check button

Press the check button on the battery cartridge to indicate the remaining battery capacity. The indicator lamps light up for a few seconds.

Indicator lamps			Remaining capacity
Lighted	Off	Blinking	
			75% to 100%
			50% to 75%
			25% to 50%
			0% to 25%
			Charge the battery.

Indicator lamps			Remaining capacity
Lighted	Off	Blinking	
			The battery may have malfunctioned.

**NOTE:** Depending on the conditions of use and the ambient temperature, the indication may differ slightly from the actual capacity.

**NOTE:** The first (far left) indicator lamp will blink when the battery protection system works.

## Automatic speed change function

► Fig.8: 1. Mode indicator

Mode indicator status	Operation mode
	High speed mode
	High torque mode

This tool has "high speed mode" and "high torque mode". It automatically changes operation mode depending on the work load. When mode indicator lights up during operation, the tool is in high torque mode.

## Stopper pin

**CAUTION:** Always hold the handle when releasing the stopper pin. Otherwise the handle springs up and it may result in personal injury.

To release the stopper pin, keep applying a slight downward pressure on the handle and then pulling the stopper pin.

► Fig.9: 1. Stopper pin

## Blade guard

**WARNING:** Never defeat or remove the blade guard or the spring which attaches to the guard. An exposed blade as a result of defeated guarding may result in serious personal injury during operation.

**WARNING:** Never use the tool if the blade guard or spring are damaged, faulty or removed. Operation of the tool with a damaged, faulty or removed guard may result in serious personal injury.

**CAUTION:** Always maintain the blade guard in good condition for safe operation. Stop the operation immediately if there are any irregularity of the blade guard. Check to assure spring loaded return action of guard.

► Fig.10: 1. Blade guard

When lowering the handle, the blade guard raises automatically. The guard is spring loaded so it returns to its original position when the cut is completed and the handle is raised.

## Cleaning

### ► Fig.11: 1. Blade guard

If the transparent blade guard becomes dirty, or sawdust adheres to it in such a way that the blade and/or workpiece is no longer easily visible, remove the battery cartridge and clean the guard carefully with a damp cloth. Do not use solvents or any petroleum-based cleaners on the plastic guard because this may cause damage to the guard.

For cleaning, raise the blade guard by referring to "Installing or removing saw blade".

After cleaning, make sure to return the blade and center cover and tighten the hex socket bolt.

1. Make sure that the tool is switched off and the battery cartridges are removed.
2. Turn the hex socket bolt counterclockwise using the supplied hex wrench with holding the center cover.
3. Raise the blade guard and center cover.
4. When cleaning is complete, return the center cover and tighten the hex socket bolt by performing the steps above in reverse.

**⚠ WARNING: Do not remove spring holding blade guard.** If guard becomes damaged in course of time or UV light exposure, contact a Makita service center for replacement. **DO NOT DEFEAT OR REMOVE GUARD.**

## Positioning kerf board

This tool is provided with the kerf boards in the turn base to minimize tearing on the exit side of a cut. The kerf boards are factory adjusted so that the saw blade does not contact the kerf boards. Before use, adjust the kerf boards as follows:

1. Make sure to remove the battery cartridge. Then, loosen all the screws (2 each on left and right) securing the kerf boards.

### ► Fig.12: 1. Kerf board 2. Screw

2. Re-tighten them only to the extent that the kerf boards can still be easily moved by hand.
3. Lower the handle fully and push in the stopper pin to lock the handle in the lowered position.
4. Adjust the kerf boards so that the kerf boards just contact the sides of the blade teeth.

### ► Fig.13

### ► Fig.14: 1. Saw blade 2. Blade teeth 3. Kerf board 4. Left bevel cut 5. Straight cut

5. Tighten the screws (do not tighten firmly).
6. After adjusting the kerf boards, release the stopper pin and raise the handle. Then tighten all the screws securely.

**NOTICE: After setting the bevel angle ensure that the kerf boards are adjusted properly.** Correct adjustment of the kerf boards helps to provide proper support of the workpiece and minimizing workpiece tear out.

## Maintaining maximum cutting capacity

This tool is factory adjusted to provide the maximum cutting capacity for a 165 mm saw blade. When installing a new blade, always check the lower limit position of the blade, and if necessary, adjust it as follows:

1. Remove the battery cartridge. Lower the handle completely.
2. Use the hex wrench to turn the lower limit adjusting bolt until the saw blade comes slightly below the cross section of the guide fence and the top surface of the turn base.

### ► Fig.15: 1. Adjusting bolt

### ► Fig.16: 1. Guide fence

3. Rotate the blade by hand while holding the handle all the way down to be sure that the blade does not contact any part of the lower base. Re-adjust slightly, if necessary.

**⚠ WARNING: After installing a new blade and with the battery cartridge removed, always be sure that the blade does not contact any part of the lower base when the handle is lowered completely.** If a blade makes contact with the base, it may cause kickback and result in serious personal injury.

### ► Fig.17

## Sub-fence

### Country specific

This tool is equipped with the sub-fence and small sub-fences.

## Sub-fence

**⚠ WARNING: Always remove sub-fence when performing bevel cuts.** Failure to do so may cause serious injury.

### ► Fig.18: 1. Sub-fence

When performing cuts except for bevel cuts, use the sub-fence to support the workpiece.

## Small sub-fence

**⚠ CAUTION: When performing right bevel cuts, fold the small sub-fences.** Otherwise, they may contact the blade or a part of the tool, and may result in serious injury to the operator.

### ► Fig.19: 1. Small sub-fence 2. Scale

When performing vertical cut or left bevel cut, flip them upward to support the workpiece. The guide fence has a scale of 10 mm interval.

## Adjusting the miter angle

- **Fig.20:** 1. Fixing screw 2. Turn base 3. Miter scale 4. Pointer
1. Loosen the fixing screw counterclockwise.
  2. Adjust the angle of the turn base. Use the pointer and the miter scale as a guide.
  3. Tighten the fixing screw clockwise firmly.

**⚠ CAUTION:** After changing the miter angle, always secure the turn base by tightening the fixing screw firmly.

**NOTICE:** When turning the turn base, be sure to raise the handle fully.

## Adjusting the bevel angle

To adjust the bevel angle, turn the lever at the rear of the tool downward.

- **Fig.21:** 1. Lever

To tilt the blade to the left, hold the handle and tilt the saw head. Use the bevel scale and the pointer as a guide. Then turn the lever upward firmly to secure the saw head.

- **Fig.22:** 1. Pointer 2. Bevel scale

To tilt the blade to the right, hold the handle and tilt the saw head to the left slightly, and push the release button. With the release button pressed, tilt the saw blade to the right. Turn the lever upward firmly to secure the saw head.

- **Fig.23:** 1. Release button

**⚠ CAUTION:** After changing the bevel angle, always secure the saw head by turning the lever upward firmly.

**NOTICE:** When tilting the saw blade, be sure the handle is fully raised.

**NOTICE:** When changing bevel angles, be sure to position the kerf boards appropriately as explained in the "Positioning kerf boards" section.

## Setting 46° bevel angle

1. Loosen the lever and tilt the blade to the left or right fully.  
► **Fig.24:** 1. Lever
2. To tilt the blade to the left, hold the handle and tilt the saw head to the right slightly, and then move the release lever to the direction of the arrow. The bevel angle can be adjusted between 45° to 46° by tilting the saw head while moving the release lever.  
To tilt the blade to the right, hold the handle and tilt the saw head to the left slightly, and then move the release lever to the direction of the arrow. The bevel angle can be adjusted between 45° to 46° by tilting the saw head while moving the release lever.  
► **Fig.25:** 1. Lever 2. Release lever
3. Turn the lever upward firmly to secure the saw head.

## Adjusting the lever position

If the lever does not provide full tightening in course of time, change the position of the lever. The lever can be repositioned at every 30° angle.

Loosen and remove the screw that secures the lever. Remove the lever and install it again so that it points slightly above the horizontal. Then, tighten the lever with the screw firmly.

- **Fig.26:** 1. Lever 2. Screw

## Switch action

**⚠ WARNING:** Before installing the battery cartridge on the tool, always check to see that the switch trigger actuates properly and returns to the "OFF" position when released. Operating a tool with a switch that does not actuate properly can lead to loss of control and serious personal injury.

**⚠ WARNING:** NEVER use tool without a fully operative switch trigger. Any tool with an inoperative switch is HIGHLY DANGEROUS and must be repaired before further usage or serious personal injury may occur.

**⚠ WARNING:** For your safety, this tool is equipped with a lock-off button which prevents the tool from unintended starting. **NEVER use the tool if it runs when you simply pull the switch trigger without pressing the lock-off button.** A switch in need of repair may result in unintentional operation and serious personal injury. Return tool to a Makita service center for proper repairs BEFORE further usage.

**⚠ WARNING:** NEVER defeat the lock-off button by taping down or some other means. A switch with a negated lock-off button may result in unintentional operation and serious personal injury.

**NOTICE:** Do not pull the switch trigger hard without pressing in the lock-off button. This can cause switch breakage.

To prevent the switch trigger from being accidentally pulled, a lock-off button is provided. To start the tool, press in the lock-off button and pull the switch trigger. Release the switch trigger to stop.

- **Fig.27:** 1. Lock-off button 2. Hole for padlock 3. Switch trigger

## Lighting up the lamp

**⚠ CAUTION:** This is not a rainproof light. Do not wash the light in water or use it in a rain or a wet area. Such a conduct can cause an electric shock and fume.

**⚠ CAUTION:** Do not touch the lens of the light, as it is very hot while it is lighted or shortly after it is turned off. This may cause a burn to a human body.

**⚠ CAUTION:** Do not apply impact to the light, which may cause damage or shorted service time to it.

**⚠ CAUTION:** Do not keep casting the beam of the light to your eyes. This can cause your eyes to be hurt.

**⚠ CAUTION:** Do not cover the light with clothes, carton, cardboard or similar objects while it is lighted, which can cause a fire or an ignition.

**⚠ CAUTION:** Do not look in the light or see the source of light directly.

To turn on the lamp, press the upper position (I) of the switch. To turn off the lamp, press the lower position (O) of the switch.

► Fig.28: 1. Lamp 2. Lamp switch

**NOTE:** Use a dry cloth to wipe the dirt off the lens of the lamp. Be careful not to scratch the lens of lamp, or it may lower the illumination.

**NOTE:** Be sure to turn off the switch as turning on the switch consumes the battery power.

## Laser beam action

**⚠ CAUTION:** Never look into the laser beam. Direct laser beam may injure your eyes.

To turn on the laser beam, press the upper position (I) of the switch. To turn off the laser beam, press the lower position (O) of the switch.

► Fig.29: 1. Laser switch

**NOTE:** Be sure to turn off the switch as turning on the switch consumes the battery power.

Laser line can be shifted to either the left or right side of the circular saw blade by turning the adjusting screw as follows.

► Fig.30: 1. Adjusting screw

1. Loosen the adjusting screw by turning it counterclockwise.
2. With the adjusting screw loosened, slide the adjusting screw to the right or left as far as it goes.
3. Tighten the adjusting screw firmly at the position where it stops sliding.

**NOTE:** Laser line is factory adjusted so that it is positioned within 1 mm from the side surface of the circular saw blade (cutting position).

**NOTE:** When laser line appears dim and hard to see because of direct sunlight, relocate the work area to a place where there is less direct sunlight.

## Aligning the laser line

Align the cutting line on your workpiece with the laser line.

► Fig.31

A) When you want to obtain the correct size on the left side of workpiece, shift the laser line to the left of the circular saw blade.

B) When you want to obtain the correct size on the right side of workpiece, shift the laser line to the right of the circular saw blade.

## ASSEMBLY

**⚠ WARNING:** Always be sure that the tool is switched off and the battery cartridge is removed before working on the tool. Failure to switch off and remove the battery cartridge may result in serious personal injury.

## Hex wrench storage

The hex wrench is stored as shown in the figure. When the hex wrench is needed it can be pulled out of the wrench holder.

After using the hex wrench it can be stored by returning it to the wrench holder.

► Fig.32: 1. Wrench holder 2. Hex wrench

## Installing or removing saw blade

**⚠ WARNING:** Always be sure that the tool is switched off and the battery cartridge is removed before installing or removing the blade. Accidental start up of the tool may result in serious personal injury.

**⚠ CAUTION:** Use only the Makita hex wrench provided to install or remove the blade. Failure to do so may result in overtightening or insufficient tightening of the hex socket bolt. This could cause an injury.

To remove the blade, perform the following steps:

1. Release the stopper pin, and then lock the handle in the raised position by pushing in the stopper pin.

► Fig.33: 1. Stopper pin

2. Use the hex wrench to loosen the hex socket bolt holding the center cover by turning it counterclockwise. Then, raise the blade guard and center cover.

► Fig.34: 1. Center cover 2. Hex socket bolt 3. Hex wrench 4. Blade guard

3. Press the shaft lock to lock the spindle and use the hex wrench to loosen the hex socket bolt clockwise. Then remove the hex socket bolt of the spindle, outer flange and blade.

► Fig.35: 1. Shaft lock 2. Hex socket bolt 3. Outer flange

4. If the inner flange is removed, install it on the spindle with its blade mounting part facing the blade. If the flange is installed incorrectly the flange will rub against the machine.

► Fig.36: 1. Outer flange 2. Saw blade 3. Inner flange 4. Hex socket bolt (left-handed) 5. Spindle 6. Blade mounting part

To install the blade, perform the following steps:

1. Mount the blade carefully onto the inner flange. Make sure that the direction of the arrow on the blade matches the direction of the arrow on the blade case.  
► **Fig.37:** 1. Saw blade 2. Arrow
2. Install the outer flange and hex socket bolt, and then use the hex wrench to tighten the hex socket bolt (left-handed) of the spindle securely counterclockwise while pressing the shaft lock.
3. Return the blade guard and center cover to its original position. Then tighten the hex socket bolt of the center cover clockwise to secure the center cover.
4. Release the handle from the raised position by pulling the stopper pin. Lower the handle to make sure that the blade guard moves properly.
5. Make sure the shaft lock has released spindle before making cut.

## For tool with the inner flange for 15.88 mm hole-diameter saw blade

### Country specific

Mount the inner flange with its recessed side facing outward onto the mounting shaft and then place circular saw blade (with the ring attached if needed), outer flange and hex bolt.

### For tool without the ring

- **Fig.38:** 1. Outer flange 2. Saw blade 3. Inner flange  
4. Hex socket bolt (left-handed) 5. Spindle

### For tool with the ring

- **Fig.39:** 1. Outer flange 2. Saw blade 3. Inner flange  
4. Hex socket bolt (left-handed) 5. Ring  
6. Spindle

**⚠WARNING:** If the ring is needed to mount the blade onto the spindle, always be sure that the correct ring for the blade's arbor hole you intend to use is installed between the inner and the outer flanges. Use of the incorrect arbor hole ring may result in the improper mounting of the blade causing blade movement and severe vibration resulting in possible loss of control during operation and in serious personal injury.

## For tool with the inner flange for other than 20 mm or 15.88 mm hole-diameter saw blade

### Country specific

The inner flange has a certain diameter of a blade mounting part on one side of it and a different diameter of blade mounting part on the other side. Choose a correct side on which blade mounting part fits into the saw blade hole perfectly.

- **Fig.40:** 1. Outer flange 2. Saw blade 3. Inner flange  
4. Hex socket bolt (left-handed) 5. Spindle  
6. Blade mounting part

**⚠CAUTION:** Make sure that the blade mounting part "a" on the inner flange that is positioned outside fits into the saw blade hole "a" perfectly. Mounting the blade on the wrong side can result in the dangerous vibration.

## Dust bag

The use of the dust bag makes cutting operations cleaner and dust collection easier.

To attach the dust bag, fit it onto the dust nozzle. When the dust bag is about half full, remove the dust bag from the tool and pull the fastener out. Empty the dust bag of its contents, tapping it lightly so as to remove particles adhering to the insides which might hamper further collection.

- **Fig.41:** 1. Dust bag 2. Dust nozzle 3. Fastener

**NOTE:** If you connect a vacuum cleaner to your saw, cleaner operations can be performed.

- **Fig.42**

## Securing workpiece

**⚠WARNING:** It is extremely important to always secure the workpiece correctly with the vise. Failure to do so may result in serious personal injury and cause damage to the tool and/or the workpiece.

**⚠WARNING:** When cutting a workpiece that is longer than the support base of the saw, the material should be supported the entire length beyond the support base and at the same height to keep the material level. Proper workpiece support will help avoid blade pinch and possible kickback which may result in serious personal injury. Do not rely solely on the vertical vise and/or horizontal vise to secure the workpiece. Thin material tends to sag. Support workpiece over its entire length to avoid blade pinch and possible KICKBACK.

- **Fig.43:** 1. Support 2. Turn base

## Vertical vise

**⚠WARNING:** Secure the workpiece firmly against the turn base and guide fence with the vise during all operations. Otherwise the material may move during the cutting operation, cause damage to the blade, and be thrown which may result in loss of control and serious personal injury.

Install the vertical vise on either the left or right side of the guide fence. Insert the vise rod into the hole in the guide fence and tighten the lower screw to secure the vise rod.

- **Fig.44:** 1. Vise arm 2. Vise knob 3. Guide fence  
4. Turn base 5. Lower screw 6. Upper screw  
7. Vise rod

Position the vise arm according to the thickness and shape of the workpiece and secure the vise arm by tightening the upper screw. If the upper screw contacts the guide fence, install the upper screw on the opposite side of vise arm. Make sure that no part of the tool contacts the vise when lowering the handle fully. If some part contacts the vise, re-position the vise. Press the workpiece flat against the guide fence and the turn base. Position the workpiece at the desired cutting position and secure it firmly by tightening the vise knob.

## Attaching the shoulder strap

### Optional accessory

**⚠ CAUTION:** Be sure to remove the shoulder strap before operating the tool. The shoulder strap may be entangled and cause injury.

**⚠ CAUTION:** Be sure to attach the hooks of the shoulder strap to the tool securely. If the hooks are attached incompletely, they may come off and cause injury.

The shoulder strap is convenient for transporting the tool. Attach the hooks of the shoulder strap to the tool as shown in the figure.

► Fig.45: 1. Shoulder strap 2. Hook

## OPERATION

This tool is intended to cut wood products. With appropriate Makita genuine saw blades, following materials can also be sawed :

— Aluminum products

Refer to our website or contact your local Makita dealer for the correct circular saw blades to be used for the material to be cut.

**⚠ WARNING:** Make sure the blade is not contacting the workpiece, etc. before the switch is turned on. Turning the tool on with the blade in contact with the workpiece may result in kickback and serious personal injury.

**⚠ WARNING:** After a cutting operation, do not raise the blade until it has come to a complete stop. The raising of a coasting blade may result in serious personal injury and damage to the workpiece.

**⚠ CAUTION:** Do not release the saw head uncontrolled from the fully down position. Uncontrolled saw head may hit you and it will result in personal injury.

**NOTICE:** Before use, be sure to release the handle from the lowered position by pulling the stopper pin.

**NOTICE:** Do not apply excessive pressure on the handle when cutting. Too much force may result in overload of the motor and/or decreased cutting efficiency. Press down handle with only as much force as necessary for smooth cutting and without significant decrease in blade speed.

**NOTICE:** Gently press down the handle to perform the cut. If the handle is pressed down with force or if lateral force is applied, the blade may vibrate and leave a mark (saw mark) in the workpiece and the precision of the cut may be impaired.

## Press cutting (cutting small workpieces)

### ► Fig.46

Workpieces up to 46 mm high and 92 mm wide can be cut in the following manner.

1. Secure the workpiece with the vise.
2. Switch on the tool without the blade making any contact and wait until the blade attains full speed before lowering.
3. Gently lower the handle to the fully lowered position to cut the workpiece.
4. When the cut is completed, switch off the tool and **wait until the blade has come to a complete stop** before returning the blade to its fully elevated position.

## Miter cutting

Refer to the section for adjusting the miter angle.

## Bevel cut

**⚠ WARNING:** After setting the blade for a bevel cut, before operating the tool ensure that the saw head and blade will have free travel throughout the entire range of the intended cut. Interruption of the saw head or blade travel during the cutting operation may result in kickback and serious personal injury.

**⚠ WARNING:** While making a bevel cut keep hands out of the path of the blade. The angle of the blade may confuse the operator as to the actual blade path while cutting and contact with the blade will result in serious personal injury

**⚠ WARNING:** The blade should not be raised until it has come to a complete stop. During a bevel cut the piece cut off may come to rest against the blade. If the blade is raised while it is rotating the cut-off piece maybe ejected by the blade causing the material to fragment which may result in serious personal injury.

**⚠ WARNING:** Always remove sub-fence when performing bevel cuts. Failure to do so may cause serious injury.

### ► Fig.47

1. Loosen the lever and tilt the saw blade to set the bevel angle (Refer to the previously covered "Adjusting the bevel angle"). Be sure to retighten the lever firmly to secure the selected bevel angle safely.
2. Secure the workpiece with the vise.
3. Switch on the tool without the blade making any contact and wait until the blade attains full speed.
4. Gently lower the handle to the fully lowered position while applying pressure in parallel with the blade to cut the workpiece.
5. When the cut is completed, switch off the tool and **wait until the blade has come to a complete stop** before returning the blade to its fully elevated position.

**NOTICE:** When pressing down the handle, apply pressure in parallel with the blade. If a force is applied perpendicularly to the turn base or if the pressure direction is changed during a cut, the precision of the cut will be impaired.

## Compound cutting

Compound cutting is the process in which a bevel angle is made at the same time in which a miter angle is being cut on a workpiece. Compound cutting can be performed at the angle shown in the table.

Miter angle	Bevel angle
Left and right 45°	Left and right 0° - 45°
Right 52°	Left 20° - Right 45°
Left 52°	Left 45° - Right 20°

When performing compound cutting, refer to "Press cutting", "Miter cutting" and "Bevel cut" explanations.

## Cutting aluminum extrusion

- **Fig.48:** 1. Vise 2. Spacer block 3. Guide fence  
4. Aluminum extrusion 5. Spacer block

When securing aluminum extrusions, use spacer blocks or pieces of scrap as shown in the figure to prevent deformation of the aluminum. Use a cutting lubricant when cutting the aluminum extrusion to prevent build-up of the aluminum material on the blade.

**CAUTION:** Never attempt to cut thick or round aluminum extrusions. Thick aluminum extrusions may come loose during operation and round aluminum extrusions cannot be secured firmly with this tool.

## Cutting repetitive lengths

When cutting several pieces of stock to the same length, ranging from 200 mm to 330 mm, use the set plate (optional accessory). Install the set plate on the holder (optional accessory) as shown in the figure.

- **Fig.49:** 1. Set plate 2. Holder 3. Screw

Align the cutting line on your workpiece with either the left or right side of the groove in the kerf board, and while holding the workpiece, move the set plate flush against the end of the workpiece. Then secure the set plate with the screw. When the set plate is not used, loosen the screw and turn the set plate out of the way.

## Carrying tool

**WARNING:** Stopper pin is only for carrying and storage purposes and should never be used for any cutting operations. The use of the stopper pin for cutting operations may cause unexpected movement of the saw blade resulting in kickback and serious personal injury.

**CAUTION:** Always secure all moving portions before carrying the tool. If portions of the tool move while being carried loss of control or balance may occur resulting in personal injury.

1. Remove the battery cartridge.
2. Secure the blade at 0° bevel angle and the turn base at the full right miter angle position.  
► **Fig.50:** 1. Turn base
3. Lower the handle fully and lock it in the lowered position by pushing in the stopper pin.
4. Carry the tool by holding the handle.  
► **Fig.51**

## MAINTENANCE

**WARNING:** Always be sure that the blade is sharp and clean for the best and safest performance. Attempting a cut with a dull and /or dirty blade may cause kickback and result in a serious personal injury.

**CAUTION:** Always be sure that the tool is switched off and the battery cartridge is removed before attempting to perform inspection or maintenance.

**NOTICE:** Never use gasoline, benzine, thinner, alcohol or the like. Discoloration, deformation or cracks may result.

To maintain product SAFETY and RELIABILITY, repairs, any other maintenance or adjustment should be performed by Makita Authorized or Factory Service Centers, always using Makita replacement parts.

## Adjusting the cutting angle

This tool is carefully adjusted and aligned at the factory, but rough handling may have affected the alignment. If your tool is not aligned properly, perform the following:

### Miter angle

1. Loosen the fixing screw counterclockwise.
2. Rotate the turn base until the pointer indicates 0° on the miter scale.  
► **Fig.52:** 1. Fixing screw 2. Turn base 3. Miter scale 4. Pointer
3. Rotate the turn base slightly clockwise and counterclockwise to seat the turn base in the 0° miter notch. (Leave as it is if the pointer does not indicate 0°.)
4. Loosen the hex socket bolts securing the guide fence using the hex wrench.  
► **Fig.53:** 1. Guide fence 2. Hex socket bolt  
► **Fig.54:** 1. Guide fence 2. Hex socket bolt
5. Lower the handle fully and lock it in the lowered position by pushing in the stopper pin.
6. Adjust the guide fence until it makes a perpendicular angle with the blade using a triangular rule, try-square, etc. Then securely tighten the hex socket bolt on the guide fence.  
► **Fig.55:** 1. Guide fence 2. Triangular rule 3. Saw blade
7. Make sure that the pointer indicates 0° on the miter scale. If the pointer does not indicate 0°, loosen the screw which secures the pointer and adjust the pointer so that it indicates 0°.  
► **Fig.56:** 1. Screw 2. Miter scale 3. Pointer



## Bevel angle

### 0° bevel angle

1. Lower the handle fully and lock it in the lowered position by pushing in the stopper pin.
2. Loosen the lever at the rear of the tool.
3. Turn the 0° bevel angle adjusting bolt on the right side of the saw head two or three revolutions counterclockwise to tilt the blade to the right.  
▶ **Fig.57:** 1. Adjusting bolt 2. Lever

4. Turn the 0° bevel angle adjusting bolt clockwise carefully until the side of the blade makes a perpendicular angle with the top surface of the turn base. Use the triangular rule, try-square, etc. as a guide. Then tighten the lever securely.

▶ **Fig.58:** 1. Triangular rule 2. Saw blade 3. Top surface of turn table

5. Make sure that the pointer on the arm indicates 0° on the bevel scale. If it does not indicate 0°, loosen the screw which secures the pointer and adjust the pointer so that it indicates 0°.

▶ **Fig.59:** 1. Screw 2. Pointer 3. Bevel scale

### 45° bevel angle

Adjust the 45° bevel angle only after performing 0° bevel angle adjustment.

1. Loosen the lever and tilt the blade to the left fully.
2. Make sure that the pointer on the arm indicates 45° on the bevel scale. If the pointer does not indicate 45°, turn the left 45° bevel angle adjusting bolt on the right side of the arm until the pointer indicates 45°.

▶ **Fig.60:** 1. Right 45° bevel angle adjusting bolt  
2. Pointer 3. Left 45° bevel angle adjusting bolt

3. Tilt the blade to the right fully, and then adjust the right 45° bevel angle using the right 45° bevel angle adjusting bolt.

▶ **Fig.61:** 1. Saw blade 2. Triangular rule

## Adjusting the laser line position

**⚠WARNING:** The battery cartridge must be installed on the tool while adjusting the laser line. Take extra care not to switch on the tool during adjustment. Accidental start up of the tool may result in serious personal injury.

**⚠CAUTION:** Never look directly into the laser beam. Direct eye exposure to the beam could cause serious damage to your eyes.

**NOTICE:** Check the position of laser line regularly for accuracy.

**NOTICE:** Beware that impacts to the tool. It may cause the laser line to be misaligned or may cause damage to the laser, shortening its life.

**NOTICE:** Have the tool repaired by a Makita authorized service center for any failure on the laser unit.

The movable range of laser line is decided by the range adjustment screws on both sides. Perform following procedures to alter the laser line position.

1. Remove the battery cartridge.
2. Draw a cutting line on the workpiece and place it on the turn base. At this time, do not secure the workpiece with a vise or similar securing device.
3. Lower the handle and align the cutting line with the saw blade.

▶ **Fig.62:** 1. Cutting line

4. Return the handle to the original position and secure the workpiece with the vertical vise so that the workpiece does not move from the position you have determined.

▶ **Fig.63:** 1. Vise

5. Install the battery cartridge to the tool and turn on the laser switch.

6. Loosen the adjusting screw. To move the laser line away from the blade, turn the range adjustment screws counterclockwise. To move the laser line close to the blade, turn the range adjustment screw clockwise.

### Adjusting the laser line on the left side of the blade

▶ **Fig.64:** 1. Adjusting screw 2. Range adjustment screw 3. Hex wrench 4. Laser line 5. Saw blade

### Adjusting the laser line on the right side of the blade

▶ **Fig.65:** 1. Range adjustment screw 2. Hex wrench 3. Laser line 4. Saw blade

7. Slide the adjusting screw to the position that the laser line comes onto the cutting line and then tighten.

**NOTE:** The movable range of laser line is factory adjusted within 1 mm from the side surface of blade.

## Cleaning the laser light lens

The laser light becomes hard to see as the lens for the laser light gets dirty. Clean the lens for laser light periodically.

Remove the battery cartridge. Loosen the screw and pull out the lens. Clean the lens gently with a damp soft cloth.

▶ **Fig.66:** 1. Screw

▶ **Fig.67:** 1. Lens

**NOTICE:** Do not remove the screw which secures the lens. If the lens does not come out, loosen the screw further.

**NOTICE:** Do not use solvents or any petroleum-based cleaners on the lens.

## After use

After use, wipe off chips and dust adhering to the tool with a cloth or the like. Keep the blade guard clean according to the directions in the previously covered section titled "Blade guard". Lubricate the sliding portions with machine oil to prevent rust.



# OPTIONAL ACCESSORIES

**⚠WARNING:** These Makita accessories or attachments are recommended for use with your Makita tool specified in this manual. The use of any other accessories or attachments may result in serious personal injury.

**⚠WARNING:** Only use the Makita accessory or attachment for its stated purpose. Misuse of an accessory or attachment may result in serious personal injury.

If you need any assistance for more details regarding these accessories, ask your local Makita Service Center.

- Carbide-tipped saw blades
- Holder rod assembly
- Set plate
- Shoulder strap
- Makita genuine battery and charger

**NOTE:** Some items in the list may be included in the tool package as standard accessories. They may differ from country to country.

# SPÉCIFICATIONS

Modèle :	<b>DL5600</b>
Diamètre de lame	165 mm
Diamètre de l'orifice (alésage)	20 mm
Angle de coupe d'onglet max.	Gauche 52°, Droite 52°
Angle de coupe en biseau max.	Gauche 45° (46° si le levier de déverrouillage est utilisé), Droite 45° (46° si le levier de déverrouillage est utilisé)
Vitesse à vide	5 000 min <sup>-1</sup>
Type de laser	Laser rouge 650 nm, sortie maximale < 1,6 mW (Classe de laser 2M)
Dimensions (L x l x H)	340 mm x 400 mm x 440 mm
Tension nominale	18 V CC
Poids net	6,3 - 6,6 kg

## Capacités de coupe max. (H x l) avec une lame de 165 mm

Angle de coupe d'onglet	Angle de coupe en biseau		
	45° (gauche)	0°	45° (droite)
0°	30 mm x 92 mm	46 mm x 92 mm	15 mm x 92 mm
45° (gauche et droite)	30 mm x 65 mm	46 mm x 65 mm	15 mm x 65 mm

- Étant donné l'évolution constante de notre programme de recherche et de développement, les spécifications contenues dans ce manuel sont sujettes à modification sans préavis.
- Les spécifications et la batterie peuvent être différentes suivant les pays.
- Le poids peut être différent selon les accessoires, notamment la batterie. Les associations la plus légère et la plus lourde, conformément à la procédure EPTA 01/2014, sont indiquées dans le tableau.

## Batterie et chargeur applicables





Batterie	BL1815N / BL1820B / BL1830B / BL1840B / BL1850B / BL1860B
Chargeur	DC18RC / DC18RD / DC18RE / DC18SD / DC18SE / DC18SF / DC18SH

- Certains chargeurs et batteries répertoriés ci-dessus peuvent ne pas être disponibles selon la région où vous résidez.

**⚠ AVERTISSEMENT : N'utilisez que les batteries et les chargeurs répertoriés ci-dessus.** L'utilisation d'autres batteries et chargeurs peut provoquer des blessures et/ou un incendie.

## Symboles

Vous trouverez ci-dessous les symboles susceptibles d'être utilisés pour l'appareil. Veuillez à comprendre leur signification avant toute utilisation.

	Lire le mode d'emploi.
	Portez des lunettes de sécurité.
	Pour éviter les blessures provoquées par les objets projetés, maintenir la tête de la scie en position basse une fois la coupe terminée, jusqu'à ce que la lame soit complètement arrêtée.
	Ne pas placer les mains ou les doigts près de la lame.



Ne regardez jamais dans le faisceau laser. Le faisceau laser direct peut entraîner des lésions oculaires.



Pour les pays de l'Union européenne uniquement  
En raison de la présence de composants dangereux dans l'équipement, les déchets d'équipements électriques et électroniques, les accumulateurs et les batteries peuvent avoir un impact négatif sur l'environnement et la santé humaine. Ne jetez pas les appareils électriques et électroniques ou les batteries avec les ordures ménagères ! Conformément à la directive européenne relative aux déchets d'équipements électriques et électroniques et aux déchets d'accumulateurs et de batteries, ainsi qu'à son adaptation à la législation nationale, les déchets d'équipements électriques, les batteries et les accumulateurs doivent être collectés séparément et déposés dans un point de collecte distinct pour déchets urbains, conformément aux réglementations en matière de protection de l'environnement. Cela est indiqué par le symbole de la poubelle à roulettes barrée sur l'équipement.

## Utilisation prévue

L'outil est conçu pour effectuer des coupes rectilignes et des coupes d'onglet dans le bois, avec précision. N'utilisez pas la scie pour couper autre chose que du bois, de l'aluminium ou des matériaux similaires.

## Bruit

Niveau de bruit pondéré A typique, déterminé selon EN62841-3-9 :

Niveau de pression sonore ( $L_{pA}$ ) : 90 dB (A)

Niveau de puissance sonore ( $L_{WA}$ ) : 97 dB (A)

Incertitude (K) : 3 dB (A)

**NOTE** : La ou les valeurs d'émission de bruit déclarées ont été mesurées conformément à la méthode de test standard et peuvent être utilisées pour comparer les outils entre eux.

**NOTE** : La ou les valeurs d'émission de bruit déclarées peuvent aussi être utilisées pour l'évaluation préliminaire de l'exposition.

**⚠ AVERTISSEMENT** : Portez un serre-tête antibruit.

**⚠ AVERTISSEMENT** : L'émission de bruit lors de l'usage réel de l'outil électrique peut être différente de la ou des valeurs déclarées, suivant la façon dont l'outil est utilisé, particulièrement selon le type de pièce usinée.

**⚠ AVERTISSEMENT** : Les mesures de sécurité à prendre pour protéger l'utilisateur doivent être basées sur une estimation de l'exposition dans des conditions réelles d'utilisation (en tenant compte de toutes les composantes du cycle d'utilisation, comme par exemple le moment de sa mise hors tension, lorsqu'il tourne à vide et le moment de son déclenchement).

## Vibrations

Valeur totale de vibrations (somme de vecteur triaxial) déterminée selon EN62841-3-9 :

Émission de vibrations ( $a_h$ ) : 2,5 m/s<sup>2</sup> ou moins

Incertitude (K) : 1,5 m/s<sup>2</sup>

**NOTE** : La ou les valeurs de vibration totales déclarées ont été mesurées conformément à la méthode de test standard et peuvent être utilisées pour comparer les outils entre eux.

**NOTE** : La ou les valeurs de vibration totales déclarées peuvent aussi être utilisées pour l'évaluation préliminaire de l'exposition.

**⚠ AVERTISSEMENT** : L'émission de vibrations lors de l'usage réel de l'outil électrique peut être différente de la ou des valeurs déclarées, suivant la façon dont l'outil est utilisé, particulièrement selon le type de pièce usinée.

**⚠ AVERTISSEMENT** : Les mesures de sécurité à prendre pour protéger l'utilisateur doivent être basées sur une estimation de l'exposition dans des conditions réelles d'utilisation (en tenant compte de toutes les composantes du cycle d'utilisation, comme par exemple le moment de sa mise hors tension, lorsqu'il tourne à vide et le moment de son déclenchement).

## Déclaration de conformité CE

### Pour les pays européens uniquement

La déclaration de conformité CE est fournie en Annexe A à ce mode d'emploi.

## CONSIGNES DE SÉCURITÉ

### Consignes de sécurité générales pour outils électriques

**⚠ AVERTISSEMENT** : Veuillez lire les consignes de sécurité, instructions, illustrations et spécifications qui accompagnent cet outil électrique. Le non-respect de toutes les instructions indiquées ci-dessous peut entraîner une électrocution, un incendie et/ou de graves blessures.

### Conservez toutes les mises en garde et instructions pour référence ultérieure.

Le terme « outil électrique » dans les avertissements fait référence à l'outil électrique alimenté par le secteur (avec cordon d'alimentation) ou à l'outil électrique fonctionnant sur batterie (sans cordon d'alimentation).

### Consignes de sécurité pour scies radiales

1. Les scies radiales sont conçues pour couper le bois ou des produits similaires au bois ; elles ne peuvent pas être utilisées avec des meules à tronçonner pour couper des matériaux ferreux comme des barres, des tiges, des goujons, etc. La poussière abrasive provoque le blocage des pièces mobiles comme le protecteur inférieur. Les étincelles produites par le tronçonnage abrasif brûleront le protecteur inférieur, le pare-éclats et les autres pièces en plastique.
2. Utilisez des dispositifs de serrage pour soutenir la pièce si possible. Si vous soutenez la pièce avec la main, vous devez toujours tenir votre main à au moins 100 mm des côtés de la lame de scie. N'utilisez pas cette scie pour découper des morceaux trop petits pour être solidement bloqués ou tenus avec la main. Si votre main est placée trop près de la lame de scie, cela présente un risque accru de blessures en cas de contact avec la lame.
3. La pièce doit être immobile et bloquée ou maintenue à la fois contre le guide et la table. En aucun cas, ne poussez la pièce dans la lame, ni ne coupez « à main levée ». Les pièces non retenues ou en mouvement pourraient être projetées à grande vitesse et vous blesser.
4. Ne croisez jamais les mains sur la ligne de coupe prévue devant ou derrière la lame de scie. Soutenir la pièce les « mains croisées », à savoir en tenant la pièce à droite de la lame de scie avec la main gauche et inversement, est très dangereux.

► Fig.1

5. **Ne tendez pas les mains derrière le guide plus près que 100 mm d'un côté ou de l'autre de la lame de scie pour retirer les chutes de bois ou pour tout autre motif pendant que la lame tourne.** La proximité de la lame de scie en rotation avec votre main pourrait ne pas être évidente et vous pourriez gravement vous blesser.
  6. **Inspectez votre pièce avant la coupe. Si la pièce est arquée ou tordue, serrez-la en place avec la face externe arquée tournée vers le guide. Assurez-vous toujours qu'il n'y a pas d'espace entre la pièce, le guide et la table le long de la ligne de coupe.** Les pièces courbées ou tordues peuvent se tordre ou bouger et pincer la lame de scie en rotation pendant la coupe. La pièce ne doit pas avoir de clous ou corps étrangers.
  7. **N'utilisez pas la scie tant que la table n'est pas dégagée de tous les outils, chutes de bois, etc., à l'exception de la pièce.** Les petits débris, les morceaux de bois détachés ou d'autres objets entrant en contact avec la lame en rotation peuvent être projetés à grande vitesse.
  8. **Coupez uniquement une pièce à la fois.** Plusieurs pièces empilées ne peuvent pas être correctement serrées ou attachées et risquent de pincer la lame ou de bouger pendant la coupe.
  9. **Avant utilisation, assurez-vous que la scie radiale est installée ou posée sur un plan de travail plat et solide.** Un plan de travail plat et solide réduit le risque d'instabilité de la scie radiale.
  10. **Planifiez votre travail. Chaque fois que vous changez le réglage de l'angle de coupe en biseau ou l'angle de coupe d'onglet, assurez-vous que le guide réglable est placé correctement pour soutenir la pièce et qu'il ne gênera pas la lame ou le dispositif de protection.** Sans mettre l'outil sous tension (ON) et sans pièce sur la table, déplacez la lame de scie pour une simulation de coupe complète afin de vous assurer qu'il n'y aura pas d'interférence ou de risque de couper le guide.
  11. **Prévoyez des supports adéquats comme des rallonges de table, un chevalet de sciage, etc., pour les pièces plus larges ou plus longues que la table.** Les pièces plus longues ou plus larges que la table d'appui de la scie radiale peuvent basculer si elles ne sont pas solidement soutenues. Si la partie coupée de la pièce ou la pièce elle-même bascule, elle peut soulever le protecteur inférieur ou être projetée par la lame en rotation.
  12. **Ne vous servez pas d'une autre personne à la place d'une rallonge de table ou d'un support supplémentaire.** Un soutien instable de la pièce peut pincer la lame ou faire bouger la pièce pendant la coupe vous entraînant vous et votre assistant vers la lame en rotation.
  13. **La partie coupée de la pièce ne doit pas être coincée ou appuyée par quelque moyen que ce soit contre la lame de scie en rotation.** Si elle est emprisonnée, au moyen de butées longitudinales par exemple, la partie coupée de la pièce risque de se coincer contre la lame et d'être violemment projetée.
  14. **Utilisez toujours un dispositif de serrage ou de fixation conçu pour soutenir adéquatement les pièces rondes comme les barres ou les tuyaux.** Les barres ont tendance à rouler pendant la coupe, faisant « mordre » la lame et entraînant la pièce et votre main sur la lame.
  15. **Attendez que la lame ait atteint sa pleine vitesse avant de la mettre en contact avec la pièce.** Vous réduirez ainsi le risque de projection de la pièce.
  16. **Si la pièce ou la lame se coince, mettez la scie radiale hors tension. Attendez que toutes les pièces en mouvement s'arrêtent et débranchez la fiche du cordon d'alimentation de la prise secteur et/ou retirez la batterie. Puis essayez de libérer la pièce coincée.** Si vous continuez à scier avec une pièce coincée, vous risquez de perdre le contrôle de la scie radiale ou de l'endommager.
  17. **Une fois la coupe terminée, relâchez l'interrupteur, tenez la tête de scie vers le bas et attendez l'arrêt de la lame avant de retirer la partie coupée de la pièce.** Approcher votre main de la lame « en roue libre » est dangereux.
  18. **Tenez fermement la poignée lorsque vous faites une coupe incomplète ou lorsque vous relâchez l'interrupteur avant d'avoir complètement abaissé la tête de scie.** Le freinage de la scie peut tirer brusquement la tête de scie vers le bas, ce qui présente un risque de blessure.
  19. **Utilisez uniquement une lame de scie ayant le diamètre indiqué sur l'outil ou spécifié dans le mode d'emploi.** L'utilisation d'une taille incorrecte de lame peut affecter la protection de la lame ou le fonctionnement du carter de protection, ce qui pourrait provoquer de graves blessures.
  20. **Utilisez uniquement des lames de scie sur lesquelles est indiquée une vitesse égale ou supérieure à la vitesse figurant sur l'outil.**
  21. **N'utilisez pas la scie pour couper autre chose que du bois, de l'aluminium ou des matériaux similaires.**
  22. **(Pour les pays européens uniquement) Utilisez toujours une lame conforme à la norme EN847-1.**
- Instructions supplémentaires**
1. **Faites en sorte que l'atelier ne présente pas de dangers pour les enfants en plaçant des cadenas.**
  2. **Ne vous tenez jamais debout sur l'outil.** Vous risqueriez de gravement vous blesser si l'outil bascule ou si vous touchez par inadvertance l'outil de coupe.
  3. **Ne laissez jamais sans surveillance un outil en marche. Mettez-le hors tension. Attendez que l'outil soit complètement arrêté avant de vous éloigner.**
  4. **N'utilisez jamais la scie sans les protecteurs en place. Vérifiez le bon fonctionnement du protecteur de lame avant chaque utilisation. N'utilisez pas la scie si le protecteur de lame ne se déplace pas librement et ne se referme pas instantanément. N'immobilisez jamais le protecteur de lame en position ouverte.**

5. Gardez bien les mains à l'écart de la lame de scie. Évitez tout contact avec une lame « en roue libre ». Vous pourriez vous blesser gravement.
6. Immobilisez toujours toutes les pièces mobiles de l'outil avant de le transporter.
7. La broche d'arrêt qui verrouille en position basse la tête de coupe sert à des fins de transport et de rangement uniquement et pas pour les opérations de coupe.
8. Vérifiez soigneusement l'absence de fissures ou de dommages sur les lames avant l'utilisation. Remplacez immédiatement les lames fissurées ou abîmées. Les dépôts de colle et les copeaux de bois qui durcissent contre la lame ralentissent la scie et entraînent une augmentation des risques de choc en retour. Pour nettoyer la lame, retirez-la d'abord de l'outil, puis nettoyez-la avec un décapant, de l'eau chaude ou du kérosène. N'utilisez jamais d'essence pour nettoyer la lame.
9. N'utilisez que les flasques spécifiés pour cet outil.
10. Prenez garde de ne pas endommager l'alésage, les flasques (tout particulièrement leur surface d'installation) ou le boulon. Si ces pièces sont endommagées, la lame peut se casser.
11. Assurez-vous que le socle rotatif est bien immobilisé, afin qu'il ne risque pas de se déplacer pendant l'opération. Utilisez les orifices sur le socle pour fixer la scie sur une plateforme de travail ou un établi stable. N'utilisez JAMAIS l'outil si vous vous trouvez dans une position inconfortable.
12. Assurez-vous que le blocage de l'arbre est relâché avant de mettre la sous tension.
13. Assurez-vous que la lame ne touche pas le socle rotatif quand elle est abaissée au maximum.
14. Tenez la poignée fermement. N'oubliez pas que la scie se déplace légèrement de haut en bas au démarrage et à l'arrêt.
15. Assurez-vous que la lame ne touche pas la pièce avant de mettre la sous tension.
16. Avant d'utiliser l'outil sur la pièce, faites-le tourner un instant à vide. Vérifiez que la lame ne présente ni balourd ni shimmy qui pourraient résulter d'un montage incorrect ou d'un déséquilibre.
17. Arrêtez immédiatement si vous remarquez quoi que ce soit d'anormal.
18. Ne tentez pas de bloquer la gâchette sur la position de marche (ON).
19. N'utilisez que les accessoires recommandés dans ce manuel. L'utilisation d'accessoires différents, disques à tronçonner notamment, peut entraîner des blessures.
20. Certains matériaux contiennent des produits chimiques qui peuvent être toxiques. Prenez garde de ne pas avaler la poussière et évitez tout contact avec la peau. Suivez les données de sécurité du fournisseur du matériau.

Consignes de sécurité supplémentaires pour le laser

1. RAYONNEMENT LASER, ÉVITEZ DE REGARDER FIXEMENT LE FAISCEAU OU DE L'OBSERVER À L'AIDE D'INSTRUMENTS OPTIQUES, PRODUIT LASER DE CLASSE 2M.

## CONSERVEZ CES INSTRUCTIONS.

**⚠️ AVERTISSEMENT :** NE vous laissez PAS tromper (au fil d'une utilisation répétée) par un sentiment d'aisance et de familiarité avec le produit, en négligeant le respect rigoureux des consignes de sécurité qui accompagnent le produit en question. La MAUVAISE UTILISATION de l'outil ou l'ignorance des consignes de sécurité indiquées dans ce mode d'emploi peut entraîner de graves blessures.

## Consignes de sécurité importantes pour la batterie

1. Avant d'utiliser la batterie, lisez toutes les instructions et précautions relatives (1) au chargeur de batterie, (2) à la batterie, et (3) au produit utilisant la batterie.
2. Ne désassemblez pas et ne modifiez pas la batterie. Cela pourrait entraîner un incendie, une chaleur excessive ou une explosion.
3. Cessez immédiatement l'utilisation si le temps de fonctionnement devient excessivement court. Il y a risque de surchauffe, de brûlures, voire d'explosion.
4. Si l'électrolyte pénètre dans vos yeux, rincez-les à l'eau claire et consultez immédiatement un médecin. Il y a risque de perte de la vue.
5. Ne court-circuitez pas la batterie :
  - (1) Ne touchez les bornes avec aucun matériau conducteur.
  - (2) Évitez de ranger la batterie dans un conteneur avec d'autres objets métalliques, par exemple des clous, des pièces de monnaie, etc.
  - (3) N'exposez pas la batterie à l'eau ou à la pluie.

Un court-circuit de la batterie peut provoquer une intensité de courant élevée, une surchauffe, parfois des brûlures et même une panne.
6. Ne rangez ni n'utilisez l'outil et la batterie dans un endroit où la température risque d'atteindre ou de dépasser 50 °C.
7. Ne jetez pas la batterie au feu même si elle est sérieusement endommagée ou complètement épuisée. La batterie peut exploser au contact du feu.
8. Abstenez-vous de clouer, couper, écraser, jeter, laisser tomber la batterie, ou de la heurter contre un objet dur. Cela pourrait entraîner un incendie, une chaleur excessive ou une explosion.
9. N'utilisez pas la batterie si elle est endommagée.

10. **Les batteries au lithium-ion contenues sont soumises aux exigences de la législation sur les marchandises dangereuses.**  
Lors du transport commercial par des tierces parties ou des transitaires par exemple, des exigences spécifiques en matière d'étiquetage et d'emballage doivent être respectées.  
Pour la préparation de l'article expédié, il est nécessaire de consulter un expert en matériau dangereux. Veuillez également respecter les réglementations nationales susceptibles d'être plus détaillées.  
Recouvrez les contacts exposés avec du ruban adhésif ou du ruban de masquage et emballez la batterie de telle sorte qu'elle ne puisse pas bouger dans l'emballage.
11. **Lors de la mise au rebut de la batterie, retirez-la de l'outil et jetez-la en lieu sûr. Suivez les réglementations locales en matière de mise au rebut des batteries.**
12. **Utilisez les batteries uniquement avec les produits spécifiés par Makita.** L'insertion de batteries dans des produits non conformes peut provoquer un incendie, une chaleur excessive, une explosion ou une fuite de l'électrolyte.
13. **Lorsque vous n'utilisez pas l'outil pendant une période prolongée, la batterie doit être retirée de l'outil.**
14. **Pendant et après l'utilisation, la batterie peut chauffer, ce qui peut entraîner des brûlures, y compris en cas de température relativement basse. Manipulez les batteries chaudes avec précaution.**
15. **Ne touchez pas la borne de l'outil immédiatement après utilisation car elle peut être assez chaude pour provoquer des brûlures.**
16. **Évitez que des copeaux, de la poussière ou du sol adhèrent aux bornes, aux trous et aux rainures de la batterie.** Cela peut provoquer un échauffement, un incendie, une explosion ou un dysfonctionnement de l'outil ou de la batterie, ce qui peut entraîner des brûlures ou des blessures.
17. **À moins que l'outil prenne en charge un tel usage, n'utilisez pas la batterie à proximité de lignes électriques haute tension.** Cela pourrait entraîner un dysfonctionnement ou casser l'outil ou la batterie.
18. **Conservez la batterie hors de portée des enfants.**

## CONSERVEZ CES INSTRUCTIONS.

**⚠ATTENTION : N'utilisez que des batteries Makita d'origine.** L'utilisation de batteries de marque autre que Makita ou de batteries modifiées peut provoquer l'explosion des batteries, ce qui présente un risque d'incendie, de dommages matériels et corporels. Cela annulera également la garantie Makita pour l'outil et le chargeur Makita.

## Conseils pour assurer la durée de vie optimale de la batterie

1. **Chargez la batterie avant qu'elle ne soit complètement déchargée. Arrêtez toujours l'outil et rechargez la batterie quand vous remarquez que la puissance de l'outil diminue.**
2. **Ne rechargez jamais une batterie complètement chargée. La surcharge réduit la durée de service de la batterie.**
3. **Chargez la batterie à une température ambiante comprise entre 10 °C et 40 °C. Avant de charger une batterie chaude, laissez-la refroidir.**
4. **Lorsque vous n'utilisez pas la batterie, retirez-la de l'outil ou du chargeur.**
5. **Rechargez la batterie si elle est restée inutilisée pendant une période prolongée (plus de six mois).**

## DESCRIPTION DES PIÈCES

► Fig.2

1	Bouton de sécurité	2	Gâchette	3	Poignée	4	Porte-lame
5	Lame	6	Protecteur de lame	7	Guide inférieur	8	Petit guide inférieur
9	Socle	10	Socle rotatif	11	Guide	12	Étau vertical
13	Sac à poussière	14	Raccord à poussières	15	Capot central	-	-

► Fig.3

16	Lampe	17	Batterie	18	Clé hexagonale	19	Lever de déverrouillage
20	Lever (pour le réglage de l'angle de coupe en biseau)	21	Plateau de découpe	22	Boulon de réglage de limite inférieure	23	Interrupteur de la lampe
24	Interrupteur du laser	-	-	-	-	-	-

# INSTALLATION

## Montage sur établi

**⚠ AVERTISSEMENT :** Assurez-vous que l'outil ne bouge pas sur la surface de soutien. Si la scie radiale bouge sur la surface de soutien pendant la coupe, il y a risque de perte de contrôle et de graves blessures.

1. Fixez le socle sur une surface plane et stable en vissant avec deux boulons. Ceci permet d'éviter tout risque de renversement et de blessure.

► Fig.4: 1. Boulon

# DESCRIPTION DU FONCTIONNEMENT

**⚠ AVERTISSEMENT :** Assurez-vous toujours que l'outil est hors tension et que la batterie est retirée avant de régler ou de vérifier le fonctionnement de l'outil. Si vous ne mettez pas l'outil hors tension et ne retirez pas la batterie, cela présente un risque de graves blessures en cas de démarrage accidentel.

## Insertion ou retrait de la batterie

**⚠ ATTENTION :** Éteignez toujours l'outil avant de mettre en place ou de retirer la batterie.

**⚠ ATTENTION :** Tenez fermement l'outil et la batterie lors de la mise en place ou du retrait de la batterie. Si vous ne tenez pas fermement l'outil et la batterie, ils peuvent vous glisser des mains, et s'abîmer ou vous blesser.

► Fig.5: 1. Indicateur rouge 2. Bouton 3. Batterie

Pour retirer la batterie, faites-la glisser hors de l'outil tout en faisant glisser le bouton à l'avant de la batterie.

Pour mettre en place la batterie, alignez la languette sur la batterie avec la rainure sur le compartiment et insérez-la. Insérez-la à fond jusqu'à ce qu'un léger déclic se fasse entendre. Si l'indicateur rouge sur le dessus du bouton est visible, cela signifie qu'elle n'est pas bien verrouillée.

**⚠ ATTENTION :** Insérez toujours complètement la batterie jusqu'à ce que l'indicateur rouge ne soit plus visible. Sinon, elle pourrait tomber accidentellement de l'outil, au risque de vous blesser ou de blesser quelqu'un se trouvant près de vous.

**⚠ ATTENTION :** N'insérez pas la batterie de force. Si elle ne glisse pas facilement, c'est que vous ne l'insérez pas correctement.

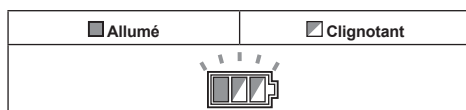
# Système de protection de l'outil/la batterie

L'outil est équipé d'un système de protection de l'outil/la batterie. Ce système coupe automatiquement l'alimentation vers le moteur pour prolonger la durée de vie de l'outil et de la batterie. Si l'outil ou la batterie se trouve dans l'une des situations suivantes, l'outil cessera automatiquement de fonctionner.

## Protection contre la surcharge

Lorsque l'outil est utilisé d'une manière provoquant un appel de courant anormalement élevé, l'outil s'arrête automatiquement sans indication. Dans ce cas, éteignez l'outil et arrêtez la tâche ayant provoqué la surcharge de l'outil. Puis rallumez l'outil pour reprendre la tâche.

## Protection contre la surchauffe



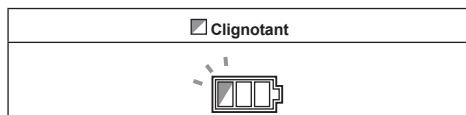
En cas de surchauffe de l'outil, celui-ci s'arrête automatiquement et le témoin de la batterie clignote pendant 60 secondes environ. Dans ce cas, laissez l'outil refroidir avant de rallumer l'outil.

## Protection contre la décharge totale de la batterie

Lorsque la charge restante de la batterie devient très faible, l'outil s'arrête automatiquement. Si le produit ne fonctionne pas même en actionnant les boutons, retirez les batteries de l'outil et chargez-les.

## Annulation du verrouillage par le système de protection

Si le système de protection s'active à plusieurs reprises, l'outil est verrouillé et le témoin de la batterie clignote.



Dans ce cas, éteignez l'outil avec l'interrupteur et éliminez la cause d'activation du système de protection, puis rallumez l'outil. Si l'outil ne fonctionne pas après l'avoir rallumé avec l'interrupteur, retirez la batterie et chargez-la.



## Indication de la charge restante de la batterie

► Fig.6: 1. Témoin de la batterie

Lorsque vous enclenchez la gâchette, le témoin de la batterie indique la charge restante de la batterie.

Statut du témoin de la batterie			Charge restante de la batterie
Allumé	Éteint	Clignotant	
			50 % à 100 %
			20 % à 50 %
			0 % à 20 %
			Chargez la batterie

## Indication de la charge restante de la batterie

*Uniquement pour les batteries avec voyant lumineux*

► Fig.7: 1. Témoins 2. Bouton de vérification

Appuyez sur le bouton de vérification sur la batterie pour indiquer la charge restante de la batterie. Les témoins s'allument pendant quelques secondes.

Témoins			Charge restante
Allumé	Éteint	Clignotant	
			75 % à 100 %
			50 % à 75 %
			25 % à 50 %
			0 % à 25 %
			Chargez la batterie.
			Anomalie possible de la batterie.

**NOTE :** Selon les conditions d'utilisation et la température ambiante, l'indication peut être légèrement différente de la capacité réelle.

**NOTE :** Le premier témoin (complètement à gauche) clignotera pendant le fonctionnement du système de protection de la batterie.

## Fonction de changement automatique de vitesse

► Fig.8: 1. Témoin de mode

Statut du témoin de mode	Mode de fonctionnement
	Mode grande vitesse
	Mode couple élevé

Cet outil est pourvu d'un « mode grande vitesse » et d'un « mode couple élevé ». Il change automatiquement de mode de fonctionnement en fonction de la charge de travail. Lorsque le témoin de mode s'allume pendant le fonctionnement, l'outil est en mode couple élevé.

## Broche d'arrêt

**ATTENTION :** Tenez toujours la poignée lorsque vous libérez la broche d'arrêt. Autrement, la poignée peut sauter et provoquer des blessures.

Pour libérer la broche d'arrêt, continuez d'appliquer une légère pression vers le bas sur la poignée, puis tirez sur la broche d'arrêt.

► Fig.9: 1. Broche d'arrêt

## Protecteur de lame

**AVERTISSEMENT :** Ne modifiez, ni ne retirez le protecteur de lame ou son ressort. Une lame exposée suite à la modification du protecteur peut entraîner de graves blessures lors de l'utilisation.

**AVERTISSEMENT :** N'utilisez jamais l'outil si le protecteur de lame ou le ressort est endommagé, défectueux ou retiré. L'utilisation de l'outil avec un protecteur endommagé, défectueux ou retiré peut entraîner de graves blessures.

**ATTENTION :** Maintenez toujours le protecteur de lame en bon état pour un fonctionnement sécuritaire. Arrêtez immédiatement le fonctionnement en présence d'anomalies du protecteur de lame. Vérifiez que le mécanisme de rappel par ressort du protecteur fonctionne correctement.

► Fig.10: 1. Protecteur de lame

Le protecteur de lame s'élève automatiquement lorsque vous abaissez la poignée. Le protecteur étant équipé d'un ressort de rappel, il revient à sa position d'origine une fois la coupe terminée et la poignée relevée.

### Nettoyage

► Fig.11: 1. Protecteur de lame

Si le protecteur de lame transparent devient sale ou si la sciure de bois y adhère au point que la lame et/ou la pièce à travailler ne soit plus bien visible, retirez la batterie et nettoyez soigneusement le protecteur avec un chiffon humide. N'utilisez aucun solvant ou nettoyant à base de pétrole sur le protecteur en plastique, car cela risquerait de l'abîmer.

Pour le nettoyage, soulevez le protecteur de lame en vous reportant à « Pose et dépose de la lame ». Après le nettoyage, veillez bien à remettre en place la lame et le capot central et serrez le boulon à tête cylindrique à six pans creux.



1. Assurez-vous que l'outil est éteint et les batteries retirées.
2. Tournez le boulon à tête cylindrique à six pans creux vers la gauche à l'aide de la clé hexagonale fournie tout en tenant le capot central.
3. Soulevez le protecteur de lame et le capot central.
4. Une fois que le nettoyage est terminé, remettez le capot central en place et serrez le boulon à tête cylindrique à six pans creux en suivant les étapes ci-dessus dans l'ordre inverse.

**⚠ AVERTISSEMENT : Ne retirez pas le ressort du protecteur de lame.** Si le protecteur se détériore avec le temps ou sous l'effet des rayons ultraviolets, contactez un centre d'entretien Makita pour le remplacer. **NE MODIFIEZ NI NE RETIREZ LE PROTECTEUR.**

## Positionnement du plateau de découpe

Le socle rotatif de cet outil est équipé de plateaux de découpe pour minimiser la déchirure du côté de sortie de la coupe. Les plateaux de découpe sont réglés en usine de sorte qu'ils n'entrent pas en contact avec la lame de scie. Avant l'utilisation, ajustez les plateaux de découpe comme suit :

1. Veillez à retirer la batterie. Desserrez ensuite toutes les vis (2 à droite et 2 à gauche) qui retiennent les plateaux de découpe.
  - ▶ Fig.12: 1. Plateau de découpe 2. Vis
2. Ne les resserrez que partiellement, de sorte qu'il soit facile de déplacer manuellement les plateaux de découpe.
3. Abaissez complètement la poignée et enfoncez la broche d'arrêt pour verrouiller la poignée en position abaissée.
4. Ajustez les plateaux de découpe de sorte qu'ils touchent très légèrement les côtés des dents de la lame.
  - ▶ Fig.13
  - ▶ Fig.14: 1. Lame de scie 2. Dents de lame 3. Plateau de découpe 4. Coupe en biseau sur la gauche 5. Coupe rectiligne
5. Serrez les vis (ne serrez pas fermement).
6. Après avoir ajusté les plateaux de découpe, dégagez la broche d'arrêt et levez la poignée. Serrez ensuite toutes les vis fermement.

**REMARQUE : Après avoir réglé l'angle de coupe en biseau, assurez-vous que les plateaux de découpe sont bien ajustés.** Des plateaux de découpe bien ajustés contribuent au soutien adéquat de la pièce et réduisent l'effet d'arrachement sur la pièce.

## Maintien de la capacité de coupe maximale

Cet outil est réglé en usine pour offrir une capacité de coupe maximale avec une lame de scie de 165 mm. Lorsque vous installez une nouvelle lame, vérifiez toujours la position limite inférieure de la lame, et réglez-la comme suit si nécessaire :

1. Retirez la batterie. Abaissez complètement la poignée.
2. Avec la clé hexagonale, tournez le boulon de réglage de limite inférieure jusqu'à ce que la lame de scie se trouve légèrement sous la section transversale du guide et la surface supérieure du socle rotatif.
  - ▶ Fig.15: 1. Boulon de réglage
  - ▶ Fig.16: 1. Guide
3. Faites tourner la lame manuellement en maintenant la poignée en position complètement abaissée, afin d'être certain que la lame n'entre en contact avec aucune partie du plateau inférieur. Au besoin, effectuez un léger réajustement.

**⚠ AVERTISSEMENT : Après avoir installé une nouvelle lame et avoir retiré la batterie, assurez-vous toujours que la lame ne touche aucune partie du plateau inférieur lorsque la poignée est complètement abaissée.** Si la lame entre en contact avec le plateau, elle risque de provoquer un choc en retour et d'entraîner de graves blessures.

▶ Fig.17

## Guide inférieur

### Propre au pays

Cet outil est équipé d'un guide inférieur et de petits guides inférieurs.

### Guide inférieur

**⚠ AVERTISSEMENT : Retirez toujours le guide inférieur pour les coupes en biseau.** Vous risqueriez autrement de gravement vous blesser.

▶ Fig.18: 1. Guide inférieur

Pour toutes les coupes, sauf les coupes en biseau, utilisez le guide inférieur pour soutenir la pièce.

### Petit guide inférieur

**⚠ ATTENTION : Repliez les petits guides inférieurs pour les coupes en biseau à droite.** Sinon, ils pourraient entrer en contact avec la lame ou une autre partie de l'outil, ce qui pourrait entraîner de graves blessures pour l'utilisateur.

▶ Fig.19: 1. Petit guide inférieur 2. Échelle

Pour les coupes verticales ou les coupes en biseau à gauche, retournez-les vers le haut pour soutenir la pièce. Le guide a une échelle de 10 mm d'intervalle.

## Réglage de l'angle de coupe d'onglet

- **Fig.20:** 1. Vis de fixation 2. Socle rotatif 3. Secteur  
4. Index

1. Desserrez la vis de fixation dans le sens inverse des aiguilles d'une montre.
2. Réglez l'angle du socle rotatif. Servez-vous de l'index et du secteur comme guide.
3. Serrez fermement la vis de fixation dans le sens des aiguilles d'une montre.

**⚠ ATTENTION :** Après avoir modifié l'angle de coupe d'onglet, fixez toujours le socle rotatif en serrant fermement la vis de fixation.

**REMARQUE :** Lorsque vous tournez le socle rotatif, veillez à relever complètement la poignée.

## Réglage de l'angle de coupe en biseau

Pour ajuster l'angle de coupe en biseau, tournez le levier à l'arrière de l'outil vers le bas.

- **Fig.21:** 1. Levier

Pour incliner la lame vers la gauche, tenez la poignée et inclinez la tête de scie. Servez-vous de l'échelle et de l'index comme guide. Tournez ensuite fermement le levier vers le haut pour maintenir en place la tête de scie.

- **Fig.22:** 1. Index 2. Échelle

Pour incliner la lame vers la droite, tenez la poignée et inclinez la tête de scie légèrement vers la gauche, puis appuyez sur le bouton de libération. En maintenant le bouton de libération enfoncé, inclinez la lame de scie vers la droite. Tournez fermement le levier vers le haut pour maintenir en place la tête de scie.

- **Fig.23:** 1. Bouton de libération

**⚠ ATTENTION :** Après avoir modifié l'angle de coupe en biseau, fixez toujours la tête de scie en tournant fermement le levier vers le haut.

**REMARQUE :** Quand vous inclinez la lame de scie, assurez-vous que la poignée est complètement relevée.

**REMARQUE :** Lorsque vous modifiez l'angle de coupe en biseau, vous devez placer les plateaux de découpe en position adéquate, tel que décrit dans la section « Positionnement des plateaux de découpe ».

## Réglage de l'angle de coupe en biseau à 46°

1. Desserrez le levier et inclinez la lame complètement vers la gauche ou la droite.

- **Fig.24:** 1. Levier

2. Pour incliner la lame vers la gauche, tenez la poignée et inclinez la tête de scie légèrement vers la droite, puis déplacez le levier de déverrouillage dans le sens de la flèche. L'angle de coupe en biseau peut être réglé de 45° à 46° en inclinant la tête de scie tout en déplaçant le levier de déverrouillage.

Pour incliner la lame vers la droite, tenez la poignée et inclinez la tête de scie légèrement vers la gauche, puis déplacez le levier de déverrouillage dans le sens de la flèche. L'angle de coupe en biseau peut être réglé de 45° à 46° en inclinant la tête de scie tout en déplaçant le levier de déverrouillage.

- **Fig.25:** 1. Levier 2. Levier de déverrouillage

3. Tournez fermement le levier vers le haut pour maintenir en place la tête de scie.

## Réglage de la position du levier

Si, au fil du temps, le levier n'assure pas un serrage parfait, changez la position du levier. Le levier peut être placé sur l'une ou l'autre des positions de serrage distantes de 30°.

Desserrez puis retirez la vis qui retient le levier. Retirez le levier et réinstallez-le de sorte qu'il soit légèrement tourné au-dessus du plan horizontal. Serrez ensuite à fond le levier avec la vis.

- **Fig.26:** 1. Levier 2. Vis

## Interrupteur

**⚠ AVERTISSEMENT :** Avant d'insérer la batterie dans l'outil, vérifiez toujours que la gâchette fonctionne correctement et revient en position d'arrêt lorsqu'elle est relâchée. L'utilisation d'un outil dont la gâchette est défectueuse comporte un risque de perte de contrôle et de graves blessures.

**⚠ AVERTISSEMENT :** N'utilisez JAMAIS un outil dont le fonctionnement de la gâchette est défectueux. Tout outil dont la gâchette est défectueuse est EXTRÊMEMENT DANGEREUX et doit être réparé avant toute nouvelle utilisation, autrement cela présente un risque de graves blessures.

**⚠ AVERTISSEMENT :** Pour assurer votre sécurité, cet outil est équipé d'un bouton de sécurité qui empêche de faire démarrer l'outil par inadvertance. N'utilisez JAMAIS l'outil s'il se met en marche lorsque vous appuyez simplement sur la gâchette sans avoir enfoncé le bouton de sécurité. Une gâchette non réparée comporte un risque d'activation accidentelle pouvant entraîner de graves blessures. Confiez l'outil à un centre d'entretien Makita pour le faire réparer AVANT de poursuivre l'utilisation.

**⚠ AVERTISSEMENT :** NE bloquez JAMAIS le bouton de sécurité avec du ruban ou de toute autre manière. Une gâchette dont le bouton de sécurité est bloqué comporte un risque d'activation accidentelle pouvant entraîner de graves blessures.

**REMARQUE :** Évitez d'appuyer sur la gâchette avec force lorsque le bouton de sécurité n'est pas enfoncé. Vous risqueriez de briser la gâchette.

Pour éviter tout déclenchement accidentel de la gâchette, l'outil est muni d'un bouton de sécurité. Pour démarrer l'outil, enfoncez le bouton de sécurité puis appuyez sur la gâchette. Pour l'arrêter, relâchez la gâchette.

- **Fig.27:** 1. Bouton de sécurité 2. Orifice pour cadenas 3. Gâchette

## Allumage de la lampe

**⚠ ATTENTION** : Cette lampe n'est pas étanche à la pluie. Ne lavez pas la lampe avec de l'eau, ni ne l'utilisez sous la pluie ou dans un endroit mouillé. Une telle action pourrait provoquer une décharge électrique et de la fumée.

**⚠ ATTENTION** : Ne touchez pas la lentille de la lampe, car elle est très chaude pendant qu'elle est allumée ou juste après l'avoir éteinte. Vous risqueriez de vous brûler.

**⚠ ATTENTION** : N'exercez aucun impact sur la lampe sous peine de l'endommager ou de réduire sa durée de service.

**⚠ ATTENTION** : Ne projetez pas continuellement le faisceau de lumière vers vos yeux. Cela présente un risque de lésion oculaire.

**⚠ ATTENTION** : Ne couvrez pas la lampe de vêtements, boîtes, cartons ou autres objets similaires pendant qu'elle est allumée sous peine de déclencher un incendie ou une combustion.

**⚠ ATTENTION** : Évitez de regarder directement le faisceau lumineux ou sa source.

Pour allumer la lampe, appuyez sur la position supérieure (I) de l'interrupteur. Pour éteindre la lampe, appuyez sur la position inférieure (O) de l'interrupteur.

► Fig.28: 1. Lampe 2. Interrupteur de la lampe

**NOTE** : Retirez la saleté sur la lentille de la lampe avec un chiffon sec. Prenez soin de ne pas érafler la lentille de la lampe sous peine de diminuer son éclairage.

**NOTE** : Veillez à éteindre l'outil avec l'interrupteur sous peine de vider la batterie.

## Action du faisceau laser

**⚠ ATTENTION** : Ne regardez jamais dans le faisceau laser. Le faisceau laser direct peut entraîner des lésions oculaires.

Pour activer le faisceau laser, appuyez sur la position supérieure (I) de l'interrupteur. Pour désactiver le faisceau laser, appuyez sur la position inférieure (O) de l'interrupteur.

► Fig.29: 1. Interrupteur du laser

**NOTE** : Veillez à éteindre l'outil avec l'interrupteur sous peine de vider la batterie.

Le rayon laser peut être décalé vers la gauche ou la droite de la lame de scie circulaire en tournant la vis de réglage comme suit.

► Fig.30: 1. Vis de réglage

1. Desserrez la vis de réglage en la tournant dans le sens inverse des aiguilles d'une montre.
2. Une fois la vis de réglage desserrée, faites-la glisser à droite ou à gauche à fond.
3. Serrez fermement la vis de réglage sur la position où elle cesse de glisser.

**NOTE** : Le rayon laser est réglé en usine de sorte à être positionné à une distance de 1 mm de la surface latérale de la lame de scie circulaire (position de coupe).

**NOTE** : Si le rayon laser semble sombre et difficile à voir à cause des rayons directs du soleil, déplacez l'espace de travail dans un endroit moins ensoleillé.

## Alignement du rayon laser

Alignez le trait de coupe sur votre pièce avec le rayon laser.

► Fig.31

A) Pour obtenir les bonnes dimensions du côté gauche de la pièce, décalez le rayon laser vers la gauche de la lame de scie circulaire.

B) Pour obtenir les bonnes dimensions du côté droit de la pièce, décalez le rayon laser vers la droite de la lame de scie circulaire.

## ASSEMBLAGE

**⚠ AVERTISSEMENT** : Assurez-vous toujours que l'outil est hors tension et que la batterie est retirée avant de travailler dessus. Si vous ne mettez pas l'outil hors tension et ne retirez pas la batterie, cela présente un risque de graves blessures.

## Rangement de la clé hexagonale

Le rangement de la clé hexagonale s'effectue comme indiquée sur la figure. Lorsque vous avez besoin de la clé hexagonale, vous pouvez la retirer du support à clé. Après l'utilisation de la clé hexagonale, vous pouvez la ranger en la remettant dans le support à clé.

► Fig.32: 1. Support à clé 2. Clé hexagonale

## Pose et dépose de la lame de scie

**⚠ AVERTISSEMENT** : Assurez-vous toujours que l'outil est hors tension et que la batterie est retirée avant de poser ou de retirer la lame. Le démarrage accidentel de l'outil peut entraîner de graves blessures.

**⚠ ATTENTION** : Utilisez exclusivement la clé hexagonale Makita fournie pour installer ou retirer la lame. Sinon, le boulon à tête cylindrique à six pans creux risque d'être trop ou pas assez serré. Cela peut entraîner des blessures.

Pour retirer la lame, exécutez les étapes suivantes :

1. Dégagez la broche d'arrêt, puis verrouillez la poignée en position élevée en y poussant la broche d'arrêt.  
► Fig.33: 1. Broche d'arrêt

2. Desserrez le boulon à tête cylindrique à six pans creux de fixation du capot central à l'aide de la clé hexagonale, en tournant vers la gauche. Soulevez ensuite le protecteur de lame et le capot central.

► Fig.34: 1. Capot central 2. Boulon à tête cylindrique à six pans creux 3. Clé hexagonale 4. Protecteur de lame

3. Appuyez sur le blocage de l'arbre pour verrouiller l'axe et desserrez le boulon à tête cylindrique à six pans creux à l'aide de la clé hexagonale, en tournant vers la droite. Retirez ensuite le boulon à tête cylindrique à six pans creux de l'axe, le flasque extérieur et la lame.

► **Fig.35:** 1. Blocage de l'arbre 2. Boulon à tête cylindrique à six pans creux 3. Flasque extérieur

4. Si le flasque intérieur a été retiré, posez-le sur l'axe avec la pièce de fixation de la lame tournée vers la droite. Si le flasque n'est pas posé correctement, il flottera contre l'outil.

► **Fig.36:** 1. Flasque extérieur 2. Lame de scie 3. Flasque intérieur 4. Boulon à tête cylindrique à six pans creux (filetage à gauche) 5. Axe 6. Pièce de fixation de la lame

Pour installer la lame, exécutez les étapes suivantes :

1. Montez la lame avec soin sur le flasque intérieur. Assurez-vous que le sens de la flèche sur la lame correspond au sens de la flèche sur le porte-lame.

► **Fig.37:** 1. Lame de scie 2. Flèche

2. Installez le flasque extérieur et le boulon à tête cylindrique à six pans creux, puis, à l'aide de la clé hexagonale, serrez à fond le boulon à tête cylindrique à six pans creux (filetage à gauche) de l'axe, en tournant vers la gauche, tout en appuyant sur le blocage de l'arbre.

3. Remettez le protecteur de lame et le capot central en position initiale. Serrez ensuite le boulon à tête cylindrique à six pans creux du capot central en le tournant vers la droite pour fixer le capot central.

4. Tirez sur la broche d'arrêt pour dégager la poignée de la position élevée. Abaissez la poignée pour vous assurer que le protecteur de lame se déplace adéquatement.

5. Avant de passer à la coupe, vérifiez que le blocage de l'arbre n'est pas engagé sur l'axe.

## Pour un outil avec un flasque intérieur pour une lame de scie dont le diamètre de l'orifice est de 15,88 mm

### Propre au pays

Montez la flasque intérieure avec son côté encastré tourné vers l'extérieur sur l'arbre de montage, puis placez la lame de scie (avec l'anneau fixé, au besoin), la flasque extérieure et le boulon hexagonal.

### Pour les outils sans anneau

► **Fig.38:** 1. Flasque extérieur 2. Lame de scie 3. Flasque intérieur 4. Boulon à tête cylindrique à six pans creux (filetage à gauche) 5. Axe

### Pour les outils avec anneau

► **Fig.39:** 1. Flasque extérieur 2. Lame de scie 3. Flasque intérieur 4. Boulon à tête cylindrique à six pans creux (filetage à gauche) 5. Bague 6. Axe

**⚠AVERTISSEMENT :** Si l'anneau est nécessaire pour monter la lame sur la broche, assurez-vous toujours que le bon anneau pour l'orifice central de lame que vous avez l'intention d'utiliser est installé entre les flasques intérieure et extérieure. L'utilisation d'un anneau avec orifice central incorrect peut provoquer une mauvaise fixation de la lame, entraînant un mouvement de la lame et de fortes vibrations susceptibles de produire une perte de contrôle pendant l'utilisation et de graves blessures.

## Pour un outil avec un flasque intérieur pour une lame de scie dont le diamètre de l'orifice est autre que 20 mm ou 15,88 mm

### Propre au pays

Le flasque intérieur présente un diamètre donné pour une pièce de fixation de la lame d'un côté et un diamètre différent de l'autre côté. Choisissez le bon côté sur lequel la pièce de fixation de la lame de scie s'engage parfaitement dans l'orifice de la lame.

► **Fig.40:** 1. Flasque extérieur 2. Lame de scie 3. Flasque intérieur 4. Boulon à tête cylindrique à six pans creux (filetage à gauche) 5. Axe 6. Pièce de fixation de la lame

**⚠ATTENTION :** Assurez-vous que la pièce de fixation de la lame « a » sur le flasque intérieur positionné à l'extérieur s'engage parfaitement dans l'orifice de la lame de scie « a ». La fixation de la lame du mauvais côté peut provoquer des vibrations dangereuses.

## Sac à poussière

L'utilisation du sac à poussière permet d'effectuer un travail de coupe plus propre et facilite la collecte des poussières.

Pour fixer le sac à poussière, insérez-le dans le raccord à poussières.

Lorsque le sac à poussière est environ à moitié plein, retirez-le de l'outil et tirez sur la barrette. Videz le sac à poussière en le tapotant légèrement pour retirer les particules qui adhèrent à sa surface intérieure et risqueraient de faire obstacle à la collecte de la poussière par la suite.

► **Fig.41:** 1. Sac à poussière 2. Raccord à poussières 3. Barrette

**NOTE :** Vous pourrez effectuer un travail plus propre si vous raccordez un aspirateur à votre scie.

► **Fig.42**

## Fixation de la pièce de travail

**⚠ AVERTISSEMENT** : Il est très important de toujours immobiliser correctement la pièce à travailler avec l'étau. Autrement, vous risquez de gravement vous blesser et d'abîmer l'outil et/ou la pièce à travailler.

**⚠ AVERTISSEMENT** : Lorsque vous coupez une pièce plus longue que la base du support de la scie, la pièce doit être soutenue sur toute sa longueur au-delà de la base du support et au même niveau pour la maintenir à plat. Une pièce bien soutenue réduit les risques de coincements de la lame et de chocs en retour, qui peuvent entraîner de graves blessures. Ne vous fiez pas uniquement à un étau vertical et/ou un étau horizontal pour immobiliser la pièce. Les matériaux minces ont tendance à s'affaisser. Soutenez la pièce sur toute sa longueur, pour éviter que la lame ne se coince et provoque un éventuel CHOC EN RETOUR.

► Fig.43: 1. Support 2. Socle rotatif

## Étau vertical

**⚠ AVERTISSEMENT** : Fixez la pièce fermement sur le socle rotatif et le guide avec l'étau pendant toutes les opérations. Autrement, la pièce risque de bouger pendant la coupe, d'abîmer la lame et d'être éjectée, ce qui peut entraîner une perte de contrôle et de graves blessures.

Installez l'étau vertical du côté gauche ou droit du guide. Engagez la tige de l'étau dans l'orifice du guide et serrez la vis inférieure pour fixer la tige de l'étau.

► Fig.44: 1. Bras de l'étau 2. Poignée de l'étau  
3. Guide 4. Socle rotatif 5. Vis inférieure  
6. Vis supérieure 7. Tige de l'étau

Placez le bras de l'étau en fonction de l'épaisseur et de la forme de la pièce à travailler, et fixez le bras de l'étau en serrant la vis supérieure. Si la vis supérieure entre en contact avec le guide, installez-la de l'autre côté du bras de l'étau. Assurez-vous qu'aucune partie de l'outil n'entre en contact avec l'étau lorsque vous abaissez complètement la poignée. Si une quelconque partie de l'outil entre en contact avec l'étau, modifiez son emplacement. Appuyez la pièce à plat contre le guide et le socle rotatif. Placez la pièce sur la position de coupe désirée et maintenez-la en place en serrant à fond la poignée de l'étau.

## Fixation de la bandoulière

### Accessoire en option

**⚠ ATTENTION** : Veillez à retirer la bandoulière avant d'utiliser l'outil. La bandoulière pourrait s'enchevêtrer et vous blesser.

**⚠ ATTENTION** : Veillez à fixer solidement les crochets de la bandoulière à l'outil. Si les crochets sont mal fixés, ils risquent de se dégager et de provoquer des blessures.

La bandoulière est pratique pour transporter l'outil. Fixez les crochets de la bandoulière sur l'outil comme illustré sur la figure.

► Fig.45: 1. Bandoulière 2. Crochet

## UTILISATION

Cet outil est conçu pour couper des produits en bois. Si vous utilisez des lames de scie de marque Makita appropriées, vous pouvez également scier les matériaux suivants :

— Produits en aluminium

Consultez notre site Web ou contactez votre revendeur Makita local pour connaître les bonnes lames de scie circulaire à utiliser selon le matériau à couper.

**⚠ AVERTISSEMENT** : Avant de mettre le contact, assurez-vous que la lame ne touche pas la pièce, etc. Il y a risque de choc en retour et de graves blessures si vous mettez le contact alors que la lame est en contact avec la pièce à travailler.

**⚠ AVERTISSEMENT** : Après la coupe, ne soulevez la lame qu'une fois celle-ci parfaitement arrêtée. Vous risquez de gravement vous blesser et d'abîmer la pièce si vous soulevez la lame alors qu'elle tourne encore.

**⚠ ATTENTION** : Ne relâchez pas la tête de scie incontrôlée de la position complètement abaissée. Une tête de scie incontrôlée peut vous frapper et vous blesser.

**REMARQUE** : Avant l'utilisation, assurez-vous d'avoir dégagé la poignée de la position abaissée en tirant sur la broche d'arrêt.

**REMARQUE** : Pendant la coupe, n'appliquez pas une pression excessive sur la poignée. Une force excessive risquerait de provoquer une surcharge du moteur et/ou une diminution de la capacité de coupe. Appuyez sur la poignée en appliquant uniquement la force nécessaire pour obtenir une coupe en douceur sans diminuer de façon significative la vitesse de la lame.

**REMARQUE** : Appuyez doucement sur la poignée pour effectuer la coupe. Si vous appuyez trop fort sur la poignée ou appuyez latéralement, la lame risque de vibrer et de laisser une marque (marque de sciage) sur la pièce ; la précision de coupe sera également affectée.

## Coupe sous presse (coupe de petites pièces)

► Fig.46

Vous pouvez couper des pièces pouvant atteindre 46 mm de haut et 92 mm de large, en procédant comme suit.

1. Assurez la pièce avec l'étau.
2. Mettez l'outil en marche alors que la lame ne touche à rien et attendez qu'elle ait atteint sa pleine vitesse avant de l'abaisser.
3. Abaissez doucement la poignée sur la position la plus basse pour couper la pièce.
4. Lorsque la coupe est terminée, coupez le contact de l'outil et attendez que la lame se soit complètement arrêtée avant de ramener la lame en position complètement relevée.

## Coupe d'onglet

Reportez-vous à la section de réglage de l'angle de coupe d'onglet.

## Coupe en biseau

**⚠ AVERTISSEMENT :** Avant d'utiliser l'outil après avoir réglé la lame pour une coupe en biseau, assurez-vous que la tête de scie et la lame pourront se déplacer librement sur toute l'étendue prévue pour la coupe. L'interruption de la tête de scie ou de la lame en cours de déplacement lors de la coupe peut provoquer un choc en retour et entraîner de graves blessures.

**⚠ AVERTISSEMENT :** Lors de l'exécution d'une coupe en biseau, gardez les mains hors de la trajectoire de la lame. L'angle de la lame peut induire l'utilisateur en erreur concernant la véritable trajectoire de la lame pendant la coupe, ce qui comporte un risque de graves blessures au contact de la lame.

**⚠ AVERTISSEMENT :** La lame ne doit être soulevée qu'une fois complètement arrêtée. Lors d'une coupe en biseau, il se peut que la partie coupée de la pièce vienne s'appuyer contre la lame. Si vous soulevez la lame alors qu'elle tourne encore, la partie coupée de la pièce risquera d'être éjectée par la lame, et ce fragment éjecté peut provoquer de graves blessures.

**⚠ AVERTISSEMENT :** Retirez toujours le guide inférieur pour les coupes en biseau. Vous risqueriez autrement de gravement vous blesser.

### ► Fig.47

1. Desserrez le levier et inclinez la lame de scie pour régler l'angle de coupe en biseau (voir la section précédente « Réglage de l'angle de coupe en biseau »). N'oubliez pas de resserrer à fond le levier de façon à bien assurer l'angle de coupe en biseau sélectionné.
2. Assurez la pièce avec un étau.
3. Mettez l'outil en marche alors que la lame ne touche à rien et attendez qu'elle ait atteint sa pleine vitesse.
4. Abaissez doucement la poignée sur la position la plus basse tout en appliquant une pression parallèle à la lame pour couper la pièce.
5. Lorsque la coupe est terminée, coupez le contact de l'outil et attendez que la lame se soit complètement arrêtée avant de ramener la lame en position complètement relevée.

**REMARQUE :** En appuyant sur la poignée, exercez une pression en parallèle à la lame. Si vous appuyez perpendiculairement au socle rotatif, ou si la pression change de sens pendant la coupe, la précision de coupe en souffrira.

## Coupe mixte

La coupe mixte consiste à appliquer un angle de coupe en biseau tout en effectuant une coupe d'onglet sur une pièce. La coupe mixte est possible à l'angle indiqué dans le tableau.

Angle de coupe d'onglet	Angle de coupe en biseau
Gauche et droite 45°	Gauche et droite 0° à 45°
Droite 52°	Gauche 20° - Droite 45°
Gauche 52°	Gauche 45° - Droite 20°

Pour effectuer une coupe mixte, reportez-vous aux explications des sections « Coupe sous presse », « Coupe d'onglet » et « Coupe en biseau ».

## Coupe d'aluminium extrudé

- Fig.48: 1. Étau 2. Bloc espaceur 3. Guide  
4. Aluminium extrudé 5. Bloc espaceur

Pour immobiliser des pièces en aluminium extrudé, utilisez des blocs espaceurs ou des morceaux de ferraille comme illustré sur la figure pour éviter une déformation de l'aluminium. Utilisez un lubrifiant de coupe pour couper de l'aluminium extrudé afin d'éviter l'accumulation de matériau en aluminium sur la lame.

**⚠ ATTENTION :** N'essayez jamais de couper des morceaux épais ou arrondis d'aluminium extrudé. Les morceaux épais d'aluminium extrudé peuvent se détacher pendant la coupe et les morceaux ronds d'aluminium extrudé ne peuvent pas être correctement immobilisés avec cet outil.

## Coupes répétées de longueur identique

Pour couper plusieurs morceaux de matériau à la même longueur, qui peut être comprise entre 200 mm et 330 mm, utilisez la plaque de fixation (accessoire en option). Installez la plaque de fixation sur sa servante (accessoire en option) comme indiqué sur la figure.

- Fig.49: 1. Plaque de fixation 2. Servante 3. Vis

Alignez la ligne de coupe de la pièce sur le côté gauche ou droit de la rainure du plateau de découpe, et tout en tenant la pièce, placez la plaque de fixation contre l'extrémité de la pièce. Fixez ensuite la plaque de fixation avec la vis. Lorsque vous ne vous servez pas de la plaque de fixation, desserrez la vis et tournez la plaque de fixation pour la dégager.

## Transport de l'outil

**⚠ AVERTISSEMENT :** La broche d'arrêt est conçue exclusivement pour le transport et le rangement de l'outil, et ne doit jamais être utilisée pour des opérations de coupe. L'utilisation de la broche d'arrêt pour les opérations de coupe peut causer le déplacement inattendu de la lame de scie et provoquer un choc en retour et de graves blessures.

**⚠ ATTENTION :** Immobilisez toujours toutes les pièces mobiles de l'outil avant de le transporter. Si des pièces de l'outil bougent pendant que vous le transportez, vous risquez d'en perdre le contrôle ou de perdre l'équilibre, ce qui comporte un risque de blessure.



1. Retirez la batterie.
2. Fixez la lame sur un angle de coupe en biseau de 0° et le socle rotatif dans la position d'angle de coupe d'onglet complètement à droite.  
► **Fig.50:** 1. Socle rotatif
3. Abaissez complètement la poignée et verrouillez-la en position inférieure en enfonçant la broche d'arrêt.
4. Saisissez l'outil par la poignée pour le transporter.  
► **Fig.51**

## ENTRETIEN

**⚠AVERTISSEMENT :** Pour obtenir de l'outil une performance optimale et une sécurité maximale, assurez-vous toujours que la lame est affûtée et propre. Si vous tentez d'effectuer la coupe avec une lame émoussée et/ou sale, cela présente un risque de choc en retour et de graves blessures.

**⚠ATTENTION :** Assurez-vous toujours que l'outil est hors tension et que la batterie est retirée avant d'y effectuer tout travail d'inspection ou d'entretien.

**REMARQUE :** N'utilisez jamais d'essence, benzine, diluant, alcool ou autre produit similaire. Cela risquerait de provoquer la décoloration, la déformation ou la fissuration de l'outil.

Pour assurer la SÉCURITÉ et la FIABILITÉ du produit, toute réparation, tout travail d'entretien ou de réglage doivent être effectués par un centre d'entretien Makita agréé, avec des pièces de rechange Makita.

## Réglage de l'angle de coupe

L'outil a été soigneusement réglé et aligné en usine, mais une manipulation maladroite a pu dérégler l'alignement. Si l'outil n'est pas aligné correctement, effectuez les opérations suivantes :

### Angle de coupe d'onglet

1. Desserrez la vis de fixation dans le sens inverse des aiguilles d'une montre.
2. Faites pivoter le socle rotatif jusqu'à ce que l'index indique 0° sur le secteur.  
► **Fig.52:** 1. Vis de fixation 2. Socle rotatif 3. Secteur 4. Index
3. Tournez le socle rotatif légèrement vers la droite et la gauche pour le caler dans l'entaille d'onglet de 0°. (Laissez-le tel quel si l'index n'indique pas 0°.)
4. Avec la clé hexagonale, desserrez les boulons à tête cylindrique à six pans creux qui retiennent le guide.  
► **Fig.53:** 1. Guide 2. Boulon à tête cylindrique à six pans creux  
► **Fig.54:** 1. Guide 2. Boulon à tête cylindrique à six pans creux

5. Abaissez complètement la poignée et verrouillez-la en position inférieure en enfonçant la broche d'arrêt.

6. Ajustez le guide jusqu'à ce qu'il soit perpendiculaire par rapport à la lame à l'aide d'une règle triangulaire, d'une équerre de menuisier, etc. Serrez ensuite à fond le boulon à tête cylindrique à six pans creux du guide.

► **Fig.55:** 1. Guide 2. Règle triangulaire 3. Lame de scie

7. Assurez-vous que l'index indique 0° sur le secteur. Si l'index n'indique pas 0°, desserrez la vis qui retient l'index et réglez ce dernier de sorte qu'il indique 0°.

► **Fig.56:** 1. Vis 2. Secteur 3. Index

### Angle de coupe en biseau

#### Angle de coupe en biseau 0°

1. Abaissez complètement la poignée et verrouillez-la en position inférieure en enfonçant la broche d'arrêt.
2. Desserrez le levier à l'arrière de l'outil.
3. Pour incliner la lame vers la droite, tournez de deux ou trois tours vers la gauche le boulon de réglage d'angle de biseau 0° du côté droit de la tête de scie.  
► **Fig.57:** 1. Boulon de réglage 2. Levier
4. Tournez avec soin vers la droite le boulon de réglage d'angle de biseau de 0° jusqu'à ce que le côté de la lame soit perpendiculaire par rapport à la surface supérieure du socle rotatif. Servez-vous de la règle triangulaire, l'équerre de menuisier, etc. comme guide. Serrez ensuite le levier fermement.  
► **Fig.58:** 1. Règle triangulaire 2. Lame de scie 3. Surface supérieure du plateau tournant

5. Assurez-vous que l'index sur le bras indique 0° sur l'échelle. S'il n'indique pas 0°, desserrez la vis qui retient l'index et réglez ce dernier de sorte qu'il indique 0°.  
► **Fig.59:** 1. Vis 2. Index 3. Échelle

#### Angle de coupe en biseau 45°

Réglez l'angle de biseau de 45° uniquement après avoir réglé l'angle de biseau de 0°.

1. Desserrez le levier et inclinez la lame complètement vers la gauche.
2. Assurez-vous que l'index sur le bras indique 45° sur l'échelle. Si l'index n'indique pas 45°, tournez le boulon de réglage d'angle de biseau de 45° sur la gauche du côté droit du bras jusqu'à ce que l'index indique 45°.  
► **Fig.60:** 1. Boulon de réglage d'angle de biseau de 45° sur la droite 2. Index 3. Boulon de réglage d'angle de biseau de 45° sur la gauche
3. Inclinez complètement la lame vers la droite, puis ajustez l'angle de biseau de 45° sur la droite avec le boulon de réglage d'angle de biseau de 45° sur la droite.  
► **Fig.61:** 1. Lame de scie 2. Règle triangulaire

## Réglage de la position du rayon laser

**⚠ AVERTISSEMENT :** La batterie doit être installée sur l'outil pendant le réglage du rayon laser. Redoublez de précaution pour ne pas mettre sous tension l'outil pendant le réglage. Le démarrage accidentel de l'outil peut entraîner de graves blessures.

**⚠ ATTENTION :** Ne regardez jamais directement le faisceau laser. Une exposition directe des yeux avec le faisceau peut provoquer de graves lésions oculaires.

**REMARQUE :** Vérifiez régulièrement la précision du rayon laser.

**REMARQUE :** Faites attention aux impacts sur l'outil. Ils peuvent désaligner le rayon laser ou endommager le laser, diminuant sa durée de vie.

**REMARQUE :** Faites réparer l'outil par un centre de service après-vente Makita agréé en cas de défaillance de l'unité laser.

La plage de mouvement du rayon laser est déterminée par les vis de réglage de la portée des deux côtés. Procédez comme indiqué ci-après pour modifier la position du rayon laser.

1. Retirez la batterie.
2. Dessinez un trait de coupe sur la pièce et placez-la sur le socle rotatif. Ne fixez pas encore la pièce avec un étau ou autre dispositif similaire de fixation.
3. Abaissez la poignée et alignez le trait de coupe avec la lame de scie.  
► Fig.62: 1. Trait de coupe
4. Ramenez la poignée sur la position initiale et fixez la pièce avec l'étau vertical de sorte que la pièce ne bouge pas de la position que vous avez déterminée.  
► Fig.63: 1. Étau
5. Installez la batterie sur l'outil et placez l'interrupteur du laser sur marche.
6. Desserrez la vis de réglage. Pour éloigner le rayon laser de la lame, tournez les vis de réglage de la portée dans le sens inverse des aiguilles d'une montre. Pour rapprocher le rayon laser de la lame, tournez la vis de réglage de la portée dans le sens des aiguilles d'une montre.

**Réglage du rayon laser du côté gauche de la lame**

- Fig.64: 1. Vis de réglage 2. Vis de réglage de la portée 3. Clé hexagonale 4. Rayon laser 5. Lame de scie

**Réglage du rayon laser du côté droit de la lame**

- Fig.65: 1. Vis de réglage de la portée 2. Clé hexagonale 3. Rayon laser 4. Lame de scie

7. Faites glisser la vis de réglage sur la position où le rayon laser tombe sur le trait de coupe, puis serrez.

**NOTE :** La plage de mouvement du rayon laser est réglée en usine à une distance de 1 mm de la surface latérale de la lame.

## Nettoyage de la lentille de la lumière laser

La lumière laser devient difficile à voir à mesure que sa lentille devient sale. Nettoyez régulièrement la lentille de la lumière laser.

Retirez la batterie. Desserrez la vis et sortez la lentille. Nettoyez délicatement la lentille avec un chiffon doux humide.

► Fig.66: 1. Vis

► Fig.67: 1. Lentille

**REMARQUE :** Ne retirez pas la vis qui maintient la lentille en place. Si la lentille ne sort pas, desserrez davantage la vis.

**REMARQUE :** N'utilisez aucun solvant ou nettoyant à base de pétrole sur la lentille.

## Après l'utilisation

Après l'utilisation, essuyez les copeaux et poussières qui adhèrent à l'outil à l'aide d'un chiffon ou d'un objet similaire. Gardez le protecteur de lame propre, conformément aux instructions fournies dans la section précédente intitulée « Protecteur de lame ». Lubrifiez les parties coulissantes avec de l'huile machine pour prévenir la formation de rouille.

## ACCESSOIRES EN OPTION

**⚠ AVERTISSEMENT :** Les accessoires ou pièces supplémentaires Makita qui suivent sont recommandés pour l'utilisation avec l'outil Makita spécifié dans ce manuel. L'utilisation de tout autre accessoire ou pièce supplémentaire peut entraîner de graves blessures.

**⚠ AVERTISSEMENT :** Utilisez l'accessoire ou la pièce supplémentaire Makita uniquement dans le but spécifié. La mauvaise utilisation d'un accessoire ou d'une pièce supplémentaire peut entraîner de graves blessures.

Pour obtenir plus de détails sur ces accessoires, contactez votre centre d'entretien local Makita.

- Lames à dents de carbure
- Ensemble de butées et tiges
- Plaque de fixation
- Bandoulière
- Batterie et chargeur Makita d'origine

**NOTE :** Il se peut que certains éléments de la liste soient compris dans l'emballage de l'outil en tant qu'accessoires standard. Ils peuvent varier d'un pays à l'autre.



# TECHNISCHE DATEN

Modell:	DLS600
Sägeblattdurchmesser	165 mm
Bohrungs-(Spindel-)durchmesser	20 mm
Max. Gehrungswinkel	Links 52°, Rechts 52°
Max. Neigungswinkel	Links 45° (46° bei Verwendung des Entriegelungshebels), Rechts 45° (46° bei Verwendung des Entriegelungshebels)
Leerlaufdrehzahl	5.000 min <sup>-1</sup>
Lasertyp	Roter Laser 650 nm, Maximale Leistung < 1,6 mW (Laserklasse 2M)
Abmessungen (L x B x H)	340 mm x 400 mm x 440 mm
Nennspannung	18 V Gleichstrom
Nettogewicht	6,3 - 6,6 kg

## Max. Schnittleistung (H x B) mit Sägeblatt 165 mm

Gehrungswinkel	Neigungswinkel		
	45° (links)	0°	45° (rechts)
0°	30 mm x 92 mm	46 mm x 92 mm	15 mm x 92 mm
45° (links und rechts)	30 mm x 65 mm	46 mm x 65 mm	15 mm x 65 mm

- Wir behalten uns vor, Änderungen der technischen Daten im Zuge der Entwicklung und des technischen Fortschritts ohne vorherige Ankündigung vorzunehmen.
- Die technischen Daten und der Akku können von Land zu Land unterschiedlich sein.
- Das Gewicht kann abhängig von dem Aufsatz (den Aufsätzen), einschließlich des Akkus, unterschiedlich sein. Die leichteste und die schwerste Kombination, gemäß dem EPTA-Verfahren 01/2014, sind in der Tabelle angegeben.

## Zutreffende Akkus und Ladegeräte

Akku	BL1815N / BL1820B / BL1830B / BL1840B / BL1850B / BL1860B
Ladegerät	DC18RC / DC18RD / DC18RE / DC18SD / DC18SE / DC18SF / DC18SH

- Einige der oben aufgelisteten Akkus und Ladegeräte sind je nach Ihrem Wohngebiet eventuell nicht erhältlich.

**⚠️ WARNUNG:** Verwenden Sie nur die oben aufgeführten Akkus und Ladegeräte. Bei Verwendung irgendwelcher anderer Akkus und Ladegeräte besteht Verletzungs- und/oder Brandgefahr.

## Symbole

Nachfolgend werden Symbole beschrieben, die für das Gerät verwendet werden können. Machen Sie sich unbedingt vor der Benutzung mit ihrer Bedeutung vertraut.

	Betriebsanleitung lesen.
	Schutzbrille tragen.
	Um Verletzungen durch herausgeschleuderte Teile zu vermeiden, halten Sie den Sägekopf nach Ausführung von Schnitten abgesenkt, bis das Sägeblatt völlig zum Stillstand gekommen ist.
	Halten Sie Hände oder Finger vom Sägeblatt fern.



Blicken Sie auf keinen Fall in den Laserstrahl. Der direkte Laserstrahl kann Ihre Augen verletzen.



Nur für EU-Länder  
Aufgrund des Vorhandenseins gefährlicher Komponenten in der Ausrüstung können Elektro- und Elektronik-Altgeräte, Akkumulatoren und Batterien sich negativ auf die Umwelt und die menschliche Gesundheit auswirken. Entsorgen Sie Elektro- und Elektronikgeräte oder Batterien nicht mit dem Hausmüll!  
In Übereinstimmung mit der Europäischen Richtlinie über Elektro- und Elektronik-Altgeräte, Akkumulatoren und Batterien, verbrauchte Akkumulatoren und Batterien sowie ihrer Anpassung an nationales Recht sollten Elektro-Altgeräte, Batterien und Akkumulatoren gemäß den Umweltschutzbestimmungen getrennt gelagert und zu einer getrennten Sammelstelle für Siedlungsabfälle geliefert werden. Dies wird durch das am Gerät angebrachte Symbol der durchgestrichenen Abfalltonne auf Rädern angezeigt.

## Vorgesehene Verwendung

Das Werkzeug ist für genaue Gerad- und Gehrungsschnitte in Holz vorgesehen. Verwenden Sie die Säge nur zum Schneiden von Holz, Aluminium oder ähnlichen Materialien.

## Geräusch

Typischer A-bewerteter Geräuschpegel ermittelt gemäß EN62841-3-9:

Schalldruckpegel ( $L_{pA}$ ): 90 dB (A)

Schalleistungspegel ( $L_{WA}$ ): 97 dB (A)

Messunsicherheit (K): 3 dB (A)

**HINWEIS:** Der (Die) angegebene(n) Schallemissionswert(e) wurde(n) im Einklang mit der Standardprüfmethode gemessen und kann (können) für den Vergleich zwischen Werkzeugen herangezogen werden.

**HINWEIS:** Der (Die) angegebene(n) Schallemissionswert(e) kann (können) auch für eine Vorbewertung des Gefährdungsgrads verwendet werden.

**⚠️ WARNUNG:** Einen Gehörschutz tragen.

**⚠️ WARNUNG:** Die Schallemission während der tatsächlichen Benutzung des Elektrowerkzeugs kann je nach der Benutzungsweise des Werkzeugs, und speziell je nach der Art des bearbeiteten Werkstücks, von dem (den) angegebenen Wert(en) abweichen.

**⚠️ WARNUNG:** Identifizieren Sie Sicherheitsmaßnahmen zum Schutz des Benutzers anhand einer Schätzung des Gefährdungsgrads unter den tatsächlichen Benutzungsbedingungen (unter Berücksichtigung aller Phasen des Arbeitszyklus, wie z. B. Ausschalt- und Leerlaufzeiten des Werkzeugs zusätzlich zur Betriebszeit).

## Schwingungen

Schwingungsgesamtwert (Drei-Achsen-Vektorsumme) ermittelt gemäß EN62841-3-9:

Schwingungsemission ( $a_h$ ): 2,5 m/s<sup>2</sup> oder weniger

Messunsicherheit (K): 1,5 m/s<sup>2</sup>

**HINWEIS:** Der (Die) angegebene(n) Vibrationsgesamtwert(e) wurde(n) im Einklang mit der Standardprüfmethode gemessen und kann (können) für den Vergleich zwischen Werkzeugen herangezogen werden.

**HINWEIS:** Der (Die) angegebene(n) Vibrationsgesamtwert(e) kann (können) auch für eine Vorbewertung des Gefährdungsgrads verwendet werden.

**⚠️ WARNUNG:** Die Vibrationsemission während der tatsächlichen Benutzung des Elektrowerkzeugs kann je nach der Benutzungsweise des Werkzeugs, und speziell je nach der Art des bearbeiteten Werkstücks, von dem (den) angegebenen Emissionswert(en) abweichen.

**⚠️ WARNUNG:** Identifizieren Sie Sicherheitsmaßnahmen zum Schutz des Benutzers anhand einer Schätzung des Gefährdungsgrads unter den tatsächlichen Benutzungsbedingungen (unter Berücksichtigung aller Phasen des Arbeitszyklus, wie z. B. Ausschalt- und Leerlaufzeiten des Werkzeugs zusätzlich zur Betriebszeit).

## EG-Konformitätserklärung

### Nur für europäische Länder

Die EG-Konformitätserklärung ist als Anhang A in dieser Bedienungsanleitung enthalten.

## SICHERHEITSWARNUNGEN

### Allgemeine Sicherheitswarnungen für Elektrowerkzeuge

**⚠️ WARNUNG:** Lesen Sie alle mit diesem Elektrowerkzeug gelieferten Sicherheitswarnungen, Anweisungen, Abbildungen und technischen Daten durch. Eine Missachtung der unten aufgeführten Anweisungen kann zu einem elektrischen Schlag, Brand und/oder schweren Verletzungen führen.

### Bewahren Sie alle Warnungen und Anweisungen für spätere Bezugnahme auf.

Der Ausdruck „Elektrowerkzeug“ in den Warnhinweisen bezieht sich auf Ihr mit Netzstrom (mit Kabel) oder Akku (ohne Kabel) betriebenes Elektrowerkzeug.

### Sicherheitsanweisungen für Gehrungssägen

- Gehrungssägen sind zum Schneiden von Holz oder holzähnlichen Produkten vorgesehen. Sie können nicht mit Trennschleifscheiben zum Schneiden von Eisenmaterial, wie z. B. Stäben, Stangen, Bolzen usw., verwendet werden.** Schleifstaub kann Klemmen von beweglichen Teilen, wie z. B. der unteren Schutzhaube, verursachen. Beim Trennschleifen entstehende Funken verbrennen die untere Schutzhaube, den Schnittfugeneinsatz und andere Kunststoffteile.
- Stützen Sie das Werkstück nach Möglichkeit immer mit Klemmen ab. Wenn Sie das Werkstück mit der Hand abstützen, müssen Sie Ihre Hand immer mindestens 100 mm von beiden Seiten des Sägeblatts entfernt halten. Verwenden Sie diese Säge nicht zum Schneiden von Werkstücken, die zu klein sind, um sicher eingespannt oder von Hand gehalten zu werden.** Wenn Sie Ihre Hand zu nah an das Sägeblatt halten, besteht erhöhte Verletzungsgefahr durch Kontakt mit dem Sägeblatt.

3. **Das Werkstück muss stationär sein und sowohl gegen den Gehrungsanschlag als auch den Tisch geklemmt oder gehalten werden. Schieben Sie das Werkstück nicht in das Sägeblatt, und schneiden Sie auch nicht „freihändig“ in irgendeiner Weise.** Nicht gesicherte oder bewegliche Werkstücke könnten mit hoher Geschwindigkeit herausgeschleudert werden und Verletzungen verursachen.
4. **Halten Sie niemals Ihre Hand über die beabsichtigte Schnittlinie, weder vor noch hinter dem Sägeblatt.** Abstützen des Werkstücks mit „überkreuzter Hand“, d. h. Halten des Werkstücks rechts vom Sägeblatt mit der linken Hand oder umgekehrt, ist sehr gefährlich.
  - **Abb. 1**
5. **Reichen Sie bei rotierendem Sägeblatt nicht hinter den Gehrungsanschlag, so dass sich eine Ihrer Hände näher als 100 mm links oder rechts des Sägeblatts befindet, um Holzabfälle zu entfernen, oder aus anderen Gründen.** Es mag nicht offensichtlich sein, wie nah sich Ihre Hand am Sägeblatt befindet, und Sie können sich ernsthaft verletzen.
6. **Überprüfen Sie Ihr Werkstück vor dem Schneiden. Falls das Werkstück verbogen oder verzogen ist, spannen Sie es mit der äußeren gebogenen Seite zum Gehrungsanschlag gerichtet ein. Vergewissern Sie sich stets, dass keine Lücke zwischen Werkstück, Gehrungsanschlag und Tisch entlang der Schnittlinie vorhanden ist.** Verbogene oder verzogene Werkstücke neigen zum Drehen oder Verlagern und können beim Schneiden Klemmen am rotierenden Sägeblatt verursachen. Es dürfen keine Nägel oder Fremdkörper im Werkstück vorhanden sein.
7. **Benutzen Sie die Säge nicht eher, bis sämtliche Werkzeuge, Holzabfälle usw. außer dem Werkstück vom Tisch weggeräumt sind.** Kleine Bruchstücke, lose Holzstücke oder andere Objekte, die das rotierende Sägeblatt berühren, können mit hoher Geschwindigkeit herausgeschleudert werden.
8. **Schneiden Sie nur jeweils ein Werkstück.** Mehrere übereinander gestapelte Werkstücke lassen sich nicht angemessen einspannen oder abstützen und können am Sägeblatt klemmen oder sich während des Schneidens verlagern.
9. **Vergewissern Sie sich vor Gebrauch, dass die Gehrungssäge auf einer ebenen, stabilen Arbeitsfläche montiert oder platiert ist.** Eine ebene und stabile Arbeitsfläche verringert die Gefahr, dass die Gehrungssäge instabil wird.
10. **Planen Sie Ihre Arbeit. Stellen Sie bei jeder Änderung der Neigungs- oder Gehrungswinkeleinstellung sicher, dass der verstellbare Gehrungsanschlag korrekt eingestellt ist, um das Werkstück abzustützen, und dass er nicht mit dem Sägeblatt oder dem Schutzsystem in Berührung kommt.** Bewegen Sie das Sägeblatt durch einen vollständigen simulierten Schnitt, ohne das Werkzeug einzuschalten und ein Werkstück auf den Tisch zu legen, um zu gewährleisten, dass es nicht zu einer Berührung oder der Gefahr des Schneidens in den Gehrungsanschlag kommt.
11. **Sorgen Sie für angemessene Abstützung eines Werkstücks, das breiter oder länger als die Tischplatte ist, z. B. durch Tischverlängerungen, Sägeböcke usw.** Werkstücke, die länger oder breiter als der Tisch der Gehrungssäge sind, können kippen, wenn sie nicht sicher abgestützt werden. Falls das abgeschnittene Stück oder Werkstück kippt, kann es die untere Schutzhaube anheben oder vom rotierenden Sägeblatt weggeschleudert werden.
12. **Verwenden Sie keine zweite Person als Ersatz für eine Tischverlängerung oder zur zusätzlichen Abstützung.** Instabile Abstützung des Werkstücks kann dazu führen, dass das Sägeblatt klemmt oder das Werkstück sich während des Schneidvorgangs verlagert, so dass Sie und der Helfer in das rotierende Sägeblatt gezogen werden.
13. **Das abgeschnittene Stücke darf nicht in irgendeiner Weise gegen das rotierende Sägeblatt geklemmt oder gedrückt werden.** Bei Einengung, z. B. durch Längenanschläge, könnte sich das abgeschnittene Stück gegen das Sägeblatt verkeilen und heftig herausgeschleudert werden.
14. **Verwenden Sie stets eine Klemme oder eine Einspannvorrichtung, um Rundmaterial, wie z. B. Stangen oder Rohre, einwandfrei abzustützen.** Stangen neigen beim Schneiden zum Rollen, so dass das Sägeblatt „beißt“ und das Werkstück mit Ihrer Hand in das Sägeblatt zieht.
15. **Warten Sie, bis das Sägeblatt die volle Drehzahl erreicht, bevor es das Werkstück kontaktiert.** Dadurch wird die Gefahr des Herausschleuderns des Werkstücks verringert.
16. **Falls das Werkstück oder das Sägeblatt eingeklemmt wird, schalten Sie die Gehrungssäge aus. Warten Sie, bis alle beweglichen Teile zum Stillstand gekommen sind, und ziehen Sie dann den Stecker von der Stromquelle ab und/oder nehmen Sie den Akku ab. Befreien Sie dann das eingeklemmte Material.** Fortgesetztes Sägen mit einem eingeklemmten Werkstück könnte zum Verlust der Kontrolle oder zu einer Beschädigung der Gehrungssäge führen.
17. **Nachdem Sie den Schnitt vollendet haben, lassen Sie den Schalter los, halten Sie den Sägekopf nach unten, und warten Sie, bis das Sägeblatt zum Stillstand kommt, bevor Sie das abgeschnittene Stück entfernen.** Es ist gefährlich, mit Ihrer Hand in die Nähe des auslaufenden Sägeblatts zu reichen.
18. **Halten Sie den Handgriff sicher fest, wenn Sie einen unvollständigen Schnitt ausführen oder den Schalter loslassen, bevor sich der Sägekopf vollständig in der abgesenkten Position befindet.** Die Abbremsung der Säge kann bewirken, dass der Sägekopf plötzlich nach unten gezogen wird, so dass Verletzungsgefahr besteht.
19. **Verwenden Sie nur Sägeblätter mit einem Durchmesser, der am Werkzeug markiert oder im Handbuch angegeben ist.** Die Verwendung eines Sägeblatts mit falscher Größe kann den einwandfreien Schutz des Sägeblatts oder den Schutzbetrieb beeinträchtigen, was ernsthaften Personenschaden zur Folge haben kann.

20. Verwenden Sie nur Sägeblätter, die mit einer Drehzahl markiert sind, die der am Werkzeug angegebenen Drehzahl entspricht oder diese übertrifft.
21. Verwenden Sie die Säge nur zum Schneiden von Holz, Aluminium oder ähnlichen Materialien.
22. (Nur für europäische Länder)  
Verwenden Sie immer ein Sägeblatt, das EN847-1 entspricht.

#### Zusätzliche Anweisungen

1. Machen Sie die Werkstatt mit Vorhängeschlössern kindersicher.
2. Stellen Sie sich niemals auf das Werkzeug. Durch Kippen des Werkzeugs oder versehentliche Berührung mit dem Schneidwerkzeug könnten ernsthafte Verletzungen auftreten.
3. Lassen Sie das Werkzeug niemals unbeaufsichtigt laufen. Schalten Sie die Stromversorgung aus. Verlassen Sie das Werkzeug nicht eher, bis es zu einem vollständigen Stillstand gekommen ist.
4. Betreiben Sie die Säge nicht ohne Schutzhauben. Überprüfen Sie die Sägeblattschutzhaube vor jeder Benutzung auf einwandfreies Schließen. Betreiben Sie die Säge nicht, wenn sich die Schutzhaube nicht ungehindert bewegt und sich nicht sofort schließt. Die Schutzhaube darf auf keinen Fall in der geöffneten Stellung festgeklemmt oder festgebunden werden.
5. Halten Sie Ihre Hände von der Schnittlinie des Sägeblatts fern. Vermeiden Sie die Berührung eines auslaufenden Sägeblatts. Es kann auch in diesem Zustand noch schwere Verletzungen verursachen.
6. Sichern Sie stets alle beweglichen Teile, bevor Sie das Werkzeug tragen.
7. Der Anschlagstift, der den Schneidkopf verriegelt, ist nur zum Tragen und zur Lagerung, nicht für irgendwelche Schneidarbeiten, vorgesehen.
8. Überprüfen Sie das Sägeblatt vor dem Betrieb sorgfältig auf Risse oder Beschädigung. Wechseln Sie ein gerissenes oder beschädigtes Sägeblatt unverzüglich aus. An den Sägeblättern haftendes und verhärtetes Gummi und Harz verlangsamen die Säge und erhöhen die Rückschlaggefahr. Halten Sie das Sägeblatt sauber, indem Sie es vom Werkzeug abmontieren und dann mit Gummi- und Harzentferner, heißem Wasser oder Petroleum reinigen. Verwenden Sie niemals Benzin zum Reinigen des Sägeblatts.
9. Verwenden Sie nur die für dieses Werkzeug vorgeschriebenen Flansche.
10. Achten Sie sorgfältig darauf, dass die Spindel, die Flansche (insbesondere die Ansatzfläche) oder die Schraube nicht beschädigt werden. Eine Beschädigung dieser Teile kann zu einem Sägeblattbruch führen.

11. Vergewissern Sie sich, dass der Drehteller einwandfrei gesichert ist, damit er sich während des Betriebs nicht bewegt. Verwenden Sie die Löcher in der Grundplatte, um die Säge an einer stabilen Arbeitsbühne oder Werkbank zu befestigen. Benutzen Sie das Werkzeug NIEMALS in Situationen, bei denen der Bediener gezwungen wäre, eine ungünstige Position einzunehmen.
12. Vergewissern Sie sich vor dem Einschalten des Werkzeugs, dass die Spindelarretierung freigegeben ist.
13. Vergewissern Sie sich, dass das Sägeblatt in der tiefsten Position nicht mit dem Drehteller in Berührung kommt.
14. Halten Sie den Handgriff sicher fest. Beachten Sie, dass sich die Säge beim Anlaufen und Abstellen geringfügig nach oben oder unten bewegt.
15. Vergewissern Sie sich vor dem Einschalten des Werkzeugs, dass das Sägeblatt nicht das Werkstück berührt.
16. Lassen Sie das Werkzeug vor dem eigentlichen Schneiden eines Werkstücks eine Weile laufen. Achten Sie auf Vibrationen oder Taumelbewegungen, die Anzeichen für schlechte Montage oder ein schlecht ausgewuchtetes Sägeblatt sein können.
17. Brechen Sie sofort den Betrieb ab, wenn Sie irgend etwas Ungewöhnliches bemerken.
18. Versuchen Sie nicht, den Auslöser in der EIN-Stellung zu verriegeln.
19. Verwenden Sie stets das in dieser Anleitung empfohlene Zubehör. Der Gebrauch ungeeigneten Zubehörs, wie z. B. Schleifscheiben, kann Verletzungen zur Folge haben.
20. Manche Materialien können giftige Chemikalien enthalten. Treffen Sie Vorsichtsmaßnahmen, um das Einatmen von Arbeitsstaub und Hautkontakt zu verhindern. Befolgen Sie die Sicherheitsdaten des Materialherstellers.

#### Zusätzliche Sicherheitsregeln für den Laser

1. **LASERSTRAHLUNG. NICHT IN DEN STRAHL BLICKEN ODER DIREKT MIT OPTISCHEN INSTRUMENTEN BETRACHTEN. LASERPRODUKT DER KLASSE 2M.**

## BEWAHREN SIE DIESE ANLEITUNG AUF.

**▲ WARNUNG:** Lassen Sie sich NICHT durch Bequemlichkeit oder Vertrautheit mit dem Produkt (durch wiederholten Gebrauch erworben) von der strikten Einhaltung der Sicherheitsregeln für das vorliegende Produkt abhalten. MISSBRAUCH oder Missachtung der Sicherheitsvorschriften in dieser Anleitung können schwere Personenschäden verursachen.

## Wichtige Sicherheitsanweisungen für Akku

1. **Lesen Sie vor der Benutzung des Akkus alle Anweisungen und Warnhinweise, die an (1) Ladegerät, (2) Akku und (3) Akkuwerkzeug angebracht sind.**
2. **Unterlassen Sie Zerlegen oder Manipulieren des Akkus.** Es kann sonst zu einem Brand, übermäßiger Hitzeentwicklung oder einer Explosion kommen.
3. **Falls die Betriebszeit beträchtlich kürzer geworden ist, stellen Sie den Betrieb sofort ein.** Anderenfalls besteht die Gefahr von Überhitzung, möglichen Verbrennungen und sogar einer Explosion.
4. **Falls Elektrolyt in Ihre Augen gelangt, waschen Sie sie mit sauberem Wasser aus, und begeben Sie sich unverzüglich in ärztliche Behandlung.** Anderenfalls können Sie Ihre Sehkraft verlieren.
5. **Der Akku darf nicht kurzgeschlossen werden:**
  - (1) **Die Kontakte dürfen nicht mit leitfähigem Material berührt werden.**
  - (2) **Lagern Sie den Akku nicht in einem Behälter zusammen mit anderen Metallgegenständen, wie z. B. Nägel, Münzen usw.**
  - (3) **Setzen Sie den Akku weder Wasser noch Regen aus.****Ein Kurzschluss des Akkus verursacht starken Stromfluss, der Überhitzung, mögliche Verbrennungen und einen Defekt zur Folge haben kann.**
6. **Lagern und benutzen Sie das Werkzeug und den Akku nicht an Orten, an denen die Temperatur 50 °C erreichen oder überschreiten kann.**
7. **Versuchen Sie niemals, den Akku zu verbrennen, selbst wenn er stark beschädigt oder vollkommen verbraucht ist. Der Akku kann im Feuer explodieren.**
8. **Unterlassen Sie Nageln, Schneiden, Zerquetschen, Werfen, Fallenlassen des Akkus oder Schlagen des Akkus mit einem harten Gegenstand.** Eine solche Handlung kann zu einem Brand, übermäßiger Hitzeentwicklung oder einer Explosion führen.
9. **Benutzen Sie keine beschädigten Akkus.**
10. **Die enthaltenen Lithium-Ionen-Akkus unterliegen den Anforderungen der Gefahrgut-Gesetzgebung.** Für kommerzielle Transporte, z. B. durch Dritte oder Spediteure, müssen besondere Anforderungen zu Verpackung und Etikettierung beachtet werden. Zur Vorbereitung des zu transportierenden Artikels ist eine Beratung durch einen Experten für Gefahrgut erforderlich. Bitte beachten Sie möglicherweise ausführlichere nationale Vorschriften. Überkleben oder verdecken Sie offene Kontakte, und verpacken Sie den Akku so, dass er sich in der Verpackung nicht umher bewegen kann.
11. **Entfernen Sie den Akku zum Entsorgen vom Werkzeug, und entsorgen Sie ihn an einem sicheren Ort. Befolgen Sie die örtlichen Vorschriften bezüglich der Entsorgung von Akkus.**

12. **Verwenden Sie die Akkus nur mit den von Makita angegebenen Produkten.** Das Einsetzen der Akkus in nicht konforme Produkte kann zu einem Brand, übermäßiger Hitzebildung, einer Explosion oder Auslaufen von Elektrolyt führen.
13. **Soll das Werkzeug längere Zeit nicht benutzt werden, muss der Akku vom Werkzeug entfernt werden.**
14. **Bei und nach dem Gebrauch kann der Akku heiß werden, was Verbrennungen oder Niedertemperaturverbrennungen verursachen kann.** Beachten Sie die Handhabung von heißen Akkus.
15. **Berühren Sie nicht den Anschlusskontakt des Werkzeugs unmittelbar nach dem Gebrauch, da er heiß genug werden kann, um Verbrennungen zu verursachen.**
16. **Achten Sie darauf, dass sich keine Späne, Staub oder Schmutz in den Anschlusskontakten, Löchern und Nuten des Akkus absetzen.** Es könnte sonst zu Erhitzung, Brandauslösung, Bersten und Funktionsstörungen des Werkzeugs oder des Akkus kommen, was zu Verbrennungen oder Personenschäden führen kann.
17. **Wenn das Werkzeug den Einsatz in der Nähe einer Hochspannungs-Stromleitung nicht unterstützt, benutzen Sie den Akku nicht in der Nähe einer Hochspannungs-Stromleitung.** Dies kann zu einer Funktionsstörung oder Betriebsstörung des Werkzeugs oder des Akkus führen.
18. **Halten Sie die Batterie von Kindern fern.**

## DIESE ANWEISUNGEN AUFBEWAHREN.

**⚠ VORSICHT:** Verwenden Sie nur Original-Makita-Akkus. Die Verwendung von Nicht-Original-Makita-Akkus oder von Akkus, die abgeändert worden sind, kann zum Bersten des Akkus und daraus resultierenden Bränden, Personenschäden und Beschädigung führen. Außerdem wird dadurch die Makita-Garantie für das Makita-Werkzeug und -Ladegerät ungültig.

## Hinweise zur Aufrechterhaltung der maximalen Akku-Nutzungsdauer

1. **Laden Sie den Akku, bevor er vollkommen erschöpft ist. Schalten Sie das Werkzeug stets aus, und laden Sie den Akku, wenn Sie ein Nachlassen der Werkzeugleistung feststellen.**
2. **Unterlassen Sie erneutes Laden eines voll aufgeladenen Akkus. Überladen führt zu einer Verkürzung der Nutzungsdauer des Akkus.**
3. **Laden Sie den Akku bei Raumtemperatur zwischen 10 – 40 °C. Lassen Sie einen heißen Akku abkühlen, bevor Sie ihn laden.**
4. **Wenn Sie den Akku nicht benutzen, nehmen Sie ihn vom Werkzeug oder Ladegerät ab.**
5. **Der Akku muss geladen werden, wenn er lange Zeit (länger als sechs Monate) nicht benutzt wird.**

# BEZEICHNUNG DER TEILE

► **Abb.2**

1	Einschaltsperrknopf	2	Ein-Aus-Schalter	3	Handgriff	4	Sägeblattgehäuse
5	Messer	6	Sägeblattschutzhaube	7	Zusatzanschlag	8	Kleiner Zusatzanschlag
9	Grundplatte	10	Dreheller	11	Gehrungsanschlag	12	Vertikal-Schraubstock
13	Staubsaack	14	Absaugstutzen	15	Mittenabdeckung	-	-

► **Abb.3**

16	Lampe	17	Akku	18	Inbusschlüssel	19	Entriegelungshebel
20	Hebel (für Neigungswinkel-Einstellung)	21	Schlitzplatte	22	Untergrenzen-Einstellschraube	23	Lampenschalter
24	Laserschalter	-	-	-	-	-	-

## INSTALLATION

### Werkbankmontage

**⚠️ WARNUNG:** Stellen Sie sicher, dass sich das Werkzeug auf der Stützfläche nicht verschiebt. Eine Verschiebung der Gehrungssäge auf der Stützfläche während des Schneidbetriebs kann zu einem Verlust der Kontrolle und schweren Verletzungen führen.

1. Befestigen Sie die Basis mit zwei Schrauben auf einer ebenen und stabilen Oberfläche. Dadurch werden Umkippen und mögliche Verletzungen vermieden.

► **Abb.4:** 1. Schraube

## FUNKTIONSBESCHREIBUNG

**⚠️ WARNUNG:** Vergewissern Sie sich vor der Durchführung von Einstellungen oder Funktionsprüfungen des Werkzeugs stets, dass das Werkzeug ausgeschaltet und der Akku abgenommen ist. Werden Ausschalten des Werkzeugs und Abnehmen des Akkus unterlassen, kann es zu schweren Verletzungen durch versehentliches Anlaufen kommen.

### Anbringen und Abnehmen des Akkus

**⚠️ VORSICHT:** Schalten Sie das Werkzeug stets aus, bevor Sie den Akku anbringen oder abnehmen.

**⚠️ VORSICHT:** Halten Sie das Werkzeug und den Akku beim Anbringen oder Abnehmen des Akkus sicher fest. Wenn Sie das Werkzeug und den Akku nicht sicher festhalten, können sie Ihnen aus der Hand rutschen, was zu einer Beschädigung des Werkzeugs und des Akkus und zu Körperverletzungen führen kann.

► **Abb.5:** 1. Rote Anzeige 2. Knopf 3. Akku

Ziehen Sie den Akku zum Abnehmen vom Werkzeug ab, während Sie den Knopf an der Vorderseite des Akkus verschieben.

Richten Sie zum Anbringen des Akkus dessen Führungsfeder auf die Nut im Gehäuse aus, und schieben Sie den Akku hinein. Schieben Sie ihn vollständig ein, bis er mit einem hörbaren Klicken einrastet. Falls die rote Anzeige an der Oberseite des Knopfes sichtbar ist, ist der Akku nicht vollständig verriegelt.

**⚠️ VORSICHT:** Schieben Sie den Akku stets bis zum Anschlag ein, bis die rote Anzeige nicht mehr sichtbar ist. Anderenfalls kann er aus dem Werkzeug herausfallen und Sie oder umstehende Personen verletzen.

**⚠️ VORSICHT:** Unterlassen Sie Gewaltanwendung beim Anbringen des Akkus. Falls der Akku nicht reibungslos hineingleitet, ist er nicht richtig ausgerichtet.

### Werkzeug/Akku-Schutzsystem


Das Werkzeug ist mit einem Werkzeug/Akku-Schutzsystem ausgestattet. Dieses System schaltet die Stromversorgung des Motors automatisch ab, um die Lebensdauer von Werkzeug und Akku zu verlängern. Das Werkzeug bleibt während des Betriebs automatisch stehen, wenn das Werkzeug oder der Akku einer der folgenden Bedingungen unterliegt:

### Überlastschutz

Wird das Werkzeug auf eine Weise benutzt, die eine ungewöhnlich hohe Stromaufnahme bewirkt, bleibt es ohne jegliche Anzeige automatisch stehen. Schalten Sie in dieser Situation das Werkzeug aus, und brechen Sie die Arbeit ab, die eine Überlastung des Werkzeugs verursacht hat. Schalten Sie dann das Werkzeug wieder ein, um neu zu starten.



## Überhitzungsschutz

<input type="checkbox"/> Ein	<input checked="" type="checkbox"/> Blinkend
	


Wenn das Werkzeug überhitzt wird, bleibt es automatisch stehen, und die Akku-Anzeige blinkt etwa 60 Sekunden lang. Lassen Sie das Werkzeug in dieser Situation abkühlen, bevor Sie es wieder einschalten.

## Überentladungsschutz

Wenn die Akkukapazität niedrig wird, schaltet sich das Werkzeug automatisch aus. Falls das Produkt trotz Betätigung der Schalter nicht funktioniert, entfernen Sie die Akkus vom Werkzeug, und laden Sie sie auf.

## Aufheben der Sperre durch Schutzsystem

Wenn das Schutzsystem wiederholt aktiviert wird, wird das Werkzeug verriegelt, und die Akku-Anzeige blinkt.



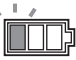

<input checked="" type="checkbox"/> Blinkend


Schalten Sie in diesem Fall den Schalter aus, beseitigen Sie die Ursache, die das Schutzsystem aktiviert, und schalten Sie dann den Schalter wieder ein. Falls das Werkzeug nach dem erneuten Einschalten des Schalters nicht funktioniert, entnehmen Sie den Akku, und laden Sie ihn auf.

## Anzeigen der Akku-Restkapazität

► **Abb.6:** 1. Akku-Anzeige

Wenn Sie den Auslöseschalter betätigen, zeigt die Akku-Anzeige die Akku-Restkapazität an.








Status der Akku-Anzeige			Akku-Restkapazität
<input type="checkbox"/> Ein	<input type="checkbox"/> Aus	<input checked="" type="checkbox"/> Blinkend	
			50% bis 100%
			20% bis 50%
			0% bis 20%
			Akku aufladen

## Anzeigen der Akku-Restkapazität

**Nur für Akkus mit Anzeige**

► **Abb.7:** 1. Anzeigelampen 2. Prüftaste

Drücken Sie die Prüftaste am Akku, um die Akku-Restkapazität anzuzeigen. Die Anzeigelampen leuchten wenige Sekunden lang auf.



Anzeigelampen			Restkapazität
<input checked="" type="checkbox"/> Erleuchtet	<input type="checkbox"/> Aus	<input checked="" type="checkbox"/> Blinkend	
			75% bis 100%
			50% bis 75%
			25% bis 50%
			0% bis 25%
			Den Akku aufladen.
			Möglicherweise liegt eine Funktionsstörung im Akku vor.

**HINWEIS:** Abhängig von den Benutzungsbedingungen und der Umgebungstemperatur kann die Anzeige geringfügig von der tatsächlichen Kapazität abweichen.

**HINWEIS:** Die erste (äußerste linke) Anzeigelampe blinkt, wenn das Akku-Schutzsystem aktiv ist.

## Automatische Drehzahlwechselfunktion

► **Abb.8:** 1. Betriebsart-Anzeige

Betriebsart-Anzeigestatus	Betriebsart
	Hochdrehzahl-Modus
	Hochdrehmoment-Modus

Dieses Werkzeug verfügt über einen „Hochdrehzahl-Modus“ und einen „Hochdrehmoment-Modus“. Es wechselt die Betriebsart automatisch abhängig von der Arbeitslast. Wenn die Betriebsart-Anzeige während des Betriebs aufleuchtet, befindet sich das Werkzeug im Hochdrehmoment-Modus.

## Anschlagstift

**⚠ VORSICHT:** Halten Sie stets den Handgriff fest, wenn Sie den Anschlagstift freigeben. Anderenfalls kann der Handgriff hochschnellen und Personenschaden verursachen.

Um den Anschlagstift freizugeben, üben Sie geringen Abwärtsdruck auf den Handgriff aus, und ziehen Sie dann den Anschlagstift heraus.

► **Abb.9:** 1. Anschlagstift

## Sägeblattschutzhaube

**⚠️ WARNUNG:** Die Sägeblattschutzhaube oder die daran angebrachte Feder darf auf keinen Fall funktionsunfähig gemacht oder entfernt werden. Ein wegen fehlender Schutzhaube freiliegendes Sägeblatt kann schwere Verletzungen während des Betriebs verursachen.

**⚠️ WARNUNG:** Benutzen Sie das Werkzeug niemals mit beschädigter, defekter oder fehlender Sägeblattschutzhaube oder Feder. Der Betrieb des Werkzeugs mit beschädigter, defekter oder entfernter Schutzhaube kann zu schweren Personenschäden führen.

**⚠️ VORSICHT:** Halten Sie die Schutzhaube stets in gutem Zustand, um sicheren Betrieb zu gewährleisten. Halten Sie den Betrieb sofort an, falls Sie irgendeine Unregelmäßigkeit an der Sägeblattschutzhaube feststellen. Überprüfen Sie die gefederte Rückkehrbewegung der Schutzhaube.

► **Abb.10:** 1. Sägeblattschutzhaube

Wird der Handgriff abgenommen, hebt sich die Sägeblattschutzhaube automatisch. Die Schutzhaube ist gefedert, so dass sie in ihre Ausgangsstellung zurückkehrt, wenn der Schnitt vollendet ist und der Handgriff angehoben wird.

### Reinigen

► **Abb.11:** 1. Sägeblattschutzhaube

Wenn die transparente Sägeblattschutzhaube schmutzig wird oder so viel Sägemehl an ihr haftet, dass das Sägeblatt und/oder Werkstück nicht mehr ohne weiteres sichtbar ist, sollten Sie den Akku abnehmen und die Schutzhaube mit einem feuchten Tuch sorgfältig reinigen. Verwenden Sie keine Lösungsmittel oder Reinigungsmittel auf Petroleumbasis zum Reinigen der Kunststoff-Schutzhaube, weil sie dadurch beschädigt werden kann.

Heben Sie die Sägeblattschutzhaube zum Reinigen an, wie in „Montieren und Demontieren des Sägeblatts“ beschrieben.

Senken Sie das Sägeblatt und die Mittenabdeckung nach der Reinigung wieder ab, und ziehen Sie die Innensechskantschraube an.

1. Vergewissern Sie sich, dass das Werkzeug ausgeschaltet ist und die Akkus abgenommen sind.
2. Drehen Sie die Innensechskantschraube mit dem mitgelieferten Inbusschlüssel gegen den Uhrzeigersinn, während Sie die Mittenabdeckung festhalten.
3. Heben Sie die Sägeblattschutzhaube und die Mittenabdeckung an.
4. Wenn die Reinigung abgeschlossen ist, bringen Sie die Mittenabdeckung wieder an, und ziehen Sie die Innensechskantschraube an, indem Sie die obigen Schritte umgekehrt anwenden.

**⚠️ WARNUNG:** Entfernen Sie nicht die Feder, welche die Sägeblattschutzhaube hält. Falls die Schutzhaube im Laufe der Zeit oder durch UV-Strahlung beschädigt wird, wenden Sie sich für ein Ersatzteil an eine Makita-Kundendienststelle. **DIE SCHUTZHAUBE DARF NICHT FUNKTIONSFÄHIG GEMACHT ODER ENTFERNT WERDEN.**

## Positionieren der Schlitzplatte

Dieses Werkzeug ist mit Schlitzplatten im Drehteller versehen, um Reißen am Austrittsende eines Schnitts auf ein Minimum zu reduzieren. Die Schlitzplatten sind werkseitig so eingestellt, dass das Sägeblatt nicht mit ihnen in Berührung kommt. Stellen Sie die Schlitzplatten vor dem Gebrauch wie folgt ein:

1. Nehmen Sie unbedingt den Akku ab. Drehen Sie dann alle Befestigungsschrauben der Schlitzplatten (je 2 auf der linken und rechten Seite) heraus.

► **Abb.12:** 1. Schlitzplatte 2. Schraube

2. Ziehen Sie die Schrauben nur so weit an, dass sich die Schlitzplatten noch leicht von Hand bewegen lassen.

3. Senken Sie den Handgriff völlig ab, und schieben Sie den Anschlagstift hinein, um den Handgriff in der Tiefstellung zu verriegeln.

4. Stellen Sie die Schlitzplatten so ein, dass sie die Seiten der Sägeblattzähne nur leicht berühren.

► **Abb.13**

► **Abb.14:** 1. Sägeblatt 2. Sägeblattzähne  
3. Schlitzplatte 4. Linksseitiger Neigungsschnitt 5. Geradschnitt

5. Ziehen Sie die Schrauben an (nicht festziehen).

6. Ziehen Sie den Anschlagstift nach der Einstellung der Schlitzplatten wieder heraus, und heben Sie den Handgriff an. Ziehen Sie dann alle Schrauben fest.

**ANMERKUNG:** Nachdem Sie den Neigungswinkel eingestellt haben, vergewissern Sie sich, dass die Schlitzplatten korrekt eingestellt sind. Die korrekte Einstellung der Schlitzplatten trägt zu einwandfreier Abstützung des Werkstücks und Minimieren von Ausreißen des Werkstücks bei.

## Aufrechterhaltung der maximalen Schnittleistung

Dieses Werkzeug wurde werkseitig so eingestellt, dass die maximale Schnittleistung mit einem Sägeblatt von 165 mm erreicht wird.

Wenn Sie ein neues Sägeblatt montieren, überprüfen Sie immer die untere Grenzposition des Sägeblatts, und nehmen Sie nötigenfalls eine Einstellung vor, wie folgt:

1. Nehmen Sie den Akku ab. Senken Sie den Handgriff völlig ab.
2. Drehen Sie die Untergrenzen-Einstellschraube mit dem Inbusschlüssel, bis das Sägeblatt geringfügig unter dem Querschnitt des Gehrungsanschlages und der Oberfläche des Drehtellers liegt.

► **Abb.15:** 1. Einstellschraube

► **Abb.16:** 1. Gehrungsanschlag

3. Drehen Sie das Sägeblatt von Hand, während Sie den Handgriff in der Tiefstellung halten, um sicherzugehen, dass das Sägeblatt keinen Teil des Auflagetisches berührt. Nötigenfalls ist eine Nachjustierung vorzunehmen.



**⚠️ WARNUNG:** Vergewissern Sie sich nach der Montage eines neuen Sägeblatts bei abgenommenem Akku stets, dass das Sägeblatt keinen Teil des Auflagetisches berührt, wenn der Handgriff vollständig abgesenkt wird. Falls das Sägeblatt mit dem Auflagetisch in Berührung kommt, kann es Rückschlag verursachen, was zu schweren Verletzungen führen kann.

▶ **Abb.17**

## Zusatzanschlag

### Länderspezifisch

Dieses Werkzeug ist mit einem Zusatzanschlag und kleinen Zusatzanschlägen ausgestattet.

## Zusatzanschlag

**⚠️ WARNUNG:** Entfernen Sie immer den Zusatzanschlag, wenn Sie Neigungsschnitte durchführen. Anderenfalls kann es zu einer schweren Verletzung kommen.

▶ **Abb.18:** 1. Zusatzanschlag

Wenn Sie Schnitte außer Neigungsschnitten durchführen, stützen Sie das Werkstück mit dem Zusatzanschlag ab.

## Kleiner Zusatzanschlag

**⚠️ VORSICHT:** Wenn Sie rechtsseitige Neigungsschnitte durchführen, klappen Sie die kleinen Zusatzanschläge ein. Anderenfalls können sie mit dem Sägeblatt oder einem anderen Teil des Werkzeugs in Berührung kommen, was schwere Verletzungen des Bedieners zur Folge haben kann.

▶ **Abb.19:** 1. Kleiner Zusatzanschlag 2. Skala

Wenn Sie vertikale Schnitte oder linksseitige Neigungsschnitte durchführen, klappen Sie sie nach oben, um das Werkstück abzustützen. Der Gehrungsanschlag hat eine Skala von 10-mm-Intervallen.

## Einstellen des Gehrungswinkels

▶ **Abb.20:** 1. Befestigungsschraube 2. Drehteller 3. Gehrungswinkelskala 4. Zeiger

1. Lösen Sie die Befestigungsschraube entgegen dem Uhrzeigersinn.
2. Stellen Sie den Winkel des Drehtellers ein. Benutzen Sie den Zeiger und die Gehrungswinkelskala als Orientierungshilfe.
3. Ziehen Sie die Befestigungsschraube im Uhrzeigersinn fest.

**⚠️ VORSICHT:** Sichern Sie den Drehteller nach jeder Änderung des Gehrungswinkels stets durch Festziehen der Befestigungsschraube.

**ANMERKUNG:** Heben Sie den Handgriff vollständig an, bevor Sie den Drehteller drehen.

## Einstellen des Neigungswinkels

Um den Neigungswinkel einzustellen, schwenken Sie den Hebel auf der Rückseite des Werkzeugs nach unten.

▶ **Abb.21:** 1. Hebel

Um das Sägeblatt nach links zu neigen, halten Sie den Handgriff fest, während Sie den Sägekopf neigen. Benutzen Sie die Neigungswinkelskala und den Zeiger als Orientierungshilfe. Schwenken Sie dann den Hebel kräftig nach oben, um den Sägekopf zu sichern.

▶ **Abb.22:** 1. Zeiger 2. Neigungswinkelskala

Um das Sägeblatt nach rechts zu neigen, halten Sie den Handgriff fest, während Sie den Sägekopf leicht nach links neigen, und drücken Sie den Entriegelungsknopf. Neigen Sie das Sägeblatt bei gedrücktem Entriegelungsknopf nach rechts. Schwenken Sie den Hebel kräftig nach oben, um den Sägekopf zu sichern.

▶ **Abb.23:** 1. Entriegelungsknopf

**⚠️ VORSICHT:** Sichern Sie den Sägekopf nach jeder Änderung des Neigungswinkels stets durch kräftiges Hochschwenken des Hebels.

**ANMERKUNG:** Achten Sie beim Neigen des Sägeblatts darauf, dass der Handgriff vollständig angehoben ist.

**ANMERKUNG:** Wenn der Neigungswinkel geändert wird, müssen die Schlitzplatten gemäß der Beschreibung im Abschnitt „Positionieren der Schlitzplatten“ entsprechend eingestellt werden.

## Einstellen des 46°-Neigungswinkels

1. Lösen Sie den Hebel, und neigen Sie das Sägeblatt vollständig nach links oder rechts.

▶ **Abb.24:** 1. Hebel

2. Um das Sägeblatt nach links zu neigen, halten Sie den Handgriff fest, während Sie den Sägekopf leicht nach rechts neigen, und schwenken Sie dann den Entriegelungshebel in Pfeilrichtung. Der Neigungswinkel kann zwischen 45° und 46° eingestellt werden, indem der Sägekopf geneigt wird, während der Entriegelungshebel bewegt wird.

Um das Sägeblatt nach rechts zu neigen, halten Sie den Handgriff fest, während Sie den Sägekopf leicht nach links neigen, und schwenken Sie dann den Entriegelungshebel in Pfeilrichtung. Der Neigungswinkel kann zwischen 45° und 46° eingestellt werden, indem der Sägekopf geneigt wird, während der Entriegelungshebel bewegt wird.

▶ **Abb.25:** 1. Hebel 2. Entriegelungshebel

3. Schwenken Sie den Hebel kräftig nach oben, um den Sägekopf zu sichern.

## Einstellen der Hebelposition

Falls die Spannkraft des Hebels im Laufe der Zeit nachlässt, ändern Sie die Position des Hebels. Der Hebel kann in 30°-Abständen neu positioniert werden. Lösen und entfernen Sie die Schraube, die den Hebel sichert. Nehmen Sie den Hebel ab, und bringen Sie ihn wieder so an, dass er etwas über die Waagerechte geneigt ist. Ziehen Sie dann den Hebel mit der Schraube fest.

► **Abb.26:** 1. Hebel 2. Schraube

## Schalterfunktion

**⚠ WARNUNG:** Vergewissern Sie sich vor dem Anbringen des Akkus am Werkzeug stets, dass der Ein-Aus-Schalter ordnungsgemäß funktioniert und beim Loslassen in die AUS-Stellung „OFF“ zurückkehrt. Der Betrieb des Werkzeugs mit fehlerhaftem Schalter kann zum Verlust der Kontrolle und zu schweren Verletzungen führen.

**⚠ WARNUNG:** Benutzen Sie das Werkzeug NIEMALS, wenn der Ein-Aus-Schalter nicht voll funktionsfähig ist. Ein Werkzeug mit funktionsunfähigem Schalter ist ÄUSSERST GEFÄHRLICH und muss vor weiterem Gebrauch repariert werden. Anderenfalls kann es zu schweren Verletzungen kommen.

**⚠ WARNUNG:** Aus Sicherheitsgründen ist dieses Werkzeug mit einem Einschaltsperrknopf ausgestattet, die versehentliches Einschalten des Werkzeugs verhindert. **Betreiben Sie das Werkzeug NIEMALS, wenn es durch bloße Betätigung des Ein-Aus-Schalters eingeschaltet werden kann, ohne den Einschaltsperrknopf zu drücken.** Ein reparaturbedürftiger Schalter kann zu ungewolltem Betrieb und daraus resultierenden schweren Verletzungen führen. Lassen Sie das Werkzeug von einer Makita-Kundendienststelle ordnungsgemäß reparieren, BEVOR Sie es weiter benutzen.

**⚠ WARNUNG:** Versuchen Sie NIEMALS, den Einschaltsperrknopf mit Klebeband oder anderen Mitteln unwirksam zu machen. Ein Schalter mit unwirksamem Einschaltsperrknopf kann zu ungewolltem Betrieb und daraus resultierenden schweren Personenschäden führen.

**ANMERKUNG:** Betätigen Sie den Ein-Aus-Schalter nicht gewaltsam, ohne den Einschaltsperrknopf hineinzudrücken. Dies kann zu Beschädigung des Schalters führen.

Um versehentliche Betätigung des Auslöseschalters zu verhüten, ist das Werkzeug mit einem Einschaltsperrknopf ausgestattet. Betätigen Sie zum Starten des Werkzeugs den Auslöseschalter bei gedrücktem Einschaltsperrknopf. Lassen Sie zum Ausschalten den Auslöseschalter los.

► **Abb.27:** 1. Einschaltsperrknopf 2. Loch für Vorhängeschloss 3. Auslöseschalter

## Einschalten der Lampe

**⚠ VORSICHT:** Diese Lampe ist nicht regengeschützt. Waschen Sie die Lampe nicht mit Wasser, und benutzen Sie sie auch nicht bei Regen oder in nasser Umgebung. Anderenfalls kann es zu einem elektrischen Schlag oder Rauchentwicklung kommen.

**⚠ VORSICHT:** Berühren Sie nicht die Linse der Lampe, da sie während des Betriebs oder unmittelbar nach dem Ausschalten sehr heiß ist. Es könnte sonst zu Hautverbrennungen kommen.

**⚠ VORSICHT:** Setzen Sie die Lampe keinen Erschütterungen aus, weil sie sonst beschädigt werden oder ihre Lebensdauer sich verkürzen kann.

**⚠ VORSICHT:** Richten Sie den Lichtstrahl nicht auf Ihre Augen. Dies kann zu Sehschäden führen.

**⚠ VORSICHT:** Decken Sie die Lampe während des Betriebs nicht mit Tüchern, Karton, Pappe oder ähnlichen Objekten ab, weil es sonst zu einem Brand oder einer Entzündung kommen kann.

**⚠ VORSICHT:** Blicken Sie nicht direkt in die Lampe oder die Lichtquelle.

Um die Lampe einzuschalten, drücken Sie den oberen Teil (I) des Schalters. Um die Lampe auszuschalten, drücken Sie den unteren Teil (0) des Schalters.

► **Abb.28:** 1. Lampe 2. Lampenschalter

**HINWEIS:** Wischen Sie Schmutz auf der Lampenlinse mit einem trockenen Tuch ab. Achten Sie sorgfältig darauf, dass Sie die Lampenlinse nicht verkratzen, weil sich sonst die Lichtstärke verringert.

**HINWEIS:** Schalten Sie den Schalter unbedingt aus, da bei eingeschaltetem Schalter Akkustrom verbraucht wird.

## Laserstrahlbenutzung

**⚠ VORSICHT:** Blicken Sie auf keinen Fall in den Laserstrahl. Der direkte Laserstrahl kann Ihre Augen verletzen.

Um den Laserstrahl einzuschalten, drücken Sie den oberen Teil (I) des Schalters. Um den Laserstrahl auszuschalten, drücken Sie den unteren Teil (0) des Schalters.

► **Abb.29:** 1. Laserschalter

**HINWEIS:** Schalten Sie den Schalter unbedingt aus, da bei eingeschaltetem Schalter Akkustrom verbraucht wird.

Sie können die Laserlinie entweder zur rechten oder linken Seite des Kreissägeblatts verschieben, indem Sie die Einstellschraube wie folgt drehen.

► **Abb.30:** 1. Einstellschraube

1. Lösen Sie die Einstellschraube durch Linksdrehen.
2. Schieben Sie die gelöste Einstellschraube bis zum Anschlag nach rechts oder links.

3. Ziehen Sie die Einstellschraube an der Anschlagposition fest an.

**HINWEIS:** Die Laserlinie ist werkseitig so eingestellt, dass sie innerhalb 1 mm von der Seitenfläche des Kreissägeblatts (Schnittposition) liegt.

**HINWEIS:** Wenn die Laserlinie wegen direkten Sonnenlichts schwach erscheint und schlecht sichtbar ist, verlagern Sie den Arbeitsplatz zu einem Ort, der keinem direkten Sonnenlicht ausgesetzt ist.

#### Ausrichten der Laserlinie

Richten Sie die Schnittlinie am Werkstück auf die Laserlinie aus.

► **Abb.31**

- A) Um die korrekte Größe auf der linken Seite des Werkstücks zu erhalten, verlagern Sie die Laserlinie links vom Kreissägeblatt.
- B) Um die korrekte Größe auf der rechten Seite des Werkstücks zu erhalten, verlagern Sie die Laserlinie rechts vom Kreissägeblatt.

## MONTAGE

**⚠ WARNUNG:** Vergewissern Sie sich vor dem Arbeiten am Werkzeug stets, dass das Werkzeug ausgeschaltet und der Akku abgenommen ist. Das Versäumen, das Werkzeug auszuschalten und den Akku abzunehmen, kann zu schweren Personenschäden führen.

### Aufbewahrung des Inbusschlüssels

Der Inbusschlüssel wird so aufbewahrt, wie in der Abbildung gezeigt. Wenn der Inbusschlüssel benötigt wird, kann er aus dem Schlüsselhalter gezogen werden. Nach dem Gebrauch kann der Inbusschlüssel wieder in den Schlüsselhalter eingesetzt werden.

- **Abb.32:** 1. Steckschlüsselhalter 2. Inbusschlüssel

### Montieren und Demontieren des Sägeblatts

**⚠ WARNUNG:** Vergewissern Sie sich vor dem Anbringen oder Abnehmen des Sägeblatts stets, dass das Werkzeug ausgeschaltet und der Akku abgenommen ist. Versehentliches Anlaufen des Werkzeugs kann zu schweren Personenschäden führen.

**⚠ VORSICHT:** Verwenden Sie nur den mitgelieferten Makita-Inbusschlüssel zum Montieren und Demontieren des Sägeblatts. Anderenfalls besteht die Gefahr, dass die Innensechskantschraube zu fest oder unzureichend angezogen wird. Dies könnte zu einer Verletzung führen.

Führen Sie zum Abnehmen des Sägeblatts die folgenden Schritte aus:

1. Lösen Sie den Anschlagstift, und verriegeln Sie dann den Handgriff in der angeordneten Position, indem Sie den Anschlagstift hineindrücken.
- **Abb.33:** 1. Anschlagstift

2. Lösen Sie die Innensechskantschraube, mit der die Mittenabdeckung befestigt ist, durch Linksdrehung mit dem Inbusschlüssel. Heben Sie dann die Sägeblattschutzhaube und die Mittenabdeckung an.

- **Abb.34:** 1. Mittenabdeckung  
2. Innensechskantschraube  
3. Inbusschlüssel 4. Sägeblattschutzhaube

3. Blockieren Sie die Spindel durch Drücken der Spindelarreterierung, und lösen Sie die Innensechskantschraube (linksgängig) durch Rechtsdrehung des Inbusschlüssels. Entfernen Sie dann die Innensechskantschraube der Spindel, den Außenflansch und das Sägeblatt.

- **Abb.35:** 1. Spindelarreterierung  
2. Innensechskantschraube  
3. Außenflansch

4. Falls der Innenflansch entfernt wird, bringen Sie ihn so an der Spindel an, dass sein Sägeblatt-Montageteil zum Sägeblatt gerichtet ist. Wird der Flansch falsch montiert, schleift er an der Maschine.

- **Abb.36:** 1. Außenflansch  
2. Sägeblatt 3. Innenflansch  
4. Innensechskantschraube (Linksgewinde) 5. Spindel  
6. Sägeblatt-Montageteil

Führen Sie zum Montieren des Sägeblatts die folgenden Schritte aus:

1. Montieren Sie das Sägeblatt sorgfältig am Innenflansch. Achten Sie darauf, dass die Richtung des Pfeils auf dem Sägeblatt mit der Richtung des Pfeils auf der Schutzhaube übereinstimmt.

- **Abb.37:** 1. Sägeblatt 2. Pfeil

2. Bringen Sie Außenflansch und Innensechskantschraube an, und ziehen Sie dann die Innensechskantschraube (linksgängig) der Spindel bei gedrückter Spindelarreterierung durch Linksdrehung des Inbusschlüssels fest.

3. Bringen Sie die Sägeblattschutzhaube und die Mittenabdeckung wieder in ihre Ausgangsstellung. Ziehen Sie dann die Innensechskantschraube der Mittenabdeckung zur Sicherung der Mittenabdeckung im Uhrzeigersinn an.

4. Lösen Sie den Handgriff durch Herausziehen des Anschlagstifts aus der Hochstellung. Senken Sie den Handgriff ab, um zu prüfen, ob sich die Schutzhaube einwandfrei bewegt.

5. Vergewissern Sie sich vor der Benutzung des Werkzeugs, dass die Spindelarreterierung gelöst ist.

### Für Werkzeug mit Innenflansch für ein Sägeblatt mit 15,88 mm Lochdurchmesser.

#### Länderspezifisch

Montieren Sie den Innenflansch mit der Vertiefung nach außen auf die Montageachse, und bringen Sie dann Sägeblatt (Ring bei Bedarf angebracht), Außenflansch und Innensechskantschraube an.

#### Für Werkzeug ohne den Ring

- **Abb.38:** 1. Außenflansch  
2. Sägeblatt 3. Innenflansch  
4. Innensechskantschraube (Linksgewinde) 5. Spindel

## Für Werkzeug mit dem Ring

- **Abb.39:** 1. Außenflansch  
2. Sägeblatt 3. Innenflansch  
4. Innensechskantschraube  
(Linksgewinde) 5. Ring 6. Spindel

**⚠️ WARNUNG:** Falls der Ring benötigt wird, um das Sägeblatt an der Spindel zu montieren, sollten Sie sich stets vergewissern, dass der korrekte Ring für die Spindelbohrung des zu benutzenden Sägeblatts zwischen Innen- und Außenflansch installiert ist. Die Verwendung eines falschen Spindelbohrungsringes kann zu unzulässiger Montage des Sägeblatts führen, so dass es zu Sägeblattbewegung und starker Vibration kommt, die möglichen Verlust der Kontrolle während des Betriebs und schwere Personenschäden zur Folge haben kann.

## Für ein Werkzeug, dessen Innenflansch für Sägeblätter mit einem anderen Lochdurchmesser als 20 mm oder 15,88 mm vorgesehen ist.

### Länderspezifisch

Der Innenflansch besitzt auf jeder Seite einen Sägeblatt-Montageteil mit unterschiedlichen Durchmessern. Wählen Sie die Seite, deren Sägeblatt-Montageteil genau in die Sägeblattbohrung passt.

- **Abb.40:** 1. Außenflansch  
2. Sägeblatt 3. Innenflansch  
4. Innensechskantschraube  
(Linksgewinde) 5. Spindel  
6. Sägeblatt-Montageteil

**⚠️ VORSICHT:** Stellen Sie sicher, dass der außen liegende Sägeblatt-Montageteil „a“ des Innenflansches genau in die Sägeblattbohrung „a“ passt. Die Montage des Sägeblatts auf der falschen Seite kann zu gefährlichen Vibrationen führen.

## Staubsaack

Bei Verwendung des Staubsaacks wird das Arbeiten sauberer und das Staubsammeln einfacher. Zum Anbringen wird der Staubsaack auf den Absaugstutzen geschoben.

Wenn der Staubsaack etwa halb voll ist, nehmen Sie ihn vom Werkzeug ab und ziehen den Verschluss heraus. Entleeren Sie den Staubsaack, indem Sie ihn leicht abklopfen, um die an den Innenflächen haftenden Staubpartikel, die den Durchlass behindern können, zu lösen.

- **Abb.41:** 1. Staubsaack 2. Absaugstutzen  
3. Verschluss

**HINWEIS:** Wenn Sie einen Staubsauger an Ihre Säge anschließen, können Sie sauberer arbeiten.

- **Abb.42**

## Sicherung von Werkstücken

**⚠️ WARNUNG:** Es ist äußerst wichtig, das Werkstück stets mit dem Schraubstock korrekt zu sichern. Andernfalls kann es zu schweren Personenschäden und Beschädigung des Werkzeugs und/oder Werkstücks kommen.

**⚠️ WARNUNG:** Wenn Sie ein Werkstück schneiden, das länger als der Auflagetisch der Säge ist, sollte das Material auf der gesamten Länge außerhalb des Auflagetisches und auf derselben Höhe abgestützt werden, um es waagrecht zu halten. Korrekte Werkstückabstützung trägt zur Vermeidung von Sägeblattklemmen und möglichem Rückschlag bei, was zu schweren Verletzungen führen kann. Verlassen Sie sich nicht nur auf die Vertikal- und/oder Horizontal-Schraubstock zur Sicherung des Werkstücks. Dünnes Material neigt zum Durchhängen. Stützen Sie das Werkstück auf seiner gesamten Länge ab, um Klemmen des Sägeblatts und möglichen RÜCKSCHLAG zu vermeiden.

- **Abb.43:** 1. Stütze 2. Drehteller

## Vertikal-Schraubstock

**⚠️ WARNUNG:** Das Werkstück muss bei allen Operationen mit dem Schraubstock fest gegen Drehteller und Gehrungsanschlag gesichert werden. Andernfalls kann sich das Material während der Schneidarbeit verschieben, Beschädigung des Sägeblatts verursachen und herausgeschleudert werden, was zum Verlust der Kontrolle und schweren Personenschäden führen kann.

Montieren Sie den Vertikal-Schraubstock entweder auf der linken oder rechten Seite des Gehrungsanschlags. Setzen Sie die Schraubstockstange in die Bohrung des Gehrungsanschlags ein, und sichern Sie sie durch Anziehen der unteren Schraube.

- **Abb.44:** 1. Schraubstockarm 2. Schraubstockknopf  
3. Gehrungsanschlag 4. Drehteller  
5. Untere Schraube 6. Obere Schraube  
7. Schraubstockstange

Stellen Sie den Schraubstockarm auf die Dicke und Form des Werkstücks ein, und sichern Sie ihn durch Anziehen der oberen Schraube. Falls die obere Schraube mit dem Gehrungsanschlag in Berührung kommt, installieren Sie die obere Schraube auf der entgegengesetzten Seite des Schraubstockarms. Vergewissern Sie sich, dass keine Werkzeugteile mit dem Schraubstock in Berührung kommen, wenn der Handgriff vollständig abgesenkt wird. Falls irgendwelche Teile mit dem Schraubstock in Berührung kommen, ist der Schraubstock zu versetzen.

Drücken Sie das Werkstück flach gegen Gehrungsanschlag und Drehteller. Bringen Sie das Werkstück in die gewünschte Schnittposition, und sichern Sie es einwandfrei durch Anziehen des Schraubstockknopfes.

## Anbringen des Schulterriemens

### Sonderzubehör

**⚠ VORSICHT:** Der Schulterriemen ist vor der Benutzung des Werkzeugs unbedingt abzunehmen. Anderenfalls kann sich der Schulterriemen verfangen und eine Verletzung verursachen.

**⚠ VORSICHT:** Achten Sie darauf, dass die Haken des Schulterriemens sicher am Werkzeug angebracht werden. Werden die Haken unvollständig angebracht, können sie sich lösen und eine Verletzung verursachen.

Der Schulterriemen ist praktisch zum Transportieren des Werkzeugs. Bringen Sie die Haken des Schulterriemens so am Werkzeug an, wie in der Abbildung gezeigt.

► **Abb.45:** 1. Schulterriemen 2. Haken

## BETRIEB

Dieses Werkzeug ist zum Schneiden von Holzprodukten vorgesehen. Mit geeigneten Original-Makita-Sägeblättern können auch die folgenden Materialien gesägt werden:

— Aluminiumprodukte

Besuchen Sie unsere Website, oder wenden Sie sich an Ihren Makita-Händler vor Ort, um zu erfahren, welche Sägeblätter für das zu schneidende Material korrekt sind.

**⚠ WARNUNG:** Vergewissern Sie sich vor dem Einschalten des Werkzeugs, dass das Sägeblatt nicht das Werkstück usw. berührt. Wird das Werkzeug eingeschaltet, während das Sägeblatt mit dem Werkstück in Berührung ist, kann es zu Rückschlag mit daraus resultierenden schweren Personenschäden kommen.

**⚠ WARNUNG:** Heben Sie das Sägeblatt nach erfolgtem Schnitt erst an, nachdem es zum völligen Stillstand gekommen ist. Das Anheben eines noch rotierenden Sägeblatts kann zu schweren Personenschäden und Beschädigung des Werkstücks führen.

**⚠ VORSICHT:** Lösen Sie den Sägekopf nicht unkontrolliert aus der vollständig abgesenkten Position. Der unkontrollierte Sägekopf könnte Sie treffen und Personenschäden verursachen.

**ANMERKUNG:** Lösen Sie den Handgriff vor der Benutzung unbedingt aus der Tiefstellung, indem Sie den Anschlagstift herausziehen.

**ANMERKUNG:** Üben Sie beim Schneiden keinen übermäßigen Druck auf den Handgriff aus. Zu starker Druck kann zu Überlastung des Motors und/oder verminderter Schnittleistung führen. Drücken Sie den Handgriff nur mit so viel Kraft nieder, wie für reibungslosen Sägebetrieb notwendig ist, ohne einen beträchtlichen Abfall der Sägeblattdrehzahl zu verursachen.

**ANMERKUNG:** Drücken Sie den Handgriff zur Ausführung des Schnitts sachte nieder. Bei zu großer oder seitlicher Kraftausübung kann das Sägeblatt in Schwingung versetzt werden, wodurch zusätzliche Sägespuren im Werkstück erzeugt werden und die Schnittgenauigkeit beeinträchtigt werden kann.

## Kappschnitt (Schneiden kleiner Werkstücke)

### ► Abb.46

Werkstücke bis zu 46 mm Höhe und 92 mm Breite können auf die folgende Weise geschnitten werden.

1. Spannen Sie das Werkstück mit dem Schraubstock ein.
2. Schalten Sie das Werkzeug ein, ohne dass das Sägeblatt Kontakt hat, und warten Sie, bis es seine volle Drehzahl erreicht, bevor Sie es absenken.
3. Senken Sie den Handgriff zum Schneiden des Werkstücks sachte vollständig ab.
4. Wenn der Schnitt ausgeführt ist, schalten Sie das Werkzeug aus, und warten Sie, bis das Sägeblatt zum vollständigen Stillstand gekommen ist, bevor Sie das Sägeblatt auf seine vollständig angehobene Position zurückführen.

## Gehrungsschnitt

Nehmen Sie auf den Abschnitt zum Einstellen des Gehrungswinkels Bezug.

## Neigungsschnitt

**⚠ WARNUNG:** Nachdem Sie das Sägeblatt für einen Neigungsschnitt eingestellt haben, vergewissern Sie sich vor der Benutzung des Werkzeugs, dass Sägekopf und Sägeblatt über den gesamten Bereich des beabsichtigten Schnitts Freigang haben. Eine Unterbrechung des Sägekopf- oder Sägeblattwegs während des Schneidbetriebs kann zu einem Rückschlag mit daraus resultierenden schweren Personenschäden führen.

**⚠ WARNUNG:** Halten Sie Ihre Hände während der Ausführung eines Neigungsschnitts aus dem Weg des Sägeblatts. Der Winkel des Sägeblatts kann den Bediener hinsichtlich des tatsächlichen Sägeblattwegs während des Schneidbetriebs verwirren, und Kontakt mit dem Sägeblatt kann zu schweren Personenschäden führen.

**⚠ WARNUNG:** Heben Sie das Sägeblatt erst an, nachdem es zum völligen Stillstand gekommen ist. Während eines Neigungsschnitts kann das abgesägte Stück am Sägeblatt anliegen. Wird das Sägeblatt in rotierendem Zustand angehoben, kann das abgesägte Stück vom Sägeblatt herausgeschleudert werden, so dass das Material zersplittert, was zu schweren Personenschäden führen kann.

**⚠ WARNUNG:** Entfernen Sie immer den Zusatzanschlag, wenn Sie Neigungsschnitte durchführen. Anderenfalls kann es zu einer schweren Verletzung kommen.

### ► Abb.47

1. Lösen Sie den Hebel, und neigen Sie das Sägeblatt auf den gewünschten Neigungswinkel (siehe den obigen Abschnitt „Einstellen des Neigungswinkels“). Ziehen Sie den Hebel unbedingt fest an, um den eingestellten Neigungswinkel einwandfrei zu sichern.
2. Spannen Sie das Werkstück mit einem Schraubstock ein.

- Schalten Sie das Werkzeug ein, ohne dass das Sägeblatt Kontakt hat, und warten Sie, bis es seine volle Drehzahl erreicht.
- Senken Sie den Handgriff sachte vollständig ab, während Sie Druck parallel zum Sägeblatt ausüben, um das Werkstück zu schneiden.
- Wenn der Schnitt ausgeführt ist, schalten Sie das Werkzeug aus, und **warten Sie, bis das Sägeblatt zum vollständigen Stillstand gekommen ist**, bevor Sie das Sägeblatt auf seine vollständig angehobene Position zurückführen.

**ANMERKUNG:** Wenn Sie den Handgriff niederdrücken, üben Sie den Druck parallel zum Sägeblatt aus. Falls eine Kraft senkrecht zum Drehteller ausgeübt oder die Druckrichtung während eines Schnitts geändert wird, kann die Genauigkeit des Schnitts beeinträchtigt werden.

## Compoundschnitt

Unter Compoundschnitt versteht man das Schneiden eines Werkstücks mit gleichzeitiger Gehrungs- und Neigungswinkeleinstellung. Compoundschnitte können in dem in der nachstehenden Tabelle angegebenen Winkel durchgeführt werden.

Gehrungswinkel	Neigungswinkel
Links und Rechts 45°	Links und Rechts 0° - 45°
Rechts 52°	Links 20° - Rechts 45°
Links 52°	Links 45° - Rechts 20°

Nehmen Sie zur Durchführung von Compoundschnitten auf die Erläuterungen unter „Kappschnitt“, „Gehrungsschnitt“ und „Neigungsschnitt“ Bezug.

## Schneiden von Aluminium-Strangpressprofilen

- **Abb.48:** 1. Schraubstock 2. Distanzblock  
3. Gehrungsanschlag 4. Aluminium-Strangpressprofil 5. Distanzblock

Verwenden Sie zum Einspannen von Aluminium-Strangpressprofilen Distanzblöcke oder Abfallholzstücke, wie in der Abbildung gezeigt, um eine Verformung des Aluminiums zu vermeiden. Verwenden Sie Schneidmischmittel zum Schneiden von Aluminium-Strangpressprofilen, um die Ablagerung von Aluminium-Rückständen am Sägeblatt zu verhüten.

**⚠VORSICHT:** Versuchen Sie niemals, dickes oder rundes Aluminium-Strangpressmaterial zu schneiden. Dicke Aluminium-Strangpressprofile können sich während der Arbeit lösen, und runde Aluminium-Strangpressprofile lassen sich mit diesem Werkzeug nicht einwandfrei einspannen.

## Wiederholtes Schneiden auf gleiche Länge

Wenn Sie mehrere Materialstücke auf dieselbe Länge schneiden, innerhalb des Bereichs von 200 mm bis 330 mm, verwenden Sie die Anschlagplatte (Sonderzubehör). Montieren Sie die Anschlagplatte am Auflagebügel (Sonderzubehör), wie in der Abbildung gezeigt.

- **Abb.49:** 1. Anschlagplatte 2. Auflagebügel  
3. Schraube

Richten Sie die Schnittlinie des Werkstücks entweder auf die linke oder rechte Kante der Nut in der Schlitzplatte aus, und schieben Sie die Anschlagplatte bündig gegen das Ende des Werkstücks, während Sie das Werkstück halten. Sichern Sie dann die Anschlagplatte mit der Flügelschraube. Wenn Sie die Anschlagplatte nicht benutzen, lösen Sie die Flügelschraube, um die Anschlagplatte zur Seite zu schieben.

## Tragen des Werkzeugs

**⚠WARNUNG:** Der Anschlagstift ist nur zum Tragen und zur Lagerung vorgesehen und sollte keinesfalls für irgendwelche Schneidarbeiten verwendet werden. Der Gebrauch des Anschlagstifts für Schneidarbeiten kann eine unerwartete Bewegung des Sägeblatts verursachen, die zu Rückschlag und schweren Personenschäden führen kann.

**⚠VORSICHT:** Sichern Sie stets alle beweglichen Teile, bevor Sie das Werkzeug tragen. Falls Teile des Werkzeugs sich beim Tragen bewegen, kann es zu Verlust der Kontrolle oder Balance kommen, was Personenschäden zur Folge haben kann.

- Nehmen Sie den Akku ab.
- Sichern Sie den Sägekopf in der 0°-Neigungswinkelstellung und den Drehteller in der äußersten rechten Gehrungswinkelstellung.  
► **Abb.50:** 1. Drehteller
- Senken Sie den Handgriff ganz ab, und arretieren Sie ihn in der Tiefstellung durch Einschieben des Anschlagstifts.
- Tragen Sie das Werkzeug am Handgriff.  
► **Abb.51**

## WARTUNG

**⚠WARNUNG:** Achten Sie stets darauf, dass das Sägeblatt scharf und sauber ist, um die bestmögliche und sicherste Leistung zu erzielen. Der Versuch, einen Schnitt mit einem stumpfen und/oder verschmutzten Sägeblatt auszuführen, kann Rückschlag verursachen und zu schweren Personenschäden führen.

**⚠VORSICHT:** Vergewissern Sie sich vor der Durchführung von Inspektions- oder Wartungsarbeiten stets, dass das Werkzeug ausgeschaltet und der Akku abgenommen ist.

**ANMERKUNG:** Verwenden Sie auf keinen Fall Benzin, Waschbenzin, Verdünnern, Alkohol oder dergleichen. Solche Mittel können Verfärbung, Verformung oder Rissbildung verursachen.

Um die SICHERHEIT und ZUVERLÄSSIGKEIT dieses Produkts zu gewährleisten, sollten Reparaturen und andere Wartungs- oder Einstellarbeiten nur von Makita-Vertragswerkstätten oder Makita-Kundendienstzentren unter ausschließlicher Verwendung von Makita-Originalersatzteilen ausgeführt werden.



## Einstellen des Schnittwinkels

Dieses Werkzeug wurde werksseitig sorgfältig eingestellt und justiert, doch grobe Behandlung kann die Justierung beeinträchtigen. Sollte Ihr Werkzeug einer Nachjustierung bedürfen, gehen Sie folgendermaßen vor:

### Gehrungswinkel

1. Lösen Sie die Befestigungsschraube entgegen dem Uhrzeigersinn.
2. Drehen Sie den Drehteller, bis der Zeiger auf 0° auf der Gehrungswinkelskala zeigt.  
► **Abb.52:** 1. Befestigungsschraube 2. Drehteller 3. Gehrungswinkelskala 4. Zeiger
3. Bewegen Sie den Drehteller geringfügig nach links und rechts, bis er einwandfrei in der 0°-Gehrungswinkelraste sitzt. (Lassen Sie den Drehteller unverändert, falls der Zeiger nicht auf 0° zeigt.)
4. Lösen Sie die Innensechskantschrauben, die den Gehrungsanschlag halten, mit dem Inbusschlüssel.  
► **Abb.53:** 1. Gehrungsanschlag  
2. Innensechskantschraube  
► **Abb.54:** 1. Gehrungsanschlag  
2. Innensechskantschraube
5. Senken Sie den Handgriff ganz ab, und arretieren Sie ihn in der Tiefstellung durch Einschieben des Anschlagstifts.
6. Bringen Sie die Seitenfläche des Sägeblatts mit Hilfe eines Einstelldreiecks, Anschlagwinkels usw. in den rechten Winkel mit der Fläche des Gehrungsanschlags. Ziehen Sie dann die Innensechskantschraube des Gehrungsanschlags fest.  
► **Abb.55:** 1. Gehrungsanschlag 2. Einstelldreieck 3. Sägeblatt
7. Vergewissern Sie sich, dass der Zeiger auf 0° auf der Gehrungswinkelskala zeigt. Falls der Zeiger nicht auf 0° zeigt, lösen Sie die Halteschraube des Zeigers, und stellen Sie den Zeiger so ein, dass er auf 0° zeigt.  
► **Abb.56:** 1. Schraube 2. Gehrungswinkelskala 3. Zeiger

### Neigungswinkel

#### 0°-Neigungswinkel

1. Senken Sie den Handgriff ganz ab, und arretieren Sie ihn in der Tiefstellung durch Einschieben des Anschlagstifts.
2. Lösen Sie den Hebel auf der Rückseite des Werkzeugs.
3. Drehen Sie die 0°-Neigungswinkel-Einstellschraube auf der rechten Seite des Sägekopfes um zwei bis drei Umdrehungen entgegen dem Uhrzeigersinn, um das Sägeblatt nach rechts zu neigen.  
► **Abb.57:** 1. Einstellschraube 2. Hebel

4. Drehen Sie die 0°-Neigungswinkel-Einstellschraube vorsichtig im Uhrzeigersinn, bis die Seitenfläche des Sägeblatts einen rechten Winkel mit der Oberfläche des Drehtellers bildet. Verwenden Sie ein Einstelldreieck, einen Anschlagwinkel usw. als Orientierungshilfe. Ziehen Sie dann den Hebel fest an.  
► **Abb.58:** 1. Einstelldreieck 2. Sägeblatt 3. Drehteller-Oberfläche

5. Vergewissern Sie sich, dass der Zeiger am Arm auf 0° der Neigungswinkelskala zeigt. Falls der Zeiger nicht auf 0° zeigt, lösen Sie die Halteschraube des Zeigers, und stellen Sie den Zeiger so ein, dass er auf 0° zeigt.  
► **Abb.59:** 1. Schraube 2. Zeiger 3. Neigungswinkelskala

#### 45°-Neigungswinkel

Der 45°-Neigungswinkel kann erst nach erfolgter Einstellung des 0°-Neigungswinkels eingestellt werden.

1. Lösen Sie den Hebel, und neigen Sie das Sägeblatt vollständig nach links.
2. Vergewissern Sie sich, dass der Zeiger am Arm auf 45° der Neigungswinkelskala zeigt. Falls der Zeiger nicht auf 45° zeigt, drehen Sie die Einstellschraube für linksseitigen 45°-Neigungswinkel auf der rechten Seite des Arms, bis der Zeiger auf 45° zeigt.  
► **Abb.60:** 1. Einstellschraube für rechtsseitigen 45°-Neigungswinkel 2. Zeiger 3. Einstellschraube für linksseitigen 45°-Neigungswinkel
3. Neigen Sie das Sägeblatt vollständig nach rechts, und stellen Sie dann den rechtsseitigen 45°-Neigungswinkel mit der Einstellschraube für rechtsseitigen 45°-Neigungswinkel ein.  
► **Abb.61:** 1. Sägeblatt 2. Einstelldreieck

## Einstellen der Laserlinienposition

**⚠️ WARNUNG:** Zum Einstellen der Laserlinie muss der Akku am Werkzeug angebracht sein. Achten Sie mit besonderer Sorgfalt darauf, dass das Werkzeug während der Einstellung nicht eingeschaltet wird. Versehentliches Anlaufen des Werkzeugs kann zu schweren Personenschäden führen.

**⚠️ VORSICHT:** Blicken Sie auf keinen Fall direkt in den Laserstrahl. Direkte Aussetzung Ihrer Augen zum Strahl kann schwere Augenschäden verursachen.

**ANMERKUNG:** Überprüfen Sie die Genauigkeit der Laserlinienposition regelmäßig.

**ANMERKUNG:** Vermeiden Sie Erschütterungen des Werkzeugs. Diese können eine Fehlausrichtung der Laserlinie oder eine Beschädigung des Lasers verursachen und seine Lebensdauer verkürzen.

**ANMERKUNG:** Lassen Sie das Werkzeug von einem autorisierten Makita-Kundendienstzentrum reparieren, falls eine Störung der Lasereinheit vorliegt.

Der Bewegungsbereich der Laserlinie wird durch die Bereichseinstellschrauben auf beiden Seiten bestimmt. Führen Sie die folgenden Verfahren durch, um die Position der Laserlinie zu ändern.

1. Nehmen Sie den Akku ab.
2. Zeichnen Sie eine Schnittlinie auf dem Werkstück an, und legen Sie es auf den Drehteller. Spannen Sie dabei das Werkstück nicht mit einem Schraubstock oder einer ähnlichen Klemmvorrichtung ein.
3. Senken Sie den Handgriff ab, und richten Sie die Schnittlinie auf das Sägeblatt aus.  
► **Abb.62:** 1. Schnittlinie
4. Stellen Sie den Handgriff wieder auf die Ausgangsposition zurück, und sichern Sie das Werkstück mit dem Vertikal-Schraubstock, so dass es sich nicht aus der festgelegten Position verlagert.  
► **Abb.63:** 1. Schraubstock
5. Bringen Sie den Akku am Werkzeug an, und schalten Sie den Laserschalter ein.
6. Lösen Sie die Einstellschraube. Um die Laserlinie vom Sägeblatt weg zu verschieben, drehen Sie die Bereichseinstellschraube entgegen dem Uhrzeigersinn. Um die Laserlinie zum Sägeblatt hin zu verschieben, drehen Sie die Bereichseinstellschraube im Uhrzeigersinn.

#### Einstellen der Laserlinie auf der linken Seite des Sägeblatts

- **Abb.64:** 1. Einstellschraube  
2. Bereichseinstellschraube  
3. Inbusschlüssel 4. Laserlinie 5. Sägeblatt

#### Einstellen der Laserlinie auf der rechten Seite des Sägeblatts

- **Abb.65:** 1. Bereichseinstellschraube  
2. Inbusschlüssel 3. Laserlinie 4. Sägeblatt

7. Verschieben Sie die Einstellschraube zu der Position, wo sich die Laserlinie mit der Schnittlinie deckt, und ziehen Sie dann die Schraube fest.

**HINWEIS:** Der Verstellbereich der Laserlinie wurde werksseitig auf 1 mm von der Seitenfläche des Sägeblatts eingestellt.

## Reinigen der Laserlinse

Die Sichtbarkeit des Laserlichts verschlechtert sich, wenn die Linse für das Laserlicht schmutzig wird. Reinigen Sie die Linse für das Laserlicht regelmäßig. Nehmen Sie den Akku ab. Lösen Sie die Schraube, und ziehen Sie die Linse heraus. Reinigen Sie die Linse sanft mit einem feuchten, weichen Tuch.

- **Abb.66:** 1. Schraube  
► **Abb.67:** 1. Linse

**ANMERKUNG:** Entfernen Sie nicht die Schraube, mit der die Linse gesichert ist. Falls sich die Linse nicht herausziehen lässt, lösen Sie die Schraube weiter.

**ANMERKUNG:** Verwenden Sie keine Lösungsmittel oder Reinigungsmittel auf Petroleumbasis zum Reinigen der Linse.

## Nach dem Gebrauch

Wischen Sie nach dem Gebrauch am Werkzeug haftende Späne und Staub mit einem Tuch oder dergleichen ab. Halten Sie die Sägeblattschutzhaube gemäß den Anweisungen im vorhergehenden Abschnitt „Sägeblattschutzhaube“ sauber. Schmieren Sie die Gleitteile des Werkzeugs mit Öl, um Rostbildung zu verhüten.

## SONDERZUBEHÖR

**⚠️ WARNUNG:** Die folgenden Makita-Zubehörteile oder Vorrichtungen werden für den Einsatz mit dem in dieser Anleitung beschriebenen Makita-Werkzeug empfohlen. Der Gebrauch anderer Zubehörteile oder Vorrichtungen kann zu schweren Personenschäden führen.

**⚠️ WARNUNG:** Verwenden Sie die Makita-Zubehörteile oder -Vorrichtungen nur für ihren vorgesehenen Zweck. Fehlgebrauch eines Zubehörteils oder einer Vorrichtung kann zu schweren Verletzungen führen.

Wenn Sie weitere Einzelheiten bezüglich dieser Zubehörteile benötigen, wenden Sie sich bitte an Ihre Makita-Kundendienststelle.

- Hartmetallbestückte Sägeblätter
- Auflageverlängerungssatz
- Anschlagplatte
- Schulterriemen
- Original-Makita-Akku und -Ladegerät

**HINWEIS:** Manche Teile in der Liste können als Standardzubehör im Werkzeugsatz enthalten sein. Sie können von Land zu Land unterschiedlich sein.



## DATI TECNICI

<b>Modello:</b>	<b>DLS600</b>
Diametro lama	165 mm
Diametro foro (albero)	20 mm
Angolo di taglio obliquo max.	A sinistra 52°, A destra 52°
Angolo di taglio a unghia max.	A sinistra 45° (46° quando si utilizza la leva di rilascio), A destra 45° (46° quando si utilizza la leva di rilascio)
Velocità senza carico	5.000 min <sup>-1</sup>
Tipo di laser	Laser rosso da 650 nm, potenza massima in uscita < 1,6 mW (Laser di Classe 2M)
Dimensioni (L x P x A)	340 mm x 400 mm x 440 mm
Tensione nominale	18 V CC
Peso netto	6,3 - 6,6 kg

### Capacità di taglio max. (A x P) con lama da 165 mm

Angolo di taglio obliquo	Angolo di taglio a unghia		
	45° (a sinistra)	0°	45° (a destra)
0°	30 mm x 92 mm	46 mm x 92 mm	15 mm x 92 mm
45° (a sinistra e a destra)	30 mm x 65 mm	46 mm x 65 mm	15 mm x 65 mm

- A causa del nostro programma continuativo di ricerca e sviluppo, i dati tecnici sono soggetti a modifiche senza preavviso.
- I dati tecnici e la cartuccia della batteria potrebbero differire da nazione a nazione.
- Il peso può variare a seconda dell'accessorio o degli accessori, inclusa la cartuccia della batteria. La combinazione più leggera e quella più pesante, secondo la procedura EPTA 01/2014, sono indicate nella tabella.

### Cartuccia della batteria e caricabatterie applicabili

Cartuccia della batteria	BL1815N / BL1820B / BL1830B / BL1840B / BL1850B / BL1860B
Caricabatterie	DC18RC / DC18RD / DC18RE / DC18SD / DC18SE / DC18SF / DC18SH

- Alcune cartucce delle batterie e alcuni caricabatterie elencati sopra potrebbero non essere disponibili a seconda della propria area geografica di residenza.

**⚠ AVVERTIMENTO:** Utilizzare solo le cartucce delle batterie e i caricabatterie elencati sopra. L'utilizzo di altre cartucce delle batterie e di altri caricabatterie potrebbe causare lesioni personali e/o un incendio.

### Simboli

Le figure seguenti mostrano i simboli utilizzati per l'apparecchio. Accertarsi di comprenderne il significato prima dell'uso.



Leggere il manuale d'uso.



Indossare occhiali di sicurezza.



Per evitare lesioni personali causate da frammenti volanti, dopo aver effettuato dei tagli, mantenere la testa della sega rivolta verso il basso fino all'arresto completo della lama.



Non posizionare la mano o le dita in prossimità della lama.



Non guardare mai direttamente il raggio laser. Il raggio laser diretto può danneggiare gli occhi.



Solo per le nazioni dell'EU  
A causa della presenza di componenti pericolosi nelle apparecchiature, i rifiuti di apparecchiature elettriche ed elettroniche, accumulatori e batterie potrebbero produrre un impatto negativo sull'ambiente e sulla salute umana. Non smaltire elettrodomestici elettrici ed elettronici o batterie insieme ai rifiuti domestici! In conformità alla direttiva europea sui rifiuti di apparecchiature elettriche ed elettroniche (RAEE), sugli accumulatori e le batterie, nonché sui rifiuti di accumulatori e batterie, e al suo adattamento alle normative nazionali, i rifiuti di apparecchiature elettriche ed elettroniche, batterie e accumulatori vanno conservati separatamente e conferiti a un punto di raccolta separato per i rifiuti comunali, operando in conformità alle normative per la protezione dell'ambiente. Tale requisito viene indicato mediante il simbolo del bidone della spazzatura con ruote barrato apposto sull'apparecchio.

## Utilizzo previsto

Questo utensile va utilizzato per eseguire tagli di precisione dritti e inclinati del legno.

Non utilizzare la sega per tagliare materiali diversi da legno, alluminio o simili.

## Rumore

Livello tipico di rumore pesato A determinato in base allo standard EN62841-3-9:

Livello di pressione sonora ( $L_{pA}$ ): 90 dB (A)

Livello di potenza sonora ( $L_{WA}$ ): 97 dB (A)

Incertezza (K): 3 dB (A)

**NOTA:** Il valore o i valori dichiarati delle emissioni di rumori sono stati misurati in conformità a un metodo standard di verifica, e possono essere utilizzati per confrontare un utensile con un altro.

**NOTA:** Il valore o i valori dichiarati delle emissioni di rumori possono venire utilizzati anche per una valutazione preliminare dell'esposizione.

**⚠AVVERTIMENTO:** Indossare protezioni per le orecchie.

**⚠AVVERTIMENTO:** L'emissione di rumori durante l'utilizzo effettivo dell'utensile elettrico può variare rispetto al valore o ai valori dichiarati, a seconda dei modi in cui viene utilizzato l'utensile e specialmente a seconda di che tipo di pezzo venga lavorato.

**⚠AVVERTIMENTO:** Accertarsi di identificare misure di sicurezza per la protezione dell'operatore che siano basate su una stima dell'esposizione nelle condizioni effettive di utilizzo (tenendo conto di tutte le parti del ciclo operativo, ad esempio del numero di spegnimenti dell'utensile e di quando giri a vuoto, oltre al tempo di attivazione).

## Vibrazioni

Valore totale delle vibrazioni (somma vettoriale triassiale) determinato in base allo standard EN62841-3-9:

Emissione di vibrazioni ( $a_{hv}$ ): 2,5  $m/s^2$  o inferiore

Incertezza (K): 1,5  $m/s^2$

**NOTA:** Il valore o i valori complessivi delle vibrazioni dichiarati sono stati misurati in conformità a un metodo standard di verifica, e possono essere utilizzati per confrontare un utensile con un altro.

**NOTA:** Il valore o i valori complessivi delle vibrazioni dichiarati possono venire utilizzati anche per una valutazione preliminare dell'esposizione.

**⚠AVVERTIMENTO:** L'emissione delle vibrazioni durante l'utilizzo effettivo dell'utensile elettrico può variare rispetto al valore o ai valori dichiarati, a seconda dei modi in cui viene utilizzato l'utensile, specialmente a seconda di che tipo di pezzo venga lavorato.

**⚠AVVERTIMENTO:** Accertarsi di identificare misure di sicurezza per la protezione dell'operatore che siano basate su una stima dell'esposizione nelle condizioni effettive di utilizzo (tenendo conto di tutte le parti del ciclo operativo, ad esempio del numero di spegnimenti dell'utensile e di quando giri a vuoto, oltre al tempo di attivazione).

## Dichiarazione di conformità CE

### Solo per i paesi europei

La dichiarazione di conformità CE è inclusa nell'Allegato A al presente manuale di istruzioni.

## AVVERTENZE DI SICUREZZA

### Avvertenze generali relative alla sicurezza dell'utensile elettrico

**⚠AVVERTIMENTO:** Leggere tutte le avvertenze di sicurezza, le istruzioni, le illustrazioni e i dati tecnici forniti con il presente utensile elettrico. La mancata osservanza di tutte le istruzioni elencate di seguito potrebbe risultare in scosse elettriche, incendi e/o gravi lesioni personali.

### Conservare tutte le avvertenze e le istruzioni come riferimento futuro.

Il termine "utensile elettrico" nelle avvertenze si riferisce sia all'utensile elettrico (cablato) nel funzionamento alimentato da rete elettrica che all'utensile elettrico (a batteria) nel funzionamento alimentato a batteria.

### Istruzioni di sicurezza relative alle troncatrici

1. Le troncatrici sono destinate a tagliare legno o prodotti simili al legno, non possono essere utilizzate con mole abrasive per il taglio di materiali ferrosi quali barre, aste, montanti, e così via. La polvere abrasiva causa l'inceppamento delle parti mobili, ad esempio della protezione inferiore. Le scintille dovute al taglio abrasivo bruciano la protezione inferiore, la placchetta di taglio e altre parti in plastica.
2. Utilizzare sempre delle morse per sostenere il pezzo in lavorazione, se possibile. Qualora si mantenga il pezzo in lavorazione con le mani, è necessario sempre tenere la mano ad almeno 100 mm da entrambi i lati della lama. Non utilizzare questa sega per tagliare pezzi che siano troppo piccoli per poter essere fissati saldamente con delle morse o mantenuti in mano. Qualora si posizioni la mano troppo vicina alla lama, sussiste un maggior rischio di lesioni personali dovute al contatto con la lama.
3. Il pezzo in lavorazione deve essere immobile e fissato con delle morse o tenuto fermo appoggiandolo sia contro la guida che contro il tavolo. Non passare il pezzo in lavorazione nella lama né tagliarlo "a mani libere" in alcun modo. Pezzi in lavorazione non bloccati o in movimento potrebbero venire scagliati ad alte velocità, causando lesioni personali.
4. Non attraversare mai con la mano la linea di taglio stabilita, né davanti né dietro la lama. È molto pericoloso sostenere il pezzo in lavorazione "con la mano incrociata", vale a dire mantenendo il pezzo in lavorazione a destra della lama con la mano sinistra o viceversa.

► Fig.1

5. **Non allungare le mani dietro la guida a una distanza inferiore a 100 mm da entrambi i lati della lama, per rimuovere sfridi di legno o per qualsiasi altro motivo, mentre la lama sta ruotando.** La prossimità della lama in rotazione alla mano potrebbe non risultare evidente, e si potrebbero subire gravi lesioni personali.
  6. **Ispesizionare il pezzo in lavorazione prima di effettuare il taglio. Qualora il pezzo in lavorazione sia curvato o distorto, fissarlo con una morsa con il lato esterno curvato rivolto verso la guida. Accertarsi sempre che non vi siano spazi tra il pezzo in lavorazione, la guida e il tavolo lungo la linea di taglio.** Pezzi in lavorazione piegati o distorti possono torcersi o spostarsi, e potrebbero causare l'inceppamento della lama in rotazione durante il taglio. Nel pezzo in lavorazione non devono essere presenti chiodi o corpi estranei.
  7. **Non utilizzare la sega fino a quando il tavolo è libero da tutti gli utensili, gli sfridi di legno, e così via, tranne il pezzo in lavorazione.** Piccoli detriti o pezzi allentati di legno o altri oggetti che entrano in contatto con la lama in rotazione possono venire scagliati ad alta velocità.
  8. **Tagliare un solo pezzo in lavorazione alla volta.** Non è possibile fissare con una morsa o supportare in modo adeguato più pezzi in lavorazione impilati, e questi ultimi potrebbero incepparsi nella lama o spostarsi durante il taglio.
  9. **Accertarsi che la troncatrice venga montata o posizionata su una superficie di lavoro piana e stabile prima dell'uso.** Una superficie di lavoro piana e stabile riduce il rischio che la troncatrice diventi instabile.
  10. **Pianificare il lavoro. Ogni volta che si cambia l'impostazione dell'angolo di taglio a unghia od obliquo, accertarsi che la guida regolabile sia impostata correttamente per sostenere il pezzo in lavorazione e che non interferisca con la lama o il sistema di protezione.** Senza accendere l'utensile e senza alcun pezzo in lavorazione sul tavolo, spostare la lama attraverso un taglio simulato completo per accertarsi che non vi siano interferenze o pericolo di tagliare la guida.
  11. **Fornire un supporto adeguato, ad esempio prolungamenti del tavolo, cavalletti per segare la legna, e così via, per un pezzo in lavorazione che sia più largo o più lungo della superficie del tavolo.** I pezzi in lavorazione più lunghi o più larghi del tavolo della troncatrice possono rovesciarsi, se non vengono supportati saldamente. Qualora il pezzo tagliato o il pezzo in lavorazione si rovesci, può sollevare la protezione inferiore o venire scagliato dalla lama in rotazione.
  12. **Non utilizzare un'altra persona come sostituto per un prolungamento del tavolo o come supporto aggiuntivo.** Il supporto instabile per il pezzo in lavorazione può causare l'inceppamento della lama o lo spostamento del pezzo in lavorazione durante l'operazione di taglio, tirando sia l'operatore che l'aiutante verso la lama in rotazione.
  13. **Il pezzo tagliato non deve venire spinto con forza né premuto in alcun modo contro la lama in rotazione.** Il pezzo tagliato, qualora sia confinato, ad esempio mediante l'uso di battute longitudinali, potrebbe incunearsi contro la lama e venire scagliato con violenza.
  14. **Utilizzare sempre una morsa o un dispositivo di fissaggio progettato per sostenere correttamente materiali tondi, quali aste o tubazioni.** Le aste tendono a rotolare mentre vengono tagliate, facendo sì che la lama "morda" e tiri il pezzo in lavorazione insieme alla mano verso la lama.
  15. **Lasciar raggiungere la massima velocità alla lama, prima di mettere quest'ultima in contatto con il pezzo in lavorazione.** In tal modo si riduce il rischio che il pezzo in lavorazione venga scagliato.
  16. **Qualora il pezzo in lavorazione o la lama si inceppino, spegnere la troncatrice. Attendere che tutte le parti mobili si arrestino, scollegare la spina dalla fonte di alimentazione, e/o rimuovere la cartuccia della batteria. Quindi, intervenire per liberare il materiale inceppato.** Qualora si continui a segare con un pezzo in lavorazione inceppato, si potrebbe causare la perdita di controllo o il danneggiamento della troncatrice.
  17. **Dopo aver terminato il taglio, rilasciare l'interruttore, mantenere la testa della sega abbassata e attendere che la lama si arresti, prima di rimuovere il pezzo tagliato.** È pericoloso allungare una mano dietro la lama che si sta arrestando.
  18. **Mantenere il manico saldamente quando si intende effettuare un taglio incompleto o quando si intende rilasciare l'interruttore prima che la testa della sega sia completamente in posizione abbassata.** L'operazione di frenatura della sega potrebbe far sì che la testa della sega venga tirata improvvisamente verso il basso, causando un rischio di lesione personale.
  19. **Utilizzare esclusivamente una lama che abbia il diametro indicato sull'utensile o specificato nel manuale.** L'uso di una lama di dimensioni errate potrebbe influire sulla corretta protezione della lama o sul funzionamento della protezione, il che potrebbe risultare in gravi lesioni personali.
  20. **Utilizzare solo lame che siano contrassegnate con una velocità pari o superiore a quella contrassegnata sull'utensile.**
  21. **Non utilizzare la sega per tagliare materiali diversi da legno, alluminio o simili.**
  22. **(Solo per le nazioni europee) Utilizzare sempre una lama conforme allo standard EN847-1.**
- Istruzioni aggiuntive**
1. **Rendere le officine a prova di bambino utilizzando lucchetti.**
  2. **Non salire mai sull'utensile.** Qualora l'utensile si rovesci o si entri accidentalmente in contatto con l'utensile da taglio, si potrebbero verificare gravi lesioni personali.
  3. **Non lasciare mai l'utensile in funzione incustodito. Spegnerlo. Non abbandonare l'utensile fino al suo arresto completo.**
  4. **Non utilizzare la sega senza le protezioni in posizione. Controllare che la protezione lama si chiuda correttamente prima di ciascun utilizzo. Non utilizzare la sega qualora la protezione lama non si muova liberamente e non si chiuda istantaneamente. Non bloccare o legare mai la protezione lama in posizione di apertura.**

5. Tenere le mani fuori dal percorso della lama. Evitare il contatto con la lama durante il moto inerziale. La lama può ancora causare gravi lesioni personali.
6. Fissare sempre tutte le parti mobili prima di trasportare l'utensile.
7. Il perno di fermo che blocca verso il basso la testa troncatrice va utilizzato solo per trasportare o riporre l'utensile, non per operazioni di taglio di alcun genere.
8. Controllare con cura che la lama non presenti crepe o danneggiamenti prima dell'utilizzo. Sostituire immediatamente le lame spaccate o danneggiate. Gomma e pece nera indurite sulle lame rallentano la sega e fanno aumentare il rischio di contraccolpi. Mantenere la lama pulita rimuovendola innanzitutto dall'utensile, e quindi pulendola con sostanze di rimozione della gomma e della pece, acqua calda o cherosene. Non utilizzare mai benzina per pulire la lama.
9. Utilizzare esclusivamente le flange specificate per il presente utensile.
10. Fare attenzione a non danneggiare l'albero, le flange (soprattutto la superficie di installazione) o il bullone. Eventuali danni a queste parti potrebbero risultare nella rottura della lama.
11. Accertarsi che la base girevole sia fissata saldamente, affinché non si muova durante l'uso dell'utensile. Utilizzare i fori presenti nella base per fissare la sega a una piattaforma di lavoro o un banco stabili. Non utilizzare MAI l'utensile qualora il posizionamento dell'operatore risulti scomodo.
12. Prima di accendere l'utensile, accertarsi di aver rilasciato il blocco albero.
13. Accertarsi che la lama non sia a contatto con la base girevole nella posizione più bassa.
14. Tenere saldamente l'utensile per il manico. Tenere presente che la sega si muove leggermente verso l'alto o verso il basso durante l'avvio e l'arresto.
15. Accertarsi che la lama non sia a contatto con il pezzo prima di accendere l'utensile.
16. Prima di utilizzare l'utensile su un pezzo, lasciarlo funzionare per qualche momento. Accertarsi che non siano presenti vibrazioni oppure oscillazioni che potrebbero indicare un'installazione inadeguata o un bilanciamento imperfetto della lama.
17. Interrompere immediatamente l'uso qualora si noti qualcosa di anomalo.
18. Non tentare di bloccare l'interruttore a grilletto nella posizione di accensione.
19. Utilizzare sempre gli accessori consigliati nel presente manuale. L'uso di accessori inadeguati, ad esempio ruote abrasive, potrebbe causare lesioni personali.
20. Alcuni materiali contengono sostanze chimiche che potrebbero essere tossiche. Adottare delle precauzioni per evitare l'inalazione delle polveri e il contatto con la pelle. Attenersi ai dati sulla sicurezza del fornitore del materiale.

Regole di sicurezza aggiuntive per il laser

1. **RADIAZIONE LASER, NON FISSARE LO SGUARDO SUL RAGGIO NÉ GUARDARLO DIRETTAMENTE CON STRUMENTI OTTICI; PRODOTTO LASER DI CLASSE 2M.**

## CONSERVARE LE PRESENTI ISTRUZIONI.

**AVVERTIMENTO:** NON lasciare che comodità o la familiarità d'utilizzo con il prodotto (acquisita con l'uso ripetuto) sostituisca la stretta osservanza delle norme di sicurezza per il prodotto in questione. L'USO IMPROPRIO o la mancata osservanza delle norme di sicurezza indicate nel presente manuale di istruzioni potrebbero causare gravi lesioni personali.

## Istruzioni di sicurezza importanti per la cartuccia della batteria

1. Prima di utilizzare la cartuccia della batteria, leggere tutte le istruzioni e le avvertenze riportate (1) sul caricabatteria, (2) sulla batteria e (3) sul prodotto che utilizza la batteria.
2. Non smantellare né manomettere la cartuccia della batteria. In caso contrario, si potrebbe causare un incendio, calore eccessivo o un'esplosione.
3. Qualora il tempo di utilizzo si riduca eccessivamente, interrompere immediatamente l'utilizzo dell'utensile. In caso contrario, si può incorrere nel rischio di surriscaldamento, possibili ustioni e persino un'esplosione.
4. Qualora l'elettrolita entri in contatto con gli occhi, sciacquarli con acqua pulita e richiedere immediatamente assistenza medica. Questa eventualità può risultare nella perdita della vista.
5. Non cortocircuitare la cartuccia della batteria:
  - (1) Non toccare i terminali con alcun materiale conduttivo.
  - (2) Evitare di conservare la cartuccia della batteria in un contenitore insieme ad altri oggetti metallici quali chiodi, monete, e così via.
  - (3) Non esporre la cartuccia della batteria all'acqua o alla pioggia.
 Un cortocircuito della batteria può causare un grande flusso di corrente, un surriscaldamento, possibili ustioni e persino un guasto.
6. Non conservare e utilizzare l'utensile e la cartuccia della batteria in ubicazioni in cui la temperatura possa raggiungere o superare i 50°C.
7. Non incenerire la cartuccia della batteria anche qualora sia gravemente danneggiata o completamente esaurita. La cartuccia della batteria può esplodere se a contatto con il fuoco.
8. Non inchiodare, tagliare, schiacciare, lanciare o far cadere la cartuccia della batteria, né farla urtare con forza contro un oggetto duro. Questi comportamenti potrebbero risultare in un incendio, calore eccessivo o un'esplosione.
9. Non utilizzare una batteria danneggiata.

10. **Le batterie a ioni di litio contenute sono soggette ai requisiti del regolamento sul trasporto di merci pericolose (Dangerous Goods Legislation).**  
Per trasporti commerciali, ad esempio da parte di terzi o spedizionieri, è necessario osservare dei requisiti speciali sull'imballaggio e sull'etichetta. Per la preparazione dell'articolo da spedire, è richiesta la consulenza di un esperto in materiali pericolosi. Attenersi anche alle normative nazionali, che potrebbero essere più dettagliate. Nastrire o coprire i contatti aperti e imballare la batteria in modo tale che non si possa muovere liberamente all'interno dell'imballaggio.
11. **Quando si intende smaltire la cartuccia della batteria, rimuoverla dall'utensile e smaltirla in un luogo sicuro. Attenersi alle normative locali relative allo smaltimento della batteria.**
12. **Utilizzare le batterie esclusivamente con i prodotti specificati da Makita.** L'installazione delle batterie in prodotti non compatibili potrebbe risultare in incendi, calore eccessivo, esplosioni o perdite di liquido elettrolitico.
13. **Se l'utensile non viene utilizzato per un periodo di tempo prolungato, la batteria deve essere rimossa dall'utensile.**
14. **Durante e dopo l'uso, la cartuccia della batteria potrebbe assorbire calore, che può causare ustioni o ustioni a bassa temperatura. Fare attenzione a come si maneggiano le cartucce delle batterie estremamente calde.**
15. **Non toccare i terminali dell'utensile subito dopo l'uso, in quanto potrebbero diventare estremamente caldi al punto da causare ustioni.**
16. **Evitare di far incastrare schegge, polveri o terreno nei terminali, nei fori e nelle scanalature della cartuccia della batteria.** In caso contrario, l'utensile o la cartuccia della batteria potrebbero riscaldarsi, prendere fuoco, scoppiare o guastarsi, causando ustioni o lesioni personali.
17. **A meno che l'utensile supporti l'uso in prossimità di linee elettriche ad alta tensione, non utilizzare la cartuccia della batteria in prossimità di linee elettriche ad alta tensione.** In caso contrario, si potrebbe causare un malfunzionamento o la rottura dell'utensile o della cartuccia della batteria.
18. **Tenere la batteria lontana dai bambini.**

## CONSERVARE LE PRESENTI ISTRUZIONI.

**⚠ATTENZIONE:** Utilizzare solo batterie originali Makita. L'utilizzo di batterie Makita non originali, o di batterie che siano state alterate, potrebbe risultare nello scoppio della batteria, causando incendi, lesioni personali e danni. Inoltre, ciò potrebbe invalidare la garanzia Makita per l'utensile e il caricabatterie Makita.

## Suggerimenti per preservare la durata massima della batteria

1. **Caricare la cartuccia della batteria prima che si scarichi completamente. Smettere sempre di utilizzare l'utensile e caricare la cartuccia della batteria quando si nota che la potenza dell'utensile è diminuita.**
2. **Non ricaricare mai una cartuccia della batteria completamente carica. La sovraccarica riduce la vita utile della batteria.**
3. **Caricare la cartuccia della batteria a una temperatura ambiente compresa tra 10 °C e 40 °C. Lasciar raffreddare una cartuccia della batteria prima di caricarla.**
4. **Quando non si utilizza la cartuccia della batteria, rimuoverla dall'utensile o dal caricabatterie.**
5. **Caricare la cartuccia della batteria se non la si è utilizzata per un periodo di tempo prolungato (più di sei mesi).**

## DESCRIZIONE DELLE PARTI

► Fig.2

1	Pulsante di sblocco	2	Interruttore a grilletto	3	Maniglia	4	Cassa lama
5	Lama	6	Protezione lama	7	Guida pezzo secondaria	8	Guida pezzo secondaria piccola
9	Base	10	Base girevole	11	Guida pezzo	12	Morsa verticale
13	Sacchetto segatura	14	Bocchettone segatura	15	Coperchio centrale	-	-

► Fig.3

16	Lampada	17	Cartuccia della batteria	18	Chiave esagonale	19	Leva di rilascio
20	Leva (per la regolazione dell'angolo di taglio a unghia)	21	Piano di taglio	22	Bullone di regolazione del limite inferiore	23	Interruttore della lampada
24	Interruttore del laser	-	-	-	-	-	-

# INSTALLAZIONE

## Montaggio su banco

**⚠AVVERTIMENTO:** Accertarsi che l'utensile non si sposti sul piano di appoggio. Il movimento della sega circolare sul piano di appoggio durante il taglio potrebbe causare la perdita del controllo della medesima e provocare gravi lesioni personali.

1. Fissare la base a una superficie piana e stabile, avvitandola con due bulloni. Ciò impedisce il rovesciamento dell'utensile e le eventuali lesioni personali conseguenti.

► Fig.4: 1. Bullone

# DESCRIZIONE DELLE FUNZIONI

**⚠AVVERTIMENTO:** Accertarsi sempre che l'utensile sia spento e di aver rimosso la batteria prima di regolare o di controllare le funzioni dell'utensile. Qualora non si spenga l'utensile e non si rimuova la batteria, si potrebbero verificare gravi lesioni personali causate dal suo avvio accidentale.

## Installazione o rimozione della cartuccia della batteria

**⚠ATTENZIONE:** Spegner sempre l'utensile prima di installare o rimuovere la cartuccia della batteria.

**⚠ATTENZIONE:** Mantenere saldamente lo strumento e la batteria quando si intende installare o rimuovere la cartuccia della batteria. Qualora non si mantengano saldamente lo strumento e la cartuccia della batteria, questi ultimi potrebbero scivolare dalle mani, con la possibilità di causare un danneggiamento dello strumento e della cartuccia della batteria, nonché una lesione personale.

► Fig.5: 1. Indicatore rosso 2. Pulsante 3. Cartuccia della batteria

Per rimuovere la cartuccia della batteria, farla scorrere via dall'utensile mentre si fa scorrere allo stesso tempo il pulsante sulla parte anteriore della cartuccia.

Per installare la cartuccia della batteria, allineare l'appendice della batteria con la scanalatura nell'alloggiamento e farla scivolare in sede. Inserirla completamente fino al suo blocco in sede con un leggero scatto. Se è possibile vedere l'indicatore rosso sul lato superiore del pulsante, la batteria non è bloccata completamente.

**⚠ATTENZIONE:** Installare sempre fino in fondo la cartuccia della batteria, fino a quando l'indicatore rosso non è più visibile. In caso contrario, la batteria potrebbe cadere accidentalmente dall'utensile, causando lesioni personali all'operatore o a chi gli è vicino.

**⚠ATTENZIONE:** Non installare forzatamente la cartuccia della batteria. Qualora la batteria non si inserisca scorrendo agevolmente, vuol dire che non viene inserita correttamente.

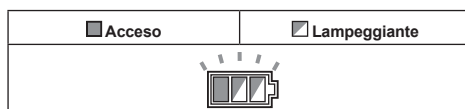
# Sistema di protezione strumento/batteria

L'utensile è dotato di un sistema di protezione dell'utensile stesso e della batteria. Tale sistema interrompe automaticamente l'alimentazione al motore per prolungare la vita utile dell'utensile e della batteria. L'utensile si arresta automaticamente durante il funzionamento, qualora l'utensile o la batteria vengano a trovarsi in una delle condizioni seguenti:

## Protezione dal sovraccarico

Quando l'utensile viene utilizzato in un modo che causa un assorbimento di corrente elevato in modo anomalo, lo strumento si arresta automaticamente senza alcuna indicazione. In questa situazione, spegnere l'utensile e interrompere l'applicazione che ne ha causato il sovraccarico. Quindi, accendere l'utensile per ricominciare.

## Protezione dal surriscaldamento



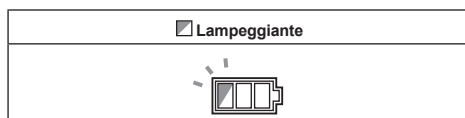
Quando l'utensile è surriscaldato si arresta automaticamente, e l'indicatore della batteria lampeggia per circa 60 secondi. In tal caso, lasciar raffreddare l'utensile prima di riaccenderlo.

## Protezione dalla sovrascarica

Quando la carica della batteria diventa bassa, l'utensile si arresta automaticamente. Qualora il prodotto non funzioni anche quando si attivano gli interruttori, rimuovere le batterie dall'utensile e caricarle.

## Annullamento del blocco mediante il sistema di protezione

Se il sistema di protezione viene attivato ripetutamente, l'utensile viene bloccato e l'indicatore della batteria lampeggia.



In tal caso, disattivare l'interruttore e rimuovere la causa che sta attivando il sistema di protezione, quindi riattivare l'interruttore. Qualora l'utensile non funzioni dopo aver riattivato l'interruttore, rimuovere la cartuccia della batteria e caricarla.



## Indicazione della carica residua della batteria

► Fig.6: 1. Indicatore della batteria

Quando si preme l'interruttore a grilletto, l'indicatore della batteria indica la carica residua della batteria.

Stato dell'indicatore della batteria			Carica residua della batteria
Acceso	Spento	Lampeggiante	
			Dal 50% al 100%
			Dal 20% al 50%
			Dallo 0% al 20%
			Caricare la batteria

## Indicazione della carica residua della batteria

Solo per cartucce delle batterie dotate di indicatore

► Fig.7: 1. Indicatori luminosi 2. Pulsante di controllo

Premere il pulsante di controllo sulla cartuccia della batteria per indicare la carica residua della batteria. Gli indicatori luminosi si illuminano per alcuni secondi.

Indicatori luminosi			Carica residua
Illuminato	Spento	Lampeggiante	
			Dal 75% al 100%
			Dal 50% al 75%
			Dal 25% al 50%
			Dallo 0% al 25%
			Caricare la batteria.
			La batteria potrebbe essersi guastata.

**NOTA:** A seconda delle condizioni d'uso e della temperatura ambiente, l'indicazione potrebbe variare leggermente rispetto alla carica effettiva.

**NOTA:** Il primo indicatore luminoso (all'estremità sinistra) lampeggia quando il sistema di protezione della batteria è in funzione.

## Funzione di variazione automatica della velocità

► Fig.8: 1. Indicatore di modalità

Stato dell'indicatore di modalità	Modalità di funzionamento
	Modalità ad alta velocità
	Modalità a coppia elevata

Questo utensile dispone di una "modalità ad alta velocità" e di una "modalità a coppia elevata". L'utensile cambia automaticamente la modalità di funzionamento a seconda del carico di lavoro. Quando l'indicatore di modalità si illumina durante il funzionamento, l'utensile è in modalità a coppia elevata.

## Perno di fermo

**ATTENZIONE:** Mantenere sempre fermo il manico quando si intende rilasciare il perno di fermo. In caso contrario, il manico scatta verso l'alto, e questo potrebbe risultare in lesioni personali.

Per rilasciare il perno di fermo, applicare in modo costante una leggera pressione verso il basso sul manico, quindi tirare il perno di fermo.

► Fig.9: 1. Perno di fermo

## Protezione lama

**AVVERTIMENTO:** Non rendere mai inoperante né rimuovere la protezione lama o la molla agganciata alla protezione. Una lama esposta a causa di una protezione resa inoperante potrebbe risultare in gravi lesioni personali durante il funzionamento.

**AVVERTIMENTO:** Non utilizzare mai l'utensile con la protezione lama o la molla danneggiate, difettose o rimosse. L'uso dell'utensile con una protezione danneggiata, difettosa o rimossa potrebbe risultare in gravi lesioni personali.

**ATTENZIONE:** Per un funzionamento sicuro, mantenere sempre la protezione lama in buone condizioni. In presenza di qualsiasi irregolarità nella protezione lama, arrestare immediatamente l'utilizzo. Accertarsi che l'azione della carica della molla faccia tornare la protezione in posizione.

► Fig.10: 1. Protezione lama

Quando si abbassa il manico, la protezione lama si solleva automaticamente. La protezione è caricata da una molla, per cui torna sulla sua posizione originale quando si solleva il manico al completamento del taglio.

## Pulizia

► Fig.11: 1. Protezione lama

Qualora la protezione trasparente della lama si sporchi, oppure qualora la segatura si depositi sulla protezione in modo tale da non rendere più visibili la lama e/o il pezzo, rimuovere la cartuccia della batteria e pulire con cura la protezione con un panno umido. Non utilizzare sulla protezione in plastica solventi o prodotti di pulizia a base di petrolio, poiché potrebbero danneggiarla.



Per la pulizia, sollevare la protezione lama facendo riferimento alla sezione "Installazione o rimozione della lama". Dopo la pulizia, accertarsi di riportare in posizione la lama e il coperchio centrale e serrare il bullone a esagono incassato.

1. Accertarsi che l'utensile sia spento e che le cartucce delle batterie siano rimosse.
2. Ruotare il bullone a esagono incassato in senso antiorario utilizzando la chiave esagonale in dotazione, mentre si mantiene fermo il coperchio centrale.
3. Sollevare la protezione lama e il coperchio centrale.
4. Al completamento della pulizia, riportare in posizione il coperchio centrale e serrare il bullone a esagono incassato eseguendo al contrario la procedura indicata sopra.

**⚠AVVERTIMENTO: Non rimuovere la molla che fissa la protezione lama.** Qualora la protezione venga danneggiata con il passare del tempo o a causa dell'esposizione alla luce ultravioletta, contattare un centro di assistenza Makita per la sostituzione. **NON RENDERE INOPERANTE NÉ RIMUOVERE LA PROTEZIONE.**

## Posizionamento del piano di taglio

Questo utensile è dotato di piani di taglio nella base girevole, per minimizzare la frammentazione sul lato d'uscita del taglio. I piani di taglio sono stati regolati in fabbrica in modo che la lama non sia in contatto con essi. Prima di procedere, regolare i piani di taglio come segue:

1. Accertarsi di rimuovere la cartuccia della batteria. Quindi, allentare tutte le viti (2 su ciascun lato, a destra e a sinistra) che fissano i piani di taglio.

► Fig.12: 1. Piano di taglio 2. Vite

2. Serrarle di nuovo solo entro un limite che consenta comunque di poter spostare facilmente i piani di taglio a mano.

3. Abbassare completamente il manico e premere verso l'interno il perno di fermo per bloccare il manico nella posizione abbassata.

4. Regolare i piani di taglio in modo che sfiorino appena i fianchi dei denti della lama.

► Fig.13

► Fig.14: 1. Lama 2. Denti lama 3. Piano di taglio 4. Taglio a unghia sinistro 5. Taglio diritto

5. Serrare le viti (non serrarle saldamente).
6. Dopo aver regolato i piani di taglio, rilasciare il perno di fermo e sollevare il manico. Quindi, serrare saldamente tutte le viti.

**AVVISO: Dopo aver regolato l'angolo di taglio a unghia, verificare che i piani di taglio siano regolati correttamente.** La corretta regolazione dei piani di taglio contribuisce a fornire un sostegno appropriato al pezzo e a ridurlo al minimo la frammentazione.

## Mantenimento della capacità massima di taglio

Il presente utensile è stato regolato in fabbrica in modo da fornire la capacità massima di taglio con le lame da 165 mm. Quando si intende installare una nuova lama, controllare sempre la posizione del limite inferiore della lama e, se necessario, regolarla nel modo seguente:

1. Rimuovere la cartuccia della batteria. Abbassare completamente la maniglia.
2. Utilizzare la chiave esagonale per ruotare il bullone di regolazione del limite inferiore fino a quando la lama viene a trovarsi leggermente al di sotto della sezione trasversale della guida pezzo e della superficie superiore della base girevole.

► Fig.15: 1. Bullone di regolazione

► Fig.16: 1. Guida pezzo

3. Ruotare la lama a mano tenendo il manico completamente abbassato per assicurare che la lama non sia in contatto con alcuna parte della base inferiore. Se necessario, effettuare di nuovo una leggera regolazione.

**⚠AVVERTIMENTO: Dopo aver installato una nuova lama e con la cartuccia della batteria rimossa, verificare sempre che la lama non sia in contatto con alcuna parte della base inferiore quando il manico viene abbassato completamente.** Qualora una lama dovesse entrare in contatto con la base, potrebbe causare un contraccolpo e risultare in gravi lesioni personali.

► Fig.17

## Guida pezzo secondaria

### Specifica in base alla nazione

Questo utensile è dotato di una guida pezzo secondaria e di guide pezzo secondarie piccole.

### Guida pezzo secondaria

**⚠AVVERTIMENTO: Rimuovere sempre la guida pezzo secondaria quando si intende eseguire tagli a unghia.** La mancata osservanza di questa indicazione potrebbe causare gravi lesioni personali.

► Fig.18: 1. Guida pezzo secondaria

Per eseguire tagli, tranne che per i tagli a unghia, utilizzare la guida pezzo secondaria per sostenere il pezzo in lavorazione.

### Guida pezzo secondaria piccola

**⚠ATTENZIONE: Per eseguire tagli a unghia a destra, ripiegare le guide pezzo secondarie piccole.** In caso contrario, le guide pezzo secondarie piccole potrebbero entrare in contatto con la lama o una parte dell'utensile, e ciò potrebbe risultare in gravi lesioni personali dell'operatore.

► Fig.19: 1. Guida pezzo secondaria piccola 2. Scala

Per eseguire tagli verticali o tagli a unghia a sinistra, rovesciare verso l'alto le guide pezzo secondarie piccole per sostenere il pezzo in lavorazione. La guida pezzo è dotata di una scala con un passo di graduazione pari a 10 mm.

## Regolazione dell'angolo di taglio obliquo

- **Fig.20:** 1. Vite di fissaggio 2. Base girevole  
3. Squadra di taglio obliquo 4. Indice

1. Allentare la vite di fissaggio in senso antiorario.
2. Regolare l'angolo della base girevole. Utilizzare l'indice e la scala di taglio obliquo come guida.
3. Serrare saldamente la vite di fissaggio in senso orario.

**⚠ATTENZIONE:** Dopo aver modificato l'angolo di taglio obliquo, fissare sempre la base girevole serrando saldamente la vite di fissaggio.

**AVVISO:** Quando si intende ruotare la base girevole, accertarsi di sollevare completamente il manico.

## Regolazione dell'angolo di taglio a unghia

Per regolare l'angolo di taglio a unghia, ruotare verso il basso la leva sulla parte posteriore dell'utensile.

- **Fig.21:** 1. Leva

Per inclinare la lama verso sinistra, afferrare la maniglia e inclinare la testa della sega. Utilizzare la scala di smussatura e l'indice come guida. Quindi, ruotare saldamente la leva verso l'alto per fissare la testa della sega.

- **Fig.22:** 1. Indice 2. Scala di smussatura

Per inclinare la lama verso destra, afferrare la maniglia e inclinare leggermente la testa della sega verso sinistra, quindi premere il pulsante di rilascio. Con il pulsante di rilascio premuto, inclinare la lama verso destra. Ruotare saldamente la leva verso l'alto per fissare la testa della sega.

- **Fig.23:** 1. Pulsante di rilascio

**⚠ATTENZIONE:** Dopo aver modificato l'angolo di taglio a unghia, fissare sempre la testa della sega ruotando saldamente la leva verso l'alto.

**AVVISO:** Quando si inclina la lama, controllare che il manico sia rialzato completamente.

**AVVISO:** Quando si intende modificare gli angoli di taglio a unghia, accertarsi di posizionare in modo appropriato i piani di taglio come illustrato nella sezione "Posizionamento dei piani di taglio".

## Impostazione dell'angolo di taglio a unghia di 46°

1. Allentare la leva e inclinare completamente la lama verso sinistra o verso destra.

- **Fig.24:** 1. Leva

2. Per inclinare la lama verso sinistra, afferrare la maniglia e inclinare leggermente la testa della sega verso destra, quindi spostare la leva di rilascio nella direzione della freccia. È possibile regolare l'angolo di taglio a unghia tra 45° e 46° inclinando la testa della sega mentre si sposta la leva di rilascio.

Per inclinare la lama verso destra, afferrare la maniglia e inclinare leggermente la testa della sega verso sinistra, quindi spostare la leva di rilascio nella direzione della freccia. È possibile regolare l'angolo di taglio a unghia tra 45° e 46° inclinando la testa della sega mentre si sposta la leva di rilascio.

- **Fig.25:** 1. Leva 2. Leva di rilascio

3. Ruotare saldamente la leva verso l'alto per fissare la testa della sega.

## Regolazione della posizione della leva

Qualora la leva non consenta un serraggio completo con il passare del tempo, cambiare la posizione della leva. È possibile riposizionare la leva a ogni angolo di 30°. Allentare e rimuovere la vite che fissa la leva. Rimuovere la leva e installarla di nuovo in modo che punti leggermente al di sopra del livello orizzontale. Quindi, serrare saldamente la leva con la vite.

- **Fig.26:** 1. Leva 2. Vite

## Utilizzo dell'interruttore

**⚠AVVERTIMENTO:** Prima di installare la cartuccia della batteria nell'utensile, accertarsi sempre che l'interruttore a grilletto funzioni correttamente e che torni sulla posizione "OFF" quando viene rilasciato. L'uso dell'utensile con un interruttore che non funzioni correttamente potrebbe causare la perdita del controllo e gravi lesioni personali.

**⚠AVVERTIMENTO:** Non utilizzare MAI l'utensile quando l'interruttore a grilletto non è perfettamente funzionante. Qualsiasi utensile con un interruttore non funzionante è ESTREMAMENTE PERICOLOSO e deve essere riparato prima di un ulteriore utilizzo; in caso contrario, si potrebbero verificare gravi lesioni personali.

**⚠AVVERTIMENTO:** Per la sicurezza dell'operatore, l'utensile è dotato di un pulsante di sblocco che ne impedisce l'avvio accidentale. Non utilizzare MAI l'utensile qualora quest'ultimo si avvii semplicemente premendo l'interruttore a grilletto senza premere il pulsante di sblocco. Un interruttore da riparare potrebbe causare un funzionamento accidentale e gravi lesioni personali. Portare l'utensile a un centro di assistenza Makita per le riparazioni necessarie PRIMA di un ulteriore utilizzo.

**⚠AVVERTIMENTO:** Non rendere MAI inefficace il pulsante di sblocco fissandolo con del nastro adesivo o in altro modo. Un interruttore con un pulsante di sblocco reso inefficace potrebbe risultare in un funzionamento accidentale e in gravi lesioni personali.

**AVVISO:** Non premere con forza l'interruttore a grilletto senza aver fatto rientrare il pulsante di sblocco premendolo. In caso contrario, si potrebbe causare la rottura dell'interruttore.

L'utensile è dotato di un pulsante di sblocco, per evitare che l'interruttore a grilletto venga premuto accidentalmente. Per avviare l'utensile, far rientrare il pulsante di sblocco premendolo e premere l'interruttore a grilletto. Per arrestare l'utensile, rilasciare l'interruttore a grilletto.

► **Fig.27:** 1. Pulsante di sblocco 2. Foro per lucchetto  
3. Interruttore a grilletto

## Accensione della lampada

**⚠ATTENZIONE:** Questa lampada non è impermeabile alla pioggia. Non lavare la lampada in acqua né utilizzarla sotto la pioggia o in un'area bagnata. Tale comportamento potrebbe causare scosse elettriche e fumi.

**⚠ATTENZIONE:** Non toccare la lente della lampada, in quanto è estremamente calda mentre la lampada è accesa o subito dopo il suo spegnimento. Pertanto, potrebbe causare un'ustione a un corpo umano.

**⚠ATTENZIONE:** Non sottoporre la lampada a impatti, che potrebbero danneggiarla o ridurre la vita utile.

**⚠ATTENZIONE:** Non dirigere continuamente il raggio di luce nei propri occhi. Questo può fare male agli occhi.

**⚠ATTENZIONE:** Non coprire la lampada con indumenti, cartone, cartoncino oppure oggetti simili mentre è accesa, in quanto ciò potrebbe causare un incendio o una combustione.

**⚠ATTENZIONE:** Non osservare né guardare direttamente la fonte di luce.

Per accendere la lampada, premere la posizione superiore (I) dell'interruttore. Per spegnere la lampada, premere la posizione inferiore (0) dell'interruttore.

► **Fig.28:** 1. Lampada 2. Interruttore della lampada

**NOTA:** Per pulire la sporcizia dalla lente della lampadina, utilizzare un panno asciutto. Fare attenzione a non graffiare la lente della lampadina, altrimenti si potrebbe ridurre l'illuminazione.

**NOTA:** Accertarsi di disattivare l'interruttore, in quanto l'attivazione dell'interruttore consuma la carica della batteria.

## Funzione del raggio laser

**⚠ATTENZIONE:** Non guardare mai direttamente il raggio laser. Il raggio laser diretto può danneggiare gli occhi.

Per accendere il raggio laser, premere la posizione superiore (I) dell'interruttore. Per spegnere il raggio laser, premere la posizione inferiore (0) dell'interruttore.

► **Fig.29:** 1. Interruttore del laser

**NOTA:** Accertarsi di disattivare l'interruttore, in quanto l'attivazione dell'interruttore consuma la carica della batteria.

È possibile spostare il segnataglio laser sul lato sinistro o destro della lama per sega circolare, ruotando la vite di regolazione nel modo seguente.

► **Fig.30:** 1. Vite di regolazione

1. Allentare la vite di regolazione ruotandola in senso antiorario.

2. Con la vite di regolazione allentata, far scorrere quest'ultima verso destra o verso sinistra fino a fine corsa.

3. Serrare saldamente la vite di regolazione nella posizione in cui smette di scorrere.

**NOTA:** Il segnataglio laser è regolato in fabbrica in modo da essere posizionato entro 1 mm dalla superficie laterale della lama per sega circolare (posizione di taglio).

**NOTA:** Quando il segnataglio laser appare fioco ed è difficile vederlo a causa della luce solare diretta, spostare l'area di lavoro in un'ubicazione in cui sia presente meno luce solare diretta.

## Allineamento del segnataglio laser

Allineare la linea di taglio sul pezzo in lavorazione con il segnataglio laser.

► **Fig.31**

A) Quando si desidera ottenere le dimensioni corrette sul lato sinistro del pezzo in lavorazione, spostare il segnataglio laser sul lato sinistro della lama per sega circolare.

B) Quando si desidera ottenere le dimensioni corrette sul lato destro del pezzo in lavorazione, spostare il segnataglio laser sul lato destro della lama per sega circolare.

## MONTAGGIO

**⚠AVVERTIMENTO:** Accertarsi sempre che l'utensile sia spento e che la batteria sia stata rimossa, prima di qualsiasi intervento sull'utensile. Qualora l'utensile non venga spento e la batteria non venga rimossa, potrebbero verificarsi gravi lesioni personali.

## Conservazione della chiave esagonale

La chiave esagonale è riposta nella sede indicata nella figura. Quando è necessario utilizzare la chiave esagonale, estrarla dal portachiave.

Dopo l'utilizzo della chiave esagonale, è possibile riporla rimettendola nel portachiave.

► **Fig.32:** 1. Portachiave 2. Chiave esagonale

## Installazione o rimozione della lama

**⚠AVVERTIMENTO:** Accertarsi sempre che l'utensile sia spento e che la cartuccia della batteria sia stata rimossa, prima di installare o di rimuovere la lama. L'avvio accidentale dell'utensile potrebbe risultare in gravi lesioni personali.

**⚠ATTENZIONE:** Per installare o rimuovere la lama, utilizzare solo la chiave esagonale Makita in dotazione. In caso contrario, si potrebbe causare il serraggio eccessivo o insufficiente del bullone a esagono incassato. Ciò potrebbe causare lesioni personali.

Per rimuovere la lama, attenersi alla procedura seguente:

1. Rilasciare il perno di fermo, quindi bloccare la maniglia nella posizione sollevata premendo il perno di fermo per farlo rientrare.

► **Fig.33:** 1. Perno di fermo

2. Utilizzare la chiave esagonale per allentare il bullone a esagono incassato che fissa il coperchio centrale, ruotando il bullone in senso antiorario. Quindi, sollevare la protezione lama e il coperchio centrale.

► **Fig.34:** 1. Coperchio centrale 2. Bullone a esagono incassato 3. Chiave esagonale 4. Protezione lama

3. Premere il blocco albero per bloccare il mandrino e utilizzare la chiave esagonale per allentare il bullone a esagono incassato in senso orario. Quindi, rimuovere il bullone a esagono incassato del mandrino, la flangia esterna e la lama.

► **Fig.35:** 1. Blocco albero 2. Bullone a esagono incassato 3. Flangia esterna

4. Se la flangia interna è stata rimossa, installarla sul mandrino con la parte di montaggio della lama rivolta verso la lama. Se la flangia viene installata in modo errato, verrà sfregata contro la macchina.

► **Fig.36:** 1. Flangia esterna 2. Lama 3. Flangia interna 4. Bullone a esagono incassato (sinistrorso) 5. Mandrino 6. Parte di montaggio della lama

Per installare la lama, attenersi alla procedura seguente:

1. Montare la lama sulla flangia interna facendo attenzione. Accertarsi che la direzione della freccia sulla lama coincida con la direzione della freccia sulla cassa lama.

► **Fig.37:** 1. Lama 2. Freccia

2. Installare la flangia esterna e il bullone a esagono incassato, quindi utilizzare la chiave esagonale per serrare saldamente il bullone a esagono incassato (sinistrorso) del mandrino in senso antiorario, tenendo premuto contemporaneamente il blocco albero.

3. Riportare la protezione lama e il coperchio centrale sulla loro posizione originale. Quindi, serrare il bullone a esagono incassato del coperchio centrale in senso orario per fissare il coperchio centrale.

4. Rilasciare il manico dalla posizione sollevata tirando il perno di fermo. Abbassare il manico per accertarsi che la protezione lama si muova correttamente.

5. Accertarsi che il blocco albero abbia rilasciato il mandrino, prima di eseguire il taglio.

## Per strumenti con la flangia interna per lama con diametro del foro da 15,88 mm

### Specifica in base alla nazione

Montare sull'albero di montaggio la flangia interna con il lato incavato rivolto verso l'esterno, quindi applicare la lama (con l'anello montato, se necessario), la flangia esterna e il bullone esagonale.

### Per utensili privi di anello

► **Fig.38:** 1. Flangia esterna 2. Lama 3. Flangia interna 4. Bullone a esagono incassato (sinistrorso) 5. Mandrino

### Per utensili dotati di anello

► **Fig.39:** 1. Flangia esterna 2. Lama 3. Flangia interna 4. Bullone a esagono incassato (sinistrorso) 5. Anello 6. Mandrino

**AVVERTIMENTO:** Qualora sia necessario l'anello per montare la lama sul mandrino, accertarsi sempre che l'anello appropriato per il foro per l'albero della lama che si intende utilizzare sia installato tra la flangia interna e quella esterna. L'utilizzo di un anello errato per il foro per l'albero potrebbe risultare nel montaggio errato della lama, causando lo spostamento di quest'ultima e forti vibrazioni che potrebbero portare alla possibilità di perdita di controllo durante il funzionamento e gravi lesioni personali.

## Per strumenti con la flangia interna per lama con diametro del foro diverso da 20 mm o 15,88 mm

### Specifica in base alla nazione

La flangia interna ha un diametro specifico per la parte di montaggio della lama da un lato, e un diametro diverso per la parte di montaggio della lama dall'altro lato. Scegliere un lato corretto che consenta di inserire perfettamente la parte di montaggio della lama nel foro della lama.

► **Fig.40:** 1. Flangia esterna 2. Lama 3. Flangia interna 4. Bullone a esagono incassato (sinistrorso) 5. Mandrino 6. Parte di montaggio della lama

**ATTENZIONE:** Accertarsi che, sulla flangia interna, la parte "a" di montaggio della lama che è rivolta verso l'esterno si inserisca perfettamente nel foro "a" della lama. Il montaggio della lama sul lato sbagliato può risultare in pericolose vibrazioni.

## Sacchetto segatura

L'utilizzo del sacchetto segatura rende più pulite le operazioni di taglio e più facile la raccolta della segatura. Per montare il sacchetto segatura, inserirlo sul bocchettone segatura.

Quando il sacchetto segatura è quasi pieno a metà, rimuoverlo dall'utensile ed estrarre la chiusura. Svuotare il sacchetto segatura dandogli dei leggeri colpetti, in modo da rimuovere le particelle attaccate all'interno che potrebbero ostacolare l'ulteriore raccolta della segatura.

► **Fig.41:** 1. Sacchetto segatura 2. Bocchettone segatura 3. Chiusura

**NOTA:** Se si collega un aspirapolvere alla sega, è possibile eseguire operazioni più pulite.

► **Fig.42**

## Fissaggio del pezzo

**⚠AVVERTIMENTO:** È estremamente importante **firmare sempre correttamente il pezzo in lavorazione con la morsa**. La mancata osservanza di questa indicazione potrebbe risultare in gravi lesioni personali e causare il danneggiamento dell'utensile e/o del pezzo.

**⚠AVVERTIMENTO:** Quando si intende tagliare un pezzo in lavorazione più lungo della base di supporto della sega, il materiale va supportato per l'intera lunghezza che sporge dalla base di supporto e alla stessa altezza, in modo da mantenere il materiale in piano. Un sostegno corretto del pezzo in lavorazione contribuisce a evitare inceppamenti della lama e potenziali contraccolpi, che potrebbero risultare in gravi lesioni personali. Per fissare il pezzo, non fare affidamento solo sulla morsa verticale e/o orizzontale. I materiali sottili tendono a incurvarsi. Sostenere il pezzo per la sua intera lunghezza, al fine di evitare inceppamenti della lama e potenziali CONTRACCOLPI.

► Fig.43: 1. Sostegno 2. Base girevole

## Morsa verticale

**⚠AVVERTIMENTO:** Fissare saldamente il pezzo contro la base girevole e la guida pezzo con la morsa durante tutte le operazioni. In caso contrario, il materiale potrebbe spostarsi durante l'operazione di taglio, causare danni alla lama e venire espulso, causando la perdita del controllo e gravi lesioni personali.

Installare la morsa verticale sul lato sinistro o destro della guida pezzo. Inserire l'asta morsa nel foro della guida pezzo e serrare la vite inferiore per fissare l'asta morsa.

► Fig.44: 1. Braccio morsa 2. Manopola morsa 3. Guida pezzo 4. Base girevole 5. Vite inferiore 6. Vite superiore 7. Asta morsa

Posizionare il braccio morsa in base allo spessore e alla forma del pezzo, e fissare il braccio morsa serrando la vite superiore. Qualora la vite superiore tocchi la guida pezzo, installare la vite superiore sul lato opposto del braccio morsa. Accertarsi che nessuna parte dell'utensile entri in contatto con la morsa, quando si abbassa completamente la maniglia. Qualora una qualsiasi parte sia in contatto con la morsa, riposizionare quest'ultima. Premere il pezzo appoggiato di piatto contro la guida pezzo e la base girevole. Posizionare il pezzo sulla posizione di taglio desiderata e fissarlo saldamente serrando la manopola morsa.

## Montaggio della tracolla

### Accessorio opzionale

**⚠ATTENZIONE:** Accertarsi di rimuovere la tracolla prima di utilizzare l'utensile. La tracolla potrebbe restare attorcigliata e causare lesioni personali.

**⚠ATTENZIONE:** Accertarsi di fissare saldamente i ganci della tracolla all'utensile. Qualora i ganci siano fissati in modo incompleto, potrebbero staccarsi e causare lesioni personali.

La tracolla è comoda per trasportare l'utensile. Fissare i ganci della tracolla all'utensile come indicato nella figura.

► Fig.45: 1. Tracolla 2. Gancio

## FUNZIONAMENTO

Questo utensile è destinato al taglio di prodotti in legno. Utilizzando lame appropriate Makita originali, è possibile segare anche i materiali seguenti:

— Prodotti in alluminio

Per informazioni sulle lame circolari corrette da utilizzare per il materiale da tagliare, consultare il nostro sito web o contattare il proprio rivenditore locale Makita.

**⚠AVVERTIMENTO:** Prima di attivare l'interruttore, accertarsi che la lama non sia in contatto con il pezzo, e così via. L'accensione dell'utensile con la lama in contatto con il pezzo potrebbe risultare in un contraccolpo e in gravi lesioni personali.

**⚠AVVERTIMENTO:** Dopo un'operazione di taglio, non sollevare la lama fino al suo arresto completo. Il sollevamento di una lama che sia in moto inerziale potrebbe risultare in gravi lesioni personali e nel danneggiamento del pezzo.

**⚠ATTENZIONE:** Non rilasciare la testa della sega incontrollata dalla posizione completamente abbassata. Una testa della sega incontrollata potrebbe colpire l'utilizzatore causando lesioni personali.

**AVVISO:** Prima dell'uso, accertarsi di rilasciare il manico dalla posizione abbassata tirando il perno di fermo.

**AVVISO:** Non esercitare una pressione eccessiva sul manico durante il taglio. Una forza eccessiva può risultare nel sovraccarico del motore e/o in una diminuzione dell'efficienza di taglio. Premere verso il basso il manico solo con la forza necessaria a un taglio uniforme e senza una notevole riduzione della velocità della lama.

**AVVISO:** Premere delicatamente verso il basso il manico per eseguire il taglio. Qualora si preme con forza verso il basso il manico o si applichi una pressione laterale, la lama potrebbe vibrare lasciando un segno sul pezzo (segno della lama), e la precisione del taglio potrebbe venire compromessa.

## Taglio con pressione (taglio di pezzi piccoli)

► Fig.46

È possibile tagliare pezzi fino a 46 mm di altezza e 92 mm di larghezza nel modo seguente.

1. Fissare il pezzo in lavorazione con la morsa.
2. Accendere l'utensile senza mettere in contatto la lama con il pezzo, quindi attendere che la lama raggiunga la velocità massima, prima di abbassarla.
3. Abbassare delicatamente il manico sulla posizione completamente abbassata per tagliare il pezzo.
4. Al completamento del taglio, spegnere l'utensile e attendere che la lama si arresti completamente prima di riportarla alla posizione di elevazione massima.

## Taglio obliquo

Fare riferimento alla sezione relativa alla regolazione dell'angolo di taglio obliquo.

## Taglio a unghia

**⚠AVVERTIMENTO:** Dopo aver regolato la lama per un taglio a unghia, prima di utilizzare l'utensile accertarsi che la testa della sega e la lama abbiano corsa libera per tutta la lunghezza del taglio che si intende effettuare. L'arresto della corsa della testa della sega o della lama durante l'operazione di taglio potrebbe risultare in un contraccolpo e in gravi lesioni personali.

**⚠AVVERTIMENTO:** Quando si effettua un taglio a unghia, tenere le mani lontano dal percorso della lama. L'angolo della lama potrebbe ingannare l'operatore per quanto riguarda l'effettivo percorso della lama durante il taglio, e il contatto con la lama risulterebbe in gravi lesioni personali.

**⚠AVVERTIMENTO:** La lama non deve essere sollevata fino al suo arresto completo. Durante un taglio a unghia il pezzo di materiale tagliato potrebbe appoggiarsi alla lama. Qualora la lama venga sollevata mentre sta girando, la parte tagliata potrebbe venire espulsa dalla lama causando la frammentazione del materiale, che potrebbe risultare in gravi lesioni personali.

**⚠AVVERTIMENTO:** Rimuovere sempre la guida pezzo secondaria quando si intende eseguire tagli a unghia. La mancata osservanza di questa indicazione potrebbe causare gravi lesioni personali.

### ► Fig.47

1. Allentare la leva e inclinare la lama per regolare l'angolo di taglio a unghia (fare riferimento alla sezione "Regolazione dell'angolo di taglio a unghia" riportata in precedenza). Accertarsi di serrare di nuovo saldamente la leva per fissare in modo sicuro l'angolo di taglio a unghia selezionato.
2. Fissare il pezzo con una morsa.
3. Accendere l'utensile senza mettere in contatto la lama con il pezzo, e attendere che la lama raggiunga la velocità massima.
4. Abbassare delicatamente la maniglia sulla posizione completamente abbassata esercitando pressione al tempo stesso in parallelo con la lama per tagliare il pezzo in lavorazione.
5. Al completamento del taglio, spegnere l'utensile e attendere che la lama si arresti completamente prima di riportarla alla posizione di elevazione massima.

**AVVISO:** Quando si preme il manico verso il basso, esercitare la pressione parallelamente alla lama. Qualora si eserciti la forza perpendicolarmente alla base girevole, o qualora si cambi la direzione della pressione durante un taglio, la precisione del taglio viene compromessa.

## Taglio composito

Il taglio composito è una procedura in cui sul pezzo viene realizzato un taglio a unghia contemporaneamente a un taglio obliquo. Il taglio composito può venire eseguito all'angolazione indicata nella tabella.

Angolo di taglio obliquo	Angolo di taglio a unghia
45° a sinistra e a destra	Da 0° a 45° a sinistra e a destra
52° a destra	20° a sinistra, 45° a destra
52° a sinistra	45° a sinistra, 20° a destra

Quando si intende eseguire un taglio composito, fare riferimento alle spiegazioni "Taglio con pressione", "Taglio obliquo" e "Taglio a unghia".

## Taglio di estrusioni di alluminio

► Fig.48: 1. Morsa 2. Cubetto distanziatore 3. Guida pezzo 4. Estrusione di alluminio 5. Cubetto distanziatore

Quando si intende fissare estrusioni di alluminio, utilizzare dei cubetti distanziatori o degli sfidri come indicato nella figura per evitare la deformazione dell'alluminio. Quando si intende tagliare l'estruzione di alluminio, utilizzare un lubrificante da taglio per evitare l'accumulo di materiale in alluminio sulla lama.

**⚠ATTENZIONE:** Non tentare mai di tagliare estrusioni di alluminio spesse o arrotondate. Le estrusioni di alluminio spesse potrebbero staccarsi durante l'operazione, e non è possibile fissare saldamente le estrusioni di alluminio arrotondate con il presente utensile.

## Taglio di lunghezze ripetitive

Quando si intende tagliare numerosi pezzi di materiale della stessa lunghezza, dai 200 mm ai 330 mm, utilizzare la piastra di regolazione (accessorio opzionale). Installare la piastra di regolazione sul supporto (accessorio opzionale) come mostrato nella illustrazione.

► Fig.49: 1. Piastra di regolazione 2. Supporto 3. Vite

Allineare la linea di taglio sul pezzo con il lato destro o sinistro della scanalatura sul piano di taglio; quindi, tenendo fermo il pezzo, spostare la piastra di regolazione a raso contro l'estremità del pezzo. Quindi, fissare la piastra di regolazione con la vite. Quando non si utilizza la piastra di regolazione, allentare la vite e ruotare la piastra di regolazione in modo che non sia di ingombro.

## Trasporto dell'utensile

**⚠AVVERTIMENTO:** Il perno di fermo va utilizzato solo per trasportare o riporre l'utensile, e non deve mai essere utilizzato per alcuna operazione di taglio. L'utilizzo del perno di fermo per operazioni di taglio potrebbe causare un movimento inaspettato della lama che potrebbe risultare in un contraccolpo e in gravi lesioni personali.

**⚠ATTENZIONE:** Fissare sempre tutte le parti mobili prima di trasportare l'utensile. Qualora delle parti dell'utensile si spostino durante il trasporto, si potrebbe verificare una perdita di controllo o di equilibrio, che potrebbe risultare in lesioni personali.



1. Rimuovere la cartuccia della batteria.
2. Fissare la lama all'angolo di taglio a unghia di 0° e ruotare la base girevole nella posizione dell'angolo completo di taglio obliquo a destra.  
▶ **Fig.50:** 1. Base girevole
3. Abbassare completamente il manico e bloccarlo nella posizione abbassata premendo il perno di fermo verso l'interno.
4. Trasportare l'utensile mantenendolo per la maniglia.  
▶ **Fig.51**

## MANUTENZIONE

**⚠AVVERTIMENTO:** Per ottenere le prestazioni migliori e la massima sicurezza, accertarsi sempre che la lama sia affilata e pulita. Il tentativo di tagliare con una lama non affilata e/o sporca potrebbe causare un contraccolpo e risultare in gravi lesioni personali.

**⚠ATTENZIONE:** Accertarsi sempre che l'utensile sia spento e che la cartuccia della batteria sia stata rimossa prima di tentare di eseguire interventi di ispezione o manutenzione.

**AVVISO:** Non utilizzare mai benzina, benzene, solventi, alcol o altre sostanze simili. In caso contrario, si potrebbero causare scolorimenti, deformazioni o crepe.

Per preservare la SICUREZZA e l'AFFIDABILITÀ del prodotto, le riparazioni e qualsiasi altro intervento di manutenzione e di regolazione devono essere eseguiti da un centro di assistenza autorizzato Makita, utilizzando sempre ricambi Makita.

## Regolazione dell'angolo di taglio

Il presente utensile è stato regolato e allineato con cura in fabbrica, ma l'incuria nell'utilizzo potrebbe influenzare l'allineamento. Qualora lo strumento non sia allineato correttamente, attenersi alla procedura seguente:

### Angolo di taglio obliquo

1. Allentare la vite di fissaggio in senso antiorario.
2. Ruotare la base girevole fino a quando l'indice segna 0° sulla scala di taglio obliquo.  
▶ **Fig.52:** 1. Vite di fissaggio 2. Base girevole 3. Scala di taglio obliquo 4. Indice
3. Ruotare leggermente la base girevole in senso orario e antiorario per assestarla nella tacca di taglio obliquo di 0°. (Lasciarla in posizione se l'indice non indica 0°.)
4. Allentare i bulloni a esagono incassato che fissano la guida pezzo utilizzando la chiave esagonale.  
▶ **Fig.53:** 1. Guida pezzo 2. Bullone a esagono incassato  
▶ **Fig.54:** 1. Guida pezzo 2. Bullone a esagono incassato
5. Abbassare completamente il manico e bloccarlo nella posizione abbassata premendo il perno di fermo verso l'interno.

6. Regolare la guida pezzo con un righello triangolare, una squadra battente, e così via, fino a farle formare un angolo perpendicolare con la lama. Quindi, serrare saldamente il bullone a esagono incassato sulla guida pezzo.

▶ **Fig.55:** 1. Guida pezzo 2. Righello triangolare 3. Lama

7. Accertarsi che l'indice indichi 0° sulla scala di taglio obliquo. Qualora l'indice non indichi 0°, allentare la vite che fissa l'indice e regolare l'indice in modo che indichi 0°.

▶ **Fig.56:** 1. Vite 2. Scala di taglio obliquo 3. Indice

## Angolo di taglio a unghia

### Angolo di taglio a unghia di 0°

1. Abbassare completamente il manico e bloccarlo nella posizione abbassata premendo il perno di fermo verso l'interno.

2. Allentare la leva sulla parte posteriore dell'utensile.

3. Ruotare di due o tre giri in senso antiorario il bullone di regolazione dell'angolo di taglio a unghia di 0° sul lato destro della testa della sega per inclinare la lama verso destra.

▶ **Fig.57:** 1. Bullone di regolazione 2. Leva

4. Ruotare con attenzione in senso orario il bullone di regolazione dell'angolo di taglio a unghia di 0° fino a quando il lato della lama forma un angolo perpendicolare con la superficie superiore della base girevole. Utilizzare un righello triangolare, una squadra battente, e così via, come guida. Quindi, serrare saldamente la leva.

▶ **Fig.58:** 1. Righello triangolare 2. Lama 3. Superficie superiore della base girevole

5. Accertarsi che l'indice sul braccio indichi 0° sulla scala di smussatura. Qualora non indichi 0°, allentare la vite che fissa l'indice e regolare l'indice in modo che indichi 0°.

▶ **Fig.59:** 1. Vite 2. Indice 3. Scala di smussatura

### Angolo di taglio a unghia di 45°

Regolare l'angolo di taglio a unghia di 45° solo dopo aver eseguito la regolazione dell'angolo di taglio a unghia di 0°.

1. Allentare la leva e inclinare completamente la lama verso sinistra.
2. Accertarsi che l'indice sul braccio indichi 45° sulla scala di smussatura. Qualora l'indice non indichi 45°, ruotare il bullone di regolazione dell'angolo di taglio a unghia di 45° a sinistra, situato sul lato destro del braccio, fino a quando l'indice indica 45°.  
▶ **Fig.60:** 1. Bullone di regolazione dell'angolo di taglio a unghia di 45° a destra 2. Indice 3. Bullone di regolazione angolo a unghia di 45° a sinistra
3. Inclinare completamente verso destra la lama, quindi regolare l'angolo di taglio a unghia di 45° a destra utilizzando il bullone di regolazione dell'angolo di taglio a unghia di 45° a destra.

▶ **Fig.61:** 1. Lama 2. Righello triangolare



## Regolazione della posizione del segnataglio laser

**AVVERTIMENTO:** La cartuccia della batteria deve essere installata nell'utensile durante la regolazione del segnataglio laser. Fare molta attenzione a non accendere l'utensile durante la regolazione. L'avvio accidentale dell'utensile potrebbe risultare in gravi lesioni personali.

**ATTENZIONE:** Non guardare mai direttamente il raggio laser. L'esposizione diretta degli occhi al raggio potrebbe causare gravi danni agli occhi.

**AVVISO:** Controllare l'accuratezza della posizione del segnataglio laser a intervalli regolari.

**AVVISO:** Evitare che urti l'utensile. Questo potrebbe causare il disallineamento del segnataglio laser o potrebbe causare un danneggiamento del laser, riducendo la sua vita utile.

**AVVISO:** In caso di eventuali guasti dell'unità laser, far riparare l'utensile da un centro di assistenza autorizzato Makita.

La distanza di movimento del segnataglio laser è stabilita dalle viti di regolazione della distanza su entrambi i lati. Per alterare la posizione del segnataglio laser, attenersi alle procedure seguenti.

1. Rimuovere la cartuccia della batteria.
2. Disegnare una linea di taglio sul pezzo in lavorazione e posizionarlo sulla base girevole. In questa fase, non fissare il pezzo in lavorazione con una morsa o un dispositivo di fissaggio simile.
3. Abbassare il manico e allineare la linea di taglio con la lama.  
► Fig.62: 1. Linea di taglio
4. Riportare il manico nella posizione originale e fissare il pezzo in lavorazione con la morsa verticale, in modo che il pezzo in lavorazione non si sposti dalla posizione stabilita.  
► Fig.63: 1. Morsa
5. Installare la cartuccia della batteria nell'utensile e attivare l'interruttore del laser.
6. Allentare la vite di regolazione. Per allontanare il segnataglio laser dalla lama, ruotare la vite di regolazione della distanza in senso antiorario. Per avvicinare il segnataglio laser alla lama, ruotare la vite di regolazione della distanza in senso orario.

### Regolazione del segnataglio laser sul lato sinistro della lama

- Fig.64: 1. Vite di regolazione 2. Vite di regolazione della distanza 3. Chiave esagonale 4. Segnataglio laser 5. Lama

### Regolazione del segnataglio laser sul lato destro della lama

- Fig.65: 1. Vite di regolazione della distanza 2. Chiave esagonale 3. Segnataglio laser 4. Lama

7. Far scorrere la vite di regolazione sulla posizione in cui il segnataglio si sovrappone alla linea di taglio, quindi serrare la vite.

**NOTA:** La distanza di movimento del segnataglio laser è regolata in fabbrica entro 1 mm dalla superficie laterale della lama.

## Pulizia della lente del raggio laser

Il raggio laser diventa scarsamente visibile, man mano che la lente del raggio laser si sporca. Pulire periodicamente la lente del raggio laser. Rimuovere la cartuccia della batteria. Allentare la vite ed estrarre la lente. Pulire delicatamente la lente con un panno morbido inumidito.

► Fig.66: 1. Vite

► Fig.67: 1. Lente

**AVVISO:** Non rimuovere la vite che fissa la lente. Qualora non si riesca a estrarre la lente, allentare ulteriormente la vite.

**AVVISO:** Non utilizzare sulla lente solventi o prodotti di pulizia a base di petrolio.

## Dopo l'uso

Dopo l'uso, rimuovere i trucioli e la segatura attaccati all'utensile con un panno o uno straccio. Mantenere pulita la protezione della lama attenendosi alle indicazioni fornite nella sezione precedente "Protezione lama". Per evitare la ruggine, lubrificare le parti scorrevoli con olio per macchine.

## ACCESSORI OPZIONALI

**AVVERTIMENTO:** Questi accessori o componenti aggiuntivi Makita sono consigliati per l'uso con l'utensile Makita specificato nel presente manuale. L'uso di qualsiasi altro accessorio o componente aggiuntivo potrebbe risultare in gravi lesioni personali.

**AVVERTIMENTO:** Utilizzare l'accessorio o il componente aggiuntivo Makita unicamente per il suo scopo specificato. L'uso improprio di un accessorio o di un componente aggiuntivo potrebbe risultare in gravi lesioni personali.

Per ottenere ulteriori dettagli relativamente a questi accessori, rivolgersi a un centro di assistenza Makita.

- Lame al carburo
- Gruppo barre supporti
- Piastra di regolazione
- Tracolla
- Batteria e caricabatterie originali Makita

**NOTA:** Alcuni articoli nell'elenco potrebbero essere inclusi nell'imballaggio dell'utensile come accessori standard. Tali articoli potrebbero variare da nazione a nazione.

## TECHNISCHE GEGEVENS

Model:	DLS600
Diameter zaagblad	165 mm
Diameter middengat (asgat)	20 mm
Max. verstekhoek	Links 52°, Rechts 52°
Max. schuine hoek	Links 45° (46° bij gebruik van de ontgrendelhendel), Rechts 45° (46° bij gebruik van de ontgrendelhendel)
Nullasttoerental	5.000 min <sup>-1</sup>
Type laser	Rode laser 650 nm, max. uitgangsvermogen < 1,6 mW (laser van klasse 2M)
Afmetingen (l x b x h)	340 mm x 400 mm x 440 mm
Nominale spanning	18 V gelijkspanning
Nettogewicht	6,3 - 6,6 kg

### Max. zaagcapaciteit (h x b) met zaagblad van 165 mm

Verstekhoek	Schuine hoek		
	45° (links)	0°	45° (rechts)
0°	30 mm x 92 mm	46 mm x 92 mm	15 mm x 92 mm
45° (links en rechts)	30 mm x 65 mm	46 mm x 65 mm	15 mm x 65 mm

- In verband met ononderbroken research en ontwikkeling, behouden wij ons het recht voor de bovenstaande technische gegevens zonder voorafgaande kennisgeving te wijzigen.
- De technische gegevens van de accu kunnen van land tot land verschillen.
- Het gewicht kan verschillen afhankelijk van de hulpstukken, waaronder de accu. De lichtste en zwaarste combinatie, overeenkomstig de EPTA-procedure 01/2014, worden getoond in de tabel.

### Toepasselijke accu's en laders

Accu	BL1815N / BL1820B / BL1830B / BL1840B / BL1850B / BL1860B
Lader	DC18RC / DC18RD / DC18RE / DC18SD / DC18SE / DC18SF / DC18SH

- Sommige van de hierboven vermelde accu's en laders zijn mogelijk niet leverbaar afhankelijk van waar u woont.

**⚠ WAARSCHUWING:** Gebruik uitsluitend de accu's en laders die hierboven worden genoemd. Gebruik van enige andere accu of lader kan leiden tot letsel en/of brand.

### Symbolen

Hieronder staan de symbolen die voor het gereedschap kunnen worden gebruikt. Zorg ervoor dat u de betekenis ervan kent voordat u het gereedschap gaat gebruiken.



Lees de gebruiksaanwijzing.



Draag een veiligheidsbril.



Om letsel door rondvliegende houtsnippers te voorkomen, blijft u na het zagen de zaagkop omlaag gedruwd houden totdat het zaagblad volledig tot stilstand is gekomen.



Houd handen en vingers uit de buurt van het zaagblad.



Kijk nooit in de laserstraal. De rechtstreekse laserstraal kan uw ogen beschadigen.



Ni-MH  
Li-ion

Alleen voor EU-landen  
Als gevolg van de aanwezigheid van schadelijke componenten in het apparaat, kunnen oude elektrische en elektronische apparaten, accu's en batterijen negatieve gevolgen hebben voor het milieu en de gezondheid van mensen. Gooi elektrische en elektronische apparaten en accu's niet met het huisvuil weg! In overeenstemming met de Europese richtlijn inzake oude elektrische en elektronische apparaten en inzake accu's en batterijen en oude accu's en batterijen, alsmede de toepassing daarvan binnen de nationale wetgeving, dienen oude elektrische apparaten, accu's en batterijen gescheiden te worden opgeslagen en te worden ingeleverd bij een apart inzamelingspunt voor huishoudelijk afval dat de milieubeschermingsvoorschriften in acht neemt. Dit wordt op het apparaat aangegeven door het symbool van een doorgekruiste afvalcontainer.

## Doeleinden van gebruik

Dit gereedschap is bedoeld voor nauwkeurig recht zagen en verstekzagen in hout. Gebruik de zaag niet voor het zagen van iets anders dan hout, aluminium of soortgelijke materialen.

## Geluidsniveau

De typische, A-gewogen geluidsniveaus zijn gemeten volgens EN62841-3-9:  
Geluidsdrukniveau ( $L_{pA}$ ): 90 dB (A)  
Geluidsvermogeniveau ( $L_{WA}$ ): 97 dB (A)  
Onzekerheid (K): 3 dB (A)

**OPMERKING:** De opgegeven geluidsemissiewaarde(n) is/zijn gemeten volgens een standaardtestmethode en kan/kunnen worden gebruikt om dit gereedschap te vergelijken met andere gereedschappen.

**OPMERKING:** De opgegeven geluidsemissiewaarde(n) kan/kunnen ook worden gebruikt voor een beoordeling vooraf van de blootstelling.

**⚠ WAARSCHUWING:** Draag gehoorbescherming.

**⚠ WAARSCHUWING:** De geluidsemissie tijdens het gebruik van het elektrisch gereedschap in de praktijk kan verschillen van de opgegeven waarde(n) afhankelijk van de manier waarop het gereedschap wordt gebruikt, met name van het soort werkstuk waarmee wordt gewerkt.

**⚠ WAARSCHUWING:** Zorg ervoor dat veiligheidsmaatregelen worden getroffen ter bescherming van de gebruiker die zijn gebaseerd op een schatting van de blootstelling onder praktijkomstandigheden (rekening houdend met alle fasen van de bedrijfscyclus, zoals de tijdsduur gedurende welke het gereedschap is uitgeschakeld en stationair draait, naast de ingeschakelde tijdsduur).

## Trilling

De totale trillingswaarde (triaxiale vectorsom) zoals vastgesteld volgens EN62841-3-9:  
Trillingsemissie ( $a_h$ ): 2,5 m/s<sup>2</sup> of lager  
Onzekerheid (K): 1,5 m/s<sup>2</sup>

**OPMERKING:** De totale trillingswaarde(n) is/zijn gemeten volgens een standaardtestmethode en kan/kunnen worden gebruikt om dit gereedschap te vergelijken met andere gereedschappen.

**OPMERKING:** De opgegeven totale trillingswaarde(n) kan/kunnen ook worden gebruikt voor een beoordeling vooraf van de blootstelling.

**⚠ WAARSCHUWING:** De trillingsemissie tijdens het gebruik van het elektrisch gereedschap in de praktijk kan verschillen van de opgegeven waarde(n) afhankelijk van de manier waarop het gereedschap wordt gebruikt, met name van het soort werkstuk waarmee wordt gewerkt.

**⚠ WAARSCHUWING:** Zorg ervoor dat veiligheidsmaatregelen worden getroffen ter bescherming van de gebruiker die zijn gebaseerd op een schatting van de blootstelling onder praktijkomstandigheden (rekening houdend met alle fasen van de bedrijfscyclus, zoals de tijdsduur gedurende welke het gereedschap is uitgeschakeld en stationair draait, naast de ingeschakelde tijdsduur).

## EG-verklaring van conformiteit

### *Alleen voor Europese landen*

De EG-verklaring van conformiteit is bijgevoegd als Bijlage A bij deze gebruiksaanwijzing.

## VEILIGHEIDSWAARSCHUWINGEN

### Algemene veiligheidswaarschuwingen voor elektrisch gereedschap

**⚠ WAARSCHUWING:** Lees alle veiligheidswaarschuwingen, aanwijzingen, afbeeldingen en technische gegevens behorend bij dit elektrische gereedschap aandachtig door. Als u niet alle onderstaande aanwijzingen naleeft, kan dat resulteren in brand, elektrische schokken en/of ernstig letsel.

### Bewaar alle waarschuwingen en instructies om in de toekomst te kunnen raadplegen.

De term "elektrisch gereedschap" in de veiligheidsvoorschriften duidt op gereedschappen die op stroom van het lichtnet werken (met snoer) of gereedschappen met een accu (snoerloos).

### Veiligheidsinstructies voor verstekzagen

1. **Verstekzagen zijn bedoeld voor het zagen van hout of houtachtige materialen. Ze kunnen niet worden gebruikt met doorslijpschijven voor het doorslijpen van ferro-materialen, zoals stangen, staven, draadeinden, enz.** Door het slijpstof zullen bewegende delen, zoals de onderste beschermkap, vastlopen. De vonken die bij doorslijpen worden geproduceerd, verbranden de onderste beschermkap, het zaagsnede-inzetstuk en andere kunststofonderdelen.
2. **Gebruik klemmen om het werkstuk vast te zetten wanneer dat mogelijk is. Als u het werkstuk met de hand vasthoudt, moet u uw hand altijd minstens 100 mm van beide kanten van het zaagblad weg houden. Gebruik deze zaag niet voor het zagen van werkstukken die te klein zijn om stevig vast te klemmen of met de hand vast te houden. Als uw hand te dicht bij het zaagblad is geplaatst, is de kans groter dat u letsel oploopt door het aanraken van het zaagblad.**
3. **Het werkstuk moet stil liggen en vastgeklemd zijn of vastgehouden worden tegen zowel de geleider als de tafel. Voer het werkstuk niet in het zaagblad aan, en zaag nooit 'uit de vrije hand'. Losliggende of bewegende werkstukken kunnen op hoge snelheid worden weggegooid en letsel veroorzaken.**

4. **Kruis met uw hand nooit de beoogde zaaglijn, hetzij vóór dan wel achter het zaagblad.** Het 'kruislings' vasthouden van het werkstuk, waarbij het werkstuk aan de rechterkant van het zaagblad wordt vastgehouden met de linkerhand, of vice versa, is bijzonder gevaarlijk.
  - Fig.1
  5. **Reik niet achter de geleider met een van uw handen dichterbij dan 100 mm bij een van de kanten van het zaagblad, om houtsnippers te verwijderen of om welke andere reden dan ook, terwijl het zaagblad draait.** U realiseert zich mogelijk niet hoe dicht uw hand bij het draaiende zaagblad is en u kunt ernstig letsel oplopen.
  6. **Inspecteer uw werkstuk voordat u begint te zagen. Als het werkstuk gebogen of verdraaid is, klemt u het vast met de buitenkant van het gebogen oppervlak tegen de geleider. Verzekeer u er altijd van dat er geen opening is tussen het werkstuk, de geleider en de tafel langs de zaaglijn.** Gebogen of verdraaide werkstukken kunnen zich draaien of verschuiven, en kunnen het draaiende zaagblad doen verlopen tijdens het zagen. Er mogen geen spijkers of vreemde voorwerpen in het werkstuk zitten.
  7. **Gebruik de zaag niet totdat de tafel vrij is van alle gereedschappen, houtsnippers, enz., behalve het werkstuk.** Kleine stukjes afval, losse stukjes hout of andere voorwerpen die in aanraking komen met het draaiende zaagblad, kunnen met hoge snelheid worden weggegooid.
  8. **Zaag slechts één werkstuk tegelijkertijd.** Meerdere, opgestapelde werkstukken kunnen niet goed worden vastgeklemd of vastgehouden, en kunnen het zaagblad doen vastlopen of tijdens het zagen verschuiven.
  9. **Verzekeer u er vóór gebruik van dat de verstekzaag is bevestigd of geplaatst op een stevig werkoppervlak.** Een horizontaal en stevig werkoppervlak verkleint de kans dat de verstekzaag instabiel wordt.
  10. **Plan uw werkzaamheden. Elke keer wanneer u de instelling voor de schuine hoek of verstekhoek, verzeekert u zich ervan dat de verstelbare geleider correct is afgesteld om het werkstuk te steunen en tevens het zaagblad of beschermingssysteem niet raakt tijdens gebruik.** Zonder het gereedschap in te schakelen en zonder een werkstuk op de tafel, beweegt u het zaagblad langs een volledige, gesimuleerde zaagsnede om er zeker van te zijn dat het zaagblad niets raakt en er geen gevaar is dat in de geleider wordt gezaagd.
  11. **Zorg voor voldoende ondersteuning, zoals tafelverlengingen, zaagbokken, enz. voor een werkstuk dat breder of langer is dan het bovenoppervlak van de tafel.** Werkstukken die breder of langer zijn dan de verstekzaagtafel, kunnen kantelen als ze niet goed worden ondersteunt. Als het afgezaagde deel of het werkstuk kantelt, kan het de onderste beschermkap optillen of worden weggegooid door het draaiende zaagblad.
  12. **Gebruik niet een andere persoon als vervanging van een tafelverlenging of als extra ondersteuning.** Een instabiele ondersteuning van het werkstuk kan ertoe leiden dat het zaagblad vastloopt of het werkstuk verschuift tijdens het zagen, waardoor u en de helper in het draaiende zaagblad worden getrokken.
  13. **Het afgezaagde deel van het werkstuk mag op geen enkele wijze tegen het draaiende zaagblad bekneld raken of gedrukt worden.** Indien opgesloten, d.w.z. bij gebruik van lengteaanslagen, kan het afgezaagde deel tegen het zaagblad bekneld raken en met kracht weggegooid worden.
  14. **Gebruik altijd een klem of een bevestigingsmethode die bedoeld is om ronde werkstukken, zoals een staaf of buis, te ondersteunen.** Staven neigen te verrollen tijdens het zagen, waardoor het zaagblad zich 'vastbijt' en het werkstuk met uw hand in het zaagblad wordt getrokken.
  15. **Laat het zaagblad de volle snelheid bereiken voordat deze het werkstuk raakt.** Dit verkleint de kans dat het werkstuk wordt weggegooid.
  16. **Als het werkstuk of zaagblad vastloopt, schakelt u de verstekzaag uit. Wacht totdat alle bewegende delen tot stilstand zijn gekomen en trek de stekker uit het stopcontact en/of verwijder de accu. Verwijder daarna het vastgelopen materiaal.** Als u blijft zagen met een vastgelopen zaagblad, kunt u de controle over de verstekzaag verliezen of deze beschadigen.
  17. **Nadat u de zaagsnede hebt voltooid, laat u de schakelaar los, blijft u de zaagkop omlaag gedrukt houden en wacht u tot het zaagblad stilstaat voordat u het afgezaagde deel verwijderd.** Het is gevaarlijk om met uw hand in de buurt van het nalopende zaagblad te reiken.
  18. **Houd het handvat stevig vast bij het maken van een onvolledige zaagsnede en bij het loslaten van de schakelaar voordat de zaagkop helemaal omlaag is geduwd.** Door het remeffect van het zaagblad kan ertoe leiden dat de zaagkop plotseling omlaag getrokken wordt, waardoor een kans op letsel ontstaat.
  19. **Gebruik uitsluitend een zaagblad met een diameter zoals aangegeven op het gereedschap of vermeld in de gebruiksaanwijzing.** Het gebruik van een zaagblad met een verkeerde afmeting, kan een goede bescherming of werking van het zaagblad verhinderen, wat kan leiden tot ernstig persoonlijk letsel.
  20. **Gebruik altijd een zaagblad dat is gemarkeerd met een toerental dat gelijk is aan of hoger is dan het toerental dat is aangegeven op het gereedschap.**
  21. **Gebruik de zaag niet voor het zagen van iets anders dan hout, aluminium of soortgelijke materialen.**
  22. **(Alleen voor Europese landen) Gebruik altijd een zaagblad dat voldoet aan EN847-1.**
- Aanvullende instructies**
1. **Houd de werkplaats kinderveilig met hangsloten.**
  2. **Ga nooit op het gereedschap staan.** Er kan ernstig letsel ontstaan als het gereedschap omvalt of als het snij-/zaagagarietuur per ongeluk wordt aangeraakt.
  3. **Laat het gereedschap nooit ingeschakeld achter. Schakel de voeding uit. Laat het gereedschap niet achter totdat het volledig tot stilstand is gekomen.**

4. Gebruik de zaag niet zonder dat de beschermkappen zijn aangebracht. Controleer vóór elk gebruik of de beschermkap goed sluit. Gebruik de zaag niet indien de beschermkap niet goed beweegt en niet snel over het zaagblad sluit. Klem of bind de beschermkap nooit in de geopende stand vast.
5. Houd uw handen uit de buurt van het zaagblad. Voorkom contact met het nog nadraaiende zaagblad. Het kan nog steeds ernstig letsel veroorzaken.
6. Zet alle bewegende onderdelen vast alvorens het gereedschap te dragen.
7. De aanslagpen die de zaagkop in de onderste stand vergrendelt, wordt alleen gebruikt voor het dragen en opbergen van het gereedschap en niet voor zaagbedieningen.
8. Controleer vóór het gebruik het zaagblad zorgvuldig op barsten of beschadiging. Vervang een gebarsten of beschadigd zaagblad onmiddellijk. Gom of hars dat op het zaagblad is opgedroogd vertraagt het zaagblad en verhoogt de kans op terugslag. Houd het zaagblad schoon door dit eerst van het gereedschap te demonteren en het vervolgens schoon te maken met een schoonmaakmiddel voor gom en hars, heet water of kerosine. Gebruik nooit benzine om het zaagblad schoon te maken.
9. Gebruik alleen flenzen die voor dit gereedschap zijn bestemd.
10. Pas op dat u de as, de flenzen (vooral hun montagevlak) of de bout niet beschadigt. Beschadiging van deze onderdelen kan zaagbladbreuk veroorzaken.
11. Zorg dat het draaibaar voetstuk goed vastgezet is, zodat het tijdens het zagen niet kan bewegen. Gebruik de gaten in het voetstuk om de zaag te bevestigen op een stevig werkplatform of een stevige werkbank. Gebruik het gereedschap NOOIT wanneer de gebruiker in een ongemakkelijke houding moet staan.
12. Zet de asblokkering in de vrije stand alvorens de schakelaar in te drukken.
13. Zorg ervoor dat het zaagblad in zijn laagste positie niet in aanraking komt met het draaibaar voetstuk.
14. Houd het handvat stevig vast. Denk eraan dat de zaag bij het starten en stoppen even op- en neergaat.
15. Zorg dat het zaagblad bij het inschakelen niet in contact is met het werkstuk.
16. Laat het gereedschap een tijdje draaien alvorens het op het werkstuk te gebruiken. Controleer op trillingen of schommelingen die op onjuiste montage of op een slecht uitgebalanceerd zaagblad kunnen wijzen.
17. Stop onmiddellijk met zagen indien u iets abnormaals opmerkt.
18. Probeer niet om de trekkerschakelaar in de ingeschakeld stand te vergrendelen.
19. Gebruik uitsluitend de accessoires die in deze gebruiksaanwijzing worden aanbevolen. Het gebruik van ongeschikte accessoires, zoals slijpschijven, kan letsel veroorzaken.
20. Sommige materialen bevatten chemische stoffen die giftig kunnen zijn. Wees voorzichtig dat u geen stof inademt en het stof niet op uw huid komt. Volg de veiligheidsinstructies van de leverancier van het materiaal op.

#### Aanvullende veiligheidsvoorschriften voor een laser

1. **LASERSTRALING: KIJK NIET IN DE LASERSTRAAL EN KIJK NIET DOOR OPTISCHE INSTRUMENTEN RECHTSTREEKS NAAR DE LASERSTRAAL. LASERPRODUCT VAN KLASSE 2M.**

## BEWAAR DEZE INSTRUCTIES.

**⚠WAARSCHUWING:** Laat u NIET misleiden door een vals gevoel van comfort en bekendheid met het gereedschap (na veelvuldig gebruik) en neem alle veiligheidsvoorschriften van het betreffende gereedschap altijd strikt in acht. **VERKEERD GEBRUIK** of het niet naleven van de veiligheidsvoorschriften in deze gebruiksaanwijzing kan leiden tot ernstig persoonlijk letsel.

### Belangrijke veiligheidsinstructies voor een accu

1. Lees alle voorschriften en waarschuwingen op (1) de acculader, (2) de accu, en (3) het product waarvoor de accu wordt gebruikt, alvorens de accu in gebruik te nemen.
2. Haal de accu niet uit elkaar en saboteer hem niet. Dit kan leiden tot brand, buitensporige hitte of een explosie.
3. Als de gebruikstijd van een opgeladen accu aanzienlijk korter is geworden, moet u het gebruik ervan onmiddellijk stopzetten. Voortgezet gebruik kan oververhitting, brandwonden en zelfs een ontploffing veroorzaken.
4. Als elektrolyt in uw ogen is terechtgekomen, spoelt u uw ogen met schoon water en roept u onmiddellijk de hulp van een dokter in. Elektrolyt in de ogen kan blindheid veroorzaken.
5. Voorkom kortsluiting van de accu:
  - (1) Raak de accuklemmen nooit aan met een geleidend materiaal.
  - (2) Bewaar de accu niet in een bak waarin andere metalen voorwerpen zoals spijkers, munten e.d. worden bewaard.
  - (3) Stel de accu niet bloot aan water of regen. Kortsluiting van de accu kan oorzaak zijn van een grote stroomafgifte, oververhitting, brandwonden, en zelfs defecten.
6. Bewaar en gebruik het gereedschap en de accu niet op plaatsen waar de temperatuur kan oplopen tot 50 °C of hoger.
7. Werp de accu nooit in het vuur, ook niet wanneer hij zwaar beschadigd of volledig versleten is. De accu kan ontploffen in het vuur.
8. Laat de accu niet vallen, sla er geen spijker in, snijd er niet in, gooi er niet mee en stoot hem niet tegen een hard voorwerp. Dergelijke handelingen kunnen leiden tot brand, buitensporige hitte of een explosie.

9. **Gebruik nooit een beschadigde accu.**
10. **De bijgeleverde lithium-ionbatterijen zijn onderhevig aan de vereisten in de wetgeving omtrent gevaarlijke stoffen.**  
Voor commercieel transport en dergelijke door derden en transporteurs moeten speciale vereisten ten aanzien van verpakking en etikettering worden nageleefd.  
Als voorbereiding van het artikel dat wordt getransporteerd is het noodzakelijk een expert op het gebied van gevaarlijke stoffen te raadplegen. Houd u tevens aan mogelijk strengere nationale regelgeving.  
Blootliggende contactpunten moeten worden afgedekt met tape en de accu moet zodanig worden verpakt dat deze niet kan bewegen in de verpakking.
11. **Wanneer u de accu wilt weggooiden, verwijdert u de accu vanaf het gereedschap en gooit u hem op een veilige manier weg. Volg bij het weggooiden van de accu de plaatselijke voorschriften.**
12. **Gebruik de accu's uitsluitend met de gereedschappen die door Makita zijn aanbevolen.** Als de accu's worden aangebracht in niet-compatibele gereedschappen, kan dat leiden tot brand, buitensporige warmteontwikkeling, een explosie of lekkage van elektrolyt.
13. **Als u het gereedschap gedurende een lange tijd niet denkt te gaan gebruiken, moet de accu vanaf het gereedschap worden verwijderd.**
14. **Tijdens en na gebruik, kan de accu heet worden waardoor brandwonden of koude brandwonden kunnen worden veroorzaakt. Wees voorzichtig bij het hanteren van een hete accu.**
15. **Raak de aansluitpunten van het gereedschap niet onmiddellijk na gebruik aan omdat deze heet genoeg kunnen zijn om brandwonden te veroorzaken.**
16. **Zorg ervoor dat geen steenslag, stof of grond vast komt te zitten op/in de aansluitpunten, openingen en groeven van de accu.** Hierdoor kan oververhitting, brand, een barst en een storing in het gereedschap of de accu ontstaan waardoor brandwonden of persoonlijk letsel kunnen ontstaan.
17. **Behalve indien gebruik van het gereedschap is toegestaan in de buurt van hoogspanningsleidingen, mag u de accu niet gebruiken in de buurt van een hoogspanningsleiding.** Dit kan leiden tot een storing of een defect van het gereedschap of de accu.
18. **Houd de accu uit de buurt van kinderen.**

## BEWAAR DEZE INSTRUCTIES.

**⚠ LET OP:** Gebruik uitsluitend originele Makita accu's. Het gebruik van niet-originele accu's, of accu's die zijn gewijzigd, kan ertoe leiden dat de accu ontploft en brand, persoonlijk letsel en schade veroorzaakt. Ook vervalt daarmee de garantie van Makita op het gereedschap en de lader van Makita.

## Tips voor een maximale levensduur van de accu

1. **Laad de accu op voordat hij volledig ontladen is. Stop het gebruik van het gereedschap en laad de accu op telkens wanneer u vaststelt dat het vermogen van het gereedschap is afgenomen.**
2. **Laad een volledig opgeladen accu nooit opnieuw op. Te lang opladen verkort de levensduur van de accu.**
3. **Laad de accu op bij een omgevingstemperatuur tussen 10 °C en 40 °C. Laat een warme accu afkoelen alvorens hem op te laden.**
4. **Als de accu niet wordt gebruikt, verwijderd u hem vanaf het gereedschap of de lader.**
5. **Laad de accu op als u deze gedurende een lange tijd (meer dan zes maanden) niet gaat gebruiken.**

## BESCHRIJVING VAN DE ONDERDELEN

► Fig.2

1	Uit-vergrendelknop	2	Trekschakelaar	3	Handvat	4	Zaagbladkast
5	Zaagblad	6	Beschermkap	7	Hulpgeleider	8	Kleine hulpgeleider
9	Voetstuk	10	Draaibaar voetstuk	11	Geleider	12	Verticale spanschroef
13	Stofzak	14	Mondstuk	15	Middenkap	-	-

► Fig.3

16	Lamp	17	Accu	18	Inbussleutel	19	Ontgrendelhendel
20	Hendel (voor afstellen van schuine hoek)	21	Zaagsnedepaat	22	Stelbout voor de onderste stand	23	Lampschakelaar
24	Laserschakelaar	-	-	-	-	-	-



# BEVESTIGEN

## Op een werktafel bevestigen

**⚠WAARSCHUWING:** Zorg ervoor dat het gereedschap niet kan bewegen op de ondergrond. Als de verstekzaag tijdens het zagen beweegt ten opzichte van de ondergrond, kan dat leiden tot verlies van controle over het gereedschap en ernstig persoonlijk letsel.

1. Monteer de voeten van het gereedschap met behulp van bouten op een horizontale en stabiele ondergrond. Hierdoor wordt voorkomen dat het gereedschap omkantelt en mogelijk letsel veroorzaakt.

► Fig.4: 1. Bout

# BESCHRIJVING VAN DE FUNCTIES

**⚠WAARSCHUWING:** Zorg ervoor dat het gereedschap is uitgeschakeld en dat de accu is verwijderd voordat u de functies van het gereedschap aanpast of controleert. Als het gereedschap niet wordt uitgeschakeld en de accu niet uit het gereedschap wordt verwijderd, kan dat na per ongeluk inschakelen leiden tot ernstig persoonlijk letsel.

## De accu aanbrengen en verwijderen

**⚠LET OP:** Schakel het gereedschap altijd uit voordat u de accu aanbrengt of verwijderd.

**⚠LET OP:** Houd het gereedschap en de accu stevig vast tijdens het aanbrengen of verwijderen van de accu. Als u het gereedschap en de accu niet stevig vasthoudt, kunnen deze uit uw handen glippen en het gereedschap of de accu beschadigen, of kan persoonlijk letsel worden veroorzaakt.

► Fig.5: 1. Rood deel 2. Knop 3. Accu

Om de accu te verwijderen verschuift u de knop aan de voorkant van de accu en schuift u tegelijkertijd de accu uit het gereedschap.

Om de accu aan te brengen lijnt u de lip op de accu uit met de groef in de behuizing en duwt u de accu op zijn plaats. Steek de accu zo ver mogelijk in het gereedschap tot u een klikgeluid hoort. Als u het rode deel aan de bovenkant van de knop kunt zien, is de accu niet goed aangebracht.

**⚠LET OP:** Breng de accu altijd helemaal aan totdat het rode deel niet meer zichtbaar is. Als u dit niet doet, kan de accu per ongeluk uit het gereedschap vallen en u of anderen in uw omgeving verwonden.

**⚠LET OP:** Breng de accu niet met kracht aan. Als de accu niet gemakkelijk in het gereedschap kan worden geschoven, wordt deze niet goed aangebracht.

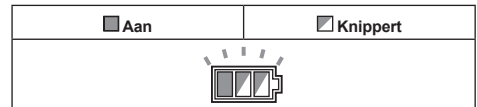
# Gereedschap-/accubeveiligingssysteem

Het gereedschap is voorzien van een gereedschap-/accubeveiligingssysteem. Dit systeem schakelt automatisch de voeding naar de motor uit om de levensduur van het gereedschap en de accu te verlengen. Het gereedschap kan tijdens het gebruik automatisch stoppen als het gereedschap of de accu aan één van de volgende omstandigheden wordt blootgesteld:

## Overbelastingsbeveiliging

Wanneer het gereedschap wordt gebruikt op een manier die een abnormaal hoge stroomsterkte vergt, stopt het gereedschap automatisch zonder dat een indicatorlampje gaat branden. Schakel in dat geval het gereedschap uit en stop het gebruik dat ertoe leidde dat het gereedschap overbelast raakte. Schakel daarna het gereedschap weer in om verder te gaan.

## Oververhittingsbeveiliging



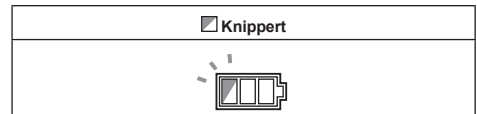
Wanneer het gereedschap oververhit is, stopt het gereedschap automatisch en knippert het accu-indicatorlampje gedurende ongeveer 60 seconden. In die situatie laat u het gereedschap eerst afkoelen voordat u het gereedschap opnieuw inschakelt.

## Beveiliging tegen te ver ontladen

Als de acculading laag is, stopt het gereedschap automatisch. Als het gereedschap niet werkt, ook niet wanneer de schakelaars worden bediend, verwijderd u de accu's vanaf het gereedschap en laadt u de accu's op.

## De vergrendeling door het beveiligingssysteem opheffen

Wanneer het beveiligingssysteem herhaaldelijk in werking treedt, wordt het gereedschap vergrendeld en knippert het accu-indicatorlampje.



Zet in dat geval de schakelaar uit en hef de oorzaak op waardoor het beveiligingssysteem in werking trad, en zet daarna de schakelaar weer aan. Als het gereedschap niet werkt nadat de schakelaar weer is aan gezet, verwijderd u de accu en laadt u deze op.



## De resterende acculading controleren

### ► Fig.6: 1. Accu-indicatorlampje

Wanneer u de trekkerschakelaar inknipt, geeft het accu-indicatorlampje de resterende acculading aan.

Toestand van accu-indicator			Resterende acculading
Aan	Uit	Knippert	
			50% tot 100%
			20% tot 50%
			0% tot 20%
			Laad de accu op.

## De resterende acculading controleren

### Alleen voor accu's met indicatorlampjes

#### ► Fig.7: 1. Indicatorlampjes 2. Testknop

Druk op de testknop op de accu om de resterende acculading te zien. De indicatorlampjes branden gedurende enkele seconden.

Indicatorlampjes			Resterende acculading
Brandt	Uit	Knippert	
			75% tot 100%
			50% tot 75%
			25% tot 50%
			0% tot 25%
			Laad de accu op.
			Er kan een storing zijn opgetreden in de accu.

**OPMERKING:** Afhankelijk van de gebruiksomstandigheden en de omgevingstemperatuur, is het mogelijk dat de aangegeven acculading verschilt van de werkelijke acculading.

**OPMERKING:** Het eerste (meest linker) indicatorlampje knippert wanneer het accubeveiligingssysteem in werking is getreden.

## Automatische toerentalwisselfunctie

### ► Fig.8: 1. Functie-indicatorlampje

Toestand van functie-indicatorlampje	Bedrijfsfunctie
	Hoog-toerentalfunctie
	Hoog-koppelfunctie

Dit gereedschap heeft een "hoog-toerentalfunctie" en een "hoog-koppelfunctie". De bedrijfsfunctie wordt automatisch veranderd aan de hand van de werkbelasting. Wanneer tijdens gebruik het functie-indicatorlampje gaat branden, staat het gereedschap in de hoog-koppelfunctie.

## Aanslagpen

**⚠ LET OP:** Houd altijd het handvat vast wanneer u de aanslagpen ontgrendeld. Anders springt het handvat omhoog en kan persoonlijk letsel ontstaan.

Om de aanslagpen te ontgrendelen, drukt u het handvat iets omlaag en trekt u aan de aanslagpen.

### ► Fig.9: 1. Aanslagpen

## Beschermkap

**⚠ WAARSCHUWING:** Zet de beschermkap nooit vast en verwijder nooit de beschermkap of de veer die eraan is bevestigd. Een blootliggend zaagblad als gevolg van een buiten werking gestelde beschermkap kan tijdens gebruik leiden tot ernstig persoonlijk letsel.

**⚠ WAARSCHUWING:** Gebruik het gereedschap nooit wanneer de beschermkap of de veer beschadigd, defect, of verwijderd is. Het gebruik van het gereedschap met een beschadigde, defecte of verwijderde beschermkap kan leiden tot ernstig persoonlijk letsel.

**⚠ LET OP:** Voor een veilig gebruik zorgt u ervoor dat de beschermkap altijd goed werkt. Stop het gebruik onmiddellijk als de beschermkap zich abnormaal gedraagt. Controleer of de veer goed werkt zodat de beschermkap goed terugkeert.

### ► Fig.10: 1. Beschermkap

Wanneer het handvat omlaag wordt gebracht, gaat de beschermkap automatisch omhoog. De beschermkap is veerbelast zodat zij naar haar oorspronkelijke positie terugkeert wanneer het zagen voltooid is en het handvat omhoog wordt gebracht.

## Reinigen

### ► Fig.11: 1. Beschermkap

Als de doorzichtige beschermkap vuil is geworden of er zaagsel aan kleeft zodat het zaagblad en/of het werkstuk niet meer goed zichtbaar is, verwijdert u de accu en maakt u de beschermkap voorzichtig schoon met een vochtige doek. Gebruik geen oplosmiddelen of een schoonmaakmiddel op petroleumbasis op de kunststoffen beschermkap omdat hierdoor de beschermkap kan worden beschadigd.

Voor het reinigen brengt u de beschermkap omhoog door het tekstdeel "Het zaagblad aanbrengen en verwijderen" te raadplegen.

Zorg ervoor dat na het reinigen het zaagblad en de middenkap weer worden aangebracht en de inbusbout wordt aangehaald.

1. Zorg ervoor dat het gereedschap is uitgeschakeld en de accu's zijn verwijderd.
2. Draai de inbusbout met de bijgeleverde inbussleutel linksom terwijl u de middenkap tegenhoudt.
3. Breng de beschermkap en de middenkap omhoog.
4. Nadat het reinigen klaar is, plaatst u de middenkap terug en draait u de inbusbout vast door de bovenstaande stappen in omgekeerde volgorde uit te voeren.

**⚠ WAARSCHUWING:** Verwijder de veer van de beschermkap niet. Als de beschermkap beschadigd is na verloop van tijd of door blootstelling aan ultraviolet licht, neemt u contact op met een Makita-servicecentrum om een vervangingsonderdeel te bestellen. **DE BESCHERMKAP NOOIT VASTZETTEN OF VERWIJDEREN.**

## De zaagsnedeplaat afstellen

Om scheuren op de uitlaatkant van een snede tot een minimum te beperken, is dit gereedschap voorzien van zaagsnedeplaten in het draaibaar voetstuk. De zaagsnedeplaten zijn in de fabriek zodanig afgesteld dat het zaagblad niet met de zaagsnedeplaten in aanraking komt. Stel de zaagsnedeplaten als volgt af alvorens de zaag in gebruik te nemen:

1. Zorg ervoor dat de accu is verwijderd. Draai daarna alle schroeven (2 aan de linkerzijde en 2 aan de rechterzijde) waarmee de zaagsnedeplaten zijn vastgemaakt los.

► **Fig.12:** 1. Zaagsnedeplaat 2. Schroef

2. Trek de schroeven weer aan in zulke mate dat de zaagsnedeplaten nog gemakkelijk met de hand kunnen worden bewogen.

3. Breng het handvat volledig omlaag en druk de aanslagpen naar binnen om het handvat in de onderste positie te vergrendelen.

4. Stel de positie van de zaagsnedeplaten af zodat deze net in aanraking komen met de zijkanalen van de zaagbladtanden.

► **Fig.13**

► **Fig.14:** 1. Zaagblad 2. Zaagbladtanden  
3. Zaagsnedeplaat 4. Linkse schuine snede  
5. Rechte snede

5. Haal de schroeven aan (niet te vast draaien).

6. Nadat de zaagsnedeplaten zijn afgesteld, ontgrendelt u de aanslagpen en brengt u het handvat omhoog. Trek vervolgens alle schroeven stevig aan.

**KENNISGEVING:** Zorg na het instellen van de schuine hoek ervoor dat de zaagsnedeplaten goed worden afgesteld. Een juiste afstelling van de zaagsnedeplaten bevordert een goede ondersteuning van het werkstuk en minimaliseert het splinteren van het werkstuk.

## Een maximale zaagdiepte behouden

Dit gereedschap is in de fabriek afgesteld om de maximale zaagdiepte te leveren met een zaagblad met een diameter van 165 mm.

Controleer bij het aanbrengen van een nieuw zaagblad altijd de onderste stand van het zaagblad en stel deze zo nodig als volgt af:

1. Verwijder de accu. Breng het handvat zo ver mogelijk omlaag.
2. Draai met behulp van de inbussleutel de stelbout voor de onderste stand tot het zaagblad iets lager komt dan het kruispunt van de geleider en het bovenoppervlak van het draaibare voetstuk.

► **Fig.15:** 1. Stelbout

► **Fig.16:** 1. Geleider

3. Houd het handvat helemaal omlaag gedrukt en draai het zaagblad met de hand rond om u ervan te verzekeren dat het zaagblad geen enkel onderdeel van het onderste voetstuk raakt. Stel opnieuw een beetje af, indien nodig.

**⚠ WAARSCHUWING:** Na het aanbrengen van een nieuw zaagblad controleert u, terwijl de accu is verwijderd, altijd dat het zaagblad geen enkel onderdeel van het voetstuk raakt wanneer de handvat zo ver mogelijk omlaag wordt gedrukt. Als het zaagblad het voetstuk raakt, kan dit een terugslag veroorzaken en leiden tot ernstig persoonlijk letsel.

► **Fig.17**

## Hulpgeleider

### Afhankelijk van het land

Dit gereedschap is voorzien van een hulpgeleider en kleine hulpgeleiders.

## Hulpgeleider

**⚠ WAARSCHUWING:** Bij het maken van een schuine zaagsnede, verwijdert u altijd de hulpgeleiders. Als u dat niet doet, kan dat leiden tot ernstig letsel.

► **Fig.18:** 1. Hulpgeleider

Bij het maken van een zaagsnede anders dan een schuine zaagsnede, gebruikt u de hulpgeleider om het werkstuk te steunen.

## Kleine hulpgeleider

**⚠ LET OP:** Bij het maken van een rechter schuine zaagsnede, klappt u de kleine hulpgeleiders omlaag. Anders zouden zij het zaagblad of een deel van het gereedschap kunnen raken, wat kan leiden tot ernstig letsel van de gebruiker.

► **Fig.19:** 1. Kleine hulpgeleider 2. Schaalverdeling

Bij het maken van een verticale zaagsnede of een linker schuine zaagsnede, zet u ze omhoog om het werkstuk te steunen. De geleider heeft een schaalverdeling met een stapgrootte van 10 mm.

## Afstellen van de verstekhoek

- **Fig.20:** 1. Vastzetschroef 2. Draaibaar voetstuk  
3. Verstekschaal 4. Wijzer

1. Draai de vastzetschroef linksom los.
2. Stel de hoek van het draaibaar voetstuk in.  
Gebruik de wijzer en de verstekhoekschaal als richtlijn.
3. Draai de vastzetschroef stevig rechtsom vast.

**⚠ LET OP:** Na het wijzigen van de verstekhoek, dient u het draaibaar voetstuk altijd vast te zetten door de vastzetschroef stevig vast te draaien.

**KENNISGEVING:** Voor het verdraaien van het draaibaar voetstuk dient u het handvat volledig omhoog te brengen.

## Afstellen van de schuine hoek

Om de schuine hoek in te stellen, draait u de hendel op de achterkant van het gereedschap omlaag.

- **Fig.21:** 1. Hendel

Om het zaagblad naar links te kantelen, houdt u het handvat vast en kantelt u de zaagkop. Gebruik de schuine-hoekschaal en de wijzer als richtlijn. Draai daarna de hendel weer stevig omhoog om de zaagkop te vergrendelen.

- **Fig.22:** 1. Wijzer 2. Schuine-hoekschaal

Om het zaagblad naar rechts te kantelen, houdt u het handvat vast en kantelt u de zaagkop iets naar links en drukt u op de ontgrendelknop. Houd de ontgrendelknop ingedrukt en kantel het zaagblad naar rechts. Draai de hendel weer stevig omhoog om de zaagkop te vergrendelen.

- **Fig.23:** 1. Ontgrendelknop

**⚠ LET OP:** Na het wijzigen van de schuine hoek, dient u altijd de zaagkop vast te zetten door de hendel stevig omhoog te draaien.

**KENNISGEVING:** Bij het kantelen van het zaagblad moet het handvat helemaal omhoog staan.

**KENNISGEVING:** Wanneer u de schuine hoek wijzigt, dient u de zaagsnedeplaten in de juiste positie te zetten zoals beschreven in "Afstellen van de zaagsnedeplaten".

## Schuine hoek van 46° instellen

1. Draai de hendel omlaag en kantel het zaagblad helemaal naar links of rechts.

- **Fig.24:** 1. Hendel

2. Om het zaagblad naar links te kantelen, houdt u het handvat vast en kantelt u de zaagkop iets naar rechts en duwt u de ontgrendelhendel in de richting van de pijl. De schuine hoek kan worden ingesteld tussen 45° en 46° door de zaagkop te kantelen terwijl u tegen de ontgrendelhendel duwt.

Om het zaagblad naar rechts te kantelen, houdt u het handvat vast en kantelt u de zaagkop iets naar links en duwt u de ontgrendelhendel in de richting van de pijl. De schuine hoek kan worden ingesteld tussen 45° en 46° door de zaagkop te kantelen terwijl u tegen de ontgrendelhendel duwt.

- **Fig.25:** 1. Hendel 2. Ontgrendelhendel

3. Draai de hendel weer stevig omhoog om de zaagkop te vergrendelen.

## Afstellen van de hendelpositie

Als na verloop van tijd de hendel niet meer voldoende kan vastdraaien, verandert u de positie van de hendel. De hendel kan elke 30° opnieuw in positie worden gebracht.

Draai de schroef los waarmee de hendel is bevestigd. Verwijder de hendel en breng hem opnieuw aan zodat hij iets hoger dan horizontaal staat. Bevestig de hendel stevig met de schroef.

- **Fig.26:** 1. Hendel 2. Schroef

## Werking van de schakelaar

**⚠ WAARSCHUWING:** Controleer altijd, voordat u de accu op het gereedschap aanbrengt, of de trekschakelaar op de juiste manier schakelt en weer terugkeert naar de uit-stand nadat deze is losgelaten. Het gereedschap gebruiken zonder dat de trekschakelaar goed werkt, kan leiden tot verlies van controle en ernstig persoonlijk letsel.

**⚠ WAARSCHUWING:** Gebruik het gereedschap NOOIT met een defecte trekschakelaar. Ieder gereedschap met een defecte trekschakelaar is UITERST GEVAARLIJK en moet worden gerepareerd voordat het gereedschap wordt gebruikt of ernstig persoonlijk letsel wordt veroorzaakt.

**⚠ WAARSCHUWING:** Voor uw veiligheid is dit gereedschap voorzien van een uit-vergrendelknop die ongewild starten van het gereedschap voorkomt. **Gebruik het gereedschap NOOIT indien het gaat draaien wanneer u gewoon de trekschakelaar indrukt zonder de uit-vergrendelknop in te drukken.** Een trekschakelaar die moet worden gerepareerd kan leiden tot onbedoelde bediening en ernstig persoonlijk letsel. Breng het gereedschap naar een Makita-servicecentrum voor reparatie ALVORENS het verder te gebruiken.

**⚠ WAARSCHUWING:** NOOIT de uit-vergrendelknop vastplakken of op een andere manier buiten werking stellen. Een trekschakelaar met een buiten werking gestelde uit-vergrendelknop kan leiden tot onbedoelde bediening en ernstig persoonlijk letsel.

**KENNISGEVING:** Druk de trekschakelaar niet hard in zonder dat de uit-vergrendelknop is ingedrukt. Hierdoor kan de schakelaar kapot gaan.

Een uit-vergrendelknop is aanwezig om te voorkomen dat de trekkerschakelaar per ongeluk wordt ingedrukt. Om het gereedschap te starten, drukt u de uit-vergrendelknop in en drukt u vervolgens de trekkerschakelaar in. Laat de trekkerschakelaar los om het gereedschap te stoppen.

- **Fig.27:** 1. Uit-vergrendelknop 2. Gat voor hangslot  
3. Trekkerschakelaar

## De lamp inschakelen

**⚠ LET OP:** De lamp is niet waterdicht. Was de lamp niet met water en gebruik het gereedschap niet in de regen of op een vochtige plaats. Als u dat toch doet, kunnen elektrische schokken en rook ontstaan.

**⚠ LET OP:** Raak de lens van de lamp niet aan aangezien deze zeer heet is wanneer de lamp brandt en kort na het uitschakelen. Hierdoor kunnen mensen brandwonden oplopen.

**⚠ LET OP:** Stoot niet tegen de lamp omdat deze hierdoor kan worden beschadigd of de levensduur ervan kan worden verkort.

**⚠ LET OP:** Kijk niet langdurig in het licht van de lamp. Hierdoor kunt u pijnlijke ogen krijgen.

**⚠ LET OP:** Dek de lamp niet af met kleding, karton en dergelijke materialen terwijl de lamp brandt omdat de materialen kunnen worden ontstoken en in brand raken.

**⚠ LET OP:** Kijk niet direct in het lamplicht of in de lichtbron.

Om de lamp in te schakelen, drukt u op het bovenste deel (1) van de schakelaar. Om de lamp uit te schakelen, drukt u op het onderste deel (0) van de schakelaar.

► Fig.28: 1. Lamp 2. Lampschakelaar

**OPMERKING:** Gebruik een droge doek om vuil van de lens van de lamp af te vegen. Wees voorzichtig dat u de lens van de lamp niet bekrast omdat dan de verlichting minder wordt.

**OPMERKING:** Vergeet niet de schakelaar uit te schakelen omdat een ingeschakelde schakelaar acculading verbruikt.

## Laserstraalfunctie

**⚠ LET OP:** Kijk nooit in de laserstraal. De rechtstreekse laserstraal kan uw ogen beschadigen.

Om de laserstraal in te schakelen, drukt u op het bovenste deel (1) van de schakelaar. Om de laserstraal uit te schakelen, drukt u op het onderste deel (0) van de schakelaar.

► Fig.29: 1. Laserschakelaar

**OPMERKING:** Vergeet niet de schakelaar uit te schakelen omdat een ingeschakelde schakelaar acculading verbruikt.

De laserlijn kan worden verschoven naar de linker- of rechterkant van het cirkelzaagblad door de stelschroef als volgt te draaien.

► Fig.30: 1. Stelschroef

1. Draai de stelschroef los door hem linksom te draaien.
2. Schuif, met losgedraaide stelschroef, de stelschroef zo ver mogelijk naar links of rechts.
3. Draai de stelschroef stevig vast in de stand waar het schuiven stopt.

**OPMERKING:** De laserlijn is in de fabriek zodanig afgesteld dat deze binnen 1 mm van de zijkant van het cirkelzaagblad (in de zaagstand) loopt.

**OPMERKING:** Wanneer de laserlijn vaag lijkt en moeilijk zichtbaar is vanwege rechtstreeks zonlicht, verplaatst u het werkgebied naar een plaats met minder rechtstreeks zonlicht.

## De laserlijn uitlijnen

Lijn de zaaglijn op uw werkstuk uit met de laserlijn.

► Fig.31

A) Wanneer u de juiste maat aan de linkerkant van het werkstuk wilt krijgen, verplaatst u de laserlijn naar de linkerkant van het cirkelzaagblad.

B) Wanneer u de juiste maat aan de rechterkant van het werkstuk wilt krijgen, verplaatst u de laserlijn naar de rechterkant van het cirkelzaagblad.

## MONTAGE

**⚠ WAARSCHUWING:** Controleer altijd of het gereedschap is uitgeschakeld en de accu ervan is verwijderd voordat u aan het gereedschap gaat werken. Als u het gereedschap niet uitschakelt en de accu niet verwijderd, kan dat leiden tot ernstig persoonlijk letsel.

## Opbergplaats van inbussleutel

De inbussleutel wordt bewaard op de plaats aangegeven in de afbeelding. Als u de inbussleutel nodig hebt, trekt u deze uit de sleutelhouder.

Na gebruik van de inbussleutel, plaatst u deze terug in de sleutelhouder.

► Fig.32: 1. Sleutelhouder 2. Inbussleutel

## Het zaagblad aanbrengen en verwijderen

**⚠ WAARSCHUWING:** Zorg er altijd voor dat het gereedschap is uitgeschakeld en de accu is verwijderd, voordat u het zaagblad aanbrengt of verwijdert. Als het gereedschap per ongeluk start, kan dat leiden tot ernstig persoonlijk letsel.

**⚠ LET OP:** Gebruik voor het aanbrengen of verwijderen van het zaagblad uitsluitend de bijgeleverde Makita-inbussleutel. Doet u dit niet, dan kan de inbusbout te vast of te los worden aangedraaid. Dit kan leiden tot persoonlijk letsel.

Om het zaagblad te verwijderen, voert u de volgende stappen uit:

1. Zet de aanslagpen vrij en vergrendel daarna het handvat in de hoogste positie door de aanslagpen in te drukken.

► Fig.33: 1. Aanslagpen

2. Gebruik de inbussleutel om de inbusbout, die de middenkap op haar plaats houdt, linksom los te draaien. Breng daarna de beschermkap en de middenkap omhoog.

► Fig.34: 1. Middenkap 2. Inbusbout 3. Inbussleutel 4. Beschermkap

3. Druk de asblokkering in om de as te vergrendelen en draai met de inbussleutel de inbusbout rechtsom los. Verwijder vervolgens de inbusbout van de as, de buitenflens en het zaagblad.

► **Fig.35:** 1. Asblokkering 2. Inbusbout 3. Buitenflens

4. Als de binnenflens verwijderd is, brengt u deze aan op de as met het zaagblad-bevestigingsdeel naar het zaagblad gericht. Als de binnenflens verkeerd wordt aangebracht, zal de flens tegen het gereedschap aanlopen.

► **Fig.36:** 1. Buitenflens 2. Zaagblad 3. Binnenflens  
4. Inbusbout (linkse schroefdraad) 5. As  
6. Zaagblad-bevestigingsdeel

Om het zaagblad aan te brengen, voert u de volgende stappen uit:

1. Breng het zaagblad zorgvuldig aan op de binnenflens. Zorg ervoor dat de richting van de pijl op het zaagblad overeenkomt met de richting van de pijl op de zaagbladkast.

► **Fig.37:** 1. Zaagblad 2. Pijl

2. Monteer de buitenflens en de inbusbout, en draai daarna met de inbussleutel de inbusbout (linkse schroefdraad) van de as stevig linksom vast terwijl u de asblokkering ingedrukt houdt.

3. Breng de beschermkap en de middenkap terug naar hun oorspronkelijke positie. Draai daarna de inbusbout rechtsom vast om de middenkap vast te zetten.

4. Trek de aanslagpen naar buiten om de bovenste positie van het handvat te ontgrendelen. Breng het handvat omlaag om te controleren of de beschermkap goed beweegt.

5. Controleer voordat u begint te zagen of de asvergrendeling de as niet langer vergrendelt.

## Voor gereedschap met een binnenflens voor een zaagblad met een middengatdiameter van 15,88 mm

### Afhankelijk van het land

Breng de binnenflens op de montageas aan met zijn verzonken zijde naar buiten gericht, en breng daarna het zaagblad (zo nodig met de ring bevestigd), de buitenflens en de inbusbout aan.

### Voor gereedschap zonder de ring

► **Fig.38:** 1. Buitenflens 2. Zaagblad 3. Binnenflens  
4. Inbusbout (linkse schroefdraad) 5. As

### Voor gereedschap met de ring

► **Fig.39:** 1. Buitenflens 2. Zaagblad 3. Binnenflens  
4. Inbusbout (linkse schroefdraad) 5. Ring  
6. As

**WAARSCHUWING:** Als de ring nodig is om het zaagblad op de montageas aan te kunnen brengen, zorgt u er altijd voor dat de correcte ring voor het middengat van het te gebruiken zaagblad wordt aangebracht tussen de binnenflens en de buitenflens. Als de verkeerde middengatring wordt gebruikt, wordt het zaagblad mogelijk niet goed aangebracht, waardoor het zaagblad kan bewegen en sterke trillingen worden veroorzaakt met als gevolg dat u tijdens het gebruik de controle over het gereedschap kunt verliezen en ernstig persoonlijk letsel wordt veroorzaakt.

## Voor gereedschap met een binnenflens voor een zaagblad met een andere middengatdiameter dan 20 mm of 15,88 mm

### Afhankelijk van het land

De binnenflens heeft een zaagblad-bevestigingsdeel met een bepaalde diameter aan de ene kant, en aan de andere kant een zaagblad-bevestigingsdeel met een andere diameter. Kies de juiste kant van het zaagblad waarvan het zaagblad-bevestigingsdeel exact past in het middengat van het zaagblad.

► **Fig.40:** 1. Buitenflens 2. Zaagblad 3. Binnenflens  
4. Inbusbout (linkse schroefdraad) 5. As  
6. Zaagblad-bevestigingsdeel

**WALET OP:** Zorg ervoor dat het zaagblad-bevestigingsdeel "a" op de binnenflens dat naar buiten is gericht, perfect past in het middengat "a" van het zaagblad. Als u het zaagblad op de verkeerde kant van de binnenflens aanbrengt, kunnen gevaarlijke trillingen het gevolg zijn.

## Stofzak

Door de stofzak te gebruiken werkt u schoner en kan het zaagsel eenvoudiger worden opgeruimd.

Om de stofzak te bevestigen, monteert u hem op het mondstuk.

Wanneer de stofzak ongeveer halfvol is, maakt u hem los van het gereedschap en trekt u de sluitstrip eruit. Maak de stofzak leeg en tik er zachtjes op voor het verwijderen van achtergebleven stofdeeltjes die verdere stofopvangning zouden kunnen belemmeren.

► **Fig.41:** 1. Stofzak 2. Mondstuk 3. Sluitstrip

**OPMERKING:** U kunt schoner werken door een stofzuiger op de zaag aan te sluiten.

► **Fig.42**

## Werkstuk vastklemmen

**WAARSCHUWING:** Het is uiterst belangrijk om het werkstuk altijd goed vast te klemmen in de spanschroef. Als u dat niet doet, kan dat leiden tot ernstig persoonlijk letsel en schade aan het gereedschap en/of het werkstuk.

**WAARSCHUWING:** Wanneer u een werkstuk zaagt dat langer is dan het voetstuk van de zaag, moet het werkstuk worden ondersteund over zijn volledige lengte buiten het voetstuk, en op dezelfde hoogte zodat het werkstuk horizontaal blijft. Een goede ondersteuning van het werkstuk helpt voorkomen dat het zaagblad vastloopt en een mogelijke terugslag optreedt die kan leiden tot ernstig persoonlijk letsel. Vertrouw niet alleen op de verticale en/of horizontale spanschroef om het werkstuk op zijn plaats te houden. Dun materiaal hangt gemakkelijk door. Ondersteun het werkstuk over zijn hele lengte om vastklemmen van het zaagblad en mogelijke TERUGSLAG te voorkomen.

► **Fig.43:** 1. Steun 2. Draaibaar voetstuk

## Verticale spanschroef

**⚠ WAARSCHUWING:** Tijdens alle bedieningen moet het werkstuk door de spanschroef stevig tegen het draaibaar voetstuk en de geleider worden gedrukt. Anders kan het materiaal tijdens het zagen bewegen, het zaagblad beschadigen en worden weggeslingerd, waardoor u de controle over het gereedschap kunt verliezen en ernstig persoonlijk letsel kan worden veroorzaakt.

Plaats de verticale spanschroef aan de linkerzijde of rechterzijde van de geleider. Steek de spanschroefstang in het gat in de geleider en draai de onderste schroef vast om de spanschroefstang vast te zetten.

- **Fig.44:** 1. Spanschroefarm 2. Spanschroefknop  
3. Geleider 4. Draaibaar voetstuk  
5. Onderste schroef 6. Bovenste schroef  
7. Spanschroefstang

Zet de arm van de spanschroef in de positie die geschikt is voor de dikte en vorm van het werkstuk, en zet de arm vast door de bovenste schroef vast te draaien. Indien de bovenste schroef van de arm in aanraking komt met de geleider, moet u de bovenste schroef op de tegenovergestelde kant van de spanschroefarm aanbrengen. Controleer of geen enkel deel van het gereedschap in aanraking komt met de spanschroef wanneer het handvat volledig omlaag wordt gebracht. Als enig deel de spanschroef raakt, moet u de positie van de spanschroef veranderen.

Druk het werkstuk vlak tegen de geleider en het draaibaar voetstuk. Plaats het werkstuk in de gewenste zaagpositie en zet het stevig vast door de spanschroefknop vast te draaien.

## De schouderriem bevestigen

### Optioneel accessoire

**⚠ LET OP:** Vergeet niet de schouderriem van het gereedschap af te halen alvorens het gereedschap te gebruiken. De schouderriem kan verstrikt raken in het gereedschap en letsel veroorzaken.

**⚠ LET OP:** Verzeker u ervan dat de haken van de schouderriem goed aan het gereedschap zijn bevestigd. Als de haken niet goed zijn bevestigd, kunnen ze losraken en kan letsel ontstaan.

De schouderriem is handig bij het vervoeren van het gereedschap. Bevestig de haken van de schouderriem aan het gereedschap zoals aangegeven in de afbeelding.

- **Fig.45:** 1. Schouderriem 2. Haak

## BEDIENING

Dit gereedschap is bedoeld voor het zagen van houtproducten. Met geschikte, originele Makita-zaagbladen kunnen ook de volgende materialen worden gezaagd:

— Aluminiumproducten

Raadpleeg onze website of neem contact op met uw plaatselijke Makita-dealer voor de correcte cirkelzaagbladen die moeten worden gebruikt voor het te zagen materiaal.

**⚠ WAARSCHUWING:** Zorg ervoor dat het zaagblad niet in aanraking is met het werkstuk e.d. voordat u de trekschakelaar indrukt. Wanneer u het gereedschap inschakelt terwijl het zaagblad reeds het werkstuk aanraakt, kan dat leiden tot een terugslag en ernstig persoonlijk letsel.

**⚠ WAARSCHUWING:** Nadat u klaar bent met zagen mag u het handvat pas omhoog brengen nadat het zaagblad volledig tot stilstand is gekomen. Als u het handvat omhoog brengt terwijl het zaagblad nog ronddraait, kan dat leiden tot ernstig persoonlijk letsel en schade aan het werkstuk.

**⚠ LET OP:** Laat de zaagkop niet ongecontroleerd los vanuit de laagste stand. De ongecontroleerde zaagkop kan tegen u aan komen waardoor persoonlijk letsel zal ontstaan.

**KENNISGEVING:** Voordat u het gereedschap inschakelt, dient u het handvat uit zijn onderste positie te halen door de aanslagpen naar buiten te trekken.

**KENNISGEVING:** Oefen tijdens het zagen geen overmatige druk op het handvat uit. Wanneer u te hard drukt, kan de motor overbelast raken en/of de zaagefficiëntie afnemen. Druk alleen zo hard als nodig is voor soepel zagen zonder dat het toerental van het zaagblad aanzienlijk vermindert.

**KENNISGEVING:** Druk het handvat zachtjes naar beneden om te zagen. Als u het handvat met kracht omlaag drukt of zijwaartse druk erop uitoefent, kan het zaagblad gaan trillen en een vlek (brandplek) op het werkstuk achterlaten, en kan ook de zaagsnede minder nauwkeurig zijn.

## Rechtzagen (zagen van kleine werkstukken)

### ► Fig.46

Werkstukken tot 46 mm hoog en 92 mm breed kunnen op de volgende manier worden gezaagd:

1. Klem het werkstuk vast in de spanschroef.
2. Schakel het gereedschap in zonder dat het zaagblad met het werkstuk in contact is, en wacht totdat het zaagblad op maximaal toerental draait.
3. Breng het handvat langzaam omlaag naar de laagste positie om het werkstuk te zagen.
4. Nadat de zaagsnede klaar is, schakelt u het gereedschap uit en wacht u tot het zaagblad volledig tot stilstand is gekomen voordat u het zaagblad omhoog brengt tot in de hoogste positie.



## Verstekzagen

Raadpleeg het tekstdeel over het afstellen van de verstekhoek.

## Schuin zagen

**⚠WAARSCHUWING:** Nadat het zaagblad is ingesteld op een schuine zaagsnede, controleert u voordat u begint te zagen of de zaagkop en het zaagblad vrij kunnen bewegen over de hele lengte van de te maken zaagsnede. Wanneer de beweging van de zaagkop of het zaagblad tijdens het zagen wordt onderbroken, kan een terugslag worden veroorzaakt die kan leiden tot ernstig persoonlijk letsel.

**⚠WAARSCHUWING:** Houd bij het maken van een schuine snede uw handen uit de buurt van het pad van het zaagblad. De hoek van het zaagblad kan verwarrend werken op de gebruiker met betrekking tot het werkelijke zaagpad dat tijdens het zagen beschreven wordt, en aanraking van het zaagblad zal leiden tot ernstig persoonlijk letsel.

**⚠WAARSCHUWING:** Het zaagblad mag niet omhoog gebracht worden voordat het volledig tot stilstand is gekomen. Tijdens het zagen van een schuine snede kan het afgezaagde deel van het werkstuk tegen het zaagblad aanliggen. Als het zaagblad omhoog wordt gebracht terwijl het nog ronddraait, kan het afgezaagde deel door het zaagblad weggeslingerd worden waardoor het uiteenvalt en ernstig persoonlijk letsel kan veroorzaken.

**⚠WAARSCHUWING:** Bij het maken van een schuine zaagsnede, verwijdert u altijd de hulpgeleiders. Als u dat niet doet, kan dat leiden tot ernstig letsel.

### ► Fig.47

1. Draai de hendel los en zet het zaagblad schuin om de schuine hoek in te stellen (zie "Instellen van de schuine hoek" hierboven). Draai daarna de hendel weer stevig vast om de gekozen schuine hoek goed vast te houden.
2. Zet het werkstuk vast met een spanschroef.
3. Schakel het gereedschap in zonder dat het zaagblad met het werkstuk in contact is en wacht totdat het zaagblad op maximaal toerental draait.
4. Breng het handvat voorzichtig zo ver mogelijk omlaag en oefen druk uit parallel aan het zaagblad om het werkstuk te zagen.
5. Nadat de zaagsnede klaar is, schakelt u het gereedschap uit en wacht u tot het zaagblad volledig tot stilstand is gekomen voordat u het zaagblad omhoog brengt tot in de hoogste positie.

**KENNISGEVING:** Wanneer u het handvat omlaag drukt, dient u druk uit te oefenen evenwijdig met het zaagblad. Indien u verticale druk op het draaibaar voetstuk uitoefent of de drukrichting tijdens het zagen verandert, zal de zaagsnede minder nauwkeurig zijn.

## Gecombineerd zagen

Gecombineerd zagen betekent dat het werkstuk tegelijk met een schuine hoek en een verstekhoek wordt gezaagd. Gecombineerd zagen is mogelijk voor de hoeken aangegeven in de onderstaande tabel.

Verstekhoek	Schuine hoek
Links en rechts 45°	Links en rechts 0° - 45°
Rechts 52°	Links 20° - Rechts 45°
Links 52°	Links 45° - Rechts 20°

Als u gecombineerd verstekzagen wilt uitvoeren, raadpleegt u de beschrijvingen onder "Rechtzagen", "Verstekzagen" en "Schuin zagen".

## Aluminiumprofielen zagen

► **Fig.48:** 1. Spanschroef 2. Vulblok 3. Geleider 4. Aluminiumprofiel 5. Vulblok

Als u een aluminiumprofiel wilt vastklemmen in de spanschroef, maakt u gebruik van vulblokken of stukken afvalhout, zoals aangegeven in de afbeelding, om te voorkomen dat het aluminiumprofiel vervormt. Gebruik snijolie als smeermiddel bij het zagen van een aluminiumprofiel om te voorkomen dat aluminiumslijpsel zich op het zaagblad ophoopt.

**⚠LET OP:** Probeer nooit dikke aluminiumprofielen of ronde aluminiumpijpen te zagen. Dikke aluminiumprofielen kunnen losschieten tijdens het zagen en ronde aluminiumprofielen kunnen niet stevig worden vastgeklemd in dit gereedschap.

## Steeds dezelfde lengte afzagen

Als u meerdere werkstukken op dezelfde lengte wilt afzagen, van 200 mm tot 330 mm, gebruikt u de aanzetplaat (optioneel accessoire). Monteer de aanzetplaat op de steunstang (optioneel accessoire) zoals afgebeeld.

► **Fig.49:** 1. Aanzetplaat 2. Steunstangen 3. Schroef

Breng de zaaglijn op uw werkstuk op één lijn met de linkerzijde of de rechterzijde van de groef in de zaagsnedeplaat. Houd het werkstuk vast zodat het niet kan bewegen, en plaats de aanzetplaat vlak tegen het einde van het werkstuk. Zet daarna de aanzetplaat vast met de schroef.

Wanneer u de aanzetplaat niet gebruikt, draait u de schroef los en draait u de aanzetplaat uit de weg.

## Het gereedschap dragen

**⚠WAARSCHUWING:** De aanslagpen is uitsluitend bedoeld te worden gebruikt tijdens het dragen en bewaren van het gereedschap, en mag nooit worden gebruikt tijdens het zagen. Het gebruik van de aanslagpen tijdens het zagen kan leiden tot onverwachte bewegingen van het zaagblad, wat kan leiden tot een terugslag en ernstig persoonlijk letsel.

**⚠LET OP:** Zet alle bewegende onderdelen vast alvorens het gereedschap te dragen. Als tijdens het dragen onderdelen van het gereedschap bewegen, kunt u uw balans of de controle over het gereedschap verliezen, wat kan leiden tot persoonlijk letsel.



1. Verwijder de accu.
2. Zet het zaagblad vast op een schuine hoek van 0° en het draaibaar voetstuk op de maximale verstekhoek naar rechts.  
► **Fig.50:** 1. Draaibaar voetstuk
3. Breng het handvat volledig omlaag en vergrendel het in de laagste positie door de aanslagpen in te drukken.
4. Draag het gereedschap aan het handvat.  
► **Fig.51**

## ONDERHOUD

**⚠WAARSCHUWING:** Zorg altijd dat het zaagblad scherp en schoon is om optimale en veilige prestaties te krijgen. Als u probeert te zagen met een bot en/of vuil zaagblad, kan een terugslag optreden die kan leiden tot ernstig persoonlijk letsel.

**⚠LET OP:** Zorg altijd dat het gereedschap is uitgeschakeld en de accu ervan is verwijderd alvorens te beginnen met onderhoud of inspectie.

**KENNISGEVING:** Gebruik nooit benzine, wasbenzine, thinner, alcohol en dergelijke. Hierdoor kunnen verkleuring, vervormingen en barsten worden veroorzaakt.

Om de VEILIGHEID en BETROUWBAARHEID van het gereedschap te handhaven, dienen alle reparaties, onderhoud of afstellingen te worden uitgevoerd bij een erkend Makita-servicecentrum of de Makita-fabriek, en altijd met gebruik van Makita-ervangingsonderdelen.

## Afstellen van de zaaghoek

Dit gereedschap werd in de fabriek nauwkeurig afgesteld en uitgelijnd, maar door ruwe behandeling kan de uitlijning ervan verslechterd zijn. Doe het volgende indien uw gereedschap niet meer juist is uitgelijnd:

### Verstekhoek

1. Draai de vastzetschroef linksom los.
2. Draai het draaibaar voetstuk tot de wijzer 0° aanwijst op de verstekschaal.  
► **Fig.52:** 1. Vastzetschroef 2. Draaibaar voetstuk 3. Verstekhoekschaal 4. Wijzer
3. Draai het draaibaar voetstuk een beetje naar rechts en naar links zodat hij in de inkeping voor 0° verstek komt te zitten. (Laat het draaibaar voetstuk staan zoals hij dan staat, ook als de wijzer niet 0° aanwijst.)
4. Draai de inbusbouten waarmee de geleider is bevestigd los met behulp van de inbusleutel.  
► **Fig.53:** 1. Geleider 2. Inbusbout  
► **Fig.54:** 1. Geleider 2. Inbusbout
5. Breng het handvat volledig omlaag en vergrendel het in de laagste positie door de aanslagpen in te drukken.

6. Stel de geleider af tot deze haaks staat ten opzichte van het zaagblad met behulp van een geodriehoek, winkelhaak, enz. Draai vervolgens de inbusbout van de geleider vast.  
► **Fig.55:** 1. Geleider 2. Geodriehoek 3. Zaagblad
7. Zorg ervoor dat de wijzer 0° aanwijst op de verstekschaal. Indien de wijzer niet 0° aanwijst, draait u de bevestigingsschroef van de wijzer los en stelt u de wijzer juist in zodat hij 0° aanwijst.  
► **Fig.56:** 1. Schroef 2. Verstekschaal 3. Wijzer

## Schuine hoek

### Schuine hoek van 0°

1. Breng het handvat volledig omlaag en vergrendel het in de laagste positie door de aanslagpen in te drukken.
2. Draai de hendel op de achterkant van het gereedschap los.
3. Draai de stelbout voor een schuine hoek van 0° aan de rechterzijde van de zaagkop twee of drie slagen linksom om het zaagblad naar rechts te kantelen.  
► **Fig.57:** 1. Stelbout 2. Hendel
4. Draai de stelbout voor een schuine hoek van 0° voorzichtig rechtsom tot de zijkant van het zaagblad haaks staat ten opzichte van het bovenoppervlak van het draaibare voetstuk. Gebruik een geodriehoek, winkelhaak, enz., als hulpmiddel. Draai daarna de hendel stevig vast.  
► **Fig.58:** 1. Geodriehoek 2. Zaagblad 3. Bovenoppervlak van draaibaar voetstuk

5. Zorg ervoor dat de wijzer op de arm 0° aanwijst op de schuine-hoekschaal. Als hij niet 0° aanwijst, draait u de bevestigingsschroef van de wijzer los en stelt u de wijzer juist in zodat hij 0° aanwijst.  
► **Fig.59:** 1. Schroef 2. Wijzer 3. Schuine-hoekschaal

### Schuine hoek van 45°

Stel de schuine hoek van 45° pas in nadat de schuine hoek van 0° is ingesteld.

1. Draai de hendel los en kantel het zaagblad helemaal naar links.
2. Zorg ervoor dat de wijzer op de arm 45° aanwijst op de schuine-hoekschaal. Als de wijzer niet 45° aanwijst, draait u de stelbout voor een linker schuine hoek van 45° aan de rechterzijde van de arm totdat de wijzer 45° aanwijst.  
► **Fig.60:** 1. Stelbout voor rechter schuine hoek van 45° 2. Wijzer 3. Stelbout voor linker schuine hoek van 45°
3. Kantel het zaagblad zo ver mogelijk naar rechts en stel daarna de rechter schuine hoek van 45° in met behulp van de stelbout voor een rechter schuine hoek van 45°.  
► **Fig.61:** 1. Zaagblad 2. Geodriehoek

## De positie van de laserlijn afstellen

**⚠ WAARSCHUWING:** De accu moet op het gereedschap zijn aangebracht tijdens het afstellen van de laserlijn. Wees extra voorzichtig het gereedschap niet in te schakelen tijdens het afstellen. Als het gereedschap per ongeluk start, kan dat leiden tot ernstig persoonlijk letsel.

**⚠ LET OP:** Kijk nooit rechtstreeks in de laserstraal. Rechtstreekse blootstelling van uw ogen aan de straal kan uw ogen ernstig beschadigen.

**KENNISGEVING:** Controleer de positie van de laserlijn regelmatig op nauwkeurigheid.

**KENNISGEVING:** Oefen geen schokken uit op het gereedschap. Hierdoor kan de uitlijning van de laserlijn verspringen of kan de laser beschadigd raken, waardoor de levensduur wordt verkort.

**KENNISGEVING:** Laat het gereedschap repareren door een erkend Makita-servicecentrum in geval van een storing van de lasereenheid.

Het verplaatsbare bereik van de laserlijn wordt bepaald door de bereikafstelschroeven aan beide kanten. Voer de volgende procedures uit om de positie van de laserlijn te veranderen.

1. Verwijder de accu.
2. Teken een zaaglijn op het werkstuk en plaats het op het draaibare voetstuk. Zet op dit moment het werkstuk niet vast met een spanschroef of soortgelijke vastzetinrichting.
3. Breng het handvat omlaag en lijn de zaaglijn uit met het zaagblad.  
► Fig.62: 1. Zaaglijn
4. Breng het handvat terug naar zijn oorspronkelijke stand en zet het werkstuk vast met behulp van de verticale spanschroef zodat het werkstuk niet kan verschuiven uit de stand die u hebt bepaald.  
► Fig.63: 1. Spanschroef
5. Breng de accu aan op het gereedschap en zet de laserschakelaar aan.
6. Draai de stelschroef los. Om de laserlijn verder van het zaagblad af te bewegen, draait u de bereikafstelschroef linksom. Om de laserlijn dichter naar het zaagblad toe te bewegen, draait u de bereikafstelschroef rechtsom.

**De laserlijn afstellen aan de linkerkant van het zaagblad**

- Fig.64: 1. Stelschroef 2. Bereikafstelschroef  
3. Inbussleutel 4. Laserlijn 5. Zaagblad

**De laserlijn afstellen aan de rechterkant van het zaagblad**

- Fig.65: 1. Bereikafstelschroef 2. Inbussleutel  
3. Laserlijn 4. Zaagblad

7. Schuif de stelschroef naar de stand waarin de laserlijn samenvalt met de zaaglijn, en draai hem daarna vast.

**OPMERKING:** Het bereik waarover de laserlijn kan worden verplaatst is in de fabriek ingesteld binnen 1 mm vanaf de zijkant van het zaagblad.

## De lens van de laser schoonmaken

Het laserlicht is moeilijk zichtbaar wanneer de lens van de laser vuil is geworden. Maak de lens van de laser regelmatig schoon.

Verwijder de accu. Draai de schroef los en trek de lens eruit. Reinig de lens voorzichtig met een vochtige, zachte doek.

► Fig.66: 1. Schroef

► Fig.67: 1. Lens

**KENNISGEVING:** Verwijder de schroef waarmee de lens is bevestigd niet. Als de lens niet eruit komt, draait u de schroef verder los.

**KENNISGEVING:** Gebruik geen oplosmiddelen of op petroleum gebaseerde schoonmaakmiddelen op de lens.

## Na het gebruik

Veeg na gebruik alle zaagsel en stof op het gereedschap eraf met een doek of iets dergelijks. Houd de beschermkap schoon volgens de instructies die in de paragraaf "Beschermkap" werden beschreven. Smeer de schuivende delen in met machineolie om roestvorming te voorkomen.

## OPTIONELE ACCESSOIRES

**⚠ WAARSCHUWING:** Deze Makita-accessoires of hulpstukken worden aanbevolen voor gebruik met het Makita-gereedschap dat in deze gebruiksaanwijzing is beschreven. Het gebruik van enige andere accessoires of hulpstukken kan leiden tot ernstig persoonlijk letsel.

**⚠ WAARSCHUWING:** Gebruik de Makita-accessoires of -hulpstukken uitsluitend voor de aangegeven gebruiksdoeleinden. Misbruik van een accessoire of hulpstuk kan leiden tot ernstig persoonlijk letsel.

Wenst u meer bijzonderheden over deze accessoires, neem dan contact op met het plaatselijke Makita-servicecentrum.

- Hardmetalen zaagbladen
- Steunstangen en steunstanghouder
- Aanzetplaat
- Schouderriem
- Originele Makita accu's en acculaders

**OPMERKING:** Sommige items op de lijst kunnen zijn inbegrepen in de doos van het gereedschap als standaard toebehoren. Deze kunnen van land tot land verschillen.

# ESPECIFICACIONES

Modelo:	<b>DL5600</b>
Diámetro del disco	165 mm
Diámetro del agujero (eje)	20 mm
Ángulo de inglete máximo	Izquierdo 52°, Derecho 52°
Ángulo de bisel máximo	Izquierdo 45° (46° cuando se utiliza la palanca de liberación), Derecho 45° (46° cuando se utiliza la palanca de liberación)
Velocidad en vacío	5.000 min <sup>-1</sup>
Tipo de láser	Láser rojo 650 nm, Potencia máxima < 1,6 mW (Clase de láser 2M)
Dimensiones (La x An x Al)	340 mm x 400 mm x 440 mm
Tensión nominal	CC 18 V
Peso neto	6,3 - 6,6 kg

## Capacidades de corte máximas (Al x An) con disco de 165 mm

Ángulo de inglete	Ángulo de bisel		
	45° (izquierdo)	0°	45° (derecho)
0°	30 mm x 92 mm	46 mm x 92 mm	15 mm x 92 mm
45° (izquierdo y derecho)	30 mm x 65 mm	46 mm x 65 mm	15 mm x 65 mm

- Debido a nuestro continuado programa de investigación y desarrollo, las especificaciones aquí dadas están sujetas a cambios sin previo aviso.
- Las especificaciones y el cartucho de batería pueden diferir de país a país.
- El peso puede variar dependiendo del accesorio(s), incluyendo el cartucho de batería. La combinación menos pesada y la más pesada, de acuerdo con el procedimiento EPTA 01/2014, se muestran en la tabla.

## Cartucho de batería y cargador aplicables





Cartucho de batería	BL1815N / BL1820B / BL1830B / BL1840B / BL1850B / BL1860B
Cargador	DC18RC / DC18RD / DC18RE / DC18SD / DC18SE / DC18SF / DC18SH

- Algunos de los cartuchos de batería y cargadores indicados arriba puede que no estén disponibles dependiendo de su región de residencia.

**⚠ ADVERTENCIA:** Utilice solamente los cartuchos de batería y cargadores listados arriba. La utilización de cualquier otro cartucho de batería y cargador puede ocasionar heridas y/o un incendio.

## Símbolos

A continuación se muestran los símbolos que pueden ser utilizados para el equipo. Asegúrese de que entienda su significado antes de utilizar.

	Lea el manual de instrucciones.
	Póngase gafas de seguridad.
	Para evitar heridas causadas por restos que salen volando, siga sujetando el cabezal de la sierra en posición bajada, después de hacer cortes, hasta que el disco se haya parado completamente.
	No ponga la mano o los dedos cerca del disco.



No mire nunca al haz de láser. El haz de láser directo puede herir sus ojos.



Sólo para países de la Unión Europea  
Debido a la presencia de componentes peligrosos en el equipo, el equipo eléctrico y electrónico, los acumuladores y las baterías desechados pueden tener un impacto negativo para el medioambiente y la salud humana. ¡No tire los aparatos eléctricos y electrónicos ni las baterías junto con los residuos domésticos! De conformidad con las Directivas Europeas sobre residuos de aparatos eléctricos y electrónicos y sobre acumuladores y baterías y residuos de acumuladores y baterías, así como la adaptación de las mismas a la ley nacional, el equipo eléctrico, las baterías y los acumuladores desechados deberán ser almacenados por separado y trasladados a un punto distinto de recogida de desechos municipales, que cumpla con los reglamentos sobre protección medioambiental. Esto se indica mediante el símbolo de cubo de basura tachado colocado en el equipo.

## Uso previsto

La herramienta ha sido prevista para hacer cortes precisos rectos y de inglete en madera. No utilice la sierra para cortar otra cosa que no sea madera, aluminio y materiales similares.

## Ruido

El nivel de ruido A-ponderado típico determinado de acuerdo con la norma EN62841-3-9:  
Nivel de presión sonora ( $L_{pA}$ ): 90 dB (A)  
Nivel de potencia sonora ( $L_{WA}$ ): 97 dB (A)  
Error (K): 3 dB (A)

**NOTA:** El valor (o los valores) de emisión de ruido declarado ha sido medido de acuerdo con un método de prueba estándar y se puede utilizar para comparar una herramienta con otra.

**NOTA:** El valor (o valores) de emisión de ruido declarado también se puede utilizar en una valoración preliminar de exposición.

**⚠️ ADVERTENCIA:** Póngase protectores para oídos.

**⚠️ ADVERTENCIA:** La emisión de ruido durante la utilización real de la herramienta eléctrica puede variar del valor (o los valores) de emisión declarado dependiendo de las formas en las que la herramienta sea utilizada, especialmente qué tipo de pieza de trabajo se procesa.

**⚠️ ADVERTENCIA:** Asegúrese de identificar medidas de seguridad para proteger al operario que estén basadas en una estimación de la exposición en las condiciones reales de utilización (teniendo en cuenta todas las partes del ciclo operativo como las veces cuando la herramienta está apagada y cuando está funcionando en vacío además del tiempo de gatillo).

## Vibración

El valor total de la vibración (suma de vectores triaxiales) determinado de acuerdo con la norma EN62841-3-9:  
Emisión de vibración ( $a_h$ ): 2,5 m/s<sup>2</sup> o menos  
Error (K): 1,5 m/s<sup>2</sup>

**NOTA:** El valor (o los valores) total de emisión de vibración declarado ha sido medido de acuerdo con un método de prueba estándar y se puede utilizar para comparar una herramienta con otra.

**NOTA:** El valor (o los valores) total de emisión de vibración declarado también se puede utilizar en una valoración preliminar de exposición.

**⚠️ ADVERTENCIA:** La emisión de vibración durante la utilización real de la herramienta eléctrica puede variar del valor (o los valores) de emisión declarado dependiendo de las formas en las que la herramienta sea utilizada, especialmente qué tipo de pieza de trabajo se procesa.

**⚠️ ADVERTENCIA:** Asegúrese de identificar medidas de seguridad para proteger al operario que estén basadas en una estimación de la exposición en las condiciones reales de utilización (teniendo en cuenta todas las partes del ciclo operativo como las veces cuando la herramienta está apagada y cuando está funcionando en vacío además del tiempo de gatillo).

## Declaración CE de conformidad

### Para países europeos solamente

La declaración CE de conformidad está incluida como Anexo A de esta manual de instrucciones.

## ADVERTENCIAS DE SEGURIDAD

### Advertencias de seguridad para herramientas eléctricas en general

**⚠️ ADVERTENCIA:** Lea todas las advertencias de seguridad, instrucciones, ilustraciones y especificaciones provistas con esta herramienta eléctrica. Si no sigue todas las instrucciones indicadas abajo podrá resultar en una descarga eléctrica, un incendio y/o heridas graves.

### Guarde todas las advertencias e instrucciones para futuras referencias.

El término "herramienta eléctrica" en las advertencias se refiere a su herramienta eléctrica de funcionamiento con conexión a la red eléctrica (con cable) o herramienta eléctrica de funcionamiento a batería (sin cable).

### Instrucciones de seguridad para las sierras de inglete

1. Las sierras de inglete han sido previstas para cortar madera o productos semejantes a la madera, no han sido previstas para ser utilizadas con muelas de corte abrasivas para cortar materiales ferrosos tales como barras, vástagos, espárragos roscados, etc. El polvo abrasivo ocasiona que las partes móviles tal como el protector inferior se atasquen. Las chispas del corte abrasivo quemarán el protector inferior, la inserción de hendidura y otras partes de plástico.
2. Utilice abrazaderas para sostener la pieza de trabajo siempre que sea posible. Si sostiene la pieza de trabajo con la mano, deberá mantener la mano siempre a al menos 100 mm de cualquiera de los lados del disco. No utilice esta sierra para cortar piezas que sean demasiado pequeñas para ser fijadas firmemente o sujetadas con la mano. Si pone la mano demasiado cerca del disco, aumentará el riesgo de heridas producidas por el contacto con el disco.
3. La pieza de trabajo debe estar inmóvil y fijada o sujeta contra la guía y la mesa. No avance la pieza de trabajo hacia el disco o corte "a pulso" de ninguna forma. Las piezas de trabajo sin sujetar o moviéndose pueden ser lanzadas a grandes velocidades, causando heridas.

4. **No cruce nunca la mano sobre la línea de corte prevista ya sea por delante o por detrás del disco.** El sostener la pieza de trabajo con la "mano cruzada", por ejemplo, sujetando la pieza de trabajo por la derecha del disco con la mano izquierda o viceversa es muy peligroso.
- Fig.1
5. **No extienda ninguna de las manos por detrás de la guía hasta más cerca de 100 mm de cualquiera de los lados del disco, para retirar restos de madera, o por cualquier otra razón mientras el disco está girando.** La proximidad a su mano del disco girando puede no ser obvia y usted se puede herir gravemente.
  6. **Inspeccione su pieza de trabajo antes de cortar. Si la pieza de trabajo está curvada o combada, fjela con la cara curvada exterior hacia la guía. Asegúrese siempre de que no hay holgura entre la pieza de trabajo, la guía y la mesa a lo largo de la línea del corte.** Las piezas de trabajo curvadas o combadas se pueden retorcer o cambiar de posición y pueden ocasionar que el disco girando se trabe mientras corta. No debe haber clavos u objetos extraños en la pieza de trabajo.
  7. **No utilice la sierra hasta que la mesa esté despejada de todas las herramientas, restos de madera, etc., excepto la pieza de trabajo.** Los restos pequeños o trozos de madera sueltos u otros objetos que entren en contacto con el disco mientras está girando pueden salir lanzados a gran velocidad.
  8. **Corte solamente una pieza de trabajo al mismo tiempo.** Múltiples piezas de trabajo apiladas no se pueden fijar o sujetar debidamente y se pueden trabar en el disco o cambiar de posición durante el corte.
  9. **Asegúrese de que la sierra de inglete está montada o colocada sobre una superficie de trabajo nivelada y firme antes de utilizar.** Una superficie de trabajo nivelada y firme reduce el riesgo de que la sierra de inglete se vuelva inestable.
  10. **Planee su trabajo. Cada vez que cambie el ajuste del ángulo de bisel o inglete, asegúrese de que la guía ajustable esté ajustada correctamente para sostener la pieza de trabajo y que no va a interferir con el disco o el sistema de protección.** Sin "ENCENDER" la herramienta y sin pieza de trabajo encima de la mesa, mueva el disco a través de un corte simulado completo para asegurarse de que no va a haber interferencia o peligro de cortar la guía.
  11. **Proporcione un apoyo adecuado tales como extensiones de mesa, caballetes, etc., para una pieza de trabajo que sea más ancha o larga que la parte superior de la mesa.** Las piezas de trabajo más largas o anchas que la mesa de la sierra de inglete se pueden ladear si no se apoyan firmemente. Si la pieza cortada o la pieza de trabajo se ladea, podrá levantar el protector inferior o ser lanzada por el disco que está girando.
  12. **No utilice a otra persona como sustitución de una mesa de extensión o como apoyo adicional.** Un apoyo inestable de la pieza de trabajo puede ocasionar que el disco se trabe o que la pieza de trabajo cambie de posición durante la operación de corte arrastrando a usted y al ayudante hacia el disco que está girando.
  13. **La pieza cortada no deberá ser empujada o presionada de ningún modo contra el disco que está girando.** Si se confina, por ejemplo, utilizando topes de longitud, la pieza cortada puede incrustarse contra el disco y ser lanzada violentamente.
  14. **Asegúrese siempre de utilizar una abrazadera o accesorio designado para sostener debidamente material redondo tales como vástagos o tubos.** Los vástagos tienen tendencia a rodar mientras están siendo cortados, ocasionando que el disco "muera" y tire de la pieza de trabajo junto con su mano hacia el disco.
  15. **Deje que el disco alcance plena velocidad antes de que haga contacto con la pieza de trabajo.** Esto reducirá el riesgo de que la pieza de trabajo sea lanzada.
  16. **Si la pieza de trabajo o el disco se atasca, apague la sierra de inglete. Espere hasta que todas las partes móviles se detengan y desconecte la clavija de la fuente de alimentación y/o retire la batería. Después realice la tarea de liberar el material atascado.** Si continúa serrando con una pieza de trabajo atascada podrá ocasionar la pérdida de control o daños a la sierra de inglete.
  17. **Después de terminar el corte, libere el interruptor, mantenga el cabezal de la sierra bajado y espere hasta que el disco se detenga antes de retirar la pieza cortada.** El alargar la mano hasta cerca del disco que está girando por inercia es peligroso.
  18. **Sujete la empuñadura firmemente cuando haga un corte incompleto o cuando libere el interruptor antes de que el cabezal de la sierra esté completamente en la posición bajada.** La acción de frenado de la sierra puede ocasionar que el cabezal de la sierra sea arrastrado repentinamente hacia abajo, ocasionando un riesgo de heridas.
  19. **Utilice solamente el disco de sierra con el diámetro que está marcado en la herramienta o especificado en el manual.** La utilización de un disco de tamaño incorrecto puede afectar a la protección apropiada del disco o a la operación del protector lo que puede resultar en heridas personales graves.
  20. **Utilice solamente discos que tengan marcada una velocidad igual o mayor que la velocidad marcada en la herramienta.**
  21. **No utilice la sierra para cortar otra cosa que no sea madera, aluminio y materiales similares.**
  22. **(Para países de Europa solamente) Utilice siempre el disco que cumpla con EN847-1.**
- Instrucciones adicionales**
1. **Haga el taller a prueba de niños utilizando candados.**
  2. **No se ponga nunca encima de la herramienta.** Si la herramienta se vuelca o si se hace contacto involuntario con el implemento de corte se podrán producir heridas graves.
  3. **No deje nunca la herramienta en marcha sin atender. Desconecte la alimentación. No deje la herramienta hasta que se haya detenido completamente.**

4. No utilice la sierra sin los protectores puestos. Compruebe que el protector de disco se cierra debidamente antes de cada uso. No utilice la sierra si el protector de disco no se mueve libremente y se cierra instantáneamente. No sujete ni ate nunca el protector de disco en la posición abierta.
  5. Mantenga las manos apartadas del recorrido del disco. Evite el contacto con cualquier disco cuando esté girando por inercia. Incluso entonces puede causar heridas graves.
  6. Sujete siempre todas las partes móviles antes de transportar la herramienta.
  7. El pasador de retención que bloquea el cabezal de corte en posición bajada es solamente para transportar y almacenar la herramienta y no para ninguna operación de corte.
  8. Compruebe el disco cuidadosamente por si tiene grietas o daños antes de comenzar la operación. Reemplace el disco agrietado o dañado inmediatamente. La goma y resina de madera endurecida en los discos ralentiza la sierra y aumenta la posibilidad de que se produzca un retroceso brusco. Mantenga el disco limpio retirándolo primero de la herramienta, después límpielo con un eliminador de goma y resina, agua caliente o keroseno. No utilice nunca gasolina para limpiar el disco.
  9. Utilice solamente las bridas especificadas para esta herramienta.
  10. Tenga cuidado de no dañar el eje, las bridas (en especial la superficie de instalación) o el perno. Los daños en estas piezas pueden resultar en rotura del disco.
  11. Asegúrese de que la base giratoria está debidamente sujeta de forma que no se mueva durante la operación. Utilice los agujeros en la base para sujetar la sierra a una plataforma o banco de trabajo estable. No utilice NUNCA la herramienta donde la postura del operario no sea práctica.
  12. Antes de activar el interruptor, asegúrese de que el bloqueo del eje está quitado.
  13. Asegúrese de que el disco no toca la base giratoria cuando está en la posición más baja.
  14. Sujete la empuñadura firmemente. Tenga presente que la sierra se mueve un poco hacia arriba y hacia abajo durante el inicio y la parada.
  15. Asegúrese de que el disco no está tocando la pieza de trabajo antes de activar el interruptor.
  16. Antes de utilizar la herramienta en la pieza de trabajo definitiva, déjela funcionar durante un rato. Observe para ver si se producen vibraciones o bamboleos que puedan indicar que el disco está mal instalado o mal equilibrado.
  17. Detenga la operación inmediatamente si nota algo anormal.
  18. No intente bloquear el gatillo en la posición "ACTIVADA".
  19. Utilice siempre los accesorios recomendados en este manual. La utilización de accesorios incorrectos como muelas abrasivas puede ocasionar heridas.
  20. Algunos materiales contienen sustancias químicas que pueden ser tóxicas. Tenga precaución para evitar la inhalación de polvo y el contacto con la piel. Siga los datos de seguridad del abastecedor del material.
- Normas de seguridad adicionales para el láser
1. **RADIACIÓN LÁSER, NO QUEDARSE MIRANDO AL HAZ O MIRAR DIRECTAMENTE CON INSTRUMENTOS ÓPTICOS, PRODUCTO LÁSER CLASE 2M.**

## GUARDE ESTAS INSTRUCCIONES.

**⚠️ ADVERTENCIA:** NO deje que la comodidad o familiaridad con el producto (a base de utilizarlo repetidamente) sustituya la estricta observancia de las normas de seguridad para el producto en cuestión. El MAL USO o el no seguir las normas de seguridad establecidas en este manual de instrucciones podrá ocasionar graves heridas personales.

### Instrucciones de seguridad importantes para el cartucho de batería

1. Antes de utilizar el cartucho de batería, lea todas las instrucciones e indicaciones de precaución sobre (1) el cargador de baterías, (2) la batería, y (3) el producto con el que se utiliza la batería.
2. No desensamble ni manipule el cartucho de batería. Podrá resultar en un incendio, calor excesivo, o una explosión.
3. Si el tiempo de uso se acorta demasiado, cese la operación inmediatamente. Podría resultar en un riesgo de recalentamiento, posibles quemaduras e incluso una explosión.
4. Si entra electrólito en sus ojos, aclárelos con agua limpia y acuda a un médico inmediatamente. Existe el riesgo de poder perder la vista.
5. No cortocircuite el cartucho de batería:
  - (1) No toque los terminales con ningún material conductor.
  - (2) Evite guardar el cartucho de batería en un cajón junto con otros objetos metálicos, como clavos, monedas, etc.
  - (3) No exponga el cartucho de batería al agua ni a la lluvia.

Un cortocircuito en la batería puede producir una gran circulación de corriente, un recalentamiento, posibles quemaduras e incluso una rotura de la misma.
6. No guarde ni utilice la herramienta y el cartucho de batería en lugares donde la temperatura pueda alcanzar o exceder los 50 °C.
7. Nunca incinere el cartucho de batería incluso en el caso de que esté dañado seriamente o ya no sirva en absoluto. El cartucho de batería puede explotar si se tira al fuego.



8. **No clave, corte, aplaste, lance, deje caer el cartucho de batería, ni golpee contra un objeto duro el cartucho de batería.** Tal conducta podrá resultar en un incendio, calor excesivo, o una explosión.
9. **No utilice una batería dañada.**
10. **Las baterías de litio-ion contenidas están sujetas a los requisitos de la Legislación para Materiales Peligrosos.**  
Para transportes comerciales, p.ej., por terceras personas y agentes de transportes, se deberán observar requisitos especiales para el empaquetado y etiquetado.  
Para la preparación del artículo que se va a enviar, se requiere consultar con un experto en materiales peligrosos. Por favor, observe también la posibilidad de reglamentos nacionales más detallados.  
Cubra con cinta aislante o enmascare los contactos expuestos y empaquete la batería de tal manera que no se pueda mover alrededor dentro del embalaje.
11. **Para desechar el cartucho de batería, retirelo de la herramienta y deséchelo en un lugar seguro. Siga los reglamentos locales referentes al desecho de la batería.**
12. **Utilice las baterías solamente con los productos especificados por Makita.** La instalación de las baterías en productos no compatibles puede resultar en un incendio, calor excesivo, explosión, o fuga de electrolito.
13. **Si la herramienta no va a ser utilizada durante un periodo de tiempo largo, la batería deberá ser retirada de la herramienta.**
14. **Durante y después de la utilización, el cartucho de batería podrá acumular calor, lo cual puede ocasionar quemaduras o quemaduras de baja temperatura. Preste atención al manejo de cartuchos de batería calientes.**
15. **No toque el terminal de la herramienta inmediatamente después de utilizar, dado que puede calentarse lo suficiente como para ocasionar quemaduras.**
16. **No permita que virutas, polvo, o tierra se adhieran dentro de los terminales, orificios, y ranuras del cartucho de batería.** Esto podría ocasionar calentamiento, que coja fuego, reviente y un mal funcionamiento de la herramienta o el cartucho de batería, resultando en quemaduras o heridas personales.
17. **A menos que la herramienta pueda utilizarse cerca de cables eléctricos de alta tensión, no utilice el cartucho de batería cerca de cables eléctricos de alta tensión.** Podrá resultar en un mal funcionamiento o rotura de la herramienta o el cartucho de batería.
18. **Mantenga la batería alejada de los niños.**

## GUARDE ESTAS INSTRUCCIONES.

**⚠PRECAUCIÓN:** Utilice solamente baterías genuinas de Makita. La utilización de baterías no genuinas de Makita, o baterías que han sido alteradas, puede resultar en una explosión de la batería ocasionando incendios, heridas personales y daños. También anulará la garantía de Makita para la herramienta y el cargador de Makita.

## Consejos para alargar al máximo la vida de servicio de la batería

1. **Cargue el cartucho de batería antes de que se descargue completamente. Detenga siempre la operación y cargue el cartucho de batería cuando note menos potencia en la herramienta.**
2. **No cargue nunca un cartucho de batería que esté completamente cargado. La sobrecarga acortará la vida de servicio de la batería.**
3. **Cargue el cartucho de batería a temperatura ambiente de 10 °C - 40 °C. Si un cartucho de batería está caliente, déjelo enfriar antes de cargarlo.**
4. **Cuando no esté utilizando el cartucho de batería, retirelo de la herramienta o del cargador.**
5. **Cargue el cartucho de batería si no lo utiliza durante un periodo de tiempo prolongado (más de seis meses).**

## DESCRIPCIÓN DE LAS PARTES

► Fig.2

1	Botón de desbloqueo	2	Gatillo interruptor	3	Empuñadura	4	Caja del disco
5	Disco	6	Protector de disco	7	Guía secundaria	8	Guía secundaria pequeña
9	Base	10	Base giratoria	11	Guía lateral	12	Mordaza vertical
13	Bolsa de polvo	14	Boquilla de polvo	15	Cubierta central	-	-

► Fig.3

16	Lámpara	17	Cartucho de batería	18	Llave hexagonal	19	Palanca de liberación
20	Palanca (para ajustar el ángulo de bisel)	21	Placa de corte	22	Perno de ajuste del límite inferior	23	Interruptor de la lámpara
24	Interruptor del láser	-	-	-	-	-	-



# INSTALACIÓN

## Montaje en un banco de trabajo

**⚠️ ADVERTENCIA:** Asegúrese de que la herramienta no se mueva en la superficie de apoyo.

El movimiento de la sierra de inglete en la superficie de apoyo mientras hace el corte puede resultar en la pérdida del control y heridas personales graves.

1. Fije la base en una superficie nivelada y estable, atornillándola con dos pernos. Esto ayuda a evitar que se vuelque y pueda ocasionar heridas.

► Fig.4: 1. Perno

# DESCRIPCIÓN DEL FUNCIONAMIENTO

**⚠️ ADVERTENCIA:** Asegúrese siempre de que la herramienta está apagada y el cartucho de batería retirado antes de ajustar o comprobar las funciones de la herramienta. Si no apaga la herramienta y retira el cartucho de batería podrá resultar en heridas personales graves a causa de una puesta en marcha accidental.

## Instalación o extracción del cartucho de batería

**⚠️ PRECAUCIÓN:** Apague siempre la herramienta antes de instalar o retirar el cartucho de batería.

**⚠️ PRECAUCIÓN:** Sujete la herramienta y el cartucho de batería firmemente cuando instale o retire el cartucho de batería. Si no sujeta la herramienta y el cartucho de batería firmemente podrán caérsele de las manos y resultar en daños a la herramienta y al cartucho de batería y heridas personales.

► Fig.5: 1. Indicador rojo 2. Botón 3. Cartucho de batería

Para retirar el cartucho de batería, deslícelo de la herramienta mientras desliza el botón de la parte frontal del cartucho.

Para instalar el cartucho de batería, alinee la lengüeta del cartucho de batería con la ranura de la carcasa y deslícelo hasta que encaje en su sitio. Insértelo a tope hasta que se bloquee en su sitio produciendo un pequeño chasquido. Si puede ver el indicador rojo en el lado superior del botón, no estará bloqueado completamente.

**⚠️ PRECAUCIÓN:** Instale siempre el cartucho de batería completamente hasta que no pueda verse el indicador rojo. En caso contrario, podrá caerse accidentalmente de la herramienta y ocasionarle heridas a usted o a alguien que esté cerca de usted.

**⚠️ PRECAUCIÓN:** No instale el cartucho de batería empleando fuerza. Si el cartucho no se desliza al interior fácilmente, será porque no está siendo insertado correctamente.

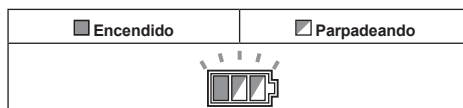
# Sistema de protección de la herramienta / batería

La herramienta está equipada con un sistema de protección de la herramienta/batería. Este sistema corta automáticamente la alimentación al motor para alargar la vida de servicio de la herramienta y la batería. La herramienta se detendrá automáticamente durante la operación si la herramienta o la batería es puesta en una de las condiciones siguientes:

## Protección contra sobrecarga

Cuando la herramienta es utilizada de una manera que da lugar a que tenga que absorber una corriente anormalmente alta, la herramienta se detiene automáticamente sin ninguna indicación. En esta situación, apague la herramienta y detenga la tarea que ocasiona la sobrecarga de la herramienta. Después encienda la herramienta para volver a empezar.

## Protección contra el recalentamiento



Cuando la herramienta se recalienta, se detiene automáticamente, y el indicador de batería parpadea unos 60 segundos. En esta situación, deje que la herramienta se enfríe antes de encenderla otra vez.

## Protección contra descarga excesiva

Cuando la capacidad de la batería sea baja, la herramienta se detendrá automáticamente. Si el producto no funciona aun cuando los interruptores sean accionados, retire las baterías de la herramienta y cárguelas.

## Cancelación del bloqueo activado por el sistema de protección

Si el sistema de protección se activa repetidamente, la herramienta se bloquea y el indicador de batería parpadea.



En este caso, desactive el interruptor y retire la causa que está activando el sistema de protección, y después active el interruptor otra vez. Si la herramienta no funciona después de activar el interruptor otra vez, retire el cartucho de batería y cárguelo.

## Modo de indicar la capacidad de batería restante

► Fig.6: 1. Indicador de batería

Cuando usted aprieta el gatillo interruptor, el indicador de batería indica la capacidad de batería restante.

Estado del indicador de batería			Capacidad de batería restante
Encendido	Apagado	Parpadeando	
			50% a 100%
			20% a 50%
			0% a 20%
			Cargue la batería

## Modo de indicar la capacidad de batería restante

*Solamente para cartuchos de batería con el indicador*

► Fig.7: 1. Lámparas indicadoras 2. Botón de comprobación

Presione el botón de comprobación en el cartucho de batería para indicar la capacidad de batería restante. Las lámparas indicadoras se iluminan durante unos pocos segundos.

Lámparas indicadoras			Capacidad restante
Iluminada	Apagada	Parpadeando	
			75% a 100%
			50% a 75%
			25% a 50%
			0% a 25%
			Cargue la batería.
			Puede que la batería no esté funcionando bien.

**NOTA:** Dependiendo de las condiciones de utilización y de la temperatura ambiente, la indicación podrá variar ligeramente de la capacidad real.

**NOTA:** La primera lámpara indicadora (extremo izquierdo) parpadeará cuando el sistema de protección de la batería esté funcionando.

## Función de cambio automático de velocidad

► Fig.8: 1. Indicador de modo

Estado del indicador de modo	Modo de operación
	Modo velocidad alta
	Modo torsión alta

Esta herramienta tiene “modo velocidad alta” y “modo torsión alta”. La herramienta cambia automáticamente el modo de operación dependiendo de la carga de trabajo. Cuando el indicador de modo está iluminado durante la operación, la herramienta está en modo de torsión alta.

## Pasador de retención

**PRECAUCIÓN:** Sujete siempre la empuñadura cuando vaya a soltar el pasador de retención. De lo contrario la empuñadura saltará hacia arriba y podrá resultar en heridas personales.

Para soltar el pasador de retención, mantenga aplicada una ligera presión hacia abajo en la empuñadura y tire del pasador de retención.

► Fig.9: 1. Pasador de retención

## Protector de disco

**ADVERTENCIA:** No anule ni retire nunca el protector de disco ni el resorte que hay en el protector. Un disco expuesto como resultado de un protector anulado puede resultar en heridas personales graves durante la operación.

**ADVERTENCIA:** No utilice nunca la herramienta si el protector de disco o el resorte está dañado, defectuoso o ha sido retirado. La utilización de la herramienta con protector dañado, defectuoso o retirado puede resultar en heridas personales graves.

**PRECAUCIÓN:** Mantenga siempre el protector de disco en buenas condiciones para realizar la operación con seguridad. Detenga inmediatamente la operación si nota alguna irregularidad en el protector de disco. Compruebe para asegurarse de que el protector retorna accionado por resorte.

► Fig.10: 1. Protector de disco

Al bajar la empuñadura, el protector de disco se sube automáticamente. El protector se acciona por resorte por lo que retorna a su posición original cuando se completa el corte y se sube la empuñadura.

### Limpieza

► Fig.11: 1. Protector de disco

Si el protector de disco transparente se ensucia, o si se adhiere a él serrín de tal forma que no puede verse fácilmente el disco y/o la pieza de trabajo, retire el cartucho de batería y limpie el protector cuidadosamente con un paño húmedo. No utilice disolventes ni ningún producto de limpieza a base de petróleo para limpiar el protector de plástico porque pueden causar daños al protector.

Para la limpieza, suba el protector de disco refiriéndose a "Instalación o desmontaje del disco".

Después de hacer la limpieza, asegúrese de volver a poner el disco y la cubierta central y apretar el perno de cabeza hueca hexagonal.

1. Asegúrese de que la herramienta está apagada y que los cartuchos de batería han sido retirados.
2. Gire el perno de cabeza hueca hexagonal que retiene la cubierta central hacia la izquierda utilizando la llave hexagonal suministrada.
3. Suba el protector de disco y la cubierta central.
4. Cuando haya completado la limpieza, vuelva a poner la cubierta central y apriete el perno de cabeza hueca hexagonal realizando los pasos de arriba a la inversa.

**⚠ ADVERTENCIA:** No retire el resorte que sujeta el protector de disco. Si el protector se daña con el paso del tiempo o por la exposición a los rayos ultravioleta, póngase en contacto con el Centro de servicio Makita para reemplazarlo. **NO ANULE NI RETIRE EL PROTECTOR.**

## Posicionamiento de la placa de corte

Esta herramienta se provee con placas de corte en la base giratoria para minimizar el desgarro en el lado de salida de un corte. Las placas de corte se ajustan en fábrica para que el disco no las toque. Antes de utilizar la herramienta, ajuste las placas de corte de la forma siguiente:

1. Asegúrese de retirar el cartucho de batería. Después, afloje todos los tornillos (2 en cada lado derecho e izquierdo) que sujetan las placas de corte.
- **Fig.12:** 1. Placa de corte 2. Tornillo

2. Apriételes otra vez pero solamente hasta el punto en el que las placas de corte puedan seguir moviéndose fácilmente con la mano.

3. Baje la empuñadura completamente y empuje hacia dentro el pasador de retención para bloquear la empuñadura en la posición bajada.

4. Ajuste las placas de corte de forma que justamente hagan contacto con los laterales de los dientes del disco.

► **Fig.13**

- **Fig.14:** 1. Disco 2. Dientes del disco 3. Placa de corte 4. Corte en bisel izquierdo 5. Corte recto

5. Apriete los tornillos (no los apriete mucho).

6. Después de ajustar las placas de corte, libere el pasador de retención y suba la empuñadura. Después apriete todos los tornillos firmemente.

**AVISO:** Después de ajustar el ángulo de bisel asegúrese de que las placas de corte están ajustadas debidamente. El correcto ajuste de las placas de corte ayuda a proveer un apoyo adecuado de la pieza de trabajo y a reducir al mínimo el desgarro de la pieza de trabajo.

## Para mantener la máxima capacidad de corte

Esta herramienta se ajusta en fábrica para lograr su capacidad de corte máxima con un disco de 165 mm. Cuando instale un disco nuevo, compruebe siempre la posición del límite inferior del disco, y si es necesario, ajústela de la forma siguiente:

1. Retire el cartucho de batería. Baje la empuñadura completamente.
2. Utilice la llave hexagonal para girar el perno de ajuste del límite inferior hasta que el disco quede ligeramente por debajo de la sección transversal de la guía lateral y la superficie superior de la base giratoria.

► **Fig.15:** 1. Perno de ajuste

► **Fig.16:** 1. Guía lateral

3. Gire el disco con la mano mientras mantiene la empuñadura bajada completamente para asegurarse de que el disco no hace contacto con ninguna parte de la base inferior. Reajuste ligeramente, si es necesario.

**⚠ ADVERTENCIA:** Después de instalar un disco nuevo y con el cartucho de batería retirado, asegúrese siempre de que el disco no hace contacto con ninguna parte de la base inferior cuando la empuñadura está bajada completamente. Si un disco hace contacto con la base podrá ocasionar un retroceso brusco y resultar en heridas personales graves.

► **Fig.17**

## Guía secundaria

### Específico para cada país

Esta herramienta está equipada con la guía secundaria y las guías secundarias pequeñas.

## Guía secundaria

**⚠ ADVERTENCIA:** Retire siempre la guía secundaria cuando realice cortes en bisel. En caso contrario podrán producirse heridas graves.

► **Fig.18:** 1. Guía secundaria

Cuando realice cortes, excepto para cortes en bisel, utilice la guía secundaria para apoyar la pieza de trabajo.

## Guía secundaria pequeña

**⚠ PRECAUCIÓN:** Cuando realice cortes en bisel derecho, pliegue las guías secundarias pequeñas. De lo contrario, podrán entrar en contacto con el disco o con una parte de la herramienta, y resultar en heridas graves al operario.

► **Fig.19:** 1. Guía secundaria pequeña 2. Escala

Cuando realice un corte vertical o corte en bisel izquierdo, voltéelas hacia arriba para apoyar la pieza de trabajo. La guía lateral tiene una escala con intervalos de 10 mm.

## Ajuste del ángulo de inglete

- **Fig.20:** 1. Tornillo de fijación 2. Base giratoria  
3. Escala de inglete 4. Puntero

1. Afloje el tornillo de fijación hacia la izquierda.
2. Ajuste el ángulo de la base giratoria. Utilice el puntero y la escala de inglete como guía.
3. Apriete el tornillo de fijación hacia la derecha firmemente.

**⚠PRECAUCIÓN:** Después de cambiar el ángulo de inglete, sujete siempre la base giratoria apretando el tornillo de fijación firmemente.

**AVISO:** Cuando vaya a girar la base giratoria, asegúrese de subir la empuñadura completamente.

## Ajuste del ángulo de bisel

Para ajustar el ángulo de bisel, gire la palanca de la parte trasera de la herramienta hacia abajo.

- **Fig.21:** 1. Palanca

Para inclinar el disco hacia la izquierda, sujete la empuñadura e incline el cabezal de la sierra. Utilice la escala de bisel y el puntero como guía. Después gire la palanca hacia arriba firmemente para sujetar el cabezal de la sierra.

- **Fig.22:** 1. Puntero 2. Escala de bisel

Para inclinar el disco hacia la derecha, sujete la empuñadura e incline el cabezal de la sierra hacia la izquierda ligeramente, y presione el botón de liberación. Con el botón de liberación presionado, incline el disco hacia la derecha. Gire la palanca hacia arriba firmemente para sujetar el cabezal de la sierra.

- **Fig.23:** 1. Botón de liberación

**⚠PRECAUCIÓN:** Después de cambiar el ángulo de bisel, sujete siempre el cabezal de la sierra girando la palanca hacia arriba firmemente.

**AVISO:** Cuando vaya a inclinar el disco asegúrese de que la empuñadura está completamente subida.

**AVISO:** Cuando vaya a cambiar ángulos de bisel, asegúrese de posicionar las placas de corte debidamente como se explica en la sección "Posicionamiento de la placa de corte".

## Ajuste del ángulo de bisel de 46°

1. Afloje la palanca e incline el disco hacia la izquierda o hacia la derecha completamente.

- **Fig.24:** 1. Palanca

2. Para inclinar el disco hacia la izquierda, sujete la empuñadura e incline el cabezal de la sierra hacia la derecha ligeramente, y después mueva la palanca de liberación en la dirección de la flecha. El ángulo de bisel se puede ajustar entre 45° y 46° inclinando el cabezal de la sierra mientras mueve la palanca de liberación.

Para inclinar el disco hacia la derecha, sujete la empuñadura e incline el cabezal de la sierra hacia la izquierda ligeramente, y después mueva la palanca de liberación en la dirección de la flecha. El ángulo de bisel se puede ajustar entre 45° y 46° inclinando el cabezal de la sierra mientras mueve la palanca de liberación.

- **Fig.25:** 1. Palanca 2. Palanca de liberación

3. Gire la palanca hacia arriba firmemente para sujetar el cabezal de la sierra.

## Ajuste de la posición de la palanca

Si con el paso del tiempo la palanca deja de proveer un apriete completo, cambie la posición de la palanca. La palanca se puede recolocar a cada 30° de ángulo. Afloje y retire el tornillo que sujeta la palanca. Retire la palanca e instálela otra vez de forma que apunte ligeramente por encima de la horizontal. Después, apriete la palanca firmemente con el tornillo.

- **Fig.26:** 1. Palanca 2. Tornillo

## Accionamiento del interruptor

**⚠ADVERTENCIA:** Antes de instalar el cartucho de batería en la herramienta, compruebe siempre para cerciorarse de que el gatillo interruptor se acciona debidamente y que vuelve a la posición "OFF" cuando lo suelta. La utilización de una herramienta con un interruptor que no se acciona debidamente puede resultar en la pérdida de control y heridas personales graves.

**⚠ADVERTENCIA:** No utilice NUNCA la herramienta si el gatillo interruptor no funciona perfectamente bien. Cualquier herramienta con un interruptor que no funciona bien es MUY PELIGROSA y deberá ser reparada antes de seguir utilizándola o podrán producirse heridas personales graves.

**⚠ADVERTENCIA:** Por su propia seguridad, esta herramienta está equipada con un botón de desbloqueo que impide que la herramienta pueda ser puesta en marcha de forma involuntaria. No utilice NUNCA la herramienta si se pone en marcha cuando usted simplemente aprieta el gatillo interruptor sin presionar el botón de desbloqueo. Un interruptor con necesidad de reparación puede resultar en una puesta en marcha involuntaria y heridas personales graves. Lleve la herramienta a un centro de servicio Makita para que le hagan las reparaciones apropiadas ANTES de seguir utilizándola.

**⚠ADVERTENCIA:** No anule NUNCA la función del botón de desbloqueo sujetándolo con cinta adhesiva o de alguna otra manera. Un interruptor con un botón de desbloqueo anulado puede resultar en una puesta en marcha involuntaria y heridas personales graves.

**AVISO:** No apriete con fuerza el gatillo interruptor sin presionar hacia dentro el botón de desbloqueo. Podría romper el interruptor.

Para evitar que el gatillo interruptor pueda accionarse accidentalmente, se ha provisto un botón de desbloqueo. Para poner en marcha la herramienta, presione hacia dentro el botón de desbloqueo y apriete el gatillo interruptor. Suelte el gatillo interruptor para parar.

- **Fig.27:** 1. Botón de desbloqueo 2. Agujero para candado 3. Gatillo interruptor

## Encendido de la lámpara

**⚠PRECAUCIÓN:** Esta no es una luz a prueba de lluvia. No lave la luz en agua o la utilice bajo la lluvia o en un área mojada. Tal conducta puede ocasionar una descarga eléctrica y humo.

**⚠PRECAUCIÓN:** No toque la lente de la luz, porque estará muy caliente mientras está encendida o poco después de haberla apagado. Esto puede ocasionar una quemadura en el cuerpo de una persona.

**⚠PRECAUCIÓN:** No aplique impactos a la luz, los cuales podrán ocasionar daños o reducir el tiempo de servicio de la misma.

**⚠PRECAUCIÓN:** No mantenga dirigido el haz de la luz hacia sus ojos. Esto puede ocasionar daños a sus ojos.

**⚠PRECAUCIÓN:** No cubra la luz con ropa, cartón, cartulina u objetos similares mientras está encendida, lo cual puede ocasionar un incendio o una ignición.

**⚠PRECAUCIÓN:** No mire a la luz ni vea la fuente de luz directamente.

Para encender la lámpara, presione la posición superior (I) del interruptor. Para apagar la lámpara, presione la posición inferior (O) del interruptor.

► Fig.28: 1. Lámpara 2. Interruptor de la lámpara

**NOTA:** Utilice un paño seco para quitar la suciedad de la lente de la lámpara. Tenga cuidado de no rayar la lente de la lámpara, porque podrá disminuir la iluminación.

**NOTA:** Asegúrese de desactivar el interruptor porque la activación del interruptor consume energía de la batería.

## Acción del haz de láser

**⚠PRECAUCIÓN:** No mire nunca al haz de láser. El haz de láser directo puede herir sus ojos.

Para encender el haz de láser, presione la posición superior (I) del interruptor. Para apagar el haz de láser, presione la posición inferior (O) del interruptor.

► Fig.29: 1. Interruptor del láser

**NOTA:** Asegúrese de desactivar el interruptor porque la activación del interruptor consume energía de la batería.

La línea láser se puede desplazar hacia el lado izquierdo o derecho del disco de sierra circular girando el tornillo de ajuste de la forma siguiente.

► Fig.30: 1. Tornillo de ajuste

1. Afloje el tornillo de ajuste girándolo hacia la izquierda.
2. Con el tornillo de ajuste aflojado, deslice el tornillo de ajuste hacia la derecha o hacia la izquierda a tope.
3. Apriete el tornillo de ajuste firmemente en la posición donde deja de deslizarse.

**NOTA:** La línea láser se ajusta en fábrica de forma que queda posicionada dentro de 1 mm de la superficie lateral del disco de sierra circular (posición de corte).

**NOTA:** Cuando la línea láser aparezca atenuada y difícil de ver debido a la luz solar directa, vuelva a colocar el área de trabajo en un lugar donde haya menos luz solar directa.

## Alineación de la línea láser

Alinee la línea de corte de su pieza de trabajo con la línea láser.

► Fig.31

A) Cuando quiera obtener el tamaño correcto en el lado izquierdo de la pieza de trabajo, desplace la línea láser hacia la izquierda del disco de sierra circular.

B) Cuando quiera obtener el tamaño correcto en el lado derecho de la pieza de trabajo, desplace la línea láser hacia la derecha del disco de sierra circular.

## MONTAJE

**⚠ADVERTENCIA:** Asegúrese siempre de que la herramienta está apagada y el cartucho de batería retirado antes de trabajar en la herramienta. El no apagar y retirar el cartucho de batería puede resultar en heridas personales graves.

## Para guardar la llave hexagonal

La llave hexagonal se guarda como se muestra en la figura. Cuando se necesite, la llave hexagonal se puede extraer del portallaves.

Después de utilizar la llave hexagonal, puede guardarla volviéndola a poner en el portallaves.

► Fig.32: 1. Portallaves 2. Llave hexagonal

## Instalación o desmontaje del disco

**⚠ADVERTENCIA:** Asegúrese siempre de que la herramienta está apagada y el cartucho de batería retirado antes de instalar o desmontar el disco. Una puesta en marcha involuntaria de la herramienta puede resultar en heridas personales graves.

**⚠PRECAUCIÓN:** Utilice solamente la llave hexagonal Makita provista para instalar o retirar el disco. De lo contrario, podrá resultar en un apriete excesivo o insuficiente del perno de cabeza hueca hexagonal. Esto podría ocasionarle heridas.

Para retirar el disco, realice los pasos siguientes:

1. Libere el pasador de retención, y después bloquee la empuñadura en la posición subida empujando hacia dentro el pasador de retención.

► Fig.33: 1. Pasador de retención

2. Utilice la llave hexagonal para aflojar el perno de cabeza hueca hexagonal que sujeta la cubierta central girándolo hacia la izquierda. Después, suba el protector de disco y la cubierta central.

► **Fig.34:** 1. Cubierta central 2. Perno de cabeza hueca hexagonal 3. Llave hexagonal 4. Protector de disco

3. Presione el bloqueo del eje para bloquear el eje y utilice la llave hexagonal para aflojar el perno de cabeza hueca hexagonal hacia la derecha. Después retire el perno de cabeza hueca hexagonal del eje, la brida exterior y el disco.

► **Fig.35:** 1. Bloqueo del eje 2. Perno de cabeza hueca hexagonal 3. Brida exterior

4. Si retira la brida interior, instálala en el eje con su parte de montaje de disco orientada hacia el disco. Si la brida está instalada incorrectamente rozará contra la máquina.

► **Fig.36:** 1. Brida exterior 2. Disco 3. Brida interior 4. Perno de cabeza hueca hexagonal (rosca hacia la izquierda) 5. Eje 6. Parte de montaje de disco

Para instalar el disco, realice los pasos siguientes:

1. Monte el disco con cuidado sobre la brida interior. Asegúrese de que la dirección de la flecha en el disco coincide con la dirección de la flecha en la caja del disco.

► **Fig.37:** 1. Disco 2. Flecha

2. Instale la brida exterior y perno de cabeza hueca hexagonal, y después utilizando la llave hexagonal apriete el perno de cabeza hueca hexagonal (rosca hacia la izquierda) del eje firmemente hacia la izquierda mientras presiona el bloqueo del eje.

3. Devuelva el protector de disco y la cubierta central a sus posiciones originales. Después apriete el perno de cabeza hueca hexagonal de la cubierta central hacia la derecha para sujetar la cubierta central.

4. Libere la empuñadura de la posición levantada tirando del pasador de retención. Baje la empuñadura para asegurarse de que el protector de disco se mueve debidamente.

5. Asegúrese de que el bloqueo del eje ha liberado el eje antes de hacer el corte.

## Para herramienta con brida interior para disco con agujero de 15,88 mm de diámetro

### Específico para cada país

Monte la brida interior con su cara hundida orientada hacia afuera en el eje de montaje y después coloque el disco (con el anillo colocado si es necesario), la brida exterior y el perno hexagonal.

### Para herramienta sin el anillo

► **Fig.38:** 1. Brida exterior 2. Disco 3. Brida interior 4. Perno de cabeza hueca hexagonal (rosca hacia la izquierda) 5. Eje

### Para herramienta con el anillo

► **Fig.39:** 1. Brida exterior 2. Disco 3. Brida interior 4. Perno de cabeza hueca hexagonal (rosca hacia la izquierda) 5. Anillo 6. Eje

**⚠ADVERTENCIA:** Si se necesita el anillo para montar el disco en el eje, asegúrese siempre de que el anillo correcto para el agujero de eje del disco que piensa utilizar está instalado entre las bridas interior y exterior. La utilización de un anillo para agujero de eje incorrecto puede resultar en un montaje incorrecto del disco ocasionando un movimiento del disco y vibración fuerte resultando en una posible pérdida de control durante la operación y en heridas personales graves.

## Para herramienta con brida interior para disco distinto de los con agujero de 20 mm o 15,88 mm de diámetro

### Específico para cada país

La brida interior tiene una parte de montaje de disco de cierto diámetro en una cara y una parte de montaje de disco de diámetro diferente en la otra cara. Elija la cara correcta cuya parte de montaje de disco encaje perfectamente en el agujero del disco.

► **Fig.40:** 1. Brida exterior 2. Disco 3. Brida interior 4. Perno de cabeza hueca hexagonal (rosca hacia la izquierda) 5. Eje 6. Parte de montaje de disco

**⚠PRECAUCIÓN:** Asegúrese de que la parte de montaje de disco "a" de la brida interior que está posicionada hacia afuera encaja en el agujero del disco "a" perfectamente. Montar el disco en la cara incorrecta puede resultar en una vibración peligrosa.

## Bolsa de polvo

La utilización de la bolsa de polvo permite realizar operaciones de corte más limpias y recoger más fácilmente el polvo.

Para colocar la bolsa de polvo, encájela en la boquilla de polvo.

Cuando la bolsa de polvo esté medio llena, retírela de la herramienta y extraiga el cierre. Vacíe la bolsa de polvo golpeándola ligeramente con objeto de retirar las partículas adheridas en el interior para que no impidan la posterior recogida de polvo.

► **Fig.41:** 1. Bolsa de polvo 2. Boquilla de polvo 3. Cierre

**NOTA:** Si conecta un aspirador a su sierra, podrá realizar operaciones más limpias.

► **Fig.42**



## Sujeción de la pieza de trabajo

**⚠ADVERTENCIA:** Es muy importante sujetar siempre la pieza de trabajo correctamente con la mordaza. El no hacerlo puede resultar en heridas personales graves y ocasionar daños a la herramienta y/o la pieza de trabajo.

**⚠ADVERTENCIA:** Cuando corte una pieza de trabajo que sea más larga que la base de apoyo de la sierra, el material deberá ser apoyado en toda su longitud más allá de la base de apoyo y a la misma altura para mantener el material nivelado. Un apoyo apropiado de la pieza de trabajo ayudará a evitar que el disco se atranque y un posible retroceso brusco que puede resultar en heridas personales graves. No dependa únicamente de la mordaza vertical y/o mordaza horizontal para sujetar la pieza de trabajo. El material fino tiende a combarse. Apoye la pieza de trabajo en toda su longitud para evitar que el disco se atranque y que posiblemente se produzca un RETROCESO BRUSCO.

► Fig.43: 1. Apoyo 2. Base giratoria

## Mordaza vertical

**⚠ADVERTENCIA:** Sujete la pieza de trabajo firmemente contra la base giratoria y la guía lateral con la mordaza durante todas las operaciones. De lo contrario el material podrá moverse durante la operación de corte, causar daños al disco, y ser lanzado lo que puede resultar en la pérdida del control y heridas personales graves.

Instale la mordaza vertical bien en el lado izquierdo o bien en el derecho de la guía lateral. Inserte la barra de la mordaza en el agujero de la guía lateral y apriete el tornillo inferior para sujetar la barra de la mordaza.

► Fig.44: 1. Brazo de la mordaza 2. Pomo de la mordaza 3. Guía lateral 4. Base giratoria 5. Tornillo inferior 6. Tornillo superior 7. Barra de la mordaza

Posicione el brazo de la mordaza de acuerdo con el grosor y forma de la pieza de trabajo y sujete el brazo de la mordaza apretando el tornillo superior. Si el tornillo superior toca la guía lateral, instale el tornillo superior en el lado opuesto del brazo de la mordaza. Asegúrese de que ninguna parte de la herramienta hace contacto con la mordaza cuando baje la empuñadura completamente. Si alguna parte toca la mordaza, reposicione la mordaza. Presione la pieza de trabajo a ras contra la guía lateral y la base giratoria. Ponga la pieza de trabajo en la posición de corte deseada y sujétela firmemente apretando el pomo de la mordaza.

## Colocación de la correa de hombros

### Accesorio opcional

**⚠PRECAUCIÓN:** Asegúrese de retirar la correa de hombros antes de operar la herramienta. La correa de hombros puede enredarse y ocasionar heridas.

**⚠PRECAUCIÓN:** Asegúrese de colocar los ganchos de la correa de hombros en la herramienta firmemente. Si los ganchos están colocados de forma incompleta, se podrán caer y ocasionar heridas.

La correa de hombros resulta útil para transportar la herramienta. Coloque los ganchos de la correa de hombros en la herramienta como se muestra en la figura.

► Fig.45: 1. Correa de hombros 2. Gancho

## OPERACIÓN

Esta herramienta ha sido prevista para cortar productos de madera. Con discos genuinos de Makita apropiados, también se pueden serrar los materiales siguientes:

— Productos de aluminio

Consulte nuestro sitio web o póngase en contacto con el distribuidor Makita local para ver los discos de sierra circular correctos que hay que utilizar para el material que se va a cortar.

**⚠ADVERTENCIA:** Asegúrese de que el disco no está tocando la pieza de trabajo, etc., antes de activar el interruptor. El encender la herramienta con el disco haciendo contacto con la pieza de trabajo puede resultar en un retroceso brusco y heridas personales graves.

**⚠ADVERTENCIA:** Después de una operación de corte no suba el disco hasta que se haya parado completamente. La subida de un disco girando por inercia puede resultar en heridas personales graves y daños a la pieza de trabajo.

**⚠PRECAUCIÓN:** No libere el cabezal de la sierra de forma incontrolada desde la posición totalmente bajada. Sin control, el cabezal de la sierra podrá golpearle y resultará en heridas personales.

**AVISO:** Antes de utilizar, asegúrese de liberar la empuñadura de la posición bajada tirando del pasador de retención.

**AVISO:** No ejerza presión excesiva en la empuñadura cuando corte. Una fuerza excesiva podrá resultar en una sobrecarga del motor y/o reducir la eficacia de corte. Presione hacia abajo la empuñadura con la fuerza únicamente necesaria para cortar suavemente y sin reducir significativamente la velocidad del disco.

**AVISO:** Presione hacia abajo suavemente la empuñadura para realizar el corte. Si presiona la empuñadura hacia abajo con fuerza o si ejerce fuerza lateral, el disco podrá vibrar y dejar una marca (marca de sierra) en la pieza de trabajo y puede que la precisión del corte se vea afectada.

## Corte por presión (corte de piezas de trabajo pequeñas)

► Fig.46

Piezas de trabajo de hasta 46 mm de altura y 92 mm de anchura se pueden cortar de esta manera.

1. Sujete la pieza de trabajo con la mordaza.
2. Encienda la herramienta sin que el disco esté tocando nada y espere hasta que el disco alcance plena velocidad antes de bajarlo.
3. Baje suavemente la empuñadura hasta la posición totalmente bajada para cortar la pieza de trabajo.
4. Cuando haya completado el corte, apague la herramienta y espere hasta que el disco se haya parado completamente antes de devolver el disco a su posición completamente elevada.



## Corte en inglete

Consulte la sección para el ajuste del ángulo de inglete.

## Corte en bisel

**⚠ADVERTENCIA:** Después de ajustar el disco para un corte en bisel, antes de utilizar la herramienta asegúrese de que el cabezal de la sierra y el disco podrán desplazarse libremente a todo lo largo de rango del corte que piensa hacer. Una interrupción del desplazamiento del cabezal de la sierra o el disco durante la operación de corte puede resultar en un retroceso brusco y heridas personales graves.

**⚠ADVERTENCIA:** Mientras esté haciendo un corte en bisel mantenga las manos alejadas de la trayectoria del disco. El ángulo del disco puede confundir al operario sobre la trayectoria real del disco durante el corte y el contacto con el disco resultará en heridas personales graves.

**⚠ADVERTENCIA:** El disco no deberá ser subido hasta que se haya parado completamente. Durante un corte en bisel la pieza cortada podrá detenerse contra el disco. Si sube el disco mientras está girando, la pieza cortada podrá ser expulsada por el disco haciendo que el material se fragmente lo que puede resultar en heridas personales graves.

**⚠ADVERTENCIA:** Retire siempre la guía secundaria cuando realice cortes en bisel. En caso contrario podrán producirse heridas graves.

### ► Fig.47

1. Afloje la palanca e incline el disco para establecer el ángulo de bisel (consulte la sección "Ajuste del ángulo de bisel" explicada más atrás). Asegúrese de reapretar la palanca firmemente para sujetar de forma segura el ángulo de bisel seleccionado.
2. Sujete la pieza de trabajo con una mordaza.
3. Encienda la herramienta sin que el disco esté tocando nada y espere hasta que el disco alcance plena velocidad.
4. Baje con cuidado la empuñadura hasta la posición completamente bajada mientras aplica presión en dirección paralela al disco para cortar la pieza de trabajo.
5. Cuando haya completado el corte, apague la herramienta y espere hasta que el disco se haya parado completamente antes de devolver el disco a su posición completamente elevada.

**AVISO:** Cuando presione hacia abajo la empuñadura, aplique fuerza paralela al disco. Si la fuerza es aplicada perpendicularmente a la base giratoria o si se cambia la dirección de la presión durante el corte, la precisión de corte se deteriorará.

## Corte compuesto

El corte compuesto es el procedimiento en el que se hace un ángulo de bisel al mismo tiempo que se corta un ángulo de inglete en una pieza de trabajo. El corte compuesto se puede realizar a los ángulos mostrados en la tabla.

Ángulo de inglete	Ángulo de bisel
Izquierdo y derecho 45°	Izquierdo y derecho 0° - 45°
Derecho 52°	Izquierdo 20° - Derecho 45°
Izquierdo 52°	Izquierdo 45° - Derecho 20°

Cuando quiera realizar un corte compuesto, consulte las explicaciones de "Corte por presión", "Corte en inglete" y "Corte en bisel".

## Corte de extrusión de aluminio

- **Fig.48:** 1. Mordaza 2. Bloque espaciador 3. Guía lateral 4. Extrusión de aluminio 5. Bloque espaciador

Cuando sujete extrusiones de aluminio, utilice bloques espaciadores o piezas de desecho como se muestra en la figura para evitar la deformación del aluminio. Utilice un lubricante para cortar cuando corte extrusión de aluminio para evitar la acumulación de material de aluminio en el disco.

**⚠PRECAUCIÓN:** No intente nunca cortar extrusiones de aluminio gruesas o redondas. Las extrusiones de aluminio gruesas pueden aflojarse durante la operación y las extrusiones de aluminio redondas no se pueden sujetar firmemente con esta herramienta.

## Corte de longitudes repetitivas

Cuando vaya a cortar varias piezas de madera a la misma longitud, de entre 200 mm a 330 mm, utilice la placa de presión (accesorio opcional). Instale la placa de presión en el soporte (accesorio opcional) como se muestra en la figura.

- **Fig.49:** 1. Placa de presión 2. Soporte 3. Tornillo

Alinee la línea de corte de su pieza de trabajo con el lado izquierdo o derecho de la ranura en la placa de corte, y mientras sujeta la pieza de trabajo, mueva la placa de presión hasta ponerla a ras contra el extremo de la pieza de trabajo. Después sujete la placa de presión con el tornillo. Cuando no utilice la placa de presión, afloje el tornillo y gire la placa de presión para que no estorbe.

## Transporte de la herramienta

**⚠ADVERTENCIA:** El pasador de retención ha sido pensado solamente para transportar y almacenar la herramienta y no deberá ser utilizado nunca para ninguna operación de corte. La utilización del pasador de retención para operaciones de corte podrá ocasionar un movimiento inesperado del disco resultando en un retroceso brusco y heridas personales graves.

**⚠PRECAUCIÓN:** Sujete siempre todas las partes móviles antes de transportar la herramienta. Si algunas partes de la herramienta se mueven mientras está siendo transportada, podrá producirse una pérdida del control o del equilibrio, resultando en heridas personales.

1. Retire el cartucho de batería.
2. Sujete el disco a un ángulo de bisel de 0° y la base giratoria al ángulo de inglete recto completo.  
▶ **Fig.50:** 1. Base giratoria
3. Baje la empuñadura completamente y bloquéela en la posición bajada presionando hacia dentro el pasador de retención.
4. Transporte la herramienta agarrándola por la empuñadura.  
▶ **Fig.51**

## MANTENIMIENTO

**⚠ADVERTENCIA:** Asegúrese siempre de que el disco está afilado y limpio para obtener el mejor y más seguro rendimiento. El tratar de hacer un corte con un disco embotado y/o sucio puede ocasionar un retroceso brusco y resultar en heridas personales graves.

**⚠PRECAUCIÓN:** Asegúrese siempre de que la herramienta está apagada y de que el cartucho de batería está retirado antes de intentar hacer una inspección o mantenimiento.

**AVISO:** No utilice nunca gasolina, bencina, disolvente, alcohol o similares. Podría producir descoloración, deformación o grietas.

Para mantener la SEGURIDAD y FIABILIDAD del producto, las reparaciones, y cualquier otra tarea de mantenimiento o ajuste deberán ser realizadas en centros de servicio o de fábrica autorizados por Makita, empleando siempre repuestos Makita.

## Ajuste del ángulo de corte

Esta herramienta ha sido ajustada y alineada cuidadosamente en fábrica, pero un manejo brusco podrá haber afectado la alineación. Si su herramienta no está debidamente alineada, realice lo siguiente:

### Ángulo de inglete

1. Afloje el tornillo de fijación hacia la izquierda.
2. Gire la base giratoria hasta que el puntero indique 0° en la escala de inglete.  
▶ **Fig.52:** 1. Tornillo de fijación 2. Base giratoria 3. Escala de inglete 4. Puntero
3. Gire la base giratoria ligeramente hacia la derecha y hacia la izquierda para asentarla en la muesca de inglete de 0°. (Déjela tal como está si el puntero no indica 0°).
4. Afloje los pernos de cabeza hueca hexagonal que sujetan la guía lateral utilizando la llave hexagonal.  
▶ **Fig.53:** 1. Guía lateral 2. Perno de cabeza hueca hexagonal  
▶ **Fig.54:** 1. Guía lateral 2. Perno de cabeza hueca hexagonal

5. Baje la empuñadura completamente y bloquéela en la posición bajada presionando hacia dentro el pasador de retención.
6. Ajuste la guía lateral hasta que forme un ángulo perpendicular con el disco utilizando una escuadra, cartabón, etc. Después apriete firmemente el perno de cabeza hueca hexagonal de la guía lateral.  
▶ **Fig.55:** 1. Guía lateral 2. Escuadra 3. Disco
7. Asegúrese de que el puntero indica 0° en la escala de inglete. Si el puntero no indica 0°, afloje el tornillo que sujeta el puntero y ajuste el puntero de forma que indique 0°.  
▶ **Fig.56:** 1. Tornillo 2. Escala de inglete 3. Puntero

## Ángulo de bisel

### Ángulo de bisel de 0°

1. Baje la empuñadura completamente y bloquéela en la posición bajada presionando hacia dentro el pasador de retención.
2. Afloje la palanca de la parte trasera de la herramienta.
3. Gire el perno de ajuste del ángulo de bisel a 0° del lado derecho del cabezal de la sierra dos o tres vueltas hacia la izquierda para inclinar el disco hacia la derecha.  
▶ **Fig.57:** 1. Perno de ajuste 2. Palanca
4. Gire con cuidado hacia la derecha el perno de ajuste del ángulo de bisel a 0° hasta que la cara del disco forme un ángulo perpendicular con la superficie superior de la base giratoria. Utilice la escuadra, cartabón, etc., como guía. Después apriete la palanca firmemente.  
▶ **Fig.58:** 1. Escuadra 2. Disco 3. Superficie superior de la mesa giratoria

5. Asegúrese de que el puntero del brazo indica 0° en la escala de bisel. Si el puntero no indica 0°, afloje el tornillo que sujeta el puntero y ajuste el puntero de forma que indique 0°.  
▶ **Fig.59:** 1. Tornillo 2. Puntero 3. Escala de bisel

### Ángulo de bisel de 45°

Ajuste el ángulo de bisel de 45° solamente después de haber realizado el ajuste del ángulo de bisel de 0°.

1. Afloje la palanca e incline el disco completamente hacia la izquierda.
2. Asegúrese de que el puntero del brazo indica 45° en la escala de bisel. Si el puntero no indica 45°, gire el perno de ajuste del ángulo de bisel a 45° izquierdo del lado derecho del brazo hasta que el puntero indique 45°.  
▶ **Fig.60:** 1. Perno de ajuste del ángulo de bisel a 45° derecho 2. Puntero 3. Perno de ajuste del ángulo de bisel a 45° izquierdo
3. Incline el disco hacia la derecha completamente, y después ajuste el ángulo de bisel a 45° derecho utilizando el perno de ajuste del ángulo de bisel a 45° derecho.  
▶ **Fig.61:** 1. Disco 2. Escuadra

## Ajuste de la posición de la línea láser

**⚠ADVERTENCIA:** El cartucho de batería debe estar instalado en la herramienta mientras ajusta la línea láser. Tenga cuidado especial de no encender la herramienta durante el ajuste. Una puesta en marcha involuntaria de la herramienta puede resultar en heridas personales graves.

**⚠PRECAUCIÓN:** No mire nunca al haz de láser directamente. La exposición directa de los ojos al haz puede ocasionar daños graves a sus ojos.

**AVISO:** Compruebe la posición de la línea láser regularmente para mantener la precisión.

**AVISO:** Tenga cuidado de no someter la herramienta a impactos. Esto puede ocasionar que la línea láser se desalinee o daños al láser, acortando su vida de servicio.

**AVISO:** Haga que la herramienta sea reparada en un centro de servicio autorizado de Makita para cualquier fallo de la unidad de láser.

El rango móvil de la línea láser se decide con los tornillos de ajuste de rango de ambos lados. Realice los procedimientos siguientes para alterar la posición de la línea láser.

1. Retire el cartucho de batería.
2. Trace una línea de corte en la pieza de trabajo y póngala sobre la base giratoria. En este momento, no sujete la pieza de trabajo con una mordaza o dispositivo de sujeción similar.
3. Baje la empuñadura y alinee la línea de corte con el disco.  
► **Fig.62:** 1. Línea de corte
4. Devuelva la empuñadura a la posición original y sujete la pieza de trabajo con la mordaza vertical de forma que la pieza de trabajo no se mueva de la posición que usted ha determinado.  
► **Fig.63:** 1. Mordaza
5. Instale el cartucho de batería en la herramienta y active el interruptor del láser.
6. Afloje el tornillo de ajuste. Para alejar del disco la línea láser, gire el tornillo de ajuste de rango hacia la izquierda. Para acercar la línea láser al disco, gire el tornillo de ajuste de rango hacia la derecha.

### Ajuste de la línea láser en el lado izquierdo del disco

► **Fig.64:** 1. Tornillo de ajuste 2. Tornillo de ajuste de rango 3. Llave hexagonal 4. Línea láser 5. Disco

### Ajuste de la línea láser en el lado derecho del disco

► **Fig.65:** 1. Tornillo de ajuste de rango 2. Llave hexagonal 3. Línea láser 4. Disco

7. Deslice el tornillo de ajuste hasta la posición en que la línea láser queda sobre la línea de corte y después apriete.

**NOTA:** El rango móvil de la línea láser se ajusta en fábrica dentro de 1 mm de la superficie lateral del disco.

## Limpieza de la lente de la luz láser

La luz láser se vuelve difícil de ver a medida que la lente de la luz láser se ensucia. Limpie la lente de la luz láser periódicamente.

Retire el cartucho de batería. Afloje el tornillo y extraiga la lente. Limpie la lente con cuidado con un paño suave humedecido.

► **Fig.66:** 1. Tornillo

► **Fig.67:** 1. Lente

**AVISO:** No retire el tornillo que sujeta la lente. Si la lente no se puede extraer, afloje más el tornillo.

**AVISO:** No utilice disolventes ni ningún producto de limpieza a base de petróleo en la lente.

## Después de la utilización

Después de la utilización, limpie las virutas y el polvo adheridos a la herramienta con un paño o similar. Mantenga el protector de disco limpio de acuerdo con las indicaciones de la sección ya vista titulada "Protector de disco". Lubrique las partes deslizables con aceite para máquinas para evitar que se oxiden.

## ACCESORIOS OPCIONALES

**⚠ADVERTENCIA:** Estos accesorios o acoplamientos de Makita están recomendados para utilizar con su herramienta Makita especificada en este manual. La utilización de cualesquiera otros accesorios o acoplamientos puede resultar en heridas personales graves.

**⚠ADVERTENCIA:** Utilice el accesorio o acoplamiento Makita solamente para el propósito que ha sido diseñado. El uso indebido de un accesorio o acoplamiento puede resultar en heridas personales graves.

Si necesita cualquier ayuda para más detalles en relación con estos accesorios, pregunte al centro de servicio Makita local.

- Discos de carburo
- Conjunto de barra de soporte
- Placa de presión
- Correa de hombros
- Batería y cargador genuinos de Makita

**NOTA:** Algunos elementos de la lista podrán estar incluidos en el paquete de la herramienta como accesorios estándar. Pueden variar de un país a otro.

## ESPECIFICAÇÕES

Modelo:	<b>DL5600</b>
Diâmetro da lâmina	165 mm
Diâmetro do orifício (suporte)	20 mm
Ângulo de esquadria máx.	Esquerdo 52°, direito 52°
Ângulo de bisel máx.	Esquerda 45° (46° quando utilizar a alavanca de libertação), Direita 45° (46° quando utilizar a alavanca de libertação)
Velocidade sem carga	5.000 min <sup>-1</sup>
Tipo de laser	Laser vermelho 650 nm, saída máxima < 1,6 m W (Classe de laser 2M)
Dimensões (C x L x A)	340 mm x 400 mm x 440 mm
Tensão nominal	CC 18 V
Peso líquido	6,3 - 6,6 kg

### Capacidades de corte (A x L) máx. com lâmina de 165 mm

Ângulo de esquadria	Ângulo de bisel		
	45° (esquerdo)	0°	45° (direito)
0°	30 mm x 92 mm	46 mm x 92 mm	15 mm x 92 mm
45° (esquerdo e direito)	30 mm x 65 mm	46 mm x 65 mm	15 mm x 65 mm

- Devido a um programa contínuo de pesquisa e desenvolvimento, estas especificações estão sujeitas a alteração sem aviso prévio.
- As especificações e a bateria podem variar de país para país.
- O peso poderá diferir em função do acessório(s), incluindo a bateria. A combinação mais leve e mais pesada, de acordo com o Procedimento EPTA 01/2014, é apresentada na tabela.

### Bateria e carregador aplicável

Bateria	BL1815N / BL1820B / BL1830B / BL1840B / BL1850B / BL1860B
Carregador	DC18RC / DC18RD / DC18RE / DC18SD / DC18SE / DC18SF / DC18SH

- Algumas das baterias e carregadores listados acima poderão não estar disponíveis, dependendo da sua região de residência.

**AVISO:** Utilize apenas as baterias e carregadores listados acima. A utilização de quaisquer outras baterias e carregadores pode causar ferimentos e/ou um incêndio.

### Símbolos

A seguir são apresentados os símbolos que podem ser utilizados para o equipamento. Certifique-se de que compreende o seu significado antes da utilização.

	Leia o manual de instruções.
	Use óculos de segurança.
	Para evitar ferimentos provocados por resíduos soltos, mantenha a cabeça da serra virada para baixo, depois de realizar cortes, até a lâmina ficar completamente parada.
	Não coloque a mão ou os dedos perto da lâmina.



Nunca olhe diretamente para o feixe do laser. O feixe do laser direto poderá ferir os seus olhos.



Ni-MH  
Li-ion

Apenas para países da UE  
Devido à presença de componentes perigosos no equipamento, os resíduos de equipamentos elétricos e eletrônicos, acumuladores e baterias podem ter um impacto negativo no meio ambiente e na saúde humana. Não elimine aparelhos elétricos e eletrônicos ou baterias juntamente com resíduos domésticos! De acordo com a Diretiva europeia relativa aos resíduos de equipamentos elétricos e eletrônicos, acumuladores e baterias, bem como a respetiva adaptação à legislação nacional, os resíduos de equipamentos elétricos e eletrônicos, acumuladores e baterias devem ser armazenados separadamente e entregues num ponto de recolha separado para resíduos municipais, que opere de acordo com os regulamentos de proteção ambiental. Tal é indicado pelo símbolo de conteúdo de lixo com rodas barrado com uma cruz colocado no equipamento.

## Fins a que se destina

Esta ferramenta destina-se a realizar cortes de precisão, retos e de meia esquadria, em madeira. Utilize a serra apenas para cortar madeira, alumínio ou materiais similares.

## Ruído

A característica do nível de ruído A determinado de acordo com a EN62841-3-9:

Nível de pressão acústica ( $L_{pA}$ ): 90 dB (A)

Nível de potência acústica ( $L_{WA}$ ): 97 dB (A)

Variabilidade (K): 3 dB (A)

**NOTA:** O(s) valor(es) da emissão de ruído indicado(s) foi medido de acordo com um método de teste padrão e pode ser utilizado para comparar duas ferramentas.

**NOTA:** O(s) valor(es) da emissão de ruído indicado(s) pode também ser utilizado na avaliação preliminar da exposição.

**AVISO:** Utilize protetores auriculares.

**AVISO:** A emissão de ruído durante a utilização real da ferramenta elétrica pode diferir do(s) valor(es) indicado(s), dependendo das formas como a ferramenta é utilizada, especialmente o tipo de peça de trabalho que é processada.

**AVISO:** Certifique-se de identificar as medidas de segurança para proteção do operador que sejam baseadas em uma estimativa de exposição em condições reais de utilização (considerando todas as partes do ciclo de operação, tal como quando a ferramenta está desligada e quando está a funcionar em marcha lenta além do tempo de acionamento).

## Vibração

Valor total da vibração (soma vetorial tri-axial) determinado de acordo com a EN62841-3-9:

Emissão de vibração ( $a_h$ ): 2,5 m/s<sup>2</sup> ou menos

Variabilidade (K): 1,5 m/s<sup>2</sup>

**NOTA:** O(s) valor(es) total(ais) de vibração indicado(s) foi medido de acordo com um método de teste padrão e pode ser utilizado para comparar duas ferramentas.

**NOTA:** O(s) valor(es) total(ais) de vibração indicado(s) pode também ser utilizado na avaliação preliminar da exposição.

**AVISO:** A emissão de vibração durante a utilização real da ferramenta elétrica pode diferir do(s) valor(es) indicado(s), dependendo das formas como a ferramenta é utilizada, especialmente o tipo de peça de trabalho que é processada.

**AVISO:** Certifique-se de identificar as medidas de segurança para proteção do operador que sejam baseadas em uma estimativa de exposição em condições reais de utilização (considerando todas as partes do ciclo de operação, tal como quando a ferramenta está desligada e quando está a funcionar em marcha lenta além do tempo de acionamento).

## Declaração de conformidade da CE

### Apenas para os países europeus

A declaração de conformidade da CE está incluída como Anexo A neste manual de instruções.

## AVISOS DE SEGURANÇA

### Avisos gerais de segurança para ferramentas elétricas

**AVISO:** Leia todos os avisos de segurança, instruções, ilustrações e especificações fornecidos com esta ferramenta elétrica. O não cumprimento de todas as instruções indicadas em baixo pode resultar em choque elétrico, incêndio e/ou ferimentos graves.

### Guarde todos os avisos e instruções para futuras referências.

O termo "ferramenta elétrica" nos avisos refere-se às ferramentas elétricas ligadas à corrente elétrica (com cabo) ou às ferramentas elétricas operadas por meio de bateria (sem cabo).

### Instruções de segurança para serras de esquadria

1. As serras de esquadria destinam-se a cortar madeira ou produtos semelhantes a madeira, não podem ser utilizadas com rodas de corte abrasivas para cortar material ferroso, tal como barras, varões, pinos, etc. A poeira abrasiva provoca o encravamento de peças móveis, tais como o resguardo inferior. As faíscas do corte abrasivo queimam o resguardo inferior, a inserção de corte e outras peças de plástico.
2. Utilize braçadeiras para apoiar a peça de trabalho sempre que possível. Se apoiar a peça de trabalho manualmente, deve manter sempre as mãos afastadas pelo menos 100 mm de cada lado da lâmina de serra. Não utilize esta serra para cortar peças demasiado pequenas para serem apertadas ou seguras à mão. Se a sua mão estiver colocada demasiado próxima da lâmina de serra, existe um maior risco de lesão devido ao contacto com a lâmina.
3. A peça de trabalho deve estar fixa e apertada ou segura contra a placa e a mesa. Não alimamente a peça de trabalho na lâmina nem corte "com as mãos livres" em qualquer direção. As peças sem fixação ou móveis podem ser projetadas a altas velocidades, causando ferimentos.
4. Nunca cruze a sua mão sobre a linha de corte pretendida, tanto à frente como atrás da lâmina de serra. Apoiar a peça de trabalho "com as mãos cruzadas", isto é, segurando a peça de trabalho do lado direito da lâmina de serra com a mão esquerda ou vice versa é muito perigoso.

► Fig.1

5. **Não tente chegar mais próximo do que 100 mm por trás da placa com as duas mãos a partir dos dois lados da lâmina de serra para remover restos de madeira ou por qualquer outro motivo enquanto a lâmina estiver a rodar.** A proximidade da lâmina de serra em rotação em relação à sua mão poderá não ser óbvia e poderá sofrer lesões graves.
  6. **Inspeccione a sua peça de trabalho antes de realizar o corte. Se a peça de trabalho for encurvada ou deformada, aperte-a com a face encurvada exterior virada para a placa. Certifique-se sempre de que não existe nenhuma lacuna entre a peça de trabalho, a placa e a mesa ao longo da linha de corte.** As peças de trabalho encurvadas ou deformadas podem torcer ou deslocar-se e causar emperramento na lâmina de serra em rotação durante o corte. A peça de trabalho não deve ter pregos ou objetos estranhos.
  7. **Não utilize a serra até que a mesa esteja desimpedida de todas as ferramentas, restos de madeira, etc., exceto da peça de trabalho.** Os pequenos resíduos ou pedaços soltos de madeira ou outros objetos que estabeleçam contacto com a lâmina em rotação podem ser projetados a alta velocidade.
  8. **Corte apenas uma peça de trabalho de cada vez.** As peças de trabalho múltiplas empilhadas não podem ser apertadas ou fixadas adequadamente e podem prender na lâmina ou deslocar-se durante o corte.
  9. **Assegure que a serra de esquadria está montada ou colocada numa superfície de trabalho nivelada e firme antes de ser utilizada.** Uma superfície de trabalho nivelada e firme reduz o risco de a serra de esquadria se tornar instável.
  10. **Planeie o seu trabalho. Cada vez que altera a definição do ângulo de bisel e do ângulo de esquadria, certifique-se de que a placa ajustável está corretamente definida para apoiar a peça de trabalho e que não interfere com a lâmina ou o sistema de resguardo.** Sem “LIGAR” a ferramenta e sem qualquer peça de trabalho na mesa, mova a lâmina de serra através de um corte simulado completo, de modo a assegurar que não haverá interferência ou perigo de corte da placa.
  11. **Assegure um apoio adequado, tal como extensões da mesa, cavaletes, etc. para uma peça de trabalho que é mais ampla ou mais comprida do que o topo da mesa.** As peças de trabalho mais compridas ou mais amplas do que a mesa da serra de esquadria podem virar se não estiverem apoiadas em segurança. Se a peça cortada ou a peça de trabalho virarem, estas podem levantar o resguardo inferior ou serem projetadas pela lâmina em rotação.
  12. **Não utilize outra pessoa como substituição de uma extensão de mesa ou um suporte adicional.** O apoio instável para a peça de trabalho pode fazer com que a lâmina fique presa ou a peça de trabalho se desloque durante a operação de corte, puxando-o a si e ao seu assistente na direção da lâmina em rotação.
  13. **A peça de corte não deve estar encravada ou ser pressionada por qualquer meio contra a lâmina de serra em rotação.** Se estiver limitada, isto é, utilizando batentes de comprimento, a peça de corte pode ficar entalada contra a lâmina e ser projetada com violência.
  14. **Utilize sempre uma braçadeira ou uma fixação concebida para apoiar adequadamente material redondo, tal como varões ou tubagens.** Os varões têm tendência de se enrolar enquanto são cortados, fazendo com que a lâmina “morda” e puxe a peça de trabalho com a sua mão para a lâmina.
  15. **Aguarde que o disco atinja a velocidade máxima antes de estabelecer contacto com a peça de trabalho.** Isto reduz o risco de projeção da peça de trabalho.
  16. **Se a peça de trabalho ou a lâmina ficar encravada, desligue a serra de esquadria. Aguarde que todas as peças móveis parem e desligue a ficha da fonte de alimentação e/ou remova a bateria. Em seguida, trabalhe para soltar o material encravado.** A serração contínua com uma peça de trabalho encravada pode causar a perda de controlo ou danos na serra de esquadria.
  17. **Após concluir o corte, solte o interruptor, segure a cabeça da serra para baixo e aguarde que a lâmina pare antes de remover a peça de corte.** É perigoso tentar alcançar a lâmina com a mão enquanto esta está a rodar por inércia.
  18. **Segure firmemente na pega quando realizar um corte incompleto ou quando soltar o interruptor antes de a cabeça da serra estar completamente na posição inferior.** A ação de travagem da serra pode fazer com que a cabeça da serra seja subitamente puxada para baixo, causando o risco de lesão.
  19. **Utilize a lâmina de serra apenas com o diâmetro que está marcado na ferramenta ou especificado no manual.** A utilização de uma lâmina de tamanho incorreto pode afetar a proteção adequada da lâmina ou o funcionamento do resguardo, resultando em ferimentos pessoais graves.
  20. **Apenas use lâminas de serra marcadas com uma velocidade igual ou superior à velocidade marcada na ferramenta.**
  21. **Utilize a serra apenas para cortar madeira, alumínio ou materiais similares.**
  22. **(Apenas para países europeus) Utilize sempre a lâmina que possui conformidade com a norma EN847-1.**
- Instruções adicionais**
1. **Feche a oficina com cadeados para segurança das crianças.**
  2. **Nunca se coloque sobre a ferramenta.** Podem ocorrer lesões graves se a ferramenta virar ou se estabelecer contacto inadvertidamente com a ferramenta de corte.
  3. **Nunca deixa a ferramenta ligada sem supervisão. Desligue a ferramenta. Não deixe a ferramenta sem supervisão antes de estar completamente parada.**



4. Não utilize a serra sem os resguardos montados. Verifique se o resguardo da lâmina se encontra devidamente fechado antes de cada utilização. Não trabalhe com a serra se o resguardo da lâmina não se movimentar livremente e fechar instantaneamente. Nunca fixe nem prenda o resguardo da lâmina em posição aberta.
5. Mantenha as mãos afastadas da parte cortante da lâmina da serra. Evite tocar na lâmina quando esta rodar por inércia. Mesmo assim, esta pode provocar lesões.
6. Fixe sempre os componentes móveis antes de proceder ao transporte da ferramenta.
7. O pino de bloqueio que bloqueia a cabeça de corte é só para fins de transporte e armazenagem e não para operação de corte.
8. Verifique a lâmina com cuidado quanto a rachaduras ou danos antes da utilização. Substitua imediatamente a lâmina rachada ou danificada. A pastilha e o passo da madeira endurecidos nas lâminas torna a serra lenta e aumenta o potencial de contragolpe. Mantenha a lâmina limpa, removendo-a primeiramente da ferramenta e, em seguida, limpando-a com removedor de pastilha e de passo, água quente ou querosene. Nunca utilize gasolina para limpar a lâmina.
9. Utilize exclusivamente as flanges especificadas para esta ferramenta.
10. Tenha cuidado para não danificar o eixo, as flanges (especialmente a superfície de instalação) ou o perno. Os danos nestes componentes podem provocar a fratura da lâmina.
11. Certifique-se de que a base giratória está bem fixa, de modo a que não se movimente durante a operação. Utilize os furos na base para apertar a serra a uma plataforma de trabalho estável ou bancada. **NUNCA** utilize a ferramenta no caso em que o posicionamento do operador fosse considerado estranho.
12. Certifique-se de que soltou o travão do eixo antes de ligar o interruptor.
13. Certifique-se de que, na posição mais baixa, a lâmina não fica em contacto com a base giratória.
14. Agarre na pega com firmeza. Tenha em conta que a serra se movimenta um pouco para cima e para baixo, durante o arranque e a paragem da ferramenta.
15. Verifique se a lâmina não está em contacto com a peça a trabalhar antes de ligar o interruptor.
16. Antes de utilizar a ferramenta na peça a trabalhar, deixe-a funcionar em vazio durante algum tempo. Verifique se existem vibrações ou movimento irregular que possam indicar má instalação ou desequilíbrio da lâmina.
17. Pare a ferramenta de imediato se notar algo no funcionamento que não seja normal.
18. Não tente bloquear o gatilho na posição de ligado.
19. Utilize sempre os acessórios recomendados neste manual. A utilização de acessórios inadequados tais como rodas abrasivas podem dar origem a lesões.
20. Algum material contém produtos químicos que podem ser tóxicos. Tenha cuidado para evitar a inalação de poeira e o contacto com a pele. Respeite os dados de segurança do fornecedor do material.

Normas de segurança adicionais para o laser

1. **RADIAÇÃO DO LASER, NÃO OLHAR FIXAMENTE PARA O FEIXE OU VISUALIZAR DIRETAMENTE COM INSTRUMENTOS ÓTICOS, PRODUTO DE LASER CLASSE 2M.**

## GUARDE ESTAS INSTRUÇÕES.

**⚠️ AVISO:** NÃO permita que o conforto ou familiaridade com o produto (adquirido com o uso repetido) substitua o cumprimento estrito das regras de segurança da ferramenta. A **MÁ INTERPRETAÇÃO** ou o não seguimento das regras de segurança estabelecidas neste manual de instruções pode provocar ferimentos pessoais graves.

## Instruções de segurança importantes para a bateria

1. Antes de utilizar a bateria, leia todas as instruções e etiquetas de precaução no (1) carregador de bateria (2) bateria e (3) produto que utiliza a bateria.
2. Não desmonte ou manipule a bateria. Pode resultar num incêndio, em calor excessivo ou numa explosão.
3. Se o tempo de funcionamento se tornar excessivamente curto, pare o funcionamento imediatamente. Pode resultar em sobreaquecimento, possíveis queimaduras e mesmo explosão.
4. Se entrar eletrólito nos seus olhos, lave-os com água e consulte imediatamente um médico. Pode resultar em perda de visão.
5. Não coloque a bateria em curto-circuito:
  - (1) Não toque nos terminais com qualquer material condutor.
  - (2) Evite guardar a bateria juntamente com outros objetos metálicos tais como pregos, moedas, etc.
  - (3) Não exponha a bateria à água ou chuva. Um curto-circuito pode ocasionar um enorme fluxo de corrente, sobreaquecimento, possíveis queimaduras e mesmo estragar-se.
6. Não guarde nem utilize a ferramenta e a bateria em locais onde a temperatura pode atingir ou exceder 50 °C.
7. Não queime a bateria mesmo que esteja estragada ou completamente gasta. A bateria pode explodir no fogo.
8. Não pregue, corte, esmague, atire, deixe cair a bateria, nem bata a bateria contra um objeto rijo. Esta conduta pode resultar num incêndio, em calor excessivo ou numa explosão.
9. Não utilize uma bateria danificada.



10. **As baterias de íões de lítio contidas na ferramenta são sujeitas aos requisitos da DGL (Dangerous Goods Legislation - Legislação de bens perigosos).**  
Para o transporte comercial, por exemplo, por terceiros ou agentes de expedição, têm de ser observados os requisitos referentes à embalagem e etiquetagem.  
Para preparação do artigo a ser expedido, é necessário consultar um perito em materiais perigosos. Tenha ainda em conta a possibilidade de existirem regulamentos nacionais mais detalhados.  
Coloque fita-cola ou tape os contactos abertos e embale a bateria de tal forma que não possa mover-se dentro da embalagem.
11. **Quando eliminar a bateria, remova-a da ferramenta e elimine-a num local seguro. Siga os regulamentos locais relacionados com a eliminação de baterias.**
12. **Utilize as baterias apenas com os produtos especificados pela Makita.** Instalar as baterias em produtos não-conformes poderá resultar num incêndio, calor excessivo, explosão ou fuga de eletrólito.
13. **Se a ferramenta não for utilizada durante um período de tempo prolongado, a bateria deve ser removida da ferramenta.**
14. **Durante e após a utilização, a bateria pode aquecer, o que pode provocar queimaduras ou queimaduras a baixa temperatura. Preste atenção ao manuseamento de baterias quentes.**
15. **Não toque no terminal da ferramenta imediatamente após a utilização, pois pode ficar suficientemente quente para provocar queimaduras.**
16. **Não permita a adesão de aparas, pó ou sujidade nos terminais, nos orifícios e nas ranhuras da bateria.** Poderá fazer com que a ferramenta ou a bateria aqueça, incendeie, rebente e avarie, resultando em queimaduras ou ferimentos corporais.
17. **A menos que a ferramenta suporte a utilização perto de linhas elétricas de alta tensão, não utilize a bateria perto de linhas elétricas de alta tensão.** Pode resultar no mau funcionamento ou na avaria da ferramenta ou bateria.
18. **Mantenha a bateria afastada das crianças.**

## GUARDE ESTAS INSTRUÇÕES.

**⚠️PRECAUÇÃO:** Utilize apenas baterias genuínas da Makita. A utilização de baterias não genuínas da Makita ou de baterias que foram alteradas, pode resultar no rebentamento da bateria provocando incêndios, ferimentos pessoais e danos. Além disso, anulará da garantia da Makita no que se refere à ferramenta e ao carregador Makita.

## Conselhos para manter a máxima vida útil da bateria

1. **Carregue a bateria antes que esteja completamente descarregada. Pare sempre o funcionamento da ferramenta e carregue a bateria quando notar menos poder na ferramenta.**
2. **Nunca carregue uma bateria completamente carregada. Carregamento excessivo diminui a vida útil da bateria.**
3. **Carregue a bateria à temperatura ambiente de 10 °C – 40 °C. Deixe que uma bateria quente arrefeça antes de a carregar.**
4. **Quando não utilizar a bateria, remova-a da ferramenta ou do carregador.**
5. **Carregue a bateria se não a utilizar durante um longo período de tempo (mais de seis meses).**

## DESCRIÇÃO DAS PEÇAS

► Fig.2

1	Botão de segurança	2	Gatilho	3	Pega	4	Caixa da lâmina
5	Lâmina	6	Resguardo da lâmina	7	Sub-guia	8	Sub-guia pequena
9	Base	10	Base giratória	11	Placa guia	12	Torno vertical
13	Saco do pó	14	Bocal do pó	15	Cobertura central	-	-

► Fig.3

16	Lâmpada	17	Bateria	18	Chave hexagonal	19	Alavanca de libertação
20	Alavanca (para ajuste do ângulo de bisel)	21	Placa de corte	22	Perno de regulação do limite inferior	23	Interruptor da lâmpada
24	Interruptor do laser	-	-	-	-	-	-

# INSTALAÇÃO

## Montagem da bancada

**⚠️ AVISO:** Certifique-se de que a ferramenta não se move na superfície de suporte. O movimento da serra de esquadria sobre a superfície de suporte durante o corte pode resultar em perda de controlo e provocar ferimentos pessoais graves.

1. Fixe a base numa superfície nivelada e estável, aparafusando com dois parafusos. Isto ajuda a evitar que tombe e a evitar possíveis ferimentos.

► Fig.4: 1. Perno

# DESCRIÇÃO FUNCIONAL

**⚠️ AVISO:** Certifique-se sempre de que a ferramenta esteja desligada e a bateria retirada antes de regular ou inspecionar qualquer função da ferramenta. Se não desligar a ferramenta e retirar a bateria pode provocar o arranque acidental e resultar em ferimentos pessoais graves.

## Instalação ou remoção da bateria

**⚠️ PRECAUÇÃO:** Desligue sempre a ferramenta antes de colocar ou retirar a bateria.

**⚠️ PRECAUÇÃO:** Segure firmemente a ferramenta e a bateria quando instalar ou remover a bateria. Se não segurar firmemente a ferramenta e a bateria pode fazer com que escorreguem das suas mãos resultando em danos na ferramenta e na bateria e ferimentos pessoais.

► Fig.5: 1. Indicador vermelho 2. Botão 3. Bateria

Para retirar a bateria, deslize-a para fora da ferramenta enquanto desliza o botão na frente da bateria.

Para instalar a bateria, alinhe a lingueta da bateria com a ranhura no compartimento e deslize-a no lugar. Empurre-a até o fim para que a mesma encaixe no lugar com um clique. Se puder ver a parte vermelha no lado superior do botão, significa que não está completamente bloqueada.

**⚠️ PRECAUÇÃO:** Instale sempre a bateria até ao fim, até deixar de ver o indicador vermelho.

Caso contrário, a bateria poderá cair da ferramenta acidentalmente e provocar ferimentos em si mesmo ou em alguém próximo.

**⚠️ PRECAUÇÃO:** Não instale a bateria à força. Se a bateria não deslizar facilmente é porque não foi colocada corretamente.

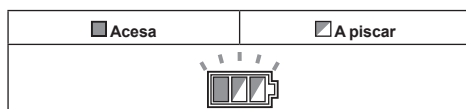
# Sistema de proteção da ferramenta/bateria

A ferramenta está equipada com um sistema de proteção da ferramenta/bateria. Este sistema corta automaticamente a corrente para o motor para aumentar a vida da ferramenta e da bateria. A ferramenta para automaticamente durante o funcionamento se a ferramenta ou bateria for colocada mediante uma das seguintes condições:

## Proteção contra sobrecarga

Quando a ferramenta é utilizada de tal forma que puxa uma corrente demasiado elevada, a ferramenta para automaticamente sem qualquer indicação. Nesta situação, desligue a ferramenta e pare a aplicação que provocou a sobrecarga da ferramenta. Depois, volte a ligar a ferramenta para voltar ao trabalho.

## Proteção contra sobreaquecimento



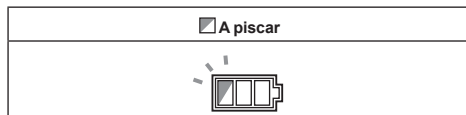
Quando a ferramenta está sobreaquecida, a ferramenta para automaticamente e o indicador da bateria pisca durante cerca de 60 segundos. Nesse caso, aguarde até a ferramenta arrefecer antes de a ligar outra vez.

## Proteção contra descarga excessiva

Quando a capacidade da bateria é baixa, a ferramenta para automaticamente. Se o produto não funcionar mesmo quando os interruptores são acionados, retire as baterias da ferramenta e carregue-as.

## Cancelar o bloqueio através do sistema de proteção

Se o sistema de proteção for ativado repetidamente, a ferramenta é bloqueada e o indicador da bateria pisca.



Neste caso, desligue o interruptor e elimine a causa que estiver a ativar o sistema de proteção e ligue-o novamente. Se a ferramenta não funcionar após ligar novamente o interruptor, retire a bateria e carregue-a.

## Indicação da capacidade restante da bateria

► Fig.6: 1. Indicador da bateria

Quando puxa o gatilho do interruptor, o indicador da bateria indica a capacidade restante da bateria.

Estado dos indicadores da bateria			Capacidade restante da bateria
Aceso	Apagado	A piscar	
			50% a 100%
			20% a 50%
			0% a 20%
			Carregar a bateria

## Indicação da capacidade restante da bateria

Apenas para baterias com indicador

► Fig.7: 1. Luzes indicadoras 2. Botão de verificação

Prima o botão de verificação na bateria para indicar a capacidade restante da bateria. As luzes indicadoras acendem durante alguns segundos.

Luzes indicadoras			Capacidade restante
Aceso	Apagado	A piscar	
			75% a 100%
			50% a 75%
			25% a 50%
			0% a 25%
			Carregar a bateria.
			A bateria pode estar avariada.

**NOTA:** Dependendo das condições de utilização e da temperatura ambiente, a indicação pode ser ligeiramente diferente da capacidade real.

**NOTA:** A primeira luz indicadora (extremo esquerdo) pisca quando o sistema de proteção da bateria funciona.

## Função de mudança de velocidade automática

► Fig.8: 1. Indicador de modo

Estado do indicador de modo	Modo de funcionamento
	Modo de alta velocidade
	Modo de binário elevado

Esta ferramenta tem um "modo de alta velocidade" e um "modo de binário elevado". Muda automaticamente o modo de operação dependendo da carga de trabalho. Quando o indicador de modo acende durante a operação, a ferramenta está em modo de binário elevado.

## Pino de bloqueio

**PRECAUÇÃO:** Segure sempre na pega quando libertar o pino de bloqueio. Caso contrário, a pega salta para cima e pode resultar em ferimentos pessoais.

Para libertar o pino de bloqueio, mantenha pressão na pega ligeiramente para baixo e puxe o pino de bloqueio.

► Fig.9: 1. Pino de bloqueio

## Resguardo da lâmina

**AVISO:** Nunca estrague ou retire o resguardo da lâmina ou o dispositivo de mola que prende o resguardo. Se retirar o resguardo de segurança, a lâmina exposta pode provocar ferimentos pessoais graves durante o funcionamento.

**AVISO:** Nunca utilize a ferramenta se o resguardo da lâmina ou o dispositivo de mola estiverem danificados, avariados ou não estiverem montados. O funcionamento da ferramenta com um resguardo de segurança danificado, avariado ou retirado pode provocar ferimentos pessoais graves.

**PRECAUÇÃO:** Mantenha sempre o resguardo da lâmina em boas condições para funcionamento seguro. Pare a operação imediatamente se existirem irregularidades no resguardo da lâmina. Verifique para se assegurar que o retorno do resguardo com a mola funciona bem.

► Fig.10: 1. Resguardo da lâmina

Ao descer a pega, o resguardo da lâmina sobe automaticamente. O resguardo dispõe de um dispositivo de mola pelo que volta à posição original depois de concluído o corte e quando se ergue a pega.

**Limpeza**

► Fig.11: 1. Resguardo da lâmina

Se o resguardo da lâmina transparente ficar sujo ou partículas de pó aderirem de modo que a lâmina e/ou a peça de trabalho deixem de ser facilmente visíveis, retire a bateria e limpe cuidadosamente o resguardo com um pano húmido. Não utilize solventes ou produtos de limpeza à base de petróleo no resguardo de segurança em plástico, pois esses podem danificá-lo.

Para limpeza, levante o resguardo da lâmina consultando "Instalar ou retirar a lâmina da serra".

Após a limpeza, certifique-se de que volta a instalar a lâmina e a cobertura central e que aperta o perno de encaixe hexagonal.

1. Certifique-se que a ferramenta está desligada e que as baterias foram removidas.
2. Rode o perno de encaixe hexagonal para a esquerda utilizando a chave hexagonal fornecida para segurar a cobertura central.
3. Levante o resguardo da lâmina e a cobertura central.
4. Quando a limpeza estiver concluída, volte a colocar a cobertura central e aperte o perno de encaixe hexagonal realizando os passos indicados acima pela ordem inversa.

**⚠️ AVISO:** Não retire a mola que prende o resguardo da lâmina. Se o resguardo ficar danificado com o decorrer do tempo ou pela ação dos raios UV, contacte um centro de assistência Makita para substituição. **NÃO FORCE NEM DESMONTE O RESGUARDO.**

## Posicionar a placa de corte

Esta ferramenta é fornecida com placas de corte na base giratória para minimizar a produção de estilhaços no lado de saída de um corte. As placas de corte foram reguladas na fábrica de modo a que a lâmina da serra não toque nas placas de corte. Antes da utilização regule as placas de corte como se segue:

1. Certifique-se de que remove a bateria. Depois, desaperte todos os parafusos (2 em cada lado esquerdo e direito) que prendem as placas de corte.  
▶ **Fig.12:** 1. Placa de corte 2. Parafuso
  2. Volte a apertá-los de modo que as placas de corte sejam facilmente movimentadas com a mão.
  3. Desça completamente a pega e empurre o pino de bloqueio para bloquear a pega na posição inferior.
  4. Regule as placas de corte de modo a que contactem ligeiramente os lados dos dentes da lâmina.  
▶ **Fig.13**
- ▶ **Fig.14:** 1. Lâmina da serra 2. Dentes da lâmina  
3. Placa de corte 4. Corte de bisel à esquerda 5. Corte direito
5. Aperte os parafusos (não aperte demasiado).
  6. Depois de regular as placas de corte, solte o pino de bloqueio e levante a pega. Em seguida aperte todos os parafusos firmemente.

**OBSERVAÇÃO:** Depois de regular o ângulo de bisel, certifique-se de que as placas de corte estejam ajustadas corretamente. O ajuste correto das placas de corte ajuda a proporcionar um suporte adequado à peça de trabalho, minimizando o desgaste da peça de trabalho.

## Manter a máxima capacidade de corte

Esta ferramenta foi regulada na fábrica para fornecer a máxima capacidade de corte para uma lâmina da serra de 165 mm.

Quando instala uma nova lâmina, verifique sempre a posição limite inferior da lâmina e, se necessário, regule como se segue:

1. Retire a bateria. Baixe completamente a pega.
2. Utilize a chave hexagonal para rodar o perno de regulação do limite inferior até a lâmina da serra entrar ligeiramente abaixo da secção de corte da placa guia da superfície superior da base giratória.

▶ **Fig.15:** 1. Perno de regulação

▶ **Fig.16:** 1. Placa guia

3. Rode a lâmina com a mão enquanto agarra na pega completamente para baixo para se certificar que a lâmina não contacta qualquer parte da base inferior. Reajuste ligeiramente, se necessário.

**⚠️ AVISO:** Depois de instalar uma lâmina nova, certifique-se sempre, com a bateria retirada, de que a lâmina não toca em nenhuma parte da base inferior quando a pega se encontra totalmente abaixada. Se a lâmina entrar em contacto com a base, pode ocorrer um contragolpe e provocar ferimentos pessoais graves.

▶ **Fig.17**

## Sub-guia

### Específico para o país

Esta ferramenta está equipada com uma sub-guia e com sub-guias pequenas.

## Sub-guia

**⚠️ AVISO:** Remova sempre a sub-guia quando realizar cortes de bisel. O não cumprimento desta indicação pode provocar ferimentos graves.

▶ **Fig.18:** 1. Sub-guia

Quando realizar cortes, exceto no caso dos cortes de bisel, utilize a sub-guia para suportar a peça de trabalho.

## Sub-guia pequena

**⚠️ PRECAUÇÃO:** Quando realizar cortes de bisel para a direita, dobre as sub-guias pequenas. Caso contrário, estas podem entrar em contacto com a lâmina ou com uma parte da ferramenta e poderão causar ferimentos graves no operador.

▶ **Fig.19:** 1. Sub-guia pequena 2. Escala

Quando realizar cortes verticais ou em bisel para a esquerda, vire-os para cima para suportar a peça de trabalho. A placa guia possui uma escala de 10 mm de intervalo.

## Regulação do ângulo de esquadria

- **Fig.20:** 1. Parafuso de fixação 2. Base giratória  
3. Escala de esquadria 4. Ponteiro

1. Desaperte o parafuso de fixação, rodando-o para a esquerda.
2. Ajuste o ângulo da base giratória. Utilize o ponteiro e a escala da esquadria como guia.
3. Aperte o parafuso de fixação firmemente, rodando-o para a direita.

**⚠PRECAUÇÃO:** Após mudar o ângulo de esquadria, fixe sempre a base giratória ao apertar o parafuso de fixação firmemente.

**OBSERVAÇÃO:** Ao fazer rodar a base giratória, certifique-se de que levanta a pega totalmente.

## Regulação do ângulo de bisel

Para ajustar o ângulo de bisel, rode a alavanca na parte traseira da ferramenta para baixo.

- **Fig.21:** 1. Alavanca

Para inclinar a lâmina para a esquerda, mantenha a pega e incline a cabeça da serra. Utilize a escala de bisel e o ponteiro como guias. Em seguida, vire a alavanca para cima firmemente para prender a cabeça da serra.

- **Fig.22:** 1. Ponteiro 2. Escala de bisel

Para inclinar a lâmina para a direita, mantenha a pega e incline a cabeça da serra ligeiramente para a esquerda e prima o botão de libertação. Com o botão de libertação pressionado, empurre a lâmina da serra para a direita. Vire a alavanca para cima firmemente para prender a cabeça da serra.

- **Fig.23:** 1. Botão de libertação

**⚠PRECAUÇÃO:** Após mudar o ângulo de bisel, prenda sempre a cabeça da serra, virando a alavanca firmemente para cima.

**OBSERVAÇÃO:** Quando inclinar a lâmina da serra, certifique-se de que levanta a pega totalmente.

**OBSERVAÇÃO:** Quando muda os ângulos de bisel, certifique-se de que posiciona as placas de corte corretamente como explicado na secção "Posicionamento das placas de corte".

## Definir o ângulo de bisel de 46°

1. Solte a alavanca e incline a lâmina completamente para a esquerda ou para a direita.

- **Fig.24:** 1. Alavanca

2. Para inclinar a lâmina para a esquerda, mantenha a pega e incline a cabeça da serra ligeiramente para a direita e, em seguida, mova a alavanca de libertação no sentido da seta. O ângulo de bisel pode ser ajustado entre 45° e 46° ao inclinar a cabeça da serra durante o movimento da alavanca de libertação.

Para inclinar a lâmina para a direita, mantenha a pega e incline a cabeça da serra ligeiramente para a esquerda e, em seguida, mova a alavanca de libertação no sentido da seta. O ângulo de bisel pode ser ajustado entre 45° e 46° ao inclinar a cabeça da serra durante o movimento da alavanca de libertação.

- **Fig.25:** 1. Alavanca 2. Alavanca de libertação

3. Vire a alavanca para cima firmemente para prender a cabeça da serra.

## Regulação da posição da alavanca

Se, ao longo do tempo, a alavanca não ficar completamente apertada, altere a posição da alavanca. A alavanca pode ser reposicionada a cada 30°. Liberte e retire os parafusos que prendem a alavanca. Retire a alavanca e volte a instalá-la outra vez de modo a que fique a apontar ligeiramente acima da horizontal. Depois, prenda a alavanca firmemente com o parafuso.

- **Fig.26:** 1. Alavanca 2. Parafuso

## Ação do interruptor

**⚠AVISO:** Antes de instalar a bateria na ferramenta, certifique-se sempre de que o gatilho funciona corretamente e volta para a posição "OFF" quando libertado. Utilizar uma ferramenta com um interruptor que não opera devidamente, pode provocar a perda de controlo e resultar em ferimentos pessoais graves.

**⚠AVISO:** NUNCA utilize a ferramenta sem que esta disponha de um gatilho totalmente operacional. Qualquer ferramenta com um interruptor inoperante é ALTAMENTE PERIGOSA e tem de ser reparada antes de ser utilizada novamente, caso contrário pode causar ferimentos pessoais graves.

**⚠AVISO:** Para a sua própria segurança, esta ferramenta está equipada com um botão de segurança que evita o arranque accidental da ferramenta. NUNCA utilize a ferramenta se esta funcionar quando carregar no gatilho sem pressionar o botão de segurança. Um interruptor que necessita de reparação pode resultar em funcionamento accidental e causar ferimentos pessoais graves. Envie a ferramenta para um centro de assistência Makita, para efeitos de reparação adequada ANTES de nova utilização.

**⚠AVISO:** NUNCA tente anular o objetivo do botão de segurança utilizando fita adesiva ou qualquer outro meio. Um interruptor com um botão de segurança a funcionar mal pode provocar o funcionamento accidental e causar ferimentos pessoais graves.

**OBSERVAÇÃO:** Não carregue a fundo o gatilho sem pressionar o botão de segurança. Esta ação pode estragar o interruptor.

Para evitar que o gatilho do interruptor seja acidentalmente acionado, existe um botão de segurança. Para iniciar a ferramenta pressione o botão de segurança e carregue no gatilho do interruptor. Liberte o gatilho do interruptor para parar.

- **Fig.27:** 1. Botão de segurança 2. Furo para o cadeado 3. Gatilho do interruptor

## Acender a lâmpada

**⚠️ PRECAUÇÃO:** Esta lâmpada não está protegida contra a chuva. Não lave a lâmpada com água nem a utilize numa área exposta a chuva ou a humidade. Uma conduta desta natureza pode causar choque elétrico e fumo.

**⚠️ PRECAUÇÃO:** Não toque na lente da lâmpada, dado estar muito quente enquanto está acesa ou logo após ser desligada. Pode causar queimaduras no corpo.

**⚠️ PRECAUÇÃO:** Não aplique impacto na lâmpada, o que poderá causar danos ou um tempo de serviço curto.

**⚠️ PRECAUÇÃO:** Não exponha continuamente os olhos ao feixe da luz. Pode causar lesões nos seus olhos.

**⚠️ PRECAUÇÃO:** Não cubra a lâmpada com roupas, cartão, papelão ou objetos similares enquanto estiver acesa, pois pode causar um incêndio ou ignição.

**⚠️ PRECAUÇÃO:** Não olhe para a luz ou para a fonte de iluminação diretamente.

Para ligar a lâmpada, pressione a posição superior (1) do interruptor. Para desligar a lâmpada, pressione a posição inferior (0) do interruptor.

► **Fig.28:** 1. Lâmpada 2. Interruptor da lâmpada

**NOTA:** Utilize um pano seco para limpar a sujidade da lente da lâmpada. Tenha cuidado para não riscar a lente da lâmpada ou a iluminação pode ficar enfraquecida.

**NOTA:** Certifique-se de que desliga o interruptor, dado que ligar o interruptor consome a energia da bateria.

## Ação do feixe do laser

**⚠️ PRECAUÇÃO:** Nunca olhe diretamente para o feixe do laser. O feixe do laser direto poderá ferir os seus olhos.

Para ligar o feixe do laser, pressione a posição superior (1) do interruptor. Para desligar o feixe do laser, pressione a posição inferior (0) do interruptor.

► **Fig.29:** 1. Interruptor do laser

**NOTA:** Certifique-se de que desliga o interruptor, dado que ligar o interruptor consome a energia da bateria.

A linha do laser pode ser deslocada para o lado esquerdo ou direito da lâmina de serra circular rodando o parafuso de ajuste do seguinte modo.

► **Fig.30:** 1. Parafuso de ajuste

1. Desaperte o parafuso de ajuste, rodando-o para a esquerda.
2. Com o parafuso de ajuste desapertado, deslize o parafuso de ajuste para a direita ou para a esquerda até o respetivo limite.
3. Aperte firmemente o parafuso de ajuste na posição em que este para de deslizar.

**NOTA:** A linha do laser é ajustada na fábrica de modo a ficar posicionada dentro de 1 mm da superfície lateral da lâmina de serra circular (posição de corte).

**NOTA:** Quando a linha do laser aparece fosca e difícil de visualizar devido à luz solar direta, reposicione a área de trabalho num local em que existe menos luz solar direta.

## Alinhar a linha do laser

Alinhe a linha de corte na sua peça de trabalho com a linha de laser.

► **Fig.31**

A) Quando pretender obter o tamanho correto no lado esquerdo da peça de trabalho, desloque a linha de laser para a esquerda da lâmina de serra circular.

B) Quando pretender obter o tamanho correto no lado direito da peça de trabalho, desloque a linha de laser para a direita da lâmina de serra circular.

## MONTAGEM

**⚠️ AVISO:** Certifique-se sempre de que a ferramenta está desligada e a bateria retirada antes de trabalhar na ferramenta. Se não desligar a ferramenta e retirar a bateria, pode resultar em ferimentos pessoais graves.

## Armazenamento da chave hexagonal

A chave hexagonal é armazenada como indicado na ilustração. Para utilizar a chave hexagonal, tire-a do suporte da chave.

Depois de utilizar a chave hexagonal, guarde-a colocando de volta no suporte da chave.

► **Fig.32:** 1. Suporte da chave 2. Chave hexagonal

## Instalar ou retirar a lâmina da serra

**⚠️ AVISO:** Certifique-se sempre de que a ferramenta esteja desligada e a bateria retirada antes de instalar ou retirar a lâmina. O arranque acidental da ferramenta pode resultar em ferimentos pessoais graves.

**⚠️ PRECAUÇÃO:** Utilize só a chave hexagonal da Makita fornecida para instalar ou retirar a lâmina. Se assim não for pode resultar em aperto excessivo ou insuficiente do perno de encaixe hexagonal. Pode causar danos.

Para remover a lâmina, dê os seguintes passos:

1. Solte o pino de bloqueio e, em seguida, bloqueie a pega na posição elevada empurrando o pino de bloqueio.  
► **Fig.33:** 1. Pino de bloqueio

2. Utilize a chave hexagonal para soltar o perno de encaixe hexagonal que prende a cobertura central rodando-o para a esquerda. Depois, levante o resguardo da lâmina e a cobertura central.

► **Fig.34:** 1. Cobertura central 2. Perno de encaixe hexagonal 3. Chave hexagonal 4. Resguardo da lâmina



3. Pressione o travão do veio para prender o eixo e utilize a chave hexagonal para libertar o perno de encaixe hexagonal para a direita. Em seguida, retire o perno de encaixe hexagonal, a flange exterior e a lâmina.

► **Fig.35:** 1. Travão do eixo 2. Perno de encaixe hexagonal 3. Flange exterior

4. Se a flange interior for removida, instale-a no veio com a peça de montagem da lâmina voltada para a lâmina. Se a flange for instalada incorretamente, essa irá roçar contra a ferramenta.

► **Fig.36:** 1. Flange exterior 2. Lâmina da serra 3. Flange interior 4. Perno de encaixe hexagonal (lado esquerdo) 5. Veio 6. Peça de montagem da lâmina

Para instalar a lâmina, dê os seguintes passos:

1. Monte cuidadosamente a lâmina na flange interior. Certifique-se de que a direção da seta na lâmina corresponde à direção da seta na caixa da lâmina.

► **Fig.37:** 1. Lâmina da serra 2. Seta

2. Instale a flange exterior e o perno de encaixe hexagonal e, em seguida, utilize a chave hexagonal para apertar em segurança o perno de encaixe hexagonal (lado esquerdo) do eixo para a esquerda enquanto pressiona o travão do veio.

3. Volte a colocar o resguardo da lâmina e a cobertura central na sua posição original. Em seguida aperte o perno de encaixe hexagonal da cobertura central para a direita para prender a cobertura central.

4. Solte a pega da sua posição elevada empurrado o pino de bloqueio. Desça a pega para se certificar que o resguardo da lâmina funciona corretamente.

5. Certifique-se de que o travão do veio soltou o eixo antes de fazer o corte.

## Para ferramentas com a flange inferior para lâminas da serra com orifício de diâmetro de 15,88 mm

### Específico para o país

Monte a flange interior com o lado do recesso virado para fora, sobre o eixo de montagem e, depois, instale a lâmina da serra (junto com o anel, se necessário), a flange exterior e o perno hexagonal.

#### Para uma ferramenta sem o anel

► **Fig.38:** 1. Flange exterior 2. Lâmina da serra 3. Flange interior 4. Perno de encaixe hexagonal (lado esquerdo) 5. Veio

#### Para uma ferramenta com o anel

► **Fig.39:** 1. Flange exterior 2. Lâmina da serra 3. Flange interior 4. Perno de encaixe hexagonal (lado esquerdo) 5. Anel 6. Veio

**⚠️ AVISO:** Se o anel for necessário para montar a lâmina sobre o fuso, certifique-se sempre de que tem instalado o anel correto para o orifício do eixo da lâmina que pretende utilizar entre as flanges interior e exterior. A utilização de um anel do orifício do eixo incorreto pode resultar em montagem incorreta da lâmina provocando o movimento e vibrações graves da mesma, resultando em possível perda de controlo durante a operação e em ferimentos pessoais graves.

## Para ferramentas com uma flange interior para lâminas da serra com orifício de diâmetro diferente de 20 mm ou 15,88 mm

### Específico para o país

A flange interior tem uma peça de montagem da lâmina com um determinado diâmetro num dos lados e uma peça de montagem da lâmina com um diâmetro diferente no outro lado. Escolha o lado correto onde a peça de montagem da lâmina encaixa perfeitamente no orifício da lâmina da serra.

► **Fig.40:** 1. Flange exterior 2. Lâmina da serra 3. Flange interior 4. Perno de encaixe hexagonal (lado esquerdo) 5. Veio 6. Peça de montagem da lâmina

**⚠️ PRECAUÇÃO:** Certifique-se de que a peça de montagem da lâmina “a” na flange interior que está posicionada fora encaixa perfeitamente no orifício da lâmina da serra “a”. Montar a lâmina no lado errado pode resultar em vibrações perigosas.

## Saco do pó

A utilização do saco do pó torna as operações de corte mais limpas e a recolha do pó mais fácil.

Para prender o saco do pó, coloque-o no bocal do pó. Quando o saco do pó se encontrar meio cheio, retire-o da ferramenta e tire o fecho. Esvazie o saco do pó, batendo-lhe ligeiramente para remover as partículas aderentes no interior que podem dificultar a recolha.

► **Fig.41:** 1. Saco do pó 2. Bocal do pó 3. Fecho

**NOTA:** Se ligar um aspirador a esta ferramenta, pode obter uma limpeza mais eficaz.

► **Fig.42**

## Prender a peça de trabalho

**⚠️ AVISO:** É de extrema importância prender sempre a peça de trabalho de maneira correta com o torno. A não observância desta instrução pode resultar em ferimentos pessoais graves e danificar a ferramenta e/ou a peça de trabalho.

**⚠️ AVISO:** Ao cortar uma peça de trabalho mais comprida do que a base de suporte da serra, o material deve ser apoiado em todo o seu comprimento, para além da base de suporte e na mesma altura, a fim de mantê-lo nivelado. O apoio adequado da peça de trabalho ajuda a evitar o encravamento da lâmina e um possível contragolpe, o que pode resultar em lesões pessoais graves. Não confie apenas no torno vertical e/ou horizontal para efeitos de fixação da peça de trabalho. O material fino tende a dobrar. Apoie a peça de trabalho em todo o comprimento, para evitar esmagamentos e eventuais CONTRAGOLPES.

► **Fig.43:** 1. Suporte 2. Base giratória

## Torno vertical

**AVISO:** Fixe a peça de trabalho com segurança contra a base giratória e a placa guia com a ajuda do torno durante todas as operações. Caso contrário, o material pode mover-se durante a operação de corte provocando danos na lâmina, bem como ser atirado com força o que pode resultar em perda de controlo e ferimentos pessoais graves.

Instale o torno vertical no lado esquerdo ou direito da placa guia. Introduza o varão do torno no orifício existente na placa guia e aperte o parafuso inferior para fixar o varão do torno.

► **Fig.44:** 1. Braço do torno 2. Botão do torno 3. Placa guia 4. Base giratória 5. Parafuso inferior 6. Parafuso superior 7. Varão do torno

Posicione o braço do torno de acordo com a espessura e forma da peça de trabalho e prenda o braço do torno apertando o parafuso superior. Se o parafuso superior entrar em contacto com a placa guia, instale o parafuso superior no lado oposto do braço do torno. Certifique-se de que nenhuma parte da ferramenta contacta o torno quando desce completamente a pega. Se algumas partes contactarem o torno, volte a posicionar o torno. Pressione a peça de trabalho direita contra a placa guia e a base giratória. Posicione a peça de trabalho na posição de corte desejada e fixe-a com firmeza apertando o botão do torno.

## Prender a correia de ombro

### Acessório opcional

**PRECAUÇÃO:** Certifique-se de que remove a correia de ombro antes de utilizar a ferramenta. A correia de ombro poderá ficar emaranhada e causar ferimentos.

**PRECAUÇÃO:** Certifique-se de que prende firmemente os ganchos da correia de ombro à ferramenta. Se os ganchos estiverem presos de forma incompleta, podem soltar-se e causar ferimentos.

A correia de ombro é conveniente para transportar a ferramenta. Prenda os ganchos da correia de ombro à ferramenta, conforme apresentado na figura.

► **Fig.45:** 1. Correia de ombro 2. Gancho

## OPERAÇÃO

Esta ferramenta destina-se a cortar produtos de madeira. Se possuir lâminas de serra genuínas apropriadas da Makita, também pode serrar os seguintes materiais:

— Produtos de alumínio

Consulte o nosso website ou contacte o seu distribuidor Makita local para obter as lâminas de serra circulares corretas a utilizar para o material a cortar.

**AVISO:** Verifique se a lâmina não está em contacto com a peça de trabalho, etc., antes de ligar o interruptor. Ligar a ferramenta enquanto a lâmina está em contacto com a peça de trabalho pode provocar contragolpes e ferimentos pessoais graves.

**AVISO:** Depois de terminar o corte, não levante a lâmina até que esta esteja completamente parada. Levantar a lâmina enquanto está a rodar por inércia pode causar ferimentos pessoais graves e danificar a peça de trabalho.

**PRECAUÇÃO:** Não solte a cabeça da serra sem controlo da posição totalmente para baixo. A cabeça da serra sem controlo atinge-o e resulta em lesões físicas.

**OBSERVAÇÃO:** Antes da utilização, certifique-se de que liberta a pega da sua posição inferior puxando o pino de bloqueio.

**OBSERVAÇÃO:** Não aplique pressão excessiva na pega enquanto corta. Força demasiada pode resultar em sobrecarga do motor e/ou diminuição de eficiência do corte. Empurre a pega para baixo só com a força necessária para um corte suave e sem diminuição significativa da velocidade da lâmina.

**OBSERVAÇÃO:** Pressione suavemente a pega para baixo para executar o corte. Se a pega for pressionada para baixo com força ou se aplicar força lateral, a lâmina poderá vibrar e deixará uma marca (marca da serra) na peça de trabalho e o corte poderá não ser perfeito.

## Corte de pressão (corte de peças pequenas)

► **Fig.46**

As peças de trabalho até 46 mm de altura e 92 mm de largura podem ser cortadas da seguinte forma.

1. Prenda a peça de trabalho com o torno.
2. Ligue a ferramenta sem que a lâmina faça qualquer contacto e espere até que a lâmina atinja toda a velocidade antes de a descer.
3. Desça a pega suavemente para a posição completamente descida para cortar a peça de trabalho.
4. Quando o corte está concluído, desligue a ferramenta e **aguarde até a lâmina parar completamente** antes de voltar a colocar a lâmina na sua posição totalmente elevada.

## Corte de esquadria

Consulte a secção para regular o ângulo de esquadria.

## Corte de bisel

**⚠️ AVISO:** Depois de regular a lâmina para o corte de bisel, verifique, antes de utilizar a ferramenta, se a cabeça da serra e a lâmina poderão se deslocar livremente por toda a distância do corte desejado. A interrupção do deslocamento da cabeça da serra ou da lâmina durante o corte pode provocar um contragolpe e causar ferimentos pessoais graves.

**⚠️ AVISO:** Mantenha as mãos afastadas do percurso da lâmina durante um corte de bisel. O ângulo da lâmina pode confundir o operador com respeito ao percurso real da lâmina durante o corte, e o contacto com a lâmina pode provocar ferimentos pessoais graves.

**⚠️ AVISO:** Não levante a lâmina antes de estar completamente parado. Durante o corte de bisel, o pedaço cortado pode ficar encostado à parte lateral da lâmina. Se levantar a lâmina enquanto está ainda a rodar, o bocado pode ser atirado pela lâmina e fragmentar-se, provocando ferimentos pessoais graves.

**⚠️ AVISO:** Remova sempre a sub-guia quando realizar cortes de bisel. O não cumprimento desta indicação pode provocar ferimentos graves.

### ► Fig.47

1. Solte a alavanca e incline a lâmina da serra para o ângulo de bisel regulado (Refira-se a “Regulação do ângulo de bisel” descrita anteriormente). Certifique-se de que volta a apertar a alavanca firmemente para prender seguramente o ângulo de bisel selecionado.
2. Prenda a peça de trabalho com um torno.
3. Ligue a ferramenta sem que a lâmina faça qualquer contacto e espere até que a lâmina atinja a velocidade máxima.
4. Desça a pega suavemente para a posição completamente descida ao mesmo tempo que aplica pressão em paralelo com a lâmina para cortar a peça de trabalho.
5. Quando o corte está concluído, desligue a ferramenta e **aguarde até a lâmina parar completamente** antes de voltar a colocar a lâmina na sua posição totalmente elevada.

**OBSERVAÇÃO:** Quando descer a pega, exerça pressão paralelamente pela lâmina. Se a força for exercida perpendicularmente à base giratória ou se mudar a direção da pressão durante o corte, provocará um corte imperfeito.

## Corte composto

Corte composto é o processo em que um ângulo de bisel é feito ao mesmo tempo em que um ângulo de esquadria é cortado na peça de trabalho. O corte composto pode ser executado no ângulo indicado na tabela.

Ângulo de esquadria	Ângulo de bisel
Esquerdo e direito 45°	Esquerdo e direito 0° - 45°
Direito 52°	Esquerdo 20° - direito 45°
Esquerdo 52°	Esquerdo 45° - direito 20°

Quando executar o corte composto, refira-se às explicações do “Corte de pressão”, “Corte de esquadria” e “Corte de bisel”.

## Corte de extrusão de alumínio

- Fig.48: 1. Torno 2. Bloco espaçador 3. Placa guia 4. Extrusão de alumínio 5. Bloco espaçador

Quando fixar extrusões de alumínio, utilize blocos espaçadores ou pedaços de refugo, como indicado na figura, para evitar deformações do alumínio. Quando cortar extrusão de alumínio, utilize um lubrificante de corte para evitar a acumulação do material de alumínio na lâmina.

**⚠️ PRECAUÇÃO:** Nunca tente cortar extrusões de alumínio densas ou redondas. As extrusões de alumínio densas podem soltar-se durante a operação e as extrusões de alumínio redondas não podem ser presas com firmeza com esta ferramenta.

## Corte do mesmo comprimento repetidamente

Quando cortar várias peças de material com o mesmo comprimento de 200 mm a 330 mm, utilize a placa de apoio (acessório opcional). Instale a placa de apoio no suporte (acessório opcional) como indicado na figura.

- Fig.49: 1. Placa de apoio 2. Suporte 3. Parafuso

Alinhe a linha de corte na peça de trabalho com o lado esquerdo ou direito do rasgo da placa de corte e, enquanto prende a peça de trabalho, desloque a placa de regulação até que fique encostada à extremidade da peça de trabalho. Em seguida prenda a placa de regulação com o parafuso.

Quando não utilizar a placa de regulação, liberte o parafuso e coloque a placa de regulação onde não interfira com o trabalho.

## Transporte de ferramenta

**⚠️ AVISO:** O pino de bloqueio só serve para fins de transporte e armazenamento e nunca deve ser utilizado para quaisquer operações de corte. A utilização do pino de bloqueio para operações de corte pode provocar movimento inesperado da lâmina da serra e resultar em contragolpe e ferimentos pessoais graves.

**⚠️ PRECAUÇÃO:** Fixe sempre os componentes móveis antes de proceder ao transporte da ferramenta. Se peças da ferramenta se movem durante o transporte, pode ocorrer a perda de controlo ou balanço, provocando ferimentos pessoais.

1. Retire a bateria.
2. Prenda a lâmina no ângulo de bisel de 0° e a base giratória completamente no ângulo de esquadria à direita.

- Fig.50: 1. Base giratória

3. Desça a pega completamente e prenda-a na posição inferior empurrando o pino de bloqueio.

4. Transporte a ferramenta agarrando na pega.

- Fig.51

# MANUTENÇÃO

**⚠️ AVISO:** Certifique-se sempre de que a lâmina se encontra afiado e limpo, para obter um desempenho otimizado e seguro. Tentar cortar com uma lâmina não afiada e/ou suja pode causar contragolpes e provocar ferimentos pessoais graves.

**⚠️ PRECAUÇÃO:** Certifique-se sempre de que a ferramenta se encontra desligada e de que a bateria foi retirada antes de executar qualquer inspeção ou manutenção.

**⚠️ OBSERVAÇÃO:** Nunca utilize gasolina, benzina, diluente, álcool ou produtos semelhantes. Pode ocorrer a descoloração, deformação ou rachaduras.

Para manter a SEGURANÇA e a FIABILIDADE do produto, as reparações e qualquer outra manutenção ou ajuste devem ser levados a cabo pelos centros de assistência Makita autorizados ou pelos centros de assistência de fábrica, utilizando sempre peças de substituição Makita.

## Regulação do ângulo do corte

Esta ferramenta foi cuidadosamente regulada e alinhada na fábrica, mas manuseamento pouco cuidado pode afetar o alinhamento. Se a sua ferramenta não estiver alinhada corretamente proceda como se segue:

### Ângulo de esquadria

1. Desaperte o parafuso de fixação, rodando-o para a esquerda.
2. Rode a base giratória até o ponteiro indicar 0° na escala de esquadria.  
▶ **Fig.52:** 1. Parafuso de fixação 2. Base giratória 3. Escala de esquadria 4. Ponteiro
3. Rode a base giratória ligeiramente para a direita e para a esquerda para colocar a base giratória na ranhura dos 0° da esquadria. (Deixe-a como está se o ponteiro não indicar 0°).
4. Liberte os pernos de encaixe hexagonal que prendem a placa guia utilizando a chave hexagonal.  
▶ **Fig.53:** 1. Placa guia 2. Perno de encaixe hexagonal  
▶ **Fig.54:** 1. Placa guia 2. Perno de encaixe hexagonal
5. Desça a pega completamente e prenda-a na posição inferior empurrando o pino de bloqueio.
6. Ajuste a placa guia até fazer um ângulo perpendicular com a lâmina utilizando um régua triangular, esquadro, etc. Depois, aperte firmemente o perno de encaixe hexagonal na placa guia.  
▶ **Fig.55:** 1. Placa guia 2. Régua triangular 3. Lâmina da serra
7. Certifique-se de que o ponteiro indica 0° na escala de esquadria. Se o ponteiro não indicar 0°, solte o parafuso que prende o ponteiro e regule-o até indicar 0°.  
▶ **Fig.56:** 1. Parafuso 2. Escala de esquadria 3. Ponteiro

## Ângulo de bisel

### Ângulo de bisel de 0°

1. Desça a pega completamente e prenda-a na posição inferior empurrando o pino de bloqueio.
2. Liberte a alavanca na parte traseira da ferramenta.
3. Rode o perno de regulação do ângulo de bisel de 0° no lado direito da cabeça da serra duas ou três voltas para a esquerda para inclinar a lâmina para a direita.  
▶ **Fig.57:** 1. Perno de regulação 2. Alavanca
4. Gire o perno de regulação do ângulo de bisel de 0° para a direita com cuidado até a parte lateral da lâmina fazer um ângulo perpendicular com a superfície de topo da base giratória. Utilize o triângulo, esquadro, etc. como guia. Em seguida aperte a alavanca firmemente.  
▶ **Fig.58:** 1. Régua triangular 2. Lâmina da serra 3. Superfície superior da mesa giratória
5. Certifique-se de que o ponteiro no braço indica 0° na escala de esquadria. Se não indicar 0°, solte o parafuso que prende o ponteiro e regule-o até indicar 0°.  
▶ **Fig.59:** 1. Parafuso 2. Ponteiro 3. Escala de bisel

### Ângulo de bisel de 45°

Regule o ângulo de bisel de 45° só depois de regular o ângulo de bisel de 0°.

1. Solte a alavanca e incline a lâmina completamente para a esquerda.
2. Certifique-se de que o ponteiro no braço indica 45° na escala de bisel. Se o ponteiro não indicar 45°, rode o perno de regulação do ângulo de bisel de 45° esquerdo no lado direito do braço até o ponteiro indicar 45°.  
▶ **Fig.60:** 1. Perno de regulação do ângulo de bisel à direita de 45° 2. Ponteiro 3. Perno de regulação do ângulo de bisel à esquerda de 45°
3. Incline a lâmina completamente para a direita e, em seguida, ajuste o ângulo de bisel direito de 45° utilizando o perno de regulação do ângulo de bisel à direita de 45°.  
▶ **Fig.61:** 1. Lâmina da serra 2. Régua triangular

## Ajustar a posição da linha do laser

**⚠️ AVISO:** A bateria deve estar instalada na ferramenta enquanto ajusta a linha de laser. Tenha cuidado redobrado para não ligar a ferramenta durante o ajuste. O arranque acidental da ferramenta pode resultar em ferimentos pessoais graves.

**⚠️ PRECAUÇÃO:** Nunca olhe diretamente para o feixe do laser. A exposição direta dos olhos ao feixe pode causar danos graves nos seus olhos.

**⚠️ OBSERVAÇÃO:** Verifique regularmente a precisão da posição da linha de laser.

**⚠️ OBSERVAÇÃO:** Tenha cuidado com os impactos para a ferramenta. Pode fazer com que a linha de laser fique desalinhada ou pode causar danos no laser, reduzindo a sua vida útil.

**⚠️ OBSERVAÇÃO:** Solicite a reparação da ferramenta por um centro de assistência autorizado da Makita para qualquer falha na unidade de laser.

O alcance móvel da linha do laser é decidida pelos parafusos de ajuste de alcance em ambos os lados. Realize os seguintes procedimentos para alterar a posição da linha do laser.

1. Retire a bateria.
2. Desenhe uma linha de corte na peça de trabalho e coloque-a na base giratória. Neste momento, não fixe a peça de trabalho com um torno ou dispositivo de fixação similar.
3. Desça a pega e alinhe a linha de corte com a lâmina de serra.  
► **Fig.62:** 1. Linha de corte

4. Recoloque a pega na posição original e fixe a peça de trabalho com o torno vertical, de modo a que a peça de trabalho não se mova da posição que determinou.  
► **Fig.63:** 1. Torno

5. Instale a bateria na ferramenta e ligue o interruptor do laser.

6. Desaperte o parafuso de ajuste. Para afastar a linha de laser da lâmina, rode os parafusos de ajuste de alcance para a esquerda. Para aproximar a linha de laser à lâmina, rode os parafusos de ajuste de alcance para a direita.

**Ajustar a linha de laser no lado esquerdo da lâmina**

- **Fig.64:** 1. Parafuso de ajuste 2. Parafuso de ajuste de alcance 3. Chave hexagonal 4. Linha do laser 5. Lâmina da serra

**Ajustar a linha de laser no lado direito da lâmina**

- **Fig.65:** 1. Parafuso de ajuste de alcance 2. Chave hexagonal 3. Linha do laser 4. Lâmina da serra

7. Deslize o parafuso de ajuste para a posição na qual a linha do laser encontra a linha de corte e aperte-o em seguida.

**NOTA:** O alcance móvel da linha do laser é regulado na fábrica em 1 mm a partir da superfície lateral da lâmina.

## Limpar a lente da luz do laser

A luz do laser torna-se difícil de ver, dado que a lente para a luz do laser fica suja. Limpe a lente para a luz do laser periodicamente.

Retire a bateria. Desaperte o parafuso e remova a lente. Limpe a lente delicadamente com um pano macio húmido.

- **Fig.66:** 1. Parafuso

- **Fig.67:** 1. Lente

**OBSERVAÇÃO:** Não remova o parafuso que prende a lente. Se a lente não sair, continue a soltar o parafuso.

**OBSERVAÇÃO:** Não utilize solventes ou produtos de limpeza à base de petróleo na lente.

## Depois da utilização

Depois da utilização, limpe as aparas e o pó que aderiu à ferramenta com um pano ou material semelhante. Mantenha o resguardo da lâmina limpo conforme instruções constantes da anterior secção com o título "Resguardo da lâmina". Lubrifique os componentes deslizantes com óleo de máquina para evitar a ferrugem.

## ACESSÓRIOS OPCIONAIS

**AVISO:** Estes acessórios ou extensões Makita são recomendados para utilização com a sua ferramenta Makita especificada neste manual. A utilização de quaisquer outros acessórios ou extensões pode resultar em ferimentos pessoais graves.

**AVISO:** Utilize apenas um acessório ou extensão Makita para o fim a que se destina. A utilização inadequada de um acessório ou extensão pode resultar em ferimentos pessoais graves.

Se necessitar de informações adicionais relativas a estes acessórios, solicite-as ao seu centro de assistência Makita.

- Lâminas da serra com pontas de carboneto
- Conjunto do suporte-varão
- Placa de apoio
- Correia de ombro
- Bateria e carregador genuínos da Makita

**NOTA:** Alguns itens da lista podem estar incluídos na embalagem da ferramenta como acessórios padrão. Eles podem variar de país para país.

## SPECIFIKATIONER

Model:	<b>DLS600</b>
Klangediameter	165 mm
Diameter (aksel) af hul	20 mm
Maks. geringsvinkel	Venstre 52°, Højre 52°
Maks. skråvinkel	Venstre 45° (46° ved brug af udløserhåndtag), Højre 45° (46° ved brug af udløserhåndtag)
Hastighed uden belastning	5.000 min <sup>-1</sup>
Lasertype	Rød laser 650 nm, maksimalt output < 1,6 mW (Laserklasse 2M)
Dimensioner (L x B x H)	340 mm x 400 mm x 440 mm
Mærkespænding	DC 18 V
Nettovægt	6,3 - 6,6 kg

### Maks. Skærekapacitet (H x B) med klinge 165 mm

Geringsvinkel	Skråvinkel		
	45° (venstre)	0°	45° (højre)
0°	30 mm x 92 mm	46 mm x 92 mm	15 mm x 92 mm
45° (venstre og højre)	30 mm x 65 mm	46 mm x 65 mm	15 mm x 65 mm

- På grund af vores kontinuerlige forsknings- og udviklingsprogrammer kan hosstående specifikationer blive ændret uden varsel.
- Specifikationer og akku kan variere fra land til land.
- Vægten kan være anderledes afhængigt af tilbehøret, inklusive akkuen. Den letteste og tungeste kombination i henhold til EPTA-procedure 01/2014 er vist i tabellen.

## Anvendelig akku og oplader





Akku	BL1815N / BL1820B / BL1830B / BL1840B / BL1850B / BL1860B
Oplader	DC18RC / DC18RD / DC18RE / DC18SD / DC18SE / DC18SF / DC18SH

- Nogle af de akkuer og opladere, der er angivet ovenfor, er muligvis ikke tilgængelige, afhængigt af hvilket område du bor i.

**⚠ ADVARSEL: Brug kun de akkuer og opladere, der er angivet ovenfor. Brug af andre akkuer og opladere kan medføre personskaade og/eller brand.**

## Symboler

Følgende viser de symboler, der muligvis anvendes til udstyret. Sørg for, at du forstår deres betydning før brugen.

	Læs brugsanvisningen.
	Bær sikkerhedsbriller.
	For at undgå personskaade fra flyvende rester skal De holde savhovedet nede, når De har foretaget snit, indtil klingens er stoppet helt.
	Placer ikke hånden eller fingrene i nærheden af klingens.



Se aldrig ind i laserstrålen. En direkte laserstråle kan skade dine øjne.



Kun for lande inden for EU  
På grund af tilstedeværelsen af farlige komponenter i udstyret kan affald af elektrisk og elektronisk udstyr, akkumulatører og batterier have en negativ indvirkning på miljøet og folkesundheden. Bortskaf ikke elektriske og elektroniske apparater eller batterier sammen med husholdningsaffald!  
I overensstemmelse med EF-direktiv om affaldshåndtering af elektrisk og elektronisk udstyr og om akkumulatører og batterier og affaldsakkumulatører og -batterier, og i overensstemmelse med national lovgivning, skal brugt elektrisk udstyr, batterier og akkumulatører opbevares separat og leveres til et separat indsamlingssted for kommunalt affald, der er etableret i henhold til bestemmelserne om miljøbeskyttelse. Dette er angivet ved symbolet på den krydsede skraldespand, der er placeret på udstyret.



## Tilsigtet anvendelse

Dette værktøj er beregnet til udførelse af præcis lige afkortning og geringsssnit i træ. Anvend ikke saven til at skære i andet end træ, aluminium eller lignende materialer.

## Støj

Det typiske A-vægtede støjniveau bestemt i overensstemmelse med EN62841-3-9:

Lydtryksniveau ( $L_{pA}$ ): 90 dB (A)

Lydeffektniveau ( $L_{WA}$ ): 97 dB (A)

Usikkerhed (K): 3 dB (A)

**BEMÆRK:** De(n) angivne støjemissionsværdi(er) er målt i overensstemmelse med en standardtestmetode og kan anvendes til at sammenligne en maskine med en anden.

**BEMÆRK:** De(n) angivne støjemissionsværdi(er) kan også anvendes i en præliminær eksponeringsvurdering.

**⚠ ADVARSEL:** Bær høreværn.

**⚠ ADVARSEL:** Støjemissionen under den faktiske anvendelse af maskinen kan være forskellig fra de(n) angivne værdi(er), afhængigt af den måde hvorpå maskinen anvendes, især den type arbejdsopgaver der behandles.

**⚠ ADVARSEL:** Sørg for at identificere de sikkerhedsforskrifter til beskyttelse af operatøren, som er baseret på en vurdering af eksponering under de faktiske brugsforhold (med hensyntagen til alle dele i brugscyklussen, f.eks. de gange, hvor maskinen er slukket, og når den kører i tomgang i tilgift til afbrydertiden).

## Vibration

Vibrationens totalværdi (tre-aksial vektorsum) bestemt i overensstemmelse med EN62841-3-9:

Vibrationsemission ( $a_v$ ): 2,5 m/s<sup>2</sup> eller mindre

Usikkerhed (K): 1,5 m/s<sup>2</sup>

**BEMÆRK:** De(n) angivne totalværdi(er) for vibration er målt i overensstemmelse med en standardtestmetode og kan anvendes til at sammenligne en maskine med en anden.

**BEMÆRK:** De(n) angivne totalværdi(er) for vibration kan også anvendes i en præliminær eksponeringsvurdering.

**⚠ ADVARSEL:** Vibrationsemissionen under den faktiske anvendelse af maskinen kan være forskellig fra de(n) angivne værdi(er), afhængigt af den måde hvorpå maskinen anvendes, især den type arbejdsopgaver der behandles.

**⚠ ADVARSEL:** Sørg for at identificere de sikkerhedsforskrifter til beskyttelse af operatøren, som er baseret på en vurdering af eksponering under de faktiske brugsforhold (med hensyntagen til alle dele i brugscyklussen, f.eks. de gange, hvor maskinen er slukket, og når den kører i tomgang i tilgift til afbrydertiden).

## EF-overensstemmelseserklæring

### Kun for lande i Europa

EF-overensstemmelseserklæringen er inkluderet som Bilag A i denne brugsanvisning.

## SIKKERHEDSADVARSLER

### Almindelige sikkerhedsregler for el-værktøj

**⚠ ADVARSEL:** Læs alle de sikkerhedsadvarsler, instruktioner, illustrationer og specifikationer, der følger med denne maskine. Forsømmelse af at overholde alle nedenstående instruktioner kan medføre elektrisk stød, brand og/eller alvorlig personskade.

### Gem alle advarsler og instruktioner til fremtidig reference.

Ordet "el-værktøj" i advarslerne henviser til det netforsyede (netledning) el-værktøj eller batteriforsyede (akku) el-værktøj.

### Sikkerhedsinstruktioner for geringsssave

1. Geringsssave er beregnet til at save i træ eller trælige produkter. De kan ikke anvendes med slibende afskæringsskiver til at skære i jernholdige metaller som f.eks. bjælker, stænger, stivere osv. Slibestøv får bevægelige dele som f.eks. den nederste beskyttelseskærm til at sætte sig fast. Gnister fra slibeskæring vil forbrænde den nederste beskyttelseskærm, savsnitsindlæg og andre plastikdele.
2. Brug skruetvinger til at understøtte arbejdsemnet, når som helst det er muligt. Hvis du understøtter arbejdsemnet i hånden, skal du altid holde hånden mindst 100 mm fra begge sider af savklingen. Anvend ikke denne sav til at skære stykker, der er for små til at kunne fastgøres forsvarligt eller holdes i hånden. Hvis din hånd er placeret for tæt på savklingen, er der større risiko for personskade pga. kontakt med klingen.
3. Arbejdsemnet skal være i ro og fastgjort eller holdt mod både anslaget og bordet. Undlad at indføre arbejdsemnet til klingen eller at skære "på frihånd" på nogen måde. Ikke-fastholdte eller bevægelige arbejdsemner kan blive slynget bort ved høj hastighed og forårsage personskade.
4. Placer aldrig din hånd over den tilsigtede skærelinje, hverken foran eller bag ved savklingen. Understøtelse af arbejdsemnet med "krydsede hænder", dvs. at holde arbejdsemnet til højre for savklingen med venstre hånd eller omvendt, er meget farligt.

► Fig.1

5. **Undlad at række bag ved anslaget med nogen af hænderne tættere end 100 mm fra begge sider af savklingen, at fjerne træstykker eller af nogen anden årsag, så længe klingen roterer.** Det er muligvis ikke tydeligt, hvor tæt den roterende savklinge er på din hånd, og du kan komme alvorligt til skade.
  6. **Inspicer arbejdsemnet, før der skæres.** Hvis arbejdsemnet er buet eller skævt, skal du fastgøre det med den udvendige buede side mod anslaget. Sørg altid for, at der ikke er mellemrum mellem arbejdsemnet, anslaget og bordet langs skærelinjen. Buede eller skæve arbejdsemner kan vride sig eller flytte sig og kan medføre binding af den roterende savklinge, mens der skæres. Der må ikke være søm eller fremmedlegemer i arbejdsemnet.
  7. **Undlad at bruge saven, før bordet er ryddet for alle værktøjer, træstykker osv. bortset fra arbejdsemnet.** Små rester eller løse stykker træ eller andre genstande, der kommer i kontakt med den roterende klinge, kan blive slynget bort med høj hastighed.
  8. **Skær kun i ét arbejdsemne ad gangen.** Flere stablede arbejdsemner kan ikke fastgøres eller understøttes tilstrækkeligt og kan binde klingen eller flytte sig under skæringen.
  9. **Sørg for, at geringsssaven er monteret eller placeret på en jævn, stabil arbejdsoverflade, før den bruges.** En jævn og stabil arbejdsoverflade mindsker risikoen for, at geringsssaven bliver ustabil.
  10. **Planlæg dit arbejde.** Hver gang du ændrer indstillingen for skrå- eller geringsvinkel, skal du sikre dig, at det justerbare anlæg er indstillet korrekt til at understøtte arbejdsemnet, og at det ikke kommer i vejen for klingen eller beskyttelsessystemet. Uden at slå maskinen "TIL" og uden arbejdsemne på bordet skal du flytte savklingen gennem et komplet simuleret snit for at sikre dig, at der ikke er noget i vejen eller risiko for at skære i anslaget.
  11. **Sørg for tilstrækkelig understøttelse, for eksempel bordforlængelser, savbukke osv., for et arbejdsemne, der er bredere eller længere end bordpladen.** Arbejdsemner, der er længere eller bredere end geringssavens bord, kan vippe, hvis de ikke er tilstrækkeligt understøttet. Hvis det afskårne stykke eller arbejdsemnet vipper, kan det løfte den nederste beskyttelsesskærm eller blive slynget bort af den roterende klinge.
  12. **Undlad at bruge en anden person som erstatning for en bordforlængelse eller som ekstra støtte.** Ustabil understøttelse af arbejdsemnet kan få klingen til at binde eller arbejdsemnet til at flytte sig under skæringen, så du selv og hjælperen bliver trukket ind i den roterende klinge.
  13. **Det afskårne stykke må ikke på nogen måde sidde fast eller blive trykket imod den roterende savklinge.** Hvis det begrænses, for eksempel med længdestopper, kan det afskårne stykke blive klemt mod klingen og slynget voldsomt bort.
  14. **Brug altid en skruetvinge eller et stykke inventar, der er beregnet til korrekt at støtte runde materialer som f.eks. stænger eller rør.** Stænger har tendens til at rulle, når de skæres, hvilket får klingen til at "bide" og trække emnet med din hånd ind i klingen.
  15. **Lad klingen nå fuld hastighed, før den sættes mod arbejdsemnet.** Dette reducerer risikoen for, at arbejdsemnet slynges bort.
  16. **Sluk for geringsssaven, hvis arbejdsemnet eller klingen klemmer sig fast.** Vent, til alle bevægelige dele er stoppet, og tag stikket ud af strømkilden og/eller fjern akkuen. Begynd derefter at frigøre det fastklemte materiale. Fortsat savning med et fastklemt arbejdsemne kan medføre, at du mister kontrollen, eller beskadigelse af geringsssaven.
  17. **Når et snit er færdigt, skal du slippe afbryderen, holde savhovedet nede og vente, til klingen er stoppet, før du fjerner det afskårne stykke.** Det er farligt at stikke hånden hen til klingen, mens den stadig kører.
  18. **Hold godt fast i håndtaget, når der foretages et uafærdigt snit, eller hvis du slipper afbryderen, inden savhovedet er helt nede i den nederste position.** Savens bremsefunktion kan medføre, at savhovedet pludseligt trækkes nedad, og medføre risiko for personskade.
  19. **Brug kun savklingen med den diameter, som er markeret på maskinen eller angivet i vejledningen.** Brug af en klinge med forkert størrelse kan muligvis påvirke den korrekte afskærmning af klingen eller skærmfunktionen, hvilket muligvis kan resultere i alvorlig personskade.
  20. **Brug kun savklinger, der er mærket med en hastighed svarende til eller større end den hastighed, der er angivet på maskinen.**
  21. **Anvend ikke saven til at skære i andet end træ, aluminium eller lignende materialer.**
  22. **(Kun for lande i Europa)**  
**Brug altid en klinge, der overholder EN847-1.**
- Yderligere instruktioner**
1. **Gør dit værktøed børnesikkert med hængelåse.**
  2. **Stå aldrig på maskinen.** Det kan medføre alvorlig personskade, hvis maskinen vælter, eller ved utilsigtet kontakt med skæremaskinen.
  3. **Lad aldrig maskinen køre uovervåget. Sluk for strømmen. Gå ikke fra maskinen, før den er stoppet helt.**
  4. **Anvend ikke saven, uden at beskyttelsesskærmene er på plads. Kontrollér beskyttelsesskærmen for korrekt funktion før hver brug. Anvend ikke saven, hvis beskyttelsesskærmen ikke bevæger sig frit og lukker øjeblikkeligt. Beskyttelsesskærmen må aldrig klemmes eller bindes til åben position.**
  5. **Hold hænderne væk fra savklingens bane. Undgå kontakt med klingen, mens denne kører i frihjul. Dette kan stadig medføre alvorlig personskade.**
  6. **Fastgør altid bevægelige dele, før maskinen transporteres.**
  7. **Stopstiften, som låser skærehovedet nede, er kun beregnet til transport- og opbevaringsformål og ikke til nogen form for skæring.**
  8. **Efterse omhyggeligt klingen for revner eller beskadigelse før brugen. Udskift øjeblikkeligt en revnet eller beskadiget klinge. Gummi og tjære, der hærdes mod klinger, gør saven langsommere og øger risikoen for tilbageslag. Hold klingen ren ved først at tage den ud af maskinen og derefter rense den med gummi- og tjærefjerner, varmt vand eller petroleum. Benyt aldrig benzin til at rense klingen.**

9. Anvend kun flanger, der er anbefalet til brug med denne maskine.
10. Sørg for ikke at beskadige akslen, flangerne (specielt monteringsfladen) eller bolten. Beskadigelse af disse dele kan medføre beskadigelse af klingen.
11. Sørg for, at drejeskiven er fastlåst og ikke bevæger sig under brug. Brug hullerne i foden til at fastgøre saven til en stabil arbejdsplatform eller bænk. Anvend ALDRIG maskinen, hvis operatørens position kan blive akavet.
12. Sørg for, at spindellåsen er løsnet, før der tændes på afbryderen.
13. Sørg for, at klingen ikke rører drejeskiven i nederste position.
14. Hold godt fast i håndtaget. Vær opmærksom på, at saven ved start og stop bevæger sig let op og ned.
15. Sørg for, at klingen ikke er i berøring med arbejdsemnet, før der tændes på afbryderen.
16. Før maskinen anvendes på arbejdsemnet, skal den køre i tomgang et stykke tid. Vær opmærksom på vibrationer eller rystelser, der kan være forårsaget af forkert montage eller manglende afbalancering af klingens.
17. Afbryd straks anvendelsen, hvis du bemærker noget unormalt under brugen.
18. Forsøg aldrig at fastlåse afbryderen i "TIL"-stillingen.
19. Anvend altid kun det tilbehør, der er anbefalet i denne brugsanvisning. Anvendelse af forkert tilbehør, eksempelvis slibeskiver, kan medføre personskaade.
20. Nogle materialer indeholder kemikalier, der kan være giftige. Sørg omhyggeligt for at undgå at indånde støv samt kontakt med huden. Følg materialeleverandørens sikkerhedsdata.

#### Yderligere sikkerhedsregler for laseren

1. **LASERSTRÅLING, UNDLAD AT SE IND I STRÅLEN ELLER AT BETRAGTE DEN DIREKTE MED OPTISKE INSTRUMENTER, KLASSE 2M LASERPRODUKT.**

## GEM DISSE FORSKRIFTER.

**⚠ ADVARSEL:** LAD IKKE bekvemmelighed eller kendskab til produktet (opnået gennem gentagen brug) forhindre, at sikkerhedsforskrifterne for produktet nøje overholdes. MISBRUG eller forsømmelse af at følge de i denne brugsvejledning givne sikkerhedsforskrifter kan medføre alvorlig personskaade.

## Vigtige sikkerhedsinstruktioner for akkuen

1. Læs alle instruktioner og advarselmærkater på (1) akku-opladeren, (2) akkuen og (3) produktet, som anvender akku.
2. Adskil eller ændr ikke akkuen. Det kan muligvis resultere i en brand, overdreven varme eller eksplosion.
3. Hold straks op med anvendelsen, hvis brugstiden er blevet stærkt afkortet. Fortsat anvendelse kan resultere i risiko for overophedning, forbrændinger og endog eksplosion.
4. Hvis De har fået elektrolytvæske i øjnene, skal De straks skylle den ud med rent vand og derefter øjeblikkeligt søge lægehjælp. I modsat fald kan De miste synet.
5. Vær påpasselig med ikke at komme til at kortslutte akkuen:
  - (1) Rør ikke ved terminalerne med noget ledende materiale.
  - (2) Undgå at opbevare akkuen i en beholder sammen med andre genstande af metal, for eksempel søm, mønter og lignende.
  - (3) Udsæt ikke akkuen for vand eller regn. Kortslutning af akkuen kan forårsage en kraftig øgning af strømmen, overophedning, mulige forbrændinger og endog værktøjstop.
6. Opbevar og brug ikke maskinen og akkuen på steder, hvor temperaturen muligvis kan nå eller overstige 50 °C.
7. Lad være med at brænde akkuen, selv ikke i tilfælde, hvor den har lidt alvorlig skade eller er fuldstændig udtjent. Akkuen kan eksplodere, hvis man forsøger at brænde den.
8. Slå ikke søm i, skær ikke i, knus, kast, tab ikke akkuen og stød ikke akkuen mod en hård genstand. Sådan adfærd kan muligvis resultere i en brand, overdreven varme eller eksplosion.
9. Anvend ikke en beskadiget akku.
10. De indbyggede litium-ion-batterier er underlagt lovkrav vedrørende farligt gods. Ved kommerciel transport, f.eks. af tredjeparts transportselskaber, skal særlige krav til forpakning og mærkning overholdes. Ved forberedelse af udstyret til forsendelse skal du kontakte en ekspert i farligt gods. Overhold også eventuel mere detaljeret national lovgivning. Tape eller tildæk åbne kontakter, og pak batteriet på en måde, så det ikke kan flytte sig rundt i pakningen.
11. Når akkuen bortskaffes, skal du fjerne den fra maskinen og bortskaffe den på et sikkert sted. Følg de lokale love vedrørende bortskaffelsen af batterier.
12. Brug kun batterierne med de produkter, som Makita specificerer. Hvis batterierne installeres i ikke-kompatible produkter, kan det medføre brand, kraftig varme, eksplosion eller udsivning af elektrolyt.

13. Hvis maskinen ikke skal bruges i længere tid ad gangen, skal du fjerne batteriet fra maskinen.
14. Akkuen kan muligvis under og efter brug være varm, hvilket kan forårsage forbrændinger eller lavtemperaturforbrændinger. Vær påpasselig med håndtering af varme akkuer.
15. Rør ikke terminalen på maskinen straks efter brug, da den bliver varm nok til at forårsage forbrændinger.
16. Sørg for, at spåner, støv eller jord ikke sætter sig fast i akkuens terminaler, huller og riller. Det kan forårsage opvarmning, antændelse, sprængning og funktionsfejl i maskinen eller akkuen, hvilket kan medføre forbrændinger eller personskade.
17. Medmindre maskinen understøtter brugen i nærheden af elektriske højspændingsledninger, skal du ikke anvende akkuen i nærheden af elektriske højspændingsledninger. Det kan muligvis medføre funktionsfejl på eller nedbrud af maskinen eller akkuen.
18. Opbevar batteriet utilgængeligt for børn.

## GEM DENNE BRUGSANVISNING.

**⚠FORSIGTIG:** Brug kun originale batterier fra Makita. Brug af uoriginale Makita-batterier, eller batterier som er blevet ændret, kan muligvis medføre brud på batteriet, hvilket kan forårsage brand, personskade eller beskadigelse. Det ugyldiggør også Makita-garantien for Makita-maskinen og opladeren.

## Tips til opnåelse af maksimal akku-levetid

1. Oplad akkuen, inden den er helt afladet, eller altid værktøjet, og oplad akkuen, hvis De bemærker, at værktøjeffekten er aftagende.
2. Genoplad aldrig en fuldt opladet akku. Overopladning vil afkorte akkuens levetid.
3. Oplad akkuen ved stuetemperatur ved 10 °C - 40 °C. Lad altid en varm akku få tid til at køle af, inden den oplades.
4. Når du ikke anvender akkuen, skal du fjerne den fra maskinen eller opladeren.
5. Oplad akkuen, hvis De ikke skal bruge den i længere tid (mere end seks måneder).

## BESKRIVELSE AF DELENE

### ► Fig.2

1	Aflåseknap	2	Afbryderkontakt	3	Håndtag	4	Klingehus
5	Klinge	6	Beskyttelsesskærm	7	Underanslag	8	Lille underanslag
9	Bund	10	Drejeskive	11	Anslag	12	Lodret skruestik
13	Støvpose	14	Støvtud	15	Midterafdækning	-	-

### ► Fig.3

16	Lampe	17	Akku	18	Sekskantnøgle	19	Udløserhåndtag
20	Håndtag (til justering af skråvinkel)	21	Indlægsplade	22	Justeringsbolt for nedre grænse	23	Lampekontakt
24	Laserkontakt	-	-	-	-	-	-

## MONTERING

### Montering på bænk

**⚠ADVARSEL:** Sørg for, at værktøjet ikke bevæger sig på understøttelsesfladen. Hvis geringsaven bevæger sig på understøttelsesfladen under skæringen, risikerer De at miste herredømmet over saven og komme alvorligt til skade.

1. Fastgør bunden til en jævn og stabil overflade, og skru den fast med to bolte. Dette hjælper med at forhindre, at den tipper med personskade til følge.

► Fig.4: 1. Bolt

## FUNKTIONSBESKRIVELSE

**⚠ ADVARSEL:** Vær altid sikker på, at der er slukket for værktøjet, og at akkuen er fjernet, inden De justerer eller kontrollerer værktøjets funktioner. Hvis De ikke slukker for værktøjet og fjerner akkuen, kan det medføre alvorlig personskade forårsaget af utilsigtet start af værktøjet.

### Isætning eller fjernelse af akkuen

**⚠ FORSIGTIG:** Sluk altid for værktøjet, før De monterer eller fjerner akkuen.

**⚠ FORSIGTIG:** Hold værktøjet og akkuen fast ved montering eller fjernelse af akkuen. Hvis De ikke holder værktøjet og akkuen fast, kan de glide ud af hænderne på Dem og forårsage beskadigelse af værktøjet og akkuen eller personskade.

► **Fig.5:** 1. Rød indikator 2. Knap 3. Akku

Akkuen fjernes ved, at De trækker den ud af værktøjet, idet De skyder knappen på forsiden af akkuen i stilling.

Akkuen monteres ved, at De sætter tungen på akkuen ud for noten i kabinettet og lader den glide på plads. Sæt den hele vejen ind, så den låses på plads med et lille klik. Hvis den røde indikator på oversiden af knappen er synlig, betyder det, at den ikke er tilstrækkeligt låst.

**⚠ FORSIGTIG:** Monter altid akkuen helt, indtil den røde indikator ikke længere er synlig. Hvis dette ikke gøres, kan den falde ud af værktøjet ved et uheld, hvorved De selv eller personer i nærheden kan komme til skade.

**⚠ FORSIGTIG:** Brug ikke magt ved montering af akkuen. Hvis akkuen ikke glider på plads uden problemer, betyder det, at den ikke sættes i på korrekt vis.

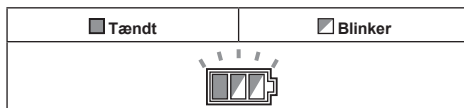
### Beskyttelsessystem til værktøj/batteri

Maskinen er udstyret med et beskyttelsessystem til maskinen/batteriet. Dette system afbryder automatisk strømmen til motoren for at forlænge maskinens og batteriets levetid. Maskinen stopper automatisk under brugen, hvis maskinen eller batteriet udsættes for et af følgende forhold:

### Overbelastningsbeskyttelse

Når værktøjet betjenes på en måde, der får den til at bruge unormalt meget strøm, stopper værktøjet automatisk uden indikation. Sluk i så fald for værktøjet, og stop den anvendelse, der bevirkede, at værktøjet blev overbelastet. Tænd derefter for værktøjet for at starte igen.

### Beskyttelse mod overophedning



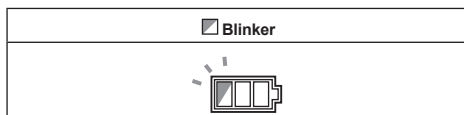
Når værktøjet bliver overophedet, stopper den automatisk, og batteriindikatoren blinker i cirka 60 sekunder. Lad i så fald værktøjet køle af, før der tændes for værktøjet igen.

### Beskyttelse mod afladning

Når batteriladningen bliver for lav, stopper værktøjet automatisk. Hvis produktet ikke fungerer, selvom kontakterne betjenes, skal De tage batterierne ud af værktøjet og lade batterierne op.

### Annulleringslås ved beskyttelsessystem

Hvis beskyttelsessystemet aktiveres gentagne gange, låses maskinen, og batteriindikatoren blinker.





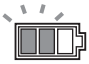
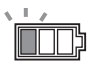



I så fald skal du slukke på kontakten og fjerne årsagen til, at beskyttelsessystemet aktiveres, og derefter tænde på kontakten igen. Hvis maskinen ikke fungerer, efter at du har tændt på kontakten igen, skal du tage akkuen ud og oplade den.

### Indikation af den resterende batteriladning

► **Fig.6:** 1. Batteriindikator

Når du trykker på afbryderknappen, viser batteriindikatoren den resterende batteriladning.

Status på batteriindikator			Resterende batteriladning
 Tændt	 Slukket	 Blinker	
			50% til 100%
			20% til 50%
			0% til 20%
			Genoplad batteriet

## Indikation af den resterende batteriladning

Kun til akkuer med indikatoren

► Fig.7: 1. Indikatorlamper 2. Kontrolknop

Tryk på kontrolknappen på akkuen for at få vist den resterende batteriladning. Indikatorlampen lyser i nogle sekunder.

Indikatorlamper			Resterende ladning
Tændt	Slukket	Blinker	
■	□	◐	75% til 100%
■	■	□	50% til 75%
■	■	□	25% til 50%
■	□	□	0% til 25%
◐	□	□	Genoplad batteriet.
■	■	□	Der er muligvis fejl i batteriet.
□	□	■	

**BEMÆRK:** Afhængigt af brugsforholdene og den omgivende temperatur kan indikationen afvige en smule fra den faktiske ladning.

**BEMÆRK:** Den første indikatorlampe (længst mod venstre) vil blinke, når batteribeskyttelsessystemet aktiveres.

## Automatisk hastighedsændringsfunktion

► Fig.8: 1. Tilstandsindikator

Tilstandsindikatorstatus	Funktionstilstand
	Højhastighedstilstand
	Tilstand for højt moment

Dette værktøj har en "højhastighedstilstand" og en "tilstand for højt moment". Det skifter automatisk funktionstilstand afhængigt af arbejdsbelastningen. Når tilstandsindikatoren lyser under brug, er værktøj i højt momenttilstand.

## Stopstift

**⚠FORSIGTIG:** Hold altid i håndtaget, når stopstiften frigøres. Ellers springer håndtaget op, hvilket kan medføre personskaade.

Frigrør stopstiften ved at trykke let nedad på grebet og trække i stopstiften.

► Fig.9: 1. Stopstift

## Beskyttelsesskærm

**⚠ADVARSEL:** Beskyttelsesskærmen må aldrig sættes ud af funktion, og fjederen på skærmen må aldrig fjernes. En synlig klinge på grund af en manglende beskyttelsesskærm kan medføre alvorlig personskaade under anvendelsen.

**⚠ADVARSEL:** Brug aldrig værktøjet, hvis beskyttelsesskærmen eller fjederen er beskadiget, defekt eller mangler. Anvendelse af værktøjet med en beskadiget, fejlbehæftet eller afmonteret beskyttelsesskærm kan medføre alvorlig personskaade.

**⚠FORSIGTIG:** Hold altid beskyttelsesskærmen i god stand for sikker brug. Hold øjeblikkeligt op med brugen, hvis der er uregelmæssigheder i beskyttelsesskærmen. Bekræft, at de fjederbelastede beskyttelsesskærme returnerer.

► Fig.10: 1. Beskyttelsesskærm

Når De sænker grebet, hæves beskyttelsesskærmen automatisk. Beskyttelsesskærmen er fjederbelastet og vender tilbage til udgangspositionen, når arbejdet er afsluttet, og grebet atter hæves.

### Rengøring

► Fig.11: 1. Beskyttelsesskærm

Hvis den gennemsigtige beskyttelsesskærm bliver snavset, eller der sidder så meget savsmuld på den og på en sådan måde, at savklingen og/eller arbejdsemnet ikke længere er synligt, skal akkuen tages ud, og beskyttelsesskærmen skal rengøres med en fugtig klud. Anvend ikke opløsningsmidler eller petroleum-baserede rengøringsmidler på plastic-beskyttelsesskærmen, da dette kan beskadige skærmen.

For rengøring løftes beskyttelsesskærmen under henvisning til "Montering eller afmontering af savklingen". Sørg efter rengøringen for at montere klingens og midterafdækningen igen, og stram boltene med indvendig sekskant.

1. Sørg for, at der er slukket for værktøjet, og at akkuerne er taget ud.
2. Drej boltene med indvendig sekskant mod uret ved hjælp af den medfølgende sekskantnøgle, idet der holdes på midterafdækningen.
3. Løft beskyttelsesskærmen og midterafdækningen.
4. Når rengøringen er færdig, skal De sætte midterafdækningen tilbage og stramme boltene med indvendig sekskant ved at udføre ovenstående trin i omvendt rækkefølge.

**⚠ADVARSEL:** Fjern ikke den fjeder, der holder beskyttelsesskærmen. Hvis beskyttelsesskærmen bliver beskadiget i tidens løb eller på grund af udsættelse for ultraviolet lys, bedes De kontakte et Makita servicecenter for at få den udskiftet. **OMGÅ ELLER AFMONTER ALDRIG BESKYTTELSSESKÆRMEN.**



## Placering af indlægsplade

Dette værktøj er udstyret med indlægsplader i drejeskiven med det formål at minimere slidage på afslutnings-siden af en savning. Indlægspladerne er fra fabrikken indstillet således, at savklingen ikke kommer i berøring med indlægspladerne. Indstil indlægspladerne inden brugen på følgende måde:

1. Sørg for at fjerne akkuen. Løsn derefter alle de skruer (2 hver i venstre og højre side), der fastholder indlægspladerne.
- **Fig.12:** 1. Indlægsplade 2. Skruer
2. Stram kun skruerne så meget, at indlægspladerne stadig nemt kan flyttes med hånden.
3. Sænk håndtaget helt, og tryk stopstiften ind for at låse håndtaget i den nederste stilling.
4. Indstil indstillingspladerne således, at de lige netop berører siderne af klingetænderne.

► **Fig.13**

- **Fig.14:** 1. Savklinge 2. Klingetænder  
3. Indlægsplade 4. Venstre skrånit 5. Lige snit

5. Stram skruerne (stram ikke for meget).
6. Frigør stopstiften, når indlægspladerne er indstillet, og hæv håndtaget. Stram derefter alle skruerne godt til.

**BEMÆRKNING:** Sørg for, når skrævinklen er indstillet, at indlægspladerne er korrekt indstillet. Korrekt indstilling af indlægspladerne bidrager til at yde den rigtige støtte til arbejdsemnet og gøre risikoen for udvinding minimal.

## Vedligeholdelse af maksimal skæredybde

Dette værktøj er på fabrikken indstillet til at give den maksimale skæredybde med en 165 mm savklinge. Når der monteres en ny savklinge, skal den nedre grænseposition på klingens altid kontrolleres og, såfremt det er påkrævet, justeres som beskrevet herunder:

1. Fjern akkuen. Sænk håndtaget helt.
2. Brug sekskantnøglen til at dreje justeringsbolten for nedre grænse, indtil savklingen sidder lidt under det sted, hvor anslaget og den øverste flade af drejeskiven mødes.

► **Fig.15:** 1. Justeringsbolt

► **Fig.16:** 1. Anslag

3. Drej savklingen med hånden, idet De holder håndtaget helt nede, for at sikre Dem, at savklingen ikke kommer i berøring med nogen del af den nederste bund. Juster om nødvendigt en smule.

**ADVARSEL:** Sørg altid for, når en ny klinge er monteret, og med akkuen fjernet, at klingens ikke kommer i berøring med nogen dele på den nedre bund, når grebet sænkes helt. Hvis klingens kommer i berøring med bunden, kan det medføre tilbageslag med alvorlig personskade til følge.

► **Fig.17**

## Underanslag

### Landespecifikt

Denne maskine er udstyret med et underanslag og små underanslag.

## Underanslag

**ADVARSEL:** Fjern altid underanslaget ved udførelse af skrånit. Hvis du ikke gør dette, kan det medføre alvorlig personskade.

► **Fig.18:** 1. Underanslag

Ved udførelse af andre snit end skrånit skal underanslaget anvendes til at understøtte arbejdsemnet.

## Lille underanslag

**FORSIGTIG:** Ved udførelse af højre skrånit skal de små underanslag foldes sammen. Ellers kan de komme i kontakt med klingens eller en del af maskinens med risiko for, at operatøren kommer alvorligt til skade.

► **Fig.19:** 1. Lille underanslag 2. Skala

Ved udførelse af lodret snit eller venstre skrånit skal de vippes opad for at understøtte arbejdsemnet. Anslaget har en skala med 10 mm intervaller.

## Justering af geringsvinklen

► **Fig.20:** 1. Fastgøringsskruer 2. Drejeskive  
3. Vinkelskala 4. Viser

1. Løsn fastgøringsskruen i retningen mod uret.
2. Juster vinklen af drejeskiven. Brug viseren og geringskalaen som guide.
3. Stram fastgøringsskruen fast i retningen med uret.

**FORSIGTIG:** Efter ændring af geringsvinklen skal drejeskiven altid sikres ved at stramme fastgøringsskruen fast.

**BEMÆRKNING:** Når drejeskiven drejes, skal håndtaget været helt hævet.

## Justering af skrævinklen

For at justere vinklen ved skrånit drejes håndtaget bag på maskinen nedad.

► **Fig.21:** 1. Håndtag

Hold håndtaget nede, og vip savhovedet for at vippe klingens mod venstre. Brug skrånitskalaen og viseren som guide. Drej derefter håndtaget fast opad for at fastgøre savhovedet.

► **Fig.22:** 1. Viser 2. Skrånitskala

For at vippe klingens mod højre skal du holde håndtaget nede og vippe savhovedet let mod venstre og trykke på udløserknappen. Hold udløserknappen nedtrykket, og vip savklingen mod højre. Drej håndtaget fast opad for at fastgøre savhovedet.

► **Fig.23:** 1. Udløserknop

**FORSIGTIG:** Efter ændring af skrævinklen skal savhovedet altid fastgøres ved at dreje håndtaget fast opad.

**BEMÆRKNING:** Når savklingen vippe, skal De sørge for, at grebet er helt hævet.

**BEMÆRKNING:** Når skråvinklerne ændres, skal De placere indlægspladerne korrekt som forklaret i afsnittet "Placering af indlægsplade".

## Indstilling af 46° skråvinkel

1. Løsn håndtaget, og vip klingen helt til venstre eller højre.

► **Fig.24:** 1. Håndtag

2. For at vippe klingen mod venstre skal du holde håndtaget nede og vippe savhovedet let mod højre og derefter flytte udløserhåndtaget i pilens retning. Skråvinklen kan justeres mellem 45° til 46° ved at vippe savhovedet, idet udløserhåndtaget flyttes.

For at vippe klingen mod højre skal du holde håndtaget nede og vippe savhovedet let mod venstre og derefter flytte udløserhåndtaget i pilens retning. Skråvinklen kan justeres mellem 45° til 46° ved at vippe savhovedet, idet udløserhåndtaget flyttes.

► **Fig.25:** 1. Håndtag 2. Udløserhåndtag

3. Drej håndtaget fast opad for at fastgøre savhovedet.

## Justering af håndtagets position

Hvis håndtaget i tidens løb ikke sørger for fuld stramning, skal håndtagets position ændres. Håndtaget kan flyttes i trin på 30°. Løsn og fjern den skrue, der holder håndtaget. Fjern håndtaget, og monter det igen på en sådan måde, at det er en smule over vandret. Stram derefter håndtaget godt med skruen.

► **Fig.26:** 1. Håndtag 2. Skrue

## Afbryderfunktion

**⚠ ADVARSEL:** Inden akkuen monteres på værktøjet, skal De altid kontrollere, at afbryderkontakten fungerer korrekt og returnerer til "OFF"-stillingen, når den slippes. Anvendelse af værktøjet med en afbryderkontakt, som ikke fungerer korrekt, kan føre til, at De mister herredømmet over værktøjet med alvorlig personskaade til følge.

**⚠ ADVARSEL:** Anvend ALDRIG værktøjet, hvis afbryderkontakten ikke fungerer, som den skal. Ethvert værktøj med en ikke-virkende afbryderkontakt er YDERST FARLIG og skal repareres før yderligere anvendelse, da det ellers kan medføre alvorlig personskaade.

**⚠ ADVARSEL:** Af hensyn til Deres sikkerhed er dette værktøj forsynet med en aflåseknop, der forhindrer utilsigtet start af værktøjet. Anvend ALDRIG værktøjet, hvis det kører, når blot De trykker på afbryderkontakten, uden at der først er trykket på aflåseknappen. En afbryderkontakt, der bør repareres, kan medføre utilsigtet drift og alvorlig personskaade. Indlevér værktøjet til et Makita servicecenter til reparation FØR yderligere anvendelse.

**⚠ ADVARSEL:** Aflåseknappen må ALDRIG sættes ud af kraft ved at tape den fast eller på nogen anden måde. En afbryderkontakt med en aflåseknop, der er sat ud af kraft, kan medføre utilsigtet drift og alvorlig personskaade.

**BEMÆRKNING:** Tryk ikke hårdt på afbryderkontakten uden først at trykke aflåseknappen ind. Dette kan ødelægge afbryderkontakten.

For at forhindre, at afbryderknappen trykkes ind ved et uheld, er maskinen udstyret med en aflåseknop. Maskinen startes ved at trykke aflåseknappen ind og derefter trykke på afbryderknappen. Slip afbryderknappen for at stoppe.

► **Fig.27:** 1. Aflåseknop 2. Hul til hængelås  
3. Afbryderknop

## Tænding af lampen

**⚠ FORSIGTIG:** Lampen er ikke regntæt. Undlad at vaske lampen i vand eller at bruge den i regnvejr eller i et vådt område. Hvis du gør dette, kan det medføre elektrisk stød og dampe.

**⚠ FORSIGTIG:** Undlad at berøre lampens linse, da den er meget varm, når den er tændt, eller kort efter at der slukkes for den. Dette kan medføre forbrændinger på en menneske krop.

**⚠ FORSIGTIG:** Undlad at bruge magt på lampen, da det kan medføre beskadigelse eller forkortet levetid.

**⚠ FORSIGTIG:** Undlad vedvarende at føre lysstrålen ind i øjnene. Dette kan medføre beskadigelse af dine øjne.

**⚠ FORSIGTIG:** Undlad at tildække lampen med tøj, karton, pap eller lignende genstande, mens den er tændt, da det kan medføre brand eller selvantændelse.

**⚠ FORSIGTIG:** Kig aldrig direkte på lyskilden. Lad ikke lyset falde i Deres øjne.

Tryk på den øverste position (I) af kontakten for at tænde for lampen. Tryk på den nederste position (0) af kontakten for at slukke for lampen.

► **Fig.28:** 1. Lampe 2. Lampekontakt

**BEMÆRK:** Brug en tør klud til at tørre snavset af lampens linse. Pas på ikke at ridse lampens linse, da dette muligvis kan dæmpe belysningen.

**BEMÆRK:** Sørg altid for at slukke på kontakten, da der forbruges batteristrom, når der er tændt på kontakten.

## Brug af laserstråle

**⚠ FORSIGTIG:** Se aldrig ind i laserstrålen. En direkte laserstråle kan skade dine øjne.

Tryk på den øverste position (I) på kontakten for at tænde for laserstrålen. Tryk på den nederste position (0) på kontakten for at slukke for laserstrålen.

► **Fig.29:** 1. Laserkontakt

**BEMÆRK:** Sørg altid for at slukke på kontakten, da der forbruges batteristrom, når der er tændt på kontakten.

Laserlinjen kan flyttes til enten venstre eller højre side af rundsavsklingen ved at dreje justeringsskruen på følgende måde.

► **Fig.30:** 1. Justeringsskrue

1. Løsn justeringsskruen ved at dreje den i retningen mod uret.
2. Når justeringsskruen er løst, skal du skubbe justeringsskruen mod højre eller venstre, så langt som den kan komme.
3. Spænd justeringsskruen stramt i den position, hvor den holder op med at glide.

**BEMÆRK:** Laserlinjen er justeret fra fabrikken, så den er placeret inden for 1 mm fra rundsavsklingens sideflade (skærepositionen).

**BEMÆRK:** Hvis laserlinjen er svag og vanskelig at se på grund af direkte sollys, skal du flytte arbejdsområdet til et sted med mindre direkte sollys.

### Justering af laserlinjen

Justér skærelinjen på arbejdsområdet i forhold til laserlinjen.

► **Fig.31**

- A) Når du ønsker at opnå den korrekte størrelse i venstre side af arbejdsområdet, skal du flytte laserlinjen til venstre for rundsavsklingen.
- B) Når du ønsker at opnå den korrekte størrelse i højre side af arbejdsområdet, skal du flytte laserlinjen til højre for rundsavsklingen.

## SAMLING

**⚠ ADVARSEL:** Sørg altid for, at værktøjet er slukket, og at akkuen er taget ud, før der arbejdes på værktøjet. Hvis værktøjet ikke afbrydes og tages ud af forbindelse, kan det medføre alvorlig personskade.

### Opbevaring af sekskantnøgle

Sekskantnøglen opbevares som vist på illustrationen. Når sekskantnøglen skal anvendes, kan den tages ud af nøgleholderen.

Når sekskantnøglen er blevet anvendt, kan den opbevares ved, at man lægger den tilbage i nøgleholderen.

► **Fig.32:** 1. Nøgleholder 2. Sekskantnøgle

### Montering eller afmontering af savklingen

**⚠ ADVARSEL:** Vær altid sikker på, at der er slukket for værktøjet, og at akkuen er taget ud, inden savklingen monteres eller afmonteres. Utilsigtet start af værktøjet kan medføre alvorlig personskade.

**⚠ FORSIGTIG:** Anvend kun den sekskantnøgle, som er leveret af Makita, til at montere eller afmontere savklingen. Anvendelse af andre topnøgler kan medføre en for hård eller for let tilspænding af boltene med indvendig sekskant. Dette kan medføre personskade.

Udfør følgende trin for at fjerne klingens:

1. Frigør stopstiften, og lås derefter håndtaget i den hævede position ved at skubbe stopstiften ind.

► **Fig.33:** 1. Stopstift

2. Brug sekskantnøglen til at løsne den bolt med indvendig sekskant, der holder midterafdækningen, ved at dreje den i retningen mod uret. Løft derefter beskyttelsesskærmen og midterafdækningen.

► **Fig.34:** 1. Midterafdækning 2. Bolt med indvendig sekskant 3. Sekskantnøgle 4. Beskyttelsesskærm

3. Tryk på spindellåsen, så spindelen låses, og anvend sekskantnøglen til at løsne boltene med indvendig sekskant i retningen med uret. Fjern derefter boltene med indvendig sekskant fra spindelen, den ydre flange og savklingen.

► **Fig.35:** 1. Spindellås 2. Bolt med indvendig sekskant 3. Ydre flange

4. Hvis den indre flange fjernes, skal den monteres på spindelen med klingemonteringsdelen vendende mod klingens. Hvis flangen monteres forkert, vil den gnide mod værktøjet.

► **Fig.36:** 1. Ydre flange 2. Savklinge 3. Indre flange 4. Bolt med indvendig sekskant (venstreskåret) 5. Spindel 6. Klingemonteringsdel

Udfør følgende trin for at montere klingens:

1. Monter klingens forsigtigt på den indre flange.

Kontroller, at retningen af pælen på klingens svarer til retningen af pælen på klingehuset.

► **Fig.37:** 1. Savklinge 2. Pil

2. Monter den ydre flange og boltene med indvendig sekskant. Benyt derefter sekskantnøglen til at spænde boltene med indvendig sekskant (venstreskåret gevind) på spindelen fast ved at dreje den mod uret, mens der trykkes på spindellåsen.

3. Sæt beskyttelsesskærmen og midterafdækningen tilbage på plads. Stram dernæst boltene med indvendig sekskant på midterafdækningen til i retningen med uret for at holde midterafdækningen på plads.

4. Frigør håndtaget fra dets hævede position ved at trække i stopstiften. Sænk håndtaget for at sikre, at beskyttelsesskærmen bevæger sig på korrekt vis.

5. Sørg for, at spindellåsen er udløst, før der saves.

### For værktøj med indre flange til savklinge med 15,88 mm hul diameter

#### Landespecifikt

Monter den indre flange med siden med fordybningen udad på monteringskæft, og placer derefter savklingen (med ringen monteret, hvis det er nødvendigt), den ydre flange og sekskantboltene.

#### Til maskiner uden ring

► **Fig.38:** 1. Ydre flange 2. Savklinge 3. Indre flange 4. Bolt med indvendig sekskant (venstreskåret) 5. Spindel

#### Til maskiner med ring

► **Fig.39:** 1. Ydre flange 2. Savklinge 3. Indre flange 4. Bolt med indvendig sekskant (venstreskåret) 5. Ring 6. Spindel

**⚠ ADVARSEL:** Hvis ringen er nødvendig for at montere klingen på spindelen, skal du altid sikre dig, at den korrekte ring til klingens dornhul, som du vil anvende, er installeret mellem de indre og ydre flanger. Brug af en ring med et forkeret dornhul kan medføre forkeret montering af klingens, så klingens bevæger sig og forårsager kraftig vibration, hvilket kan medføre, at du mister herredømmet under anvendelsen, og forårsage alvorlig personskade.

## For værktøj med en indre flange til savklinger med andet end 20 mm eller 15,88 mm huldiameter

### Landespecifikt

Den indre flange har en klingemonteringsdel med en bestemt diameter på den ene side og en anden diameter på den anden side. Vælg den rigtige side, hvor klingemonteringsdelen passer perfekt ind i hullet på savklingen.

► **Fig.40:** 1. Ydre flange 2. Savklinge 3. Indre flange 4. Bolt med indvendig sekskant (venstre-skåret) 5. Spindel 6. Klingemonteringsdel

**⚠ FORSIGTIG:** Sørg for, at klingemonteringsdelen "a" på den indre flange, der er placeret udenfor, passer perfekt i savklinge "a". Hvis klingens monteres på den forkerte side, kan det medføre farlig vibration.

## Støvpose

Anvendelse af støvposen giver et renere arbejdsmiljø og gør det nemmere at opsamle støv. Støvposen sættes på ved, at posens mundstykke sættes over støvmundstykket.

Når støvposen er cirka halvt fyldt, tages den af værktøjet og lukkeskinnen trækkes ud. Tøm støvposen, og bank let på den, så de støvpartikler, der har samlet sig på de indvendige flader og som kan nedsætte effektiviteten af støvsopsamlingen, fjernes.

► **Fig.41:** 1. Støvpose 2. Støvtud 3. Lukkeskinne

**BEMÆRK:** Hvis De tilslutter en støvsuger til dette værktøj, kan renere udsugning opnås.

► **Fig.42**

## Fastspænding af arbejdsmenet

**⚠ ADVARSEL:** Det er yderst vigtigt altid at fastgøre arbejdsmenet korrekt ved hjælp af skruestikken. Forsømmelse af at gøre dette kan medføre alvorlig personskade og forvolde skade på maskinen og/eller arbejdsmenet.

**⚠ ADVARSEL:** Når der skræres i et arbejdsmene, som er længere end savens støtteplade, skal materialet understøttes i hele dets længde ud over støttepladen og i samme højde for at holde materialet plant. En ordentlig understøttelse af arbejdsmenet vil bidrage til at undgå fastklemning af klingens og eventuelt tilbageslag, hvilket kan medføre alvorlig personskade. Forlad dig ikke udelukkende på den lodrette og/eller vandrette skruestik ved fastspænding af emnet. Tynde materialer har en tendens til at bøje. Understøt et emne i hele dets længde, så det undgås, at klingens klemmes fast med risiko for TILBAGESLAG.

► **Fig.43:** 1. Støtte 2. Drejeskive

## Lodret skruestik

**⚠ ADVARSEL:** Fastgør arbejdsmenet fast mod drejeskiven og anslaget med skruestikken under alt arbejde. I modsat fald kan materialet flytte sig under skæringen, beskadige klingens og blive kastet ud, hvilket kan medføre tab af kontrollen og forårsage alvorlig personskade.

Monter den lodrette skruestik i enten venstre eller højre side af anslaget. Sæt skruestangen ind i hullet på anslaget, og stram den nederste skrue for at holde skruestangen på plads.

► **Fig.44:** 1. Skruearm 2. Skruenap 3. Anslag 4. Drejeskive 5. Nederste skrue 6. Øverste skrue 7. Skruestang

Indstil skruearmen efter arbejdsmennets tykkelse og form, og fastspænd den ved at stramme den øverste skrue. Hvis den øverste skrue kommer i kontakt med anslaget, skal skruen monteres på den anden side af skruearmen. Sørg for, at ingen del af maskinen kommer i kontakt med skruestikken, når håndtaget sænkes helt. Hvis nogen del berører skruestikken, skal skruestikken flyttes. Tryk arbejdsmenet fladt mod anslaget og drejeskiven. Juster arbejdsmenet til den ønskede skråningsposition, og fastgør det ved at stramme skruenappen.

## Montering af skulderselen

### Ekstraudstyr

**⚠ FORSIGTIG:** Sørg for at fjerne skulderselen, før maskinen anvendes. Skulderselen kan blive omviklet og forårsage personskade.

**⚠ FORSIGTIG:** Sørg for at montere krogene på skulderselen forsvarligt på maskinen. Hvis krogene er ufuldstændigt monteret, kan de gå løs og forårsage personskade.

Skulderselen er praktisk til transport af maskinen. Monter krogene på skulderselen på maskinen som vist i figuren.

► **Fig.45:** 1. Skuldersele 2. Krog

## ANVENDELSE

Dette værktøj er beregnet til at skære i træprodukter. Der kan også saves i følgende materialer med passende originale Makita-savklinger:

— Aluminiumsprodukter

Se vores hjemmeside eller kontakt din lokale Makita forhandler for at få oplyst de korrekte rundsavklinger til brug for det materiale, der skal skræres.

**⚠ ADVARSEL:** Sørg for, at savklingen ikke berører arbejdsmenet, el. lign. før værktøjet startes. Hvis der tændes for værktøjet, mens klingens er i berøring med arbejdsmenet, kan det medføre tilbageslag og alvorlig personskade.

**⚠ ADVARSEL:** Efter en skæring må klingens ikke hæves, før den er standstørd. Hvis en klinge, der kører i frihjul, hæves, kan det medføre alvorlig personskade og beskadige arbejdsmenet.

**⚠ FORSIGTIG:** Undlad at frigøre savhovedet ukontrolleret fra den helt nedadgående position. Et ukontrolleret savhoved kan ramme dig og resultere i personskade.

**BEMÆRKNING:** Før brugen bør håndtaget altid frigøres fra den nederste stilling, ved at der trækkes i stopstiften.

**BEMÆRKNING:** Læg ikke for meget tryk på håndtaget, når der savnes. Et for kraftigt tryk kan resultere i overbelastning af motoren og/eller formindsket saveeffektivitet. Tryk kun håndtaget ned med så megen kraft, som der kræves for at udføre ubesværet savning, og uden at klingens hastighed reduceres ret meget.

**BEMÆRKNING:** Tryk forsigtigt håndtaget ned for at udføre savningen. Hvis håndtaget trykkes ned med magt, eller hvis det udsættes for sidelæns tryk, kan savklingen vibrere og efterlade mærker (savmærker) på arbejdsemnet, og savningen vil muligvis ikke være nøjagtig.

## Savning ved tryk (savning i små arbejdsemner)

### ► Fig.46

Arbejdsemner op til 46 mm i højden og 92 mm i bredden kan savnes på følgende måde.

1. Fastspænd arbejdsemnet ved hjælp af skruestikken.
2. Tænd for værktøjet, uden at klingens kommer i kontakt, og vent, til klingens er kommet op på fulde omdrejninger, inden sænkning.
3. Sænk derefter grebet forsigtigt til den helt sænkede position for at skære arbejdsemnet.
4. Når savningen er færdig, skal De slukke for værktøjet og **vente, til klingens er stoppet helt**, før klingens returneres til dens øverste position.

## Geringssnit

Se afsnittet om justering af geringsvinklen.

## Skråsnit

**⚠ ADVARSEL:** Sørg for, efter indstilling af klingens til skråsnit, og inden maskinen betjenes, at savhovedet og klingens kan bevæge sig uhindret gennem hele området for det planlagte snit. Afbrydelse af savhovedets eller klingens bevægelse under skæringen kan medføre tilbageslag og alvorlig personskade.

**⚠ ADVARSEL:** Hold hænderne uden for klingens bane, når et skråsnit udføres. Klingens vinkel kan forvirre operatøren med hensyn til klingens faktiske bane under skæringen, og kontakt med klingens vil medføre alvorlig personskade.

**⚠ ADVARSEL:** Klingens bør ikke hæves, før den er stoppet helt. Under et skråsnit kan det afskårne stykke komme til at hvile mod klingens. Hvis klingens hæves, mens den roterer, kan det afskårne stykke blive slynget bort fra klingens, hvilket kan bevirke, at materialet fragmenteres, og medføre alvorlig personskade.

**⚠ ADVARSEL:** Fjern altid underanslaget ved udførelse af skråsnit. Hvis du ikke gør dette, kan det medføre alvorlig personskade.

### ► Fig.47

1. Løsn håndtaget, og vip savklingen for at indstille vinklen til skråsnit (vi henviser til det tidligere afsnit "Justering af skråvinklen"). Sørg for at spænd armen godt fast igen, så skråsnitvinklen ikke ændrer sig.
2. Fastspænd arbejdsemnet i skruestikken.
3. Tænd for værktøjet, uden at savklingen berører arbejdsemnet, og vent, til klingens er kommet op på fulde omdrejninger.
4. Sænk forsigtigt håndtaget til den helt sænkede position, idet der trykkes parallelt med klingens for at skære i arbejdsemnet.
5. Når savningen er færdig, skal De slukke for værktøjet og **vente, til klingens er stoppet helt**, før klingens returneres til dens øverste position.

**BEMÆRKNING:** Når håndtaget trykkes ned, skal dette gøres, samtidig med at savklingen trykkes ned. Hvis der bruges magt lodret på drejeskiven, eller hvis trykket ændres under bearbejdningen, bliver det udførte snit ikke nøjagtigt.

## Kombineret snit

Kombineret snit er betegnelsen for den proces, hvor der frembringes en skråvinkel, samtidig med at der laves en geringsvinkel i arbejdsemnet. Kombineret snit kan udføres i en vinkel som vist i nedenstående tabel.

Geringsvinkel	Skråvinkel
Venstre og højre 45°	Venstre og højre 0° - 45°
Højre 52°	Venstre 20° - Højre 45°
Venstre 52°	Venstre 45° - Højre 20°

Se forklaringerne "Savning ved tryk", "Geringssnit" og "Skråsnit" ved udførelse af kombineret snit.

## Skæring af aluminiumekstrudering

- Fig.48: 1. Skruestik 2. Mellemblok 3. Anslag 4. Aluminiumekstrudering 5. Mellemblok

Ved fastgøring af aluminiumekstruderinger skal der benyttes mellemblokke eller stykker af affaldstræ som vist i figuren til at forhindre deformation af aluminiummet. Brug et skæresmøremiddel ved skæring af aluminiumekstruderinger for at forhindre, at der opsamles aluminiumsmateriale på klingens.

**⚠ FORSIGTIG:** Forsøg aldrig at skære i tykke eller runde aluminiumekstruderinger. Tykke aluminiumekstruderinger kan rive sig løs under arbejdet, og runde aluminiumekstruderinger kan ikke fastgøres forsvarligt på denne maskine.

## Skæring af ensartede længder

Hvis flere stykker materiale skal skæres til den samme længde mellem 200 mm og 330 mm, skal De bruge indstillingspladen (ekstraudstyr). Monter indstillingspladen på holderen (ekstraudstyr) som vist på illustrationen.

- Fig.49: 1. Indstillingsplade 2. Holder 3. Skruer

Ret snitlinjen på arbejdsemnet ind efter enten den venstre eller højre side af slidens i indlægspladen. Mens arbejdsemnet holdes fast, bringes indstillingspladen i flugt med enden af arbejdsemnet. Fastgør derefter indstillingspladen med skruer. Når indstillingspladen ikke anvendes, løsnes skruer, og indstillingspladen drejes væk, så den ikke er i vejen.

## Transport af værktøjet

**⚠ ADVARSEL:** Stopstiften er kun til transport- og opbevaringsformål og må aldrig anvendes til skærearbejde. Anvendelse af stopstiften til skærearbejde kan føre til, at savklingen uventet bevæger sig med tilbageslag og personskade til følge.

**⚠ FORSIGTIG:** Fastgør altid alle bevægelige dele, før maskinen transporteres. Hvis dele af maskinen bevæger sig, når den bæres, kan det medføre tab af herredømmet eller balancen, hvilket kan medføre personskade.

1. Fjern akkuen.
2. Fastgør klingens ved  $0^\circ$  skråsnitvinkel, og drej drejeskiven til den fulde højre geringsvinkelposition.  
▶ **Fig.50:** 1. Drejeskive
3. Sænk håndtaget fuldstændigt, og lås det i den laveste position ved at skubbe stopstiften ind.
4. Bær maskinen ved at holde i håndtaget.  
▶ **Fig.51**

## VEDLIGEHOLDELSE

**⚠ ADVARSEL:** Sørg altid for, at klingens er skarp og ren, for at opnå det bedste resultat. Forsøg på at skære med en sløv og/eller snavset klinge kan medføre tilbageslag og resultere i alvorlig personskade.

**⚠ FORSIGTIG:** Vær altid sikker på, at værktøjet er slukket, og at akkuen er taget ud, inden De begynder at udføre inspektion eller vedligeholdelse.

**BEMÆRKNING:** Anvend aldrig benzin, rensbenzin, fortynder, alkohol og lignende. Det kan medføre misfarvning, deformation eller revner.

For at opretholde produktets SIKKERHED og PÅLIDELIGHED må reparation, vedligeholdelse eller justering kun udføres af et autoriseret Makita servicecenter eller fabrikksservicecenter med anvendelse af Makita reservedele.

## Justering af skærevinklen

Dette værktøj er omhyggeligt indstillet og justeret på fabrikken, men indstillingerne kan ændre sig under transport og brug. De kan selv foretage indstillinger som beskrevet herunder, hvis værktøjet ikke er indstillet korrekt:

### Geringsvinkel

1. Løsn fastgøringsskruen i retningen mod uret.
2. Drej drejeskiven, så viseren står ud for  $0^\circ$  på vinkelskalaen.  
▶ **Fig.52:** 1. Fastgøringsskrue 2. Drejeskive 3. Geringskala 4. Viser

3. Drej drejeskiven en smule i retningen med og mod uret for at stille drejeskiven i  $0^\circ$  mærket. (Lad den være som den er, hvis viseren ikke viser  $0^\circ$ .)

4. Løsn boltene med indvendig sekskant, som holder anslaget, med sekskantsnøglen.

▶ **Fig.53:** 1. Anslag 2. Bolt med indvendig sekskant

▶ **Fig.54:** 1. Anslag 2. Bolt med indvendig sekskant

5. Sænk håndtaget fuldstændigt, og lås det i den laveste position ved at skubbe stopstiften ind.

6. Juster anslaget, indtil det danner en ret vinkel med klingens, ved hjælp af en trekantslineal, anslagsvinkel osv. Stram derefter boltene med indvendig sekskant på anslaget.

▶ **Fig.55:** 1. Anslag 2. Trekantslineal 3. Savklinge

7. Sørg for, at viseren står ud for  $0^\circ$  på vinkelskalaen. Hvis den ikke står ud for  $0^\circ$ , løsnes skruen, som holder viseren, og viseren justeres, til den står ud for  $0^\circ$ .

▶ **Fig.56:** 1. Skruer 2. Vinkelskala 3. Viser

## Skråvinkel

### $0^\circ$ skråvinkel

1. Sænk håndtaget fuldstændigt, og lås det i den laveste position ved at skubbe stopstiften ind.

2. Løsn håndtaget på bagsiden af maskinen.

3. Drej  $0^\circ$  skråvinkeljusteringsboltene på højre side af savhovedet to eller tre omgange i retningen mod uret for at vippe klingens mod højre.

▶ **Fig.57:** 1. Justeringsbolt 2. Håndtag

4. Drej forsigtigt justeringsboltene til  $0^\circ$  skråvinkel i retningen med uret, indtil siden af klingens danner en ret vinkel med overfladen af drejeskiven. Brug trekantslinealen, anslagsvinklen osv. som guide. Fastspænd derefter håndtaget godt.

▶ **Fig.58:** 1. Trekantslineal 2. Savklinge 3. Overflade på drejeskive

5. Sørg for, at viseren på armen viser  $0^\circ$  på vinkelskalaen. Hvis den ikke viser  $0^\circ$ , løsnes skruen, som holder viseren, og viseren justeres, så den står ud for  $0^\circ$ .

▶ **Fig.59:** 1. Skruer 2. Viser 3. Skråsnitskala

### $45^\circ$ skråvinkel

Indstil kun  $45^\circ$  skråvinklen efter først at have udført justeringen for  $0^\circ$  skråvinklen.

1. Løsn håndtaget, og vip klingens helt til venstre.

2. Sørg for, at viseren på armen viser  $45^\circ$  på skråsnitskalaen. Hvis viseren ikke viser  $45^\circ$ , drejes den venstre  $45^\circ$  skråvinkeljusteringsbolt på højre side af armen, indtil viseren står ud for  $45^\circ$ .

▶ **Fig.60:** 1. Højre  $45^\circ$  skråvinkeljusteringsbolt 2. Viser 3. Venstre  $45^\circ$  skråvinkeljusteringsbolt

3. Vip klingens helt mod højre, og juster derefter den højre  $45^\circ$  skråvinkel ved hjælp af den højre  $45^\circ$  skråvinkeljusteringsbolt.

▶ **Fig.61:** 1. Savklinge 2. Trekantslineal



## Justering af laserlinjens position

**⚠ ADVARSEL:** Akkuen skal være monteret i maskinen ved justering af laserlinjen. Vær ekstra forsigtig med ikke at tænde for maskinen under justeringen. Utilsigtet start af maskinen kan medføre alvorlig personskade.

**⚠ FORSIGTIG:** Se aldrig direkte ind i laserstrålen. Hvis øjnene udsættes direkte for strålen, kan det medføre alvorlig skade på dine øjne.

**BEMÆRKNING:** Kontroller regelmæssigt nøjagtigheden af laserlinjens position.

**BEMÆRKNING:** Vær opmærksom på stød på maskinen. Det kan medføre, at laserlinjen bliver fejiljusteret, eller kan forårsage skade på laseren og forkorte dens levetid.

**BEMÆRKNING:** Få maskinen repareret på et Makita autoriseret servicecenter, hvis der er nogen form for fejl i laserenheden.

Laserlinjens bevægelige område bestemmes af områdejusteringsskruerne i begge sider. Følg de følgende procedurer for at ændre laserlinjens position.

1. Fjern akkuen.
2. Tegn en skærelinje på arbejdsemnet, og placer det på drejeskiven. Fastgør ikke arbejdsemnet i en skruestik eller lignende udstyr til fastgørelse på dette tidspunkt.
3. Sænk håndtaget, og juster skærelinjen i forhold til savklingen.  
▶ Fig.62: 1. Skærelinje
4. Sæt håndtaget tilbage i den oprindelige position, og fastgør arbejdsemnet med den lodrette skruestik, så arbejdsemnet ikke kan bevæge sig fra den position, du har fastlagt.  
▶ Fig.63: 1. Skruestik
5. Monter akkuen i maskinen, og tænd på laserkontakten.
6. Løsn justeringsskruen. For at flytte laserlinjen væk fra klingens skal du dreje områdejusteringsskruerne i retningen mod uret. For at flytte laserlinjen tættere på klingens skal du dreje områdejusteringsskruerne i retningen med uret.

### Justering af laserlinjen til venstre for klingens

- ▶ Fig.64: 1. Justeringsskruen  
2. Områdejusteringsskruen 3. Sekskantnøgle  
4. Laserlinje 5. Savklinge

### Justering af laserlinjen til højre for klingens

- ▶ Fig.65: 1. Områdejusteringsskruen 2. Sekskantnøgle  
3. Laserlinje 4. Savklinge

7. Skub justeringsskruen til den position, hvor laserlinjen ligger oven på skærelinjen, og tilspænd derefter.

**BEMÆRK:** Laserlinjens bevægelige område er justeret fra fabrikken inden for 1 mm fra klingens sideoverflade.

## Rengøring af laserlysets linse

Laserlyset bliver svært at se, hvis linsen til laserlyset bliver snavset. Rengør regelmæssigt linsen til laserlyset. Fjern akkuen. Løsn skruen, og træk linsen ud. Rengør forsigtigt linsen med en fugtig blød klud.

▶ Fig.66: 1. Skruen

▶ Fig.67: 1. Linse

**BEMÆRKNING:** Undlad at fjerne den skruen, der holder linsen. Løsn skruen lidt mere, hvis linsen ikke kommer ud.

**BEMÆRKNING:** Anvend ikke opløsningsmidler eller oliebaseerede rengøringsmidler på linsen.

## Efter anvendelse

Efter anvendelse aftørres spåner eller støv, der måtte klæbe til værktøjet, med en klud eller lignende. Hold beskyttelsesskærmen ren som beskrevet i afsnittet "Beskyttelsesskærm". Smør de glidende dele på værktøjet med maskinolie for at forhindre rustdannelse.

## EKSTRAUDSTYR

**⚠ ADVARSEL:** Dette Makita udstyr og tilbehør bør anvendes sammen med Deres Makita værktøj, sådan som det er beskrevet i denne brugsanvisning. Anvendelse af andet ekstraudstyr eller tilbehør kan medføre alvorlig personskade.

**⚠ ADVARSEL:** Anvend kun Makita ekstraudstyr eller tilbehør til det beregnede formål. Misbrug af ekstraudstyr eller tilbehør kan medføre alvorlig personskade.

Hvis De behøver hjælp ved valg af tilbehør eller ønsker yderligere informationer, bedes De kontakte Deres lokale Makita servicecenter.

- Savklinge med hårdmetalplade
- Holderstangenhed
- Indstillingsplade
- Skuldersele
- Original Makita-akku og oplader

**BEMÆRK:** Nogle ting på denne liste kan være inkluderet i værktøjsspakken som standardtilbehør. Det kan være forskellige fra land til land.

## ΠΡΟΔΙΑΓΡΑΦΕΣ

<b>Μοντέλο:</b>	<b>DL S600</b>
Διάμετρος λάμας	165 mm
Διάμετρος οπής (στελέχους)	20 mm
Μέγιστη λοξή γωνία	Αριστερά 52°, Δεξιά 52°
Μέγιστη κωνική γωνία	Αριστερά 45° (46° όταν χρησιμοποιείται ο μοχλός ελευθέρωσης), Δεξιά 45° (46° όταν χρησιμοποιείται ο μοχλός ελευθέρωσης)
Ταχύτητα χωρίς φορτίο	5.000 min <sup>-1</sup>
Τύπος λέιζερ	Κόκκινο λέιζερ 650 nm, Μέγιστη έξοδος < 1,6 mW (Τάξη λέιζερ 2M)
Διαστάσεις (Μ x Π x Υ)	340 mm x 400 mm x 440 mm
Ονομαστική τάση	D.C. 18 V
Καθαρό βάρος	6,3 - 6,6 kg

### Μέγιστη Ικανότητα κοπής (Υ x Π) με λάμα 165 mm

Λοξή γωνία	Κωνική γωνία		
	45° (αριστερά)	0°	45° (δεξιά)
0°	30 mm x 92 mm	46 mm x 92 mm	15 mm x 92 mm
45° (αριστερά και δεξιά)	30 mm x 65 mm	46 mm x 65 mm	15 mm x 65 mm

- Λόγω του συνεχιζόμενου προγράμματος έρευνας και ανάπτυξης, οι προδιαγραφές αυτές υπόκεινται σε αλλαγές χωρίς προειδοποίηση.
- Οι προδιαγραφές και η κασέτα μπαταριών μπορεί να διαφέρουν ανάλογα με τη χώρα.
- Το βάρος μπορεί να διαφέρει ανάλογα με τα προσαρτήματα, συμπεριλαμβάνοντας την κασέτα μπαταριών. Ο ελαφρύτερος και ο βαρύτερος συνδυασμός, σύμφωνα με τη διαδικασία ΕΡΤΑ 01/2014, παρουσιάζονται στον πίνακα.

### Ισχύουσα κασέτα μπαταριών και φορτιστής

Κασέτα μπαταρίας	BL1815N / BL1820B / BL1830B / BL1840B / BL1850B / BL1860B
Φορτιστής	DC18RC / DC18RD / DC18RE / DC18SD / DC18SE / DC18SF / DC18SH

- Ορισμένες από τις κασέτες και τους φορτιστές μπαταριών που αναγράφονται παραπάνω ίσως να μην είναι διαθέσιμοι, ανάλογα με την τοποθεσία κατοικίας σας.

**⚠ ΠΡΟΕΙΔΟΠΟΙΗΣΗ:** Να χρησιμοποιείτε μόνο τις κασέτες μπαταριών και τους φορτιστές που παρατίθενται ανωτέρω. Η χρήση οποιασδήποτε άλλης κασέτας μπαταριών ή φορτιστή μπορεί να προκαλέσει τραυματισμό ή/και πυρκαγιά.

### Σύμβολα

Παρακάτω παρουσιάζονται τα σύμβολα που μπορούν να χρησιμοποιηθούν για τον εξοπλισμό. Βεβαιωθείτε ότι κατανοείτε τη σημασία τους πριν από τη χρήση.



Διαβάστε το εγχειρίδιο οδηγιών.



Φοράτε γυαλιά ασφαλείας.



Για να αποφεύγετε τον τραυματισμό από εκτοξευόμενα θραύσματα, να κρατάτε τη κεφαλή του πριονιού προς τα κάτω μετά την ολοκλήρωση των κοπών, έως ότου η λάμα ακινητοποιηθεί εντελώς.



Μην πλησιάζετε τα χέρια και τα δάκτυλα σας κοντά στη λάμα.



Μην κοπάζετε ποτέ τη δέσμη λέιζερ. Η άμεση δέσμη λέιζερ μπορεί να προκαλέσει βλάβη στα μάτια σας.



Μόνο για τις χώρες της ΕΕ  
 Λόγω της παρουσίας των επικίνδυνων συστατικών μερών στον εξοπλισμό, ο απόβλητος ηλεκτρικός και ηλεκτρονικός εξοπλισμός, οι συσσωρευτές και οι μπαταρίες μπορεί να έχουν αρνητική επίδραση στο περιβάλλον και την ανθρώπινη υγεία. Μην απορρίπτετε τις ηλεκτρικές και ηλεκτρονικές συσκευές ή μπαταρίες μαζί με τα οικιακά απορρίμματα!  
 Σύμφωνα με την Ευρωπαϊκή Οδηγία για τον απόβλητο ηλεκτρικό και ηλεκτρονικό εξοπλισμό και για τους συσσωρευτές και μπαταρίες και τους απόβλητους συσσωρευτές και μπαταρίες, καθώς και την προσαρμογή τους στην εθνική νομοθεσία, ο απόβλητος ηλεκτρικός εξοπλισμός, οι μπαταρίες και οι συσσωρευτές θα πρέπει να αποθηκεύονται ξεχωριστά και να παραδίδονται σε ξεχωριστό σημείο συλλογής για δημοτικά απόβλητα, το οποίο λειτουργεί σύμφωνα με τους κανονισμούς για την προστασία του περιβάλλοντος.  
 Αυτό υποδεικνύεται από το σύμβολο του διαγραμμένου τροχοφόρου κάδου που βρίσκεται αναρτημένο επάνω στον εξοπλισμό.

## Προοριζόμενη χρήση

Το εργαλείο προορίζεται για ευθείες και λοξές κοπές ακριβείας σε ξύλο.  
 Μη χρησιμοποιείτε το πριόνι για να κόψετε οτιδήποτε άλλο εκτός από ξύλο, αλουμίνιο ή παρόμοια υλικά.

## Θόρυβος

Το τυπικό Α επίπεδο καταμετρημένου θορύβου καθορίζεται σύμφωνα με το EN62841-3-9:  
 Στάθμη ηχητικής πίεσης ( $L_{pA}$ ): 90 dB (A)  
 Στάθμη ηχητικής ισχύος ( $L_{WA}$ ): 97 dB (A)  
 Αβεβαιότητα (K): 3 dB (A)

**ΠΑΡΑΤΗΡΗΣΗ:** Η δηλωμένη τιμή(ές) εκπομπής θορύβου έχει μετρηθεί σύμφωνα με την πρότυπη μέθοδο δοκιμής και μπορεί να χρησιμοποιηθεί για τη σύγκριση ενός εργαλείου με κάποιο άλλο.

**ΠΑΡΑΤΗΡΗΣΗ:** Η δηλωμένη τιμή(ές) εκπομπής θορύβου μπορεί να χρησιμοποιηθεί και στην προκαταρκτική αξιολόγηση της έκθεσης.

**▲ ΠΡΟΕΙΔΟΠΟΙΗΣΗ:** Να φοράτε ωτοασπίδες.

**▲ ΠΡΟΕΙΔΟΠΟΙΗΣΗ:** Η εκπομπή θορύβου κατά τη χρήση του ηλεκτρικού εργαλείου σε πραγματικές συνθήκες μπορεί να διαφέρει από τη δηλωμένη τιμή(ές) ανάλογα με τους τρόπους χρήσης του εργαλείου, ιδιαίτερα το είδος του τεμαχίου εργασίας που υπόκειται επεξεργασία.

**▲ ΠΡΟΕΙΔΟΠΟΙΗΣΗ:** Φροντίστε να λάβετε τα κατάλληλα μέτρα προστασίας του χειριστή βάσει ενός υπολογισμού της έκθεσης σε πραγματικές συνθήκες χρήσης (λαμβάνοντας υπόψη όλες τις συνιστώσες του κύκλου λειτουργίας όπως τους χρόνους που το εργαλείο είναι εκτός λειτουργίας και όταν βρίσκεται σε αδρανή λειτουργία πέραν του χρόνου ενεργοποίησης).

## Κραδασμός

Η ολική τιμή δόνησης (άθροισμα τρι-αξονικού διανύσματος) καθορίζεται σύμφωνα με το EN62841-3-9:  
 Εκπομπή δόνησης ( $a_{h1}$ ): 2,5 m/s<sup>2</sup> ή λιγότερο  
 Αβεβαιότητα (K): 1,5 m/s<sup>2</sup>

**ΠΑΡΑΤΗΡΗΣΗ:** Η δηλωμένη τιμή(ές) συνολικών κραδασμών έχει μετρηθεί σύμφωνα με την πρότυπη μέθοδο δοκιμής και μπορεί να χρησιμοποιηθεί για τη σύγκριση ενός εργαλείου με κάποιο άλλο.

**ΠΑΡΑΤΗΡΗΣΗ:** Η δηλωμένη τιμή(ές) συνολικών κραδασμών μπορεί να χρησιμοποιηθεί και στην προκαταρκτική αξιολόγηση της έκθεσης.

**▲ ΠΡΟΕΙΔΟΠΟΙΗΣΗ:** Η εκπομπή κραδασμών κατά τη χρήση του ηλεκτρικού εργαλείου σε πραγματικές συνθήκες μπορεί να διαφέρει από τη δηλωμένη τιμή(ές) εκπομπής ανάλογα με τους τρόπους χρήσης του εργαλείου, ιδιαίτερα το είδος του τεμαχίου εργασίας που υπόκειται επεξεργασία.

**▲ ΠΡΟΕΙΔΟΠΟΙΗΣΗ:** Φροντίστε να λάβετε τα κατάλληλα μέτρα προστασίας του χειριστή βάσει ενός υπολογισμού της έκθεσης σε πραγματικές συνθήκες χρήσης (λαμβάνοντας υπόψη όλες τις συνιστώσες του κύκλου λειτουργίας όπως τους χρόνους που το εργαλείο είναι εκτός λειτουργίας και όταν βρίσκεται σε αδρανή λειτουργία πέραν του χρόνου ενεργοποίησης).

## Δήλωση συμμόρφωσης ΕΚ

*Μόνο για χώρες της Ευρώπης*

Η δήλωση συμμόρφωσης ΕΚ περιλαμβάνεται ως Παράρτημα Α στο παρόν εγχειρίδιο οδηγιών.

## ΠΡΟΕΙΔΟΠΟΙΗΣΕΙΣ ΑΣΦΑΛΕΙΑΣ

### Γενικές προειδοποιήσεις ασφαλείας για το ηλεκτρικό εργαλείο

**▲ ΠΡΟΕΙΔΟΠΟΙΗΣΗ:** Διαβάστε όλες τις προειδοποιήσεις ασφάλειας, οδηγίες, εικονογραφίες και προδιαγραφές που παρέχονται με αυτό το ηλεκτρικό εργαλείο. Η μη τήρηση όλων των οδηγιών που αναγράφονται κατωτέρω μπορεί να καταλήξει σε ηλεκτροπληξία, πυρκαγιά ή/και σοβαρό τραυματισμό.

### Φυλάξτε όλες τις προειδοποιήσεις και τις οδηγίες για μελλοντική παραπομπή.

Στις προειδοποιήσεις, ο όρος «ηλεκτρικό εργαλείο» αναφέρεται σε ηλεκτρικό εργαλείο που τροφοδοτείται από την κύρια παροχή ηλεκτρικού ρεύματος (με ηλεκτρικό καλώδιο) ή σε ηλεκτρικό εργαλείο που τροφοδοτείται από μπαταρία (χωρίς ηλεκτρικό καλώδιο).

## Οδηγίες ασφάλειας για πριόνια λοξότμησης

1. Τα πριόνια λοξότμησης προορίζονται για την κοπή ξύλου ή ξυλοειδών προϊόντων. Δεν μπορούν να χρησιμοποιηθούν με λειαντικούς τροχούς αποκοπής για την κοπή σιδηρούχων υλικών όπως μπάρες, ράβδους, στελέχη, κτλ. Η λειαντική σκόνη προκαλεί την εμπλοκή των κινούμενων μερών, όπως του κάτω προφυλακτήρα. Οι σπινθήρες από τη λειαντική κοπή θα κάψουν τον κάτω προφυλακτήρα, το ένθετο εγκοπής και άλλα πλαστικά μέρη.
  2. Χρησιμοποιήστε συγκρατητήρες για να στηρίξετε το τεμάχιο εργασίας, όπου είναι εφικτό. Αν στηρίζετε το τεμάχιο εργασίας με το χέρι, πρέπει πάντα να έχετε το χέρι σας τουλάχιστον 100 mm από κάθε πλευρά της λάμας πριονιού. Μη χρησιμοποιείτε αυτό το πριόνι για να κόψετε κομμάτια που είναι πολύ μικρά για να συγκρατήσετε με ασφάλεια ή να κρατήσετε με το χέρι. Αν τοποθετήσετε το χέρι σας πολύ κοντά στη λάμα πριονιού, υπάρχει αυξημένος κίνδυνος τραυματισμός λόγω επαφής με τη λάμα.
  3. Το τεμάχιο εργασίας πρέπει να είναι ακινητοποιημένο και να συγκρατείται ή να κρατείται επάνω στο φράχτη και τον πάγκο. Μην τροφοδοτείτε ποτέ το τεμάχιο εργασίας στη λάμα και μην κόβετε «με το χέρι». Τα τεμάχια εργασίας που δεν συγκρατούνται ή που κινούνται μπορούν να εκτοξευτούν με υψηλές ταχύτητες, προκαλώντας τραυματισμό.
  4. Μην περνάτε ποτέ το χέρι σας πάνω από την ενδεδειγμένη γραμμή κοπής, ούτε μπροστά ούτε πίσω από τη λάμα πριονιού. Είναι πολύ επικίνδυνο να στηρίζετε το τεμάχιο εργασίας με διασταυρωμένα χέρια, δηλαδή κρατάτε το τεμάχιο εργασίας στα δεξιά της λάμας πριονιού με το αριστερό χέρι σας, ή αντίστροφα.
- **Εικ.1**
5. Μη απλώνετε οποιoδήποτε χέρι πίσω από το φράχτη πιο κοντά από 100 mm από οποιοδήποτε πλευρά της λάμας πριονιού για να απομακρύνετε υπολείμματα ξύλου ή για οποιοδήποτε άλλο λόγο ενώ η λάμα περιστρέφεται. Η απόσταση της περιστρεφόμενης λάμας από το χέρι σας μπορεί να μην είναι προφανής και να τραυματιστείτε σοβαρά.
  6. Επιθεωρήστε το τεμάχιο εργασίας σας πριν την κοπή. Αν το τεμάχιο εργασίας είναι καμπυλωμένο ή περιστραμμένο, συγκρατήστε το με την εξωτερική πρόσωση της καμπύλης προς το φράχτη. Να βεβαιώσετε πάντα ότι δεν υπάρχει κενό μεταξύ του τεμαχίου εργασίας, του φράχτη και του πάγκου κατά μήκος της γραμμής κοπής. Τα λυγισμένα ή περιστραμμένα τεμάχια εργασίας μπορούν να συστραφούν ή να μετατοπιστούν, και μπορεί να εμπλακούν στην περιστρεφόμενη λάμα πριονιού κατά την κοπή. Δεν πρέπει να υπάρχουν καρφιά ή ξένα αντικείμενα στο τεμάχιο εργασίας.
  7. Μη χρησιμοποιείτε το πριόνι αν υπάρχουν εργαλεία, υπολείμματα ξύλου, κτλ. επάνω στον πάγκο, θα πρέπει να υπάρχουν μόνο το τεμάχιο εργασίας. Τα υπολείμματα μικρού μεγέθους ή τα χαλαρά κομμάτια ξύλου ή άλλα αντικείμενα που μπορεί να έρθουν σε επαφή με την περιστρεφόμενη λάμα μπορεί να εκτοξευτούν με υψηλή ταχύτητα.
  8. Μην κόβετε ποτέ περισσότερα από ένα τεμάχια εργασίας ταυτόχρονα. Τα πολλά στοιβαγμένα τεμάχια εργασίας δεν γίνεται να συγκρατηθούν ή να στηριχθούν σωστά και μπορεί να εμπλακούν στη λάμα ή να μετατοπιστούν κατά την κοπή.
  9. Βεβαιωθείτε ότι το πριόνι λοξότμησης είναι σταθερό ή τοποθετημένο σε μια επίπεδη, σταθερή επιφάνεια πριν τη χρήση. Μια επίπεδη και σταθερή επιφάνεια εργασίας μειώνει τον κίνδυνο αστάθειας του πριονιού λοξότμησης.
  10. Να προγραμματίζετε την εργασία σας. Κάθε φορά που αλλάζετε τη ρύθμιση της κωνικής γωνίας ή της λοξής γωνίας, να βεβαιώσετε ότι ο ρυθμιζόμενος φράχτης είναι σωστά ρυθμισμένος για να στηρίζει το τεμάχιο εργασίας καθώς και ότι δεν παρεμβαίνει με τη λάμα ή το σύστημα προσασίας. Χωρίς να ενεργοποιήσετε το εργαλείο και χωρίς τεμάχιο εργασίας στον πάγκο, μετακινήστε τη λάμα πριονιού σε μια ολοκληρωμένη προσομοιωμένη κοπή για να βεβαιωθείτε ότι δεν θα υπάρχει καμία παρεμβολή ή κίνδυνος κοπής του φράχτη.
  11. Παράσχετε επαρκή στήριξη, όπως επεκτάσεις πάγκου, τρίποδα πριονίσματος, κτλ. για ένα τεμάχιο εργασίας με πλάτος ή μήκος μεγαλύτερο από την επιφάνεια του πάγκου. Τα τεμάχια εργασίας που είναι μακρύτερα ή πλατύτερα από τον πάγκο του πριονιού λοξότμησης μπορούν να ανατραπούν αν δεν υποστηρίζονται με ασφάλεια. Αν το αποκομμένο κομμάτι ή το τεμάχιο εργασίας ανατραπεί, μπορεί να ανασηκωθεί ο κάτω προφυλακτήρας ή να εκτοξευτεί από την περιστρεφόμενη λάμα.
  12. Μη χρησιμοποιείτε κάποιο άλλο άτομο ως υποκατάστατο μιας επέκτασης πάγκου ή ως επιπρόσθετη στήριξη. Η ασταθής στήριξη του τεμαχίου εργασίας μπορεί να προκαλέσει την εμπλοκή της λάμας ή τη μετατόπιση του τεμαχίου εργασίας κατά την εργασία κοπής, τραβώντας εσάς και το βοηθό μέσα στην περιστρεφόμενη λάμα.
  13. Το αποκομμένο κομμάτι δεν πρέπει να εμπλακεί ή να τιαστεί με οποιοδήποτε τρόπο επάνω σε μια περιστρεφόμενη λάμα πριονιού. Αν περιοριστεί, δηλ. με τη χρήση αναστολέων μήκους, το αποκομμένο κομμάτι μπορεί να σφηνώσει επάνω στη λάμα και να εκτοξευτεί βίαια.
  14. Να χρησιμοποιείτε πάντα συγκρατητήρα ή μηχανισμό που έχει σχεδιαστεί για τη σωστή στήριξη στρογγυλεμένων υλικών όπως ράβδους ή σωληνώσεις. Οι ράβδοι έχουν την τάση να κυλιούνται ενώ κόβονται, προκαλώντας την εμπλοκή της λάμας και το τρόβηγμα του τεμαχίου εργασίας μαζί με το χέρι σας μέσα στη λάμα.
  15. Αφήστε τη λάμα να αποκτήσει μέγιστη ταχύτητα πριν έρθει σε επαφή με το τεμάχιο εργασίας. Έτσι θα μειωθεί ο κίνδυνος εκτόξευσης του τεμαχίου εργασίας.
  16. Αν το τεμάχιο εργασίας ή η λάμα εμπλακεί, απενεργοποιήστε το πριόνι λοξότμησης. Περιμένετε να ακινητοποιηθούν όλα τα κινούμενα μέρη και αποσυνδέστε το φως από την πηγή τροφοδοσίας ή/και βγάλετε το πακέτο μπαταριών. Μετά, εργαστείτε για να ελευθερώσετε το υλικό που έχει εμπλακεί. Το συνεχιζόμενο πριόνισμα με τεμάχιο εργασίας που έχει εμπλακεί μπορεί να προκαλέσει την απώλεια ελέγχου ή ζημιά στο πριόνι λοξότμησης.

17. Αφού τελειώσετε την κοπή, αφήστε το διακόπτη, κρατήστε την κεφαλή πριονιού προς τα κάτω και περιμένετε να ακινητοποιηθεί η λάμα πριν αφαιρέσετε το αποκομμένο κομμάτι. Είναι επικίνδυνο να τοποθετήσετε το χέρι σας κοντά σε λάμα που συνεχίζει να περιστρέφεται.
18. Κρατήστε τη λαβή σταθερά όταν εκτελείτε μια αεραή κοπή ή όταν αφήνετε το διακόπτη πριν η κεφαλή πριονιού βρεθεί πλήρως στην κάτω θέση. Η ενέργεια πείδησης του πριονιού μπορεί να προκαλέσει το ξαφνικό τράβηγμα της κεφαλής πριονιού προς τα κάτω, προκαλώντας κίνδυνο τραυματισμού.
19. Χρησιμοποιείτε μόνο τη λάμα πριονιού με τη διάμετρο που είναι επισήμασμένη στο εργαλείο ή που καθορίζεται στο εγχειρίδιο. Η χρήση μιας λάμας λανθασμένου μεγέθους μπορεί να επηρεάσει τη σωστή προστασία της λάμας ή τη λειτουργία του προφυλακτήρα, γεγονός που μπορεί να έχει ως αποτέλεσμα σοβαρό προσωπικό τραυματισμό.
20. Να χρησιμοποιείτε μόνο λάμες πριονιού που είναι επισήμασμένες με ταχύτητα ίση με ή υψηλότερη από την ταχύτητα που είναι επισήμασμένη στο εργαλείο.
21. Μη χρησιμοποιείτε το πριόνι για να κόψετε σιδηρότετο άλλο εκτός από ξύλο, αλουμίνιο ή παράμοια υλικά.
22. (Για τις Ευρωπαϊκές χώρες μόνο)  
Να χρησιμοποιείτε πάντα λάμα που συμμορφώνεται με το πρότυπο EN847-1.

#### Επιπρόσθετες οδηγίες

1. Χρησιμοποιήστε λουκέτα για να καταστήσετε το συνεργείο ασφαλές για παιδιά.
2. Ποτέ μην στέκεστε πάνω στο εργαλείο. Μπορεί να προκληθεί σοβαρός τραυματισμός αν το εργαλείο ανατραπεί ή αν αγγίξετε κατά λάθος το εργαλείο κοπής.
3. Μην αφήνετε ποτέ το εργαλείο σε λειτουργία αν δεν το προσέχετε. Απενεργοποιήστε την ισχύ. Μην αφήσετε το εργαλείο μέχρι να ακινητοποιηθεί εντελώς.
4. Μη χειρίζεστε το εργαλείο χωρίς τους προφυλακτήρες στη θέση τους. Ελέγξτε τον προφυλακτήρα λάμας για κανονικό κλείσιμο πριν από κάθε χρήση. Μη θέτετε το πριόνι σε λειτουργία αν ο προφυλακτήρας λάμας δεν κινείται ελεύθερα και δεν κλείνει αμέσως. Ποτέ μη σφίξετε ή δέσετε τον προφυλακτήρα λάμας στη θέση ανοίγματος.
5. Κρατάτε τα χέρια μακριά από την τροχιά της λάμας πριονιού. Αποφύγετε επαφή και με λάμες μικρής ταχύτητας. Μπορεί επίσης να προκαλέσουν σοβαρό τραυματισμό.
6. Να ασφαρίζετε πάντα όλα τα κινούμενα τμήματα πριν μεταφέρετε το εργαλείο.
7. Ο ανασταλτικός πείρος που κλειώνει την κεφαλή του κόπτη κάτω είναι μόνο για τον σκοπό μεταφοράς και αποθήκευσης και όχι για λειτουργίες κοπής.
8. Πριν από τη λειτουργία, να ελέγχετε προσεκτικά τη λάμα για ραγίσματα ή ζημιά. Να αντικαθιστάτε αμέσως ραγισμένη ή καεστραμμένη λάμα. Η κόλλα και τα πριονίσματα ξύλου που έχουν ξεραθεί επάνω στις λάμες επιβραδύνουν το πριόνι και αυξάνουν την πιθανότητα κλοτσήματος. Διατηρείτε τη λάμα καθαρή αφού πρώτα τη βγάλετε από το εργαλείο και μετά την καθαρίσετε με καθαριστικό για κόλλα και πριονίσματα, ζεστό νερό ή κηροζίνη. Μη χρησιμοποιείτε ποτέ βενζίνη για να καθαρίσετε τη λάμα.
9. Χρησιμοποιείτε μόνο τις ειδικές φλάντζες για το εργαλείο αυτό.
10. Προσέξτε να μη κάνετε ζημιά στην άτρακτο, στις φλάντζες (ειδικά στην επιφάνεια εγκατάστασης) ή στο μπουλόνι. Ζημιά στα εξαρτήματα αυτά μπορεί να προκαλέσει σπάσιμο της λάμας.
11. Να βεβαιώνετε ότι η περιστροφική βάση είναι κατάλληλα ασφαλισμένη, ώστε να μη μετακινηθεί κατά τη λειτουργία. Χρησιμοποιήστε τις οπές στη βάση για να στερεώσετε το πριόνι σε μια σταθερή πλατφόρμα εργασίας ή πάγκο. Μη χρησιμοποιείτε ΠΟΤΕ εργαλείο όταν η στάση του χειριστή μπορεί να είναι αδύναμη.
12. Να βεβαιώνετε ότι η ασφάλιση άξονα είναι ελεύθερη πριν ενεργοποιήσετε τον διακόπτη.
13. Να βεβαιώνετε ότι η λάμα δεν αγγίζει την περιστροφική βάση στην κατώτατη θέση.
14. Να κρατάτε σταθερά τη λαβή. Έχετε υπόψη σας ότι το πριόνι κινείται πάνω και κάτω ελαφρά κατά το ξεκίνηση και το σταμάτημα.
15. Να βεβαιώνετε ότι η λάμα δεν αγγίζει το τεμάχιο εργασίας πριν την ενεργοποίηση του διακόπτη.
16. Πριν χρησιμοποιήσετε το εργαλείο στο πραγματικό τεμάχιο εργασίας, αφήστε το να τρέξει για λίγο. Παρακολουθήστε το για κραδασμούς ή ταλαντώσεις που μπορεί να δείχνουν κακή τοποθέτηση ή κακή ισοζύγηση λάμας.
17. Σταματήστε αμέσως τη λειτουργία εάν παρατηρήσετε κάτι αφύσικο.
18. Μην προσπαθήσετε να κλειδώσετε τη σκανδάλη στη θέση «ΕΝΕΡΓΟΠΟΙΗΣΗΣ».
19. Να χρησιμοποιείτε πάντα τα ανταλλακτικά που συνιστώνται στο εγχειρίδιο αυτό. Η χρήση ακατάλληλων ανταλλακτικών όπως λιπαντικών μπορεί να προκαλέσει τραυματισμό.
20. Μερικά υλικά περιέχουν χημικά που μπορεί να είναι τοξικά. Να προσέχετε ώστε να αποφεύγετε την εισπνοή σκόνης και την επαφή με το δέρμα. Να ακολουθείτε τα δεδομένα ασφαλείας του προμηθευτή υλικού.

Πρόσθετοι κανόνες ασφαλείας για το λείζερ

1. ΑΚΤΙΝΟΒΟΛΙΑ ΛΕΙΖΕΡ, ΜΗΝ ΚΟΙΤΑΤΕ ΜΕΣΑ ΣΤΗ ΔΕΣΜΗ ΚΑΙ ΜΗΝ ΠΡΟΒΑΛΕΤΕ ΚΑΤΕΥΘΕΙΑΝ ΜΕ ΟΠΤΙΚΑ ΟΡΓΑΝΑ, ΠΡΟΪΟΝ ΛΕΙΖΕΡ ΤΑΞΗΣ 2Μ.

## ΦΥΛΑΞΤΕ ΑΥΤΕΣ ΤΙΣ ΟΔΗΓΙΕΣ.

**▲ΠΡΟΕΙΔΟΠΟΙΗΣΗ:** ΜΗΝ επιτρέψετε στην άνεση ή στην εξοικειώσή σας με το προϊόν (που αποκτήθηκε από επανειλημμένη χρήση) να αντικαταστήσει την αυστηρή τήρηση των κανόνων ασφαλείας του παρόντος εργαλείου. Η ΛΑΝΘΑΣΜΕΝΗ ΧΡΗΣΗ ή η αμέλεια να ακολουθήσετε τους κανόνες ασφαλείας που διατυπώνονται στο παρόν εγχειρίδιο οδηγιών μπορεί να προκαλέσει σοβαρό προσωπικό τραυματισμό.

## Σημαντικές οδηγίες ασφάλειας για κασέτα μπαταριών

1. Πριν χρησιμοποιήσετε την κασέτα μπαταριών, διαβάστε όλες τις οδηγίες και σημειώσεις προφύλαξης (1) στον φορτιστή μπαταριών, (2) στην μπαταρία και (3) στο προϊόν που χρησιμοποιεί την μπαταρία.
2. Μην απουναρμολογήσετε ή παραβιάσετε την κασέτα μπαταριών. Μπορεί να έχει ως αποτέλεσμα πυρκαγιά, υπερθέρμανση ή έκρηξη.
3. Εάν ο χρόνος λειτουργίας έχει γίνει υπερβολικά βραχύς, σταματήστε τη λειτουργία αμέσως. Αλλιώς, μπορεί να έχει ως αποτέλεσμα κίνδυνο υπερθέρμανσης, πιθανά εγκαύματα ή ακόμη και έκρηξη.
4. Εάν ηλεκτρολύτης μπει στα μάτια σας, ξεπλύνετε τα με καθαρό νερό και ζητήστε ιατρική φροντίδα αμέσως. Αλλιώς, μπορεί να έχει ως αποτέλεσμα απώλεια της όρασης σας.
5. Μην βραχυκυκλώνετε την κασέτα μπαταριών:
  - (1) Μην αγγίζετε τους πόλους με οτιδήποτε αγώγιμο υλικό.
  - (2) Αποφεύγετε να αποθηκεύετε την κασέτα μπαταριών μέσα σε ένα δοχείο μαζί με άλλα μεταλλικά αντικείμενα όπως καρφιά, νομίσματα, κλπ.
  - (3) Μην εκθέτετε την κασέτα μπαταριών στο νερό ή στη βροχή.Ένα βραχυκύκλωμα μπαταρίας μπορεί να προκαλέσει μεγάλη ροή ρεύματος, υπερθέρμανση, πιθανά εγκαύματα ακόμη και σοβαρή βλάβη.
6. Μην αποθηκεύετε και μην χρησιμοποιείτε το εργαλείο και την κασέτα μπαταριών σε τοποθεσίες όπου η θερμοκρασία μπορεί να φτάσει ή να ξεπεράσει τους 50°C.
7. Μην καίτε την κασέτα μπαταριών ακόμη και εάν έχει σοβαρή ζημιά ή είναι εντελώς φθαρμένη. Η κασέτα μπαταριών μπορεί να εκραγεί στη φωτιά.
8. Μην κερφώσετε, κόψετε, συνθλίψετε, πετάξετε ή ρίξετε κάτω την κασέτα μπαταριών, ούτε να χτυπήσετε ένα σκληρό αντικείμενο επάνω στην κασέτα μπαταριών. Τέτοια συμπεριφορά μπορεί να έχει ως αποτέλεσμα πυρκαγιά, υπερθέρμανση ή έκρηξη.
9. Μην χρησιμοποιείτε μπαταρία που έχει υποστεί ζημιά.
10. Οι μπαταρίες ιόντων λιθίου που περιέχονται υπόκεινται στις απαιτήσεις της νομοθεσίας για επικίνδυνα αγαθά.

Για εμπορικές μεταφορές, για παράδειγμα από τρίτα μέρη, πρέπει να τηρούνται οι διαμεταφορές, οι ειδικές απαιτήσεις στη συσκευασία και η επισήμανση.

Για προετοιμασία του στοιχείου που αποστέλλεται, είναι απαραίτητο να συμβουλευτείτε έναν ειδικό για επικίνδυνα υλικά. Επίσης, τηρήστε τους πιθανούς, πιο αναλυτικούς εθνικούς κανονισμούς. Καλύψτε με αυτοκόλλητη ταινία ή κρύψτε τις ανοικτές επαφές και συσκευάστε την μπαταρία με τρόπο που να μην μπορεί να μετακινείται μέσα στη συσκευασία.

11. Όταν απορρίπτετε την κασέτα μπαταριών, αφαιρέστε την από το εργαλείο και διαθέστε τη σε ένα ασφαλές μέρος. Τηρήστε τους τοπικούς κανονισμούς που σχετίζονται με τη διάθεση της μπαταρίας.
12. Χρησιμοποιήστε τις μπαταρίες μόνο με τα προϊόντα που καθορίζει η Makita. Αν τοποθετήσετε τις μπαταρίες σε μη συμβατά προϊόντα μπορεί να έχει ως αποτέλεσμα πυρκαγιά, υπερβολική θερμότητα, έκρηξη ή διαρροή ηλεκτρολύτη.
13. Αν δεν χρησιμοποιείτε το εργαλείο για μεγάλο χρονικό διάστημα, πρέπει να βγάλετε την μπαταρία από το εργαλείο.
14. Κατά τη διάρκεια και μετά τη χρήση, η κασέτα μπαταριών μπορεί να θερμανθεί, γεγονός που μπορεί να προκαλέσει εγκαύματα ή εγκαύματα από χαμηλή θερμοκρασία. Προσεύχτε το χειρισμό των ζεστών κασετών μπαταριών.
15. Μην αγγίζετε τον ακροδέκτη του εργαλείου αμέσως μετά τη χρήση επειδή μπορεί να έχει ζεσταθεί αρκετά για να προκαλέσει εγκαύματα.
16. Μην αφήνετε θραύσματα, σκόνη ή βρομιά να κολλήσει στους ακροδέκτες, τις οπές και τις εγκοπές της κασέτας μπαταριών. Μπορεί να προκαλέσει θέρμανση, φωτιά, έκρηξη και δυσλειτουργία του εργαλείου ή της κασέτας μπαταριών, έχοντας ως αποτέλεσμα εγκαύματα ή προσωπικό τραυματισμό.
17. Εκτός αν το εργαλείο υποστηρίζει τη χρήση κοντά σε ηλεκτρικές γραμμές υψηλής τάσης, μην χρησιμοποιείτε την κασέτα μπαταριών κοντά σε ηλεκτρικές γραμμές υψηλής τάσης. Μπορεί να έχει ως αποτέλεσμα δυσλειτουργία ή στάσιμο του εργαλείου ή της κασέτας μπαταριών.
18. ΚρΦυλάξτε την μπαταρία μακριά από παιδιά.

## ΦΥΛΑΞΤΕ ΤΙΣ ΟΔΗΓΙΕΣ ΑΥΤΕΣ.

**▲ΠΡΟΣΟΧΗ:** Να χρησιμοποιείτε μόνο γνήσιες μπαταρίες της Makita. Η χρήση μη γνήσιων μπαταριών Makita, ή μπαταριών που έχουν τροποποιηθεί, μπορεί να έχει ως αποτέλεσμα τη ρήξη της μπαταρίας, προκαλώντας πυρκαγιά, προσωπικό τραυματισμό και βλάβη. Επίσης, θα ακρωρωθεί η εγγύηση της Makita για το εργαλείο και φορτιστή Makita.

## Συμβουλές για τη διατήρηση της μέγιστης ζωής μπαταρίας

1. Φορτίζετε την κασέτα μπαταριών πριν από την πλήρη αποφόρτισή της. Πάντοτε να σταματάτε τη λειτουργία του εργαλείου και να φορτίζετε την κασέτα μπαταριών όταν παρατηρείτε μειωμένη ισχύ εργαλείου.
2. Ποτέ μην επαναφορτίζετε μια πλήρως φορτισμένη κασέτα μπαταριών. Η υπερφόρτιση μειώνει την ωφέλιμη ζωή της μπαταρίας.
3. Να φορτίζετε την κασέτα μπαταριών σε θερμοκρασία δωματίου, δηλαδή στους 10 °C έως 40 °C. Αφήστε μια θερμή κασέτα μπαταριών να κρυώσει πριν την φορτίσετε.
4. Όταν δεν χρησιμοποιείτε την κασέτα μπαταριών, αφαιρέστε την από το εργαλείο ή τον φορτιστή.
5. Να φορτίζετε την κασέτα μπαταριών εάν δεν τη χρησιμοποιείτε για μεγάλη χρονική περίοδο (περισσότερο από έξι μήνες).



# ΠΕΡΙΓΡΑΦΗ ΕΞΑΡΤΗΜΑΤΩΝ

## ► Εικ.2

1	Κουμπί κλειδώματος	2	Σκανδάλη διακόπτης	3	Λαβή	4	Θήκη λάμας
5	Λάμα	6	Προφυλακτικός λάμας	7	Βοηθητικός φράκτης	8	Μικρός βοηθητικός φράκτης
9	Βάση	10	Περιστροφική βάση	11	Φράκτης οδηγός	12	Κατακόρυφη μέγγενη
13	Σάκος σκόνης	14	Στόμιο σκόνης	15	Κάλυμμα κέντρου	-	-

## ► Εικ.3

16	Λυχνία	17	Κασέτα μπαταριών	18	Εξαγωνικό κλειδί	19	Μοχλός ελευθέρωσης
20	Μοχλός (για ρύθμιση κωνικής γωνίας)	21	Σανίδα εγκοπής	22	Ρυθμιστικό μπουλόνι κάτω ορίου	23	Διακόπτης λυχνίας
24	Διακόπτης λείζερ	-	-	-	-	-	-

## ΤΟΠΟΘΕΤΗΣΗ

### Στερέωση στον πάγκο

**▲ΠΡΟΕΙΔΟΠΟΙΗΣΗ:** Βεβαιωθείτε ότι το εργαλείο δεν θα μετακινηθεί πάνω στην επιφάνεια στήριξης. Η μετακίνηση του πριονιού λοξότμησης πάνω στην επιφάνεια στήριξης κατά την κοπή μπορεί να καταλήξει σε απώλεια ελέγχου και σοβαρό τραυματισμό.

1. Στερεώστε τη βάση σε μια επίπεδη και σταθερή επιφάνεια, βιδώνοντας με δύο μπουλόνια. Αυτό βοηθάει στην αποφυγή ανατροπής και πιθανού τραυματισμού.

► Εικ.4: 1. Μπουλόνι

## ΠΕΡΙΓΡΑΦΗ ΛΕΙΤΟΥΡΓΙΑΣ

**▲ΠΡΟΕΙΔΟΠΟΙΗΣΗ:** Να φροντίζετε πάντα ώστε το εργαλείο να έχει απενεργοποιηθεί και η κασέτα μπαταριών να έχει αφαιρεθεί πριν από τη ρύθμιση ή τον έλεγχο λειτουργίας του εργαλείου. Εάν δεν σβήσετε το εργαλείο και δεν βγάλετε την κασέτα μπαταριών, μπορεί να προκληθεί σοβαρός προσωπικός τραυματισμός από την τυχαία εκκίνηση.

### Τοποθέτηση ή αφαίρεση της κασέτας μπαταριών

**▲ΠΡΟΣΟΧΗ:** Να σβήνετε πάντα το εργαλείο πριν τοποθετήσετε ή αφαιρέσετε την κασέτα μπαταριών.

**▲ΠΡΟΣΟΧΗ:** Κρατήστε το εργαλείο και την κασέτα μπαταριών σταθερά κατά την τοποθέτηση ή αφαίρεση της κασέτας μπαταριών. Εάν δεν κρατάτε το εργαλείο και την κασέτα μπαταριών σταθερά μπορεί να γλιστρήσουν από τα χέρια σας και να προκληθεί βλάβη στο εργαλείο και την κασέτα μπαταριών και προσωπικός τραυματισμός.

► Εικ.5: 1. Κόκκινος δείκτης 2. Κουμπί 3. Κασέτα μπαταριών

Για να αφαιρέσετε την κασέτα μπαταριών, ολισθήστε την από το εργαλείο ενώ σύρετε το κουμπί στο μπροστινό μέρος της κασέτας.

Για να τοποθετήσετε την κασέτα μπαταριών, ευθυγραμμίστε τη γλώσσα στην κασέτα μπαταριών με την αύλακα στην υποδοχή και ολισθήστε τη στη θέση της. Να την τοποθετείτε πλήρως μέχρι να ασφαλίσει στη θέση της, γεγονός που υποδεικνύεται με ένα χαρακτηριστικό ήχο. Εάν μπορείτε να δείτε τον κόκκινο δείκτη στην επάνω πλευρά του κουμπιού, δεν έχει κλειδώσει τελείως.

**▲ΠΡΟΣΟΧΗ:** Να τοποθετείτε πάντα την κασέτα μπαταριών πλήρως μέχρι να μη βλέπετε τον κόκκινο δείκτη. Εάν δεν ασφαλίσει, μπορεί να πέσει από το εργαλείο τυχαία, προκαλώντας σωματική βλάβη σε εσάς ή κάποιον άλλο γύρω σας.

**▲ΠΡΟΣΟΧΗ:** Μην τοποθετείτε την κασέτα μπαταριών με βία. Εάν η κασέτα δεν ολισθαίνει με ευκολία, τότε δεν έχει τοποθετηθεί κατάλληλα.

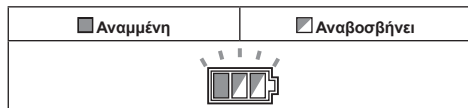
### Σύστημα προστασίας εργαλείου/ μπαταρίας

Το εργαλείο είναι εξοπλισμένο με σύστημα προστασίας εργαλείου/μπαταρίας. Αυτό το σύστημα αποκόπτει αυτόματα την ισχύ προς το μοτέρ για να παραταθεί η διάρκεια λειτουργίας του εργαλείου και της μπαταρίας. Το εργαλείο σταματάει αυτόματα κατά τη διάρκεια της λειτουργίας εάν το εργαλείο ή η μπαταρία βρεθούν κάτω από τις παρακάτω συνθήκες:

### Προστασία υπερφόρτωσης

Όταν το εργαλείο λειτουργεί με τρόπο ώστε να αναγκάζεται να καταναλώνει ασυνήθιστα υψηλό ρεύμα, το εργαλείο σταματάει αυτόματα χωρίς καμία ένδειξη. Σε αυτή την κατάσταση, σβήστε το εργαλείο και διακόψτε την εφαρμογή που προκαλεί την υπερφόρτωση του εργαλείου. Μετά, ενεργοποιήστε το εργαλείο για επανεκκίνηση.

## Προστασία υπερθέρμανσης



Όταν το εργαλείο υπερθερμανθεί, το εργαλείο σταματάει αυτόματα και η ένδειξη μπαταρίας αναβοσβήνει για περίπου 60 δευτερόλεπτα. Σε αυτή την κατάσταση, αφήστε το εργαλείο να ψυχθεί πριν ενεργοποιήσετε ξανά το εργαλείο.

## Προστασία υπερβολικής αποφόρτισης

Όταν μειωθεί η χωρητικότητα μπαταρίας, το εργαλείο σταματάει αυτόματα. Εάν το προϊόν δεν τίθεται σε λειτουργία ακόμα και όταν πραγματοποιείται χειρισμός των διακοπών, βγάλτε τις μπαταρίες από το εργαλείο και φορτίστε τις.

## Ακύρωση ασφάλισης με σύστημα προστασίας

Όταν το σύστημα προστασίας λειτουργεί επανειλημμένα, το εργαλείο ασφαρίζει και η ένδειξη μπαταρίας αναβοσβήνει.



Στην περίπτωση αυτή, κλείστε το διακόπτη και εξαλείψτε την αιτία που προκαλεί την ενεργοποίηση του συστήματος προστασίας, και μετά ανοίξτε ξανά τον διακόπτη. Αν το εργαλείο δεν λειτουργεί αφού ανοίξετε ξανά τον διακόπτη, βγάλτε την κασέτα μπαταριών και φορτίστε την.

## Υπόδειξη υπόλοιπης χωρητικότητας μπαταρίας

► **Εικ.6:** 1. Ένδειξη μπαταρίας

Όταν τραβάτε τη σκανδάλη διακόπτη, η ένδειξη μπαταρίας δείχνει την υπολειπόμενη φόρτιση μπαταρίας.

Κατάσταση ένδειξης μπαταρίας			Υπολειπόμενη χωρητικότητα μπαταρίας
Αναμμένες	Σβηστές	Αναβοσβήνουν	
			50% έως 100%
			20% έως 50%
			0% έως 20%
			Φορτίστε την μπαταρία

## Εμφάνιση υπολειπόμενης χωρητικότητας μπαταρίας

**Μόνο για κασέτες μπαταρίας με την ενδεικτική λυχνία**

► **Εικ.7:** 1. Ενδεικτικές λυχνίες 2. Κουμπί ελέγχου

Πιέστε το κουμπί ελέγχου στην κασέτα μπαταριών για να υποδείξετε την υπολειπόμενη χωρητικότητα μπαταρίας. Οι ενδεικτικές λυχνίες ανάβουν για λίγα δευτερόλεπτα.

Ενδεικτικές λυχνίες			Υπολειπόμενη χωρητικότητα
Αναμμένες	Σβηστές	Αναβοσβήνουν	
			75% έως 100%
			50% έως 75%
			25% έως 50%
			0% έως 25%
			Φορτίστε την μπαταρία.
			Μπορεί να προκύψει δυσλειτουργία στην μπαταρία.

**ΠΑΡΑΤΗΡΗΣΗ:** Ανάλογα με τις συνθήκες χρήσης και τη θερμοκρασία περιβάλλοντος, η ένδειξη μπορεί να διαφέρει λίγο από την πραγματική χωρητικότητα.

**ΠΑΡΑΤΗΡΗΣΗ:** Η πρώτη (τέρμα αριστερά) ενδεικτική λυχνία θα αναβοσβήνει όταν λειτουργεί το σύστημα προστασίας μπαταρίας.

## Λειτουργία αυτόματης αλλαγής ταχύτητας

► **Εικ.8:** 1. Ένδειξη τρόπου λειτουργίας

Κατάσταση ένδειξης τρόπου λειτουργίας	Τρόπος λειτουργίας
	Τρόπος λειτουργίας υψηλής ταχύτητας
	Τρόπος λειτουργίας υψηλής ροπής

Αυτό το εργαλείο διαθέτει «τρόπο λειτουργίας υψηλής ταχύτητας» και «τρόπο λειτουργίας υψηλής ροπής». Αλλάζει αυτόματα ο τρόπος λειτουργίας ανάλογα με το φόρτο εργασίας. Όταν ανάβει η ένδειξη τρόπου λειτουργίας κατά τη διάρκεια της λειτουργίας, το εργαλείο βρίσκεται σε τρόπο λειτουργίας υψηλής ροπής.

## Ανασταλτικός πείρος

**▲ ΠΡΟΣΟΧΗ:** Να κρατάτε πάντα τη λαβή όταν ελευθερώνετε τον ανασταλτικό πείρο. Διαφορετικά, η λαβή πετάγεται με ελατήριο και μπορεί να προκαλέσει προσωπικούς τραυματισμούς.

Για να ελευθερώσετε τον ανασταλτικό πείρο, ασκήστε συνεχόμενα ελαφρά πίεση προς τα κάτω πάνω στη λαβή και μετά τραβήξτε τον ανασταλτικό πείρο.

► **Εικ.9:** 1. Ανασταλτικός πείρος

## Προφυλακτήρας λάμας

**▲ ΠΡΟΕΙΔΟΠΟΙΗΣΗ:** Ποτέ μην εξουδετερώνετε ή αφαιρέσετε τον προφυλακτήρα λάμας ή το ελατήριο που προσαρμόζεται στον προφυλακτήρα. Μια εκτεθειμένη λάμα λόγω αχρήστευσης του προφυλακτήρα μπορεί να καταλήξει σε σοβαρό τραυματισμό στη διάρκειά της λειτουργίας.

**▲ ΠΡΟΕΙΔΟΠΟΙΗΣΗ:** Ποτέ μη χρησιμοποιείτε το εργαλείο εάν ο προφυλακτήρας λάμας ή το ελατήριο έχουν πάθει ζημιά, βλάβη ή έχουν αφαιρεθεί. Η λειτουργία του εργαλείου με προφυλακτήρα ο οποίος έχει υποστεί ζημιά, είναι ελαττωματικός ή έχει αφαιρεθεί μπορεί να καταλήξει σε σοβαρό τραυματισμό.

**▲ ΠΡΟΣΟΧΗ:** Για ασφαλή λειτουργία, να διατηρείτε πάντα τον προφυλακτήρα λάμας σε καλή κατάσταση. Διακόψτε αμέσως τη λειτουργία στην περίπτωση που υπάρχουν ανωμαλίες στον προφυλακτήρα λάμας. Ελέγξτε να βεβαιωθείτε για τη δράση του ελατηρίου επαναφοράς του προφυλακτήρα.

► **Εικ.10:** 1. Προφυλακτήρας λάμας

Όταν χαμηλώνετε τη λαβή, ο προφυλακτήρας λάμας ανυψώνεται αυτόματα. Ο προφυλακτήρας έχει ελατήρια ώστε να επιστρέφει στην αρχική του θέση όταν η κοπή έχει συμπληρωθεί και η λαβή έχει ανυψωθεί.

### Καθαρισμός

► **Εικ.11:** 1. Προφυλακτήρας λάμας

Εάν συσσωρευτούν ακαθαρσίες στο διάφανο προφυλακτήρα λάμας, ή έχει προσκολληθεί πριονίδι ώστε να μην είναι πλέον ορατή η λάμα ή/και το τεμάχιο εργασίας, αφαιρέστε την κασέτα μπαταριών και καθαρίστε τον προφυλακτήρα με προσοχή χρησιμοποιώντας ένα υγρό πανί. Μην χρησιμοποιείτε διαλυτικά ή καθαριστικά με βάση το πετρέλαιο στον πλαστικό προφυλακτήρα επειδή αυτό μπορεί να προκαλέσει φθορά στον προφυλακτήρα. Για τον καθαρισμό, ανυψώστε τον προφυλακτήρα λάμας αφού ανατρέξετε στην παράγραφο «Τοποθέτηση ή αφαίρεση της λάμας πριονιού».

Μετά τον καθαρισμό, βεβαιωθείτε να επιστρέψετε τη λάμα και το κεντρικό κάλυμμα και να σφίξετε το εξαγωνικό μπουλόνι.

1. Να βεβαιώνετε πάντα ότι το εργαλείο είναι βηλινό και έχετε βγάλει τις κασέτες μπαταριών.
2. Περιστρέψτε το εξαγωνικό μπουλόνι αριστερόστροφα χρησιμοποιώντας το παρεχόμενο εξαγωνικό κλειδί ενώ κρατάτε το κεντρικό κάλυμμα.
3. Σηκώστε τον προφυλακτήρα λάμας και το κάλυμμα κέντρου.
4. Όταν ολοκληρωθεί ο καθαρισμός, επιστρέψτε το κεντρικό κάλυμμα και σφίξτε το εξαγωνικό μπουλόνι εκτελώντας τα ανωτέρω βήματα με αντίστροφη σειρά.

**▲ ΠΡΟΕΙΔΟΠΟΙΗΣΗ:** Μην αφαιρέσετε τον ελατηρίουχο προφυλακτήρα λάμας. Εάν ο προφυλακτήρας υποστεί φθορά με την πάροδο του χρόνου ή έκθεσης σε ακτινοβολία UV, απευθυνθείτε σε κάποιο κέντρο σέρβις της Makita για αντικατάσταση. **ΜΗΝ ΕΞΟΥΔΕΤΕΡΩΣΕΤΕ Η ΑΦΑΙΡΕΣΕΤΕ ΤΟΝ ΠΡΟΦΥΛΑΚΤΗΡΑ.**

## Τοποθέτηση σανίδων εγκοπών

Αυτό το εργαλείο είναι εφοδιασμένο με τις σανίδες εγκοπών στην περιστροφική βάση του για να ελαχιστοποιεί το σχίσμο στην πλευρά εξόδου κοπής. Οι σανίδες εγκοπών είναι εργοστασιακά ρυθμισμένες έτσι ώστε η λάμα πριονιού να μην κάνει επαφή με τις σανίδες εγκοπών. Πριν από τη χρήση, ρυθμίστε τις σανίδες εγκοπών ως εξής:

1. Βεβαιωθείτε να αφαιρέσετε την κασέτα μπαταριών. Μετά, χαλαρώστε όλες τις βίδες (από 2 στα αριστερά και δεξιά) που ασφαλίζουν τις σανίδες εγκοπών. ► **Εικ.12:** 1. Σανίδα εγκοπής 2. Βίδα
2. Ξανασφίξτε τις βίδες έτσι ώστε οι σανίδες εγκοπών να μπορούν να κινηθούν με το χέρι.
3. Χαμηλώστε τη λαβή πλήρως και στρώξτε μέσα τον ανασταλτικό πείρο για να κλειδώσει τη λαβή στην κάτω θέση.
4. Ρυθμίστε τις σανίδες εγκοπών έτσι ώστε μόλις να αγγίζουν τις πλευρές των δοντιών της λάμας. ► **Εικ.13**
- **Εικ.14:** 1. Λάμα πριονιού 2. Δόντια λάμας 3. Σανίδα εγκοπής 4. Αριστερή κωνική κοπή 5. 1οια κοπή
5. Σφίξτε τις βίδες (μην τις σφίξετε πολύ).
6. Μετά τη ρύθμιση των σανίδων εγκοπών, ελευθερώστε τον ανασταλτικό πείρο και σηκώστε τη λαβή. Μετά σφίξτε όλες τις βίδες με ασφάλεια.

**ΕΙΔΟΠΟΙΗΣΗ:** Μόλις ρυθμίσετε την κωνική γωνία, βεβαιωθείτε ότι οι σανίδες εγκοπών είναι ρυθμισμένες κατάλληλα. Η σωστή ρύθμιση των σανίδων εγκοπών διευκολύνει την κατάλληλη στήριξη του τεμαχίου εργασίας ελαχιστοποιώντας το σχίσμο του τεμαχίου εργασίας.

## Διατήρηση της μέγιστης ικανότητας κοπής

Αυτό το εργαλείο είναι εργοστασιακά ρυθμισμένο για να παρέχει τη μέγιστη ικανότητα κοπής για μια λάμα πριονιού 165 mm.

Όταν τοποθετείτε μια νέα λάμα, πάντοτε να ελέγχετε την κάτω οριακή θέση της λάμας, και εάν είναι απαραίτητο, ρυθμίστε ως εξής:

1. Αφαιρέστε την κασέτα μπαταριών. Χαμηλώστε εντελώς τη λαβή.
2. Χρησιμοποιήστε το εξαγωνικό κλειδί για να περιστρέψετε το ρυθμιστικό μπουλόνι κάτω ορίου μέχρι η λάμα πριονιού να έρθει λίγο κάτω από τη διατομή του φράκτη οδηγού και την άνω επιφάνεια της περιστροφικής βάσης. ► **Εικ.15:** 1. Ρυθμιστικό μπουλόνι
- **Εικ.16:** 1. Φράκτης οδηγός

3. Περιστρέψτε τη λάμα με το χέρι ενώ κρατάτε τη λαβή στην κάτω θέση για να βεβαιωθείτε ότι η λάμα δεν έρχεται σε επαφή με κανένα τμήμα της κάτω βάσης. Επαναρυθμίστε ελαφρά, εάν είναι απαραίτητο.

**▲ ΠΡΟΕΙΔΟΠΟΙΗΣΗ:** Μετά από την τοποθέτηση νέας λάμας και με την κασέτα μπαταριών αφαιρεμένη, φροντίστε κάθε φορά ώστε η λάμα να μην έρχεται σε επαφή με οποιοδήποτε μέρος της κάτω βάσης όταν χαμηλώνετε πλήρως τη λαβή. Σε περίπτωση επαφής της λάμας με τη βάση, μπορεί να προκληθεί κλότσημα και σοβαρός τραυματισμός.

► **Εικ.17**

## Βοηθητικός φράκτης

### Ειδικό της χώρας

Το εργαλείο αυτό είναι εξοπλισμένο με βοηθητικό φράκτη και μικρούς βοηθητικούς φράκτες.

## Βοηθητικός φράκτης

**▲ ΠΡΟΕΙΔΟΠΟΙΗΣΗ:** Να αφαιρείτε πάντα τον βοηθητικό φράκτη όταν πραγματοποιείτε κωνικές κοπές. Εάν δεν το κάνετε αυτό, μπορεί να προκληθεί σοβαρός τραυματισμός.

► **Εικ.18:** 1. Βοηθητικός φράκτης

Όταν εκτελείτε κοπές, εκτός από κωνικές κοπές, να χρησιμοποιείτε τον βοηθητικό φράκτη για να στηρίζετε το τεμάχιο εργασίας.

## Μικρός βοηθητικός φράκτης

**▲ ΠΡΟΣΟΧΗ:** Όταν εκτελείτε δεξιές κωνικές κοπές, διπλώστε τους μικρούς βοηθητικούς φράκτες. Διαφορετικά, μπορεί να έρθουν σε επαφή με τη λάμα ή μέρος του εργαλείου και να έχει ως αποτέλεσμα σοβαρό τραυματισμό στο χειριστή.

► **Εικ.19:** 1. Μικρός βοηθητικός φράκτης 2. Κλίμακα

Όταν εκτελείτε κάθετες κοπές ή αριστερές κωνικές κοπές, αναστρέψτε τους προς τα πάνω για να στηρίζετε το τεμάχιο εργασίας. Ο φράκτης οδηγός έχει κλίμακα με μεσοδιαστήματα των 10 mm.

## Ρύθμιση της λοξής γωνίας

► **Εικ.20:** 1. Βίδα στερέωσης 2. Περιστροφική βάση 3. Λοξή κλίμακα 4. Δείκτης

1. Χαλαρώστε τη βίδα στερέωσης περιστρέφοντάς την αριστερόστροφα.
2. Ρυθμίστε τη γωνία της περιστροφικής βάσης. Χρησιμοποιήστε το δείκτη και την κλίμακα λοξής γωνίας ως οδηγό.
3. Σφίξτε καλά τη βίδα στερέωσης περιστρέφοντάς τη δεξιόστροφα.

**▲ ΠΡΟΣΟΧΗ:** Αφού αλλάξετε τη λοξή γωνία, να ασφαλίσετε πάντα την περιστροφική βάση σφίγγοντας καλά τη βίδα στερέωσης.

**ΕΙΔΟΠΟΙΗΣΗ:** Όταν γυρίζετε την περιστροφική βάση, να βεβαιώνετε ότι ανυψώνετε τη λαβή εντελώς.

## Ρύθμιση της κωνικής γωνίας

Για να ρυθμίσετε την κωνική γωνία, περιστρέψτε τον μοχλό στο πίσω μέρος του εργαλείου προς τα κάτω.

► **Εικ.21:** 1. Μοχλός

Για να γείρετε τη λάμα προς τα αριστερά, κρατήστε τη λαβή και γείρετε την κεφαλή πριονιού. Χρησιμοποιήστε την κωνική κλίμακα και το δείκτη ως οδηγό. Μετά, περιστρέψτε σταθερά το μοχλό προς τα πάνω για να ασφαλίσετε την κεφαλή πριονιού.

► **Εικ.22:** 1. Δείκτης 2. Κωνική κλίμακα

Για να γείρετε τη λάμα προς τα δεξιά, κρατήστε τη λαβή και γείρετε την κεφαλή πριονιού λίγο προς τα αριστερά και πατήστε το κουμπί ελευθέρωσης. Με το κουμπί ελευθέρωσης πατημένο, δώστε κλίση στη λάμα πριονιού προς τα δεξιά. Περιστρέψτε σταθερά το μοχλό προς τα πάνω για να ασφαλίσετε την κεφαλή πριονιού.

► **Εικ.23:** 1. Κουμπί ελευθέρωσης

**▲ ΠΡΟΣΟΧΗ:** Αφού αλλάξετε την κωνική γωνία, να ασφαλίσετε πάντα την κεφαλή πριονιού περιστρέφοντας σταθερά τον μοχλό προς τα πάνω.

**ΕΙΔΟΠΟΙΗΣΗ:** Όταν δίνετε κλίση στη λάμα πριονιού, να φροντίζετε ώστε η λαβή να είναι πλήρως ανυψωμένη.

**ΕΙΔΟΠΟΙΗΣΗ:** Όταν αλλάξετε κωνικές γωνίες, να βεβαιώνετε ότι τοποθετείτε τις σανίδες εγκοπών κατάλληλα όπως εξηγείται στην ενότητα «Τοποθέτηση σανίδων εγκοπών».

## Ρύθμιση κωνικής γωνίας 46°

1. Χαλαρώστε το μοχλό και γείρετε τη λάμα πλήρως προς τα αριστερά ή δεξιά.

► **Εικ.24:** 1. Μοχλός

2. Για να γείρετε τη λάμα προς τα αριστερά, κρατήστε τη λαβή και γείρετε την κεφαλή πριονιού λίγο προς τα δεξιά και μετά μετακινήστε το μοχλό ελευθέρωσης προς την κατεύθυνση του βέλους. Η κωνική γωνία μπορεί να ρυθμιστεί μεταξύ 45° και 46° αν γέρνετε την κεφαλή πριονιού ενώ μετακινείτε το μοχλό ελευθέρωσης.

Για να γείρετε τη λάμα προς τα δεξιά, κρατήστε τη λαβή και γείρετε την κεφαλή πριονιού λίγο προς τα αριστερά και μετά μετακινήστε το μοχλό ελευθέρωσης προς την κατεύθυνση του βέλους. Η κωνική γωνία μπορεί να ρυθμιστεί μεταξύ 45° και 46° αν γέρνετε την κεφαλή πριονιού ενώ μετακινείτε το μοχλό ελευθέρωσης.

► **Εικ.25:** 1. Μοχλός 2. Μοχλός ελευθέρωσης

3. Περιστρέψτε σταθερά το μοχλό προς τα πάνω για να ασφαλίσετε την κεφαλή πριονιού.

## Ρύθμιση της θέσης μοχλού

Εάν ο μοχλός δεν παρέχει πλήρες σφίξιμο με την πάροδο του χρόνου, αλλάξετε τη θέση του μοχλού. Ο μοχλός μπορεί να επανατοποθετείται κάθε 30°. Χαλαρώστε και αφαιρέστε τη βίδα που ασφαλίζει το μοχλό. Αφαιρέστε τον μοχλό και τοποθετήστε τον ξανά έτσι ώστε να είναι στραμμένος πάνω από τον οριζόντιο επίπεδο. Κατόπιν, σφίξτε καλά το μοχλό με τη βίδα.

► **Εικ.26:** 1. Μοχλός 2. Βίδα

## Δράση διακόπτη

**⚠ ΠΡΟΕΙΔΟΠΟΙΗΣΗ:** Πριν τοποθετήσετε την κασέτα μπαταριών στο εργαλείο, πάντοτε να ελέγχετε ότι η σκανδάλη διακόπτης ενεργοποιείται κανονικά και επιστρέφει στην ανενεργή θέση «OFF» όταν την αφήνετε. Η λειτουργία ενός εργαλείου με διακόπτη ο οποίος δεν ενεργοποιείται κατάλληλα μπορεί να οδηγήσει σε απώλεια ελέγχου και σοβαρό τραυματισμό.

**⚠ ΠΡΟΕΙΔΟΠΟΙΗΣΗ:** ΠΟΤΕ μη χρησιμοποιήσετε εργαλείο χωρίς πλήρως λειτουργική σκανδάλη διακόπτη. Οποιοδήποτε εργαλείο με διακόπτη εκτός λειτουργίας είναι ΕΞΑΙΡΕΤΙΚΑ ΕΠΙΚΙΝΔΥΝΟ και απαιτείται επισκευή του πριν από περαιτέρω χρήση, διαφορετικά μπορεί να προκληθεί σοβαρός τραυματισμός.

**⚠ ΠΡΟΕΙΔΟΠΟΙΗΣΗ:** Για την ασφάλειά σας, αυτό το εργαλείο είναι εφοδιασμένο με ένα κουμπί κλειδώματος που εμποδίζει το εργαλείο να ξεκινήσει κατά λάθος. **ΠΟΤΕ μη χρησιμοποιείτε το εργαλείο εάν λειτουργεί όταν πατήσετε πατάτε τη σκανδάλη διακόπτη χωρίς να πατήσετε το κουμπί κλειδώματος.** Ένας διακόπτης που απαιτεί επισκευή μπορεί να καταλήξει σε ανεπιθύμητη λειτουργία και την πρόκληση σοβαρού τραυματισμού. Επιστρέψτε το εργαλείο σε ένα κέντρο εξυπηρέτησης Makita για κατάλληλες επισκευές ΠΡΙΝ την περαιτέρω χρήση.

**⚠ ΠΡΟΕΙΔΟΠΟΙΗΣΗ:** Μην αχρηστεύετε ΠΟΤΕ το κουμπί κλειδώματος χρησιμοποιώντας αυτοκόλλητη ταινία ή με άλλο τρόπο. Ένας διακόπτης με αχρηστευμένο κουμπί κλειδώματος μπορεί να καταλήξει σε ανεπιθύμητη λειτουργία και την πρόκληση σοβαρού τραυματισμού.

**ΕΙΔΟΠΟΙΗΣΗ:** Μην τραβάτε τη σκανδάλη διακόπτη δυνατά χωρίς να πατήσετε μέσα το κουμπί απασφάλισης. Αυτό μπορεί να προκαλέσει βλάβη του διακόπτη.

Για να εμποδιστεί το τυχαίο τράβηγμα της σκανδάλης διακόπτη, υπάρχει ένα κουμπί κλειδώματος. Για να ξεκινήσει το εργαλείο, πατήστε μέσα το κουμπί κλειδώματος και πατήστε τη σκανδάλη διακόπτη. Ελευθερώστε τη σκανδάλη διακόπτη για να σταματήσει.

► **Εικ.27:** 1. Κουμπί κλειδώματος 2. Οπή λουκέτου 3. Σκανδάλη διακόπτης

## Αναμμα της λυχνίας

**⚠ ΠΡΟΣΟΧΗ:** Δεν πρόκειται για αδιάβροχη λάμπα. Μην πλένετε τη λάμπα με νερό και μην τη χρησιμοποιείτε στη βροχή ή σε βρεγμένη περιοχή. Κάτι τέτοιο μπορεί να προκαλέσει ηλεκτροπληξία και αναθυμιάσεις.

**⚠ ΠΡΟΣΟΧΗ:** Μην αγγίζετε το φακό της λάμπας, επειδή είναι πολύ ζεστό ενώ μπορεί να αναμμένη ή λίγο αφού σβήσει. Αυτό μπορεί να προκαλέσει έγκαυμα στο ανθρώπινο σώμα.

**⚠ ΠΡΟΣΟΧΗ:** Μην ασκείτε δύναμη στη λάμπα επειδή μπορεί να προκληθεί ζημιά σε αυτή ή να συντομεύσει η διάρκεια λειτουργίας της.

**⚠ ΠΡΟΣΟΧΗ:** Μην ρίχνετε τη δέσμη φωτός στα μάτια σας. Αυτό μπορεί να προκαλέσει βλάβη στα μάτια σας.

**⚠ ΠΡΟΣΟΧΗ:** Μην καλύπτετε τη λάμπα με ρούχα, χαρτί, χαρτόνι ή παρόμοια αντικείμενα ενώ είναι αναμμένη, επειδή μπορεί να προκληθεί πυρκαγιά ή ανάφλεξη.

**⚠ ΠΡΟΣΟΧΗ:** Μην κοιτάζετε κατευθείαν μέσα στο φως ή στην πηγή φωτός.

Για να ανάψετε τη λυχνία, πατήστε την άνω θέση (I) του διακόπτη. Για να σβήσετε τη λυχνία, πατήστε την κάτω θέση (O) του διακόπτη.

► **Εικ.28:** 1. Λυχνία 2. Διακόπτης λυχνίας

**ΠΑΡΑΤΗΡΗΣΗ:** Χρησιμοποιήστε ένα στεγνό πανί για να σκουπίσετε τη σκόνη από το φακό της λάμπας. Προσέχετε να μη γρατζουνίσετε το φακό της λάμπας, επειδή μπορεί να μειωθεί η ένταση του φωτισμού.

**ΠΑΡΑΤΗΡΗΣΗ:** Βεβαιωθείτε να κλείσετε τον διακόπτη επειδή ο διακόπτης καταναλώνει την ενέργεια της μπαταρίας όταν είναι αναμμένος.

## Δράση δέσμης λέιζερ

**⚠ ΠΡΟΣΟΧΗ:** Μην κοιτάζετε ποτέ τη δέσμη λέιζερ. Η άμεση δέσμη λέιζερ μπορεί να προκαλέσει βλάβη στα μάτια σας.

Για να ανάψετε τη δέσμη φωτός, πατήστε την άνω θέση (I) του διακόπτη. Για να σβήσετε τη δέσμη φωτός, πατήστε την κάτω θέση (O) του διακόπτη.

► **Εικ.29:** 1. Διακόπτης λέιζερ

**ΠΑΡΑΤΗΡΗΣΗ:** Βεβαιωθείτε να κλείσετε τον διακόπτη επειδή ο διακόπτης καταναλώνει την ενέργεια της μπαταρίας όταν είναι αναμμένος.

Η γραμμή λέιζερ μπορεί να μετατοπιστεί στην αριστερή ή στη δεξιά πλευρά της λάμπας δισκοπρίνου αν περιστρέψετε τη ρυθμιστική βίδα όπως περιγράφεται στη συνέχεια.

► **Εικ.30:** 1. Ρυθμιστική βίδα

1. Χαλαρώστε τη ρυθμιστική βίδα περιστρέφοντάς την αριστερόστροφα.

2. Με τη ρυθμιστική βίδα χαλαρή, ολισθήστε τη ρυθμιστική βίδα προς τα δεξιά ή προς τα αριστερά μέχρι τέρμα.

3. Σφίξτε καλά τη ρυθμιστική βίδα στη θέση όπου σταματάει να ολισθαίνει.

**ΠΑΡΑΤΗΡΗΣΗ:** Η γραμμή λείζερ ρυθμίζεται εργοστασιακά ώστε να τοποθετείται εντός 1 mm από την πλαιϊνή επιφάνεια της λάμας δισκοπρίονου (θέση κοπής).

**ΠΑΡΑΤΗΡΗΣΗ:** Όταν η γραμμή λείζερ δεν είναι φωτεινή και δεν φαίνεται εύκολα λόγω άμεσου ηλιακού φωτός, αλλάξτε την περιοχή εργασίας σε ένα χώρο όπου υπάρχει λιγότερη άμεσο ηλιακό φως.

### Ευθυγράμμιση της γραμμής λείζερ

Ευθυγραμμίστε τη γραμμή κοπής στο τεμάχιο εργασίας σας με τη γραμμή λείζερ.

#### ► Εικ.31

Α) Όταν θέλετε να έχετε το σωστό μέγεθος στην αριστερή πλευρά του τεμαχίου εργασίας, μετατοπίστε τη γραμμή λείζερ στα αριστερά της λάμας δισκοπρίονου.  
Β) Όταν θέλετε να έχετε το σωστό μέγεθος στη δεξιά πλευρά του τεμαχίου εργασίας, μετατοπίστε τη γραμμή λείζερ στα δεξιά της λάμας δισκοπρίονου.

2. Χρησιμοποιήστε το εξαγωνικό κλειδί για να χαλαρώσετε το εξαγωνικό μπουλόνι που κρατάει το κάλυμμα κέντρου γυρίζοντας το αριστερόστροφα. Μετά, σηκώστε τον προφυλακτήρα λάμας και το κάλυμμα κέντρου.

► **Εικ.34:** 1. Κάλυμμα κέντρου 2. Εξαγωνικό μπουλόνι 3. Εξαγωνικό κλειδί 4. Προφυλακτήρας λάμας

3. Πατήστε την ασφάλιση άξονα για να κλειδώσετε τον αξονίσκο και χρησιμοποιήστε το εξαγωνικό κλειδί για να χαλαρώσετε το εξαγωνικό μπουλόνι δεξιόστροφα. Μετά αφαιρέστε το εξαγωνικό μπουλόνι του αξονίσκου, την εξωτερική φλάντζα και τη λάμα.

► **Εικ.35:** 1. Ασφάλιση άξονα 2. Εξαγωνικό μπουλόνι 3. Εξωτερική φλάντζα

4. Εάν η εσωτερική φλάντζα αφαιρεθεί, εγκαταστήστε τη στον αξονίσκο με το εξάρτημα στερέωσης λάμας στραμμένο προς τη λάμα. Σε περίπτωση εσφαλμένης τοποθέτησης της φλάντζας, αυτό θα τριβεται πάνω στο μηχανήμα.

► **Εικ.36:** 1. Εξωτερική φλάντζα 2. Λάμα πριονιού 3. Εσωτερική φλάντζα 4. Εξαγωνικό μπουλόνι (αριστερόχειρο) 5. Αξονίσκος 6. Εξάρτημα στερέωσης λάμας

Για να εγκαταστήσετε τη λάμα, εκτελέστε τα ακόλουθα βήματα:

1. Στερεώστε τη λάμα προσεκτικά πάνω στην εσωτερική φλάντζα. Βεβαιωθείτε ότι η κατεύθυνση του βέλους στη λάμα ταιριάζει στην κατεύθυνση του βέλους στη θήκη λάμας.

► **Εικ.37:** 1. Λάμα πριονιού 2. Βέλος

2. Τοποθετήστε την εξωτερική φλάντζα και το εξαγωνικό μπουλόνι και μετά χρησιμοποιήστε το εξαγωνικό κλειδί για να σφίξτε το εξαγωνικό μπουλόνι (αριστερόχειρο) του αξονίσκου με ασφάλεια αριστερόστροφα ενώ πιέζετε την ασφάλιση άξονα.

3. Επαναφέρετε τον προφυλακτήρα λάμας και κάλυμμα κέντρου στην αρχική τους θέση. Μετά σφίξτε το εξαγωνικό μπουλόνι του καλύμματος κέντρου δεξιόστροφα για να ασφαλίσετε το κάλυμμα κέντρου.

4. Ελευθερώστε τη λαβή από την ανασηκωμένη θέση τραβώντας τον ανασταλτικό πείρο. Χαμηλώστε τη λαβή να βεβαιωθείτε ότι ο προφυλακτήρας λάμας κινείται κατάλληλα.

5. Βεβαιωθείτε ότι η ασφάλιση άξονα έχει ελευθερωσει τον αξονίσκο πριν κάνετε την κοπή.

## Για εργαλείο με την εσωτερική φλάντζα για λάμα πριονιού με διάμετρο οπής 15,88 mm.

### Ειδικό της χώρας

Τοποθετήστε την εσωτερική φλάντζα στον άξονα στερέωσης ώστε η πλευρά με το κοίλωμα να είναι στραμμένη προς τα έξω και στη συνέχεια τοποθετήστε τη λάμα πριονιού (με συνδεδεμένο τον δακτύλιο εάν απαιτείται), την εξωτερική φλάντζα και το εξαγωνικό μπουλόνι.

### Για εργαλείο χωρίς δακτύλιο

► **Εικ.38:** 1. Εξωτερική φλάντζα 2. Λάμα πριονιού 3. Εσωτερική φλάντζα 4. Εξαγωνικό μπουλόνι (αριστερόχειρο) 5. Αξονίσκος

### Για εργαλείο με δακτύλιο

► **Εικ.39:** 1. Εξωτερική φλάντζα 2. Λάμα πριονιού 3. Εσωτερική φλάντζα 4. Εξαγωνικό μπουλόνι (αριστερόχειρο) 5. Δακτύλιος 6. Αξονίσκος

## ΣΥΝΑΡΜΟΛΟΓΗΣΗ

**▲ ΠΡΟΕΙΔΟΠΟΙΗΣΗ:** Πάντοτε να βεβαιώνετε ότι το εργαλείο είναι σθητό και η κασέτα μπαταριών έχει αφαιρεθεί πριν εργαστείτε με το εργαλείο. Η μη απενεργοποίηση και αφαίρεση της κασέτας μπαταριών μπορεί να καταλήξει σε σοβαρό τραυματισμό.

### Αποθήκευση εξαγωνικού κλειδιού

Το εξαγωνικό κλειδί φυλάσσεται όπως υποδεικνύεται στην εικόνα. Όταν απαιτείται το εξαγωνικό κλειδί, μπορείτε να το αποσπάσετε από την θήκη κλειδιού κλειδί. Μετά από τη χρήση, μπορείτε να φυλάξετε το εξαγωνικό κλειδί τοποθετώντας το ξανά στην θήκη κλειδιού.

► **Εικ.32:** 1. Θήκη κλειδιού 2. Εξαγωνικό κλειδί

### Τοποθέτηση ή αφαίρεση της λάμας πριονιού

**▲ ΠΡΟΕΙΔΟΠΟΙΗΣΗ:** Να φροντίζετε πάντα ώστε το εργαλείο να έχει απενεργοποιηθεί και η κασέτα μπαταριών να έχει αφαιρεθεί πριν από την τοποθέτηση ή την αφαίρεση της λάμας. Η τυχαία εκκίνηση του εργαλείου μπορεί να καταλήξει σε σοβαρό τραυματισμό.

**▲ ΠΡΟΣΟΧΗ:** Χρησιμοποιείτε μόνο το παρεχόμενο εξαγωνικό κλειδί Makita για να τοποθετήσετε ή να αφαιρέσετε τη λάμα. Διαφορετικά μπορεί να προκληθεί υπερβολικό ή ανεπαρκές σφίξιμο του εξαγωνικού μπουλονιού. Αυτό μπορεί να προκαλέσει τραυματισμό.

Για να αφαιρέσετε τη λάμα, εκτελέστε τα ακόλουθα βήματα:

1. Ελευθερώστε τον ανασταλτικό πείρο και μετά ασφαλίστε τη λαβή στην ανασηκωμένη θέση στρώχνοντας μέσα τον ανασταλτικό πείρο.

► **Εικ.33:** 1. Ανασταλτικός πείρος



**▲ ΠΡΟΕΙΔΟΠΟΙΗΣΗ:** Αν απαιτείται ο δακτύλιος για τη στερέωση της λάμας στο αξόνιο, να βεβαιώσετε πάντα ότι έχει τοποθετηθεί ο σωστός δακτύλιος για την οπή δίσκου της λάμας που σκοπεύετε να χρησιμοποιήσετε, μεταξύ της εσωτερικής και εξωτερικής φλάντζας. Η χρήση εσφαλμένου δακτυλίου για την οπή άξονα μπορεί να καταλήξει σε εσφαλμένη στερέωση της λάμας προκαλώντας κίνηση της λάμας και σοβαρό κραδασμό με αποτέλεσμα πιθανή απώλεια ελέγχου κατά τη διάρκεια της λειτουργίας και σοβαρό προσωπικό τραυματισμό.

## Για εργαλείο με την εσωτερική φλάντζα για λάμα πριονιού με διάμετρο οπής διαφορετική από 20 mm ή 15,88 mm

### Ειδικό της χώρας

Η εσωτερική φλάντζα έχει μια ορισμένη διάμετρο του εξαρτήματος στερέωσης λάμας στη μία πλευρά και μια διαφορετική διάμετρο του εξαρτήματος στερέωσης λάμας στην άλλη πλευρά. Επιλέξτε τη σωστή πλευρά, στην οποία το εξάρτημα στερέωσης λάμας ταιριάζει τέλεια με την οπή λάμας πριονιού.

- **Εικ.40:** 1. Εξωτερική φλάντζα 2. Λάμα πριονιού 3. Εσωτερική φλάντζα 4. Εξαγωνικό μπουλόνι (αριστερόχειρο) 5. Αξόνισκος 6. Εξάρτημα στερέωσης λάμας

**▲ ΠΡΟΣΟΧΗ:** Βεβαιωθείτε ότι το εξάρτημα στερέωσης λάμας «α» στην εσωτερική φλάντζα που είναι τοποθετημένο προς τα έξω ταιριάζει τέλεια στην οπή της λάμας πριονιού «α». Εάν στερεώσετε τη λάμα στη λανθασμένη πλευρά, μπορεί να προκληθεί επικίνδυνος κραδασμός.

## Σάκος σκόνης

Η χρήση του σάκου σκόνης διευκολύνει την εκτέλεση των εργασιών κοπής με καθαριότητα όπως και τη συλλογή σκόνης.

Για να προσαρμόσετε τον σάκο σκόνης, εφαρμόστε τον πάνω στο στόμιο σκόνης.

Όταν ο σάκος σκόνης είναι περίπου μισογεμάτος, αφαιρέστε τον από το εργαλείο και τραβήξτε τον προσδετήρα έξω. Αδειάστε τον σάκο σκόνης από τα περιεχόμενά του, χτυπήστε τον ελαφρά έτσι ώστε να αφαιρεθούν τα σωματίδια που είναι κολλημένα από μέσα και μπορεί να εμποδίζουν την περαιτέρω συλλογή.

- **Εικ.41:** 1. Σάκος σκόνης 2. Στόμιο σκόνης 3. Προσδετήρας

**ΠΑΡΑΤΗΡΗΣΗ:** Εάν συνδέσετε μια ηλεκτρική σκούπα στο πριόνι σας, μπορεί να εκτελεστούν πιο καθαρές εργασίες.

- **Εικ.42**

## Ασφάλιση του τεμαχίου εργασίας

**▲ ΠΡΟΕΙΔΟΠΟΙΗΣΗ:** Είναι εξαιρετικά σημαντικό να ασφαλίσετε πάντα το τεμάχιο εργασίας σωστά με τη μέγγενη. Η μη συμμόρφωση μπορεί να καταλήξει σε σοβαρό τραυματισμό και να προκαλέσει ζημία στο εργαλείο ή/και στο τεμάχιο εργασίας.

**▲ ΠΡΟΕΙΔΟΠΟΙΗΣΗ:** Κατά την κοπή τεμαχίου εργασίας με μήκος μεγαλύτερο από εκείνο της βάσης στήριξης του πριονιού, το υλικό θα πρέπει να στηρίζεται σε ολόκληρο το μήκος του πέραν της βάσης στήριξης και στο ίδιο ύψος ώστε το υλικό να παραμένει σε οριζόντια θέση. Η κατάλληλη στήριξη του τεμαχίου εργασίας θα διευκολύνει ώστε να αποτραπεί η σύσφιξη της λάμας και το ενδεχόμενο κλότσημα που μπορεί να καταλήξει σε πρόκληση σοβαρού τραυματισμού. Μη βασίζεστε αποκλειστικά στην κάθετη ή/και οριζόντια μέγγενη για να ασφαλίσετε το τεμάχιο εργασίας. Τα λεπτά υλικά έχουν την τάση να λυγίζουν. Υποστηρίξτε το τεμάχιο εργασίας καθ' όλο το μήκος του για να αποφύγετε τσίμπημα της λάμας και πιθανό ΚΛΟΤΣΗΜΑ.

- **Εικ.43:** 1. Υποστήριξη 2. Περιστροφική βάση

## Κάθετη μέγγενη

**▲ ΠΡΟΕΙΔΟΠΟΙΗΣΗ:** Ασφαλίστε το τεμάχιο εργασίας σταθερά επάνω στην περιστροφική βάση και στο φράχτη οδηγό με τη μέγγενη κατά τη διάρκεια όλων των εργασιών. Διαφορετικά, το υλικό μπορεί να μετακινηθεί κατά τη διάρκεια της λειτουργίας κοπής, να προκαλέσει ζημία στη λάμα και να εκτοξευτεί, γεγονός που μπορεί να έχει ως αποτέλεσμα απώλεια ελέγχου και σοβαρό προσωπικό τραυματισμό.

Τοποθετήστε την κάθετη μέγγενη στην αριστερή ή στη δεξιά πλευρά του φράκτη οδηγού. Βάλτε τη ράβδο μέγγενης μέσα στην οπή του φράκτη οδηγού και σφίξτε την κάτω βίδα για να ασφαλίσετε τη ράβδο μέγγενης.

- **Εικ.44:** 1. Βραχίονας μέγγενης 2. Κουμπί μέγγενης 3. Φράκτης οδηγός 4. Περιστροφική βάση 5. Κάτω βίδα 6. Άνω βίδα 7. Ράβδος μέγγενης

Τοποθετήστε τον βραχίονα μέγγενης σύμφωνα με το πάχος και το σχήμα του τεμαχίου εργασίας και ασφαλίστε τον βραχίονα της μέγγενης σφίγγοντας την άνω βίδα. Εάν η άνω βίδα αγγίξει τον φράκτη οδηγού, τοποθετήστε την άνω βίδα στην απέναντι πλευρά του βραχίονα μέγγενης. Βεβαιωθείτε ότι κανένα μέρος του εργαλείου δεν έχει έρθει σε επαφή με τη μέγγενη όταν χαμηλώνετε εντελώς τη λαβή. Αν κάποιο μέρος έχει έρθει σε επαφή, επανατοποθετήστε την μέγγενη.

Πιέστε το τεμάχιο εργασίας επίπεδα επί του φράκτη οδηγού και της περιστροφικής βάσης. Τοποθετήστε το τεμάχιο εργασίας στην επιθυμητή θέση κοπής και ασφαλίστε το σταθερά σφίγγοντας το κουμπί της μέγγενης.

## Σύνδεση του ιμάντα ώμου

### Προαιρετικό εξάρτημα

**▲ΠΡΟΣΟΧΗ:** Να φροντίζετε να αφαιρείτε τον ιμάντα ώμου πριν θέσετε το εργαλείο σε λειτουργία. Ο ιμάντας ώμου μπορεί να εμπλακεί και να προκαλέσει τραυματισμό.

**▲ΠΡΟΣΟΧΗ:** Βεβαιωθείτε να συνδέετε με ασφάλεια τους γάντζους του ιμάντα ώμου με το εργαλείο. Αν οι γάντζοι είναι μερικώς συνδεδεμένοι, μπορεί να βγουν και να προκαλέσουν τραυματισμό.

Ο ιμάντας ώμου χρησιμεύει για τη μεταφορά του εργαλείου. Συνδέστε τους γάντζους του ιμάντα ώμου στο εργαλείο όπως απεικονίζεται στην εικόνα.

► **Εικ.45:** 1. Ιμάντας ώμου 2. Γάντζος

## ΛΕΙΤΟΥΡΓΙΑ

Το εργαλείο αυτό προορίζεται για την κοπή ξύλινων προϊόντων. Με κατάλληλες γνήσιες λάμες πριονιού της Makita, μπορείτε να πριονίσετε και τα ακόλουθα υλικά:

— Αλουμινένια προϊόντα

Ανατρέξτε στον ιστότοπό μας ή επικοινωνήστε με τον τοπικό σας αντιπρόσωπο της Makita για τις σωστές κυκλικές λάμες πριονιού για χρήση με το υλικό προς κοπή.

**▲ΠΡΟΕΙΔΟΠΟΙΗΣΗ:** Βεβαιωθείτε ότι η λάμα δεν έχει έρθει σε επαφή με το τεμάχιο εργασίας, κτλ., πριν ενεργοποιήσετε το εργαλείο. Η ενεργοποίηση του εργαλείου όταν η λάμα είναι σε επαφή με το τεμάχιο εργασίας μπορεί να καταλήξει σε κλότσημα και την πρόκληση σοβαρού τραυματισμού.

**▲ΠΡΟΕΙΔΟΠΟΙΗΣΗ:** Μετά το πέρας της λειτουργίας κοπής, μην ανυψώσετε τη λάμα εάν δεν έχει ακινητοποιηθεί πλήρως. Η ανύψωση μιας λάμας που συνεχίζει να περιστρέφεται εξ αδρανείας μπορεί να καταλήξει σε σοβαρό τραυματισμό και στην πρόκληση ζημίας στο τεμάχιο εργασίας.

**▲ΠΡΟΣΟΧΗ:** Μην αφήσετε την κεφαλή πριονιού χωρίς έλεγχο από την τέρμα κάτω θέση. Μια κεφαλή πριονιού χωρίς έλεγχο μπορεί να σας χτυπήσει και θα έχει ως αποτέλεσμα προσωπικό τραυματισμό.

**ΕΙΔΟΠΟΙΗΣΗ:** Πριν από τη χρήση, να βεβαιώνετε ότι ελευθερώνετε τη λαβή από τη χαμηλότερη θέση σπρώχνοντας τον ανασταλτικό πείρο.

**ΕΙΔΟΠΟΙΗΣΗ:** Μην εφαρμόζετε υπερβολική πίεση στη λαβή όταν κόβετε. Η υπερβολική δύναμη μπορεί να έχει ως αποτέλεσμα υπερφόρτωση του κινητήρα ή/και μειωμένη επάρκεια κοπής. Πιέστε τη λαβή μόνο με όση δύναμη είναι απαραίτητη για απαλή κοπή και χωρίς σημαντική μείωση στην ταχύτητα της λάμας.

**ΕΙΔΟΠΟΙΗΣΗ:** Πιέστε προς τα κάτω απαλά τη λαβή για να πραγματοποιήσετε την κοπή. Εάν η λαβή πιεστεί κάτω με δύναμη ή εάν εφαρμοστεί πλευρική δύναμη, η λάμα θα δονείται και θα αφήσει κάποιο σημάδι (σημάδι πριονιού) στο τεμάχιο εργασίας και η ακρίβεια της κοπής θα ελαττωθεί.

## Κοπή πίεσης (κοπή μικρών τεμαχίων εργασίας)

### ► Εικ.46

Τεμάχια εργασίας μέχρι ύψος 46 mm και πλάτος 92 mm μπορούν να κοπούν με τον ακόλουθο τρόπο.

1. Ασφαλίστε το τεμάχιο εργασίας με τη μέγγενη.
2. Ανάψτε το εργαλείο χωρίς η λάμα να κάνει καμιά επαφή και περιμένετε μέχρι η λάμα να αποκτήσει πλήρη ταχύτητα πριν τη χαμηλώσετε.
3. Χαμηλώστε απαλά τη λαβή στην κατώτερη δυνατή θέση για να κόψετε το τεμάχιο εργασίας.
4. Όταν ολοκληρωθεί η κοπή, σβήστε το εργαλείο και περιμένετε μέχρι η λάμα να έχει ακινητοποιηθεί τελείως πριν επιστρέψετε τη λάμα στην πλήρως αυξημένη θέση της.

## Λοξή κοπή

Ανατρέξτε στην ενότητα για τη ρύθμιση της λοξής γωνίας.

## Κωνική κοπή

**▲ΠΡΟΕΙΔΟΠΟΙΗΣΗ:** Μόλις ρυθμίσετε τη λάμα για κωνική κοπή, πριν θέσετε το εργαλείο σε λειτουργία, βεβαιωθείτε ότι η κεφαλή πριονιού και η λάμα μπορούν να κινηθούν ελεύθερα σε όλο το εύρος της προοριζόμενης κοπής. Τυχόν παρεμπόδιση της διαδρομής της κεφαλής πριονιού ή της λάμας κατά την εργασία κοπής μπορεί να καταλήξει σε κλότσημα και σοβαρό τραυματισμό.

**▲ΠΡΟΕΙΔΟΠΟΙΗΣΗ:** Όταν εκτελείτε κωνική κοπή, φροντίστε ώστε να χέρια σας να μην βρίσκονται στη διαδρομή της λάμας. Η γωνία της λάμας μπορεί να προκαλέσει αβεβαιότητα στο χειριστή όσον αφορά την πραγματική διαδρομή της λάμας κατά την κοπή και οποιαδήποτε επαφή με τη λάμα θα προκαλέσει σοβαρό τραυματισμό.

**▲ΠΡΟΕΙΔΟΠΟΙΗΣΗ:** Απαγορεύεται η ανύψωση της λάμας, εάν δεν ακινητοποιηθεί πρώτα η λάμα. Κατά την εκτέλεση κωνικής κοπής, το τεμάχιο που αποκόπτεται μπορεί να έρθει σε επαφή με τη λάμα. Εάν η λάμα ανυψωθεί ενώ ακόμη περιστρέφεται, το τεμάχιο που έχει αποκοπεί μπορεί να εκτιναχθεί κατά την επαφή με τη λάμα προκαλώντας διάλυση του τεμαχίου σε θραύσματα τα οποία μπορεί να προκαλέσουν σοβαρό τραυματισμό.

**▲ΠΡΟΕΙΔΟΠΟΙΗΣΗ:** Να αφαιρείτε πάντα τον βοηθητικό φράκτη όταν πραγματοποιείτε κωνικές κοπές. Εάν δεν το κάνετε αυτό, μπορεί να προκληθεί σοβαρός τραυματισμός.

### ► Εικ.47

1. Χαλαρώστε τον μοχλό και κλίνετε τη λάμα πριονιού για να ρυθμίσετε την κωνική γωνία (Ανατρέξτε στην προηγούμενη ενότητα «Ρύθμιση της κωνικής γωνίας»). Να βεβαιώνετε ότι ξανασφίγγετε τον μοχλό σταθερά για να ασφαλίσετε την επιλεχθείσα κωνική γωνία με ασφάλεια.
2. Ασφαλίστε το τεμάχιο εργασίας με μια μέγγενη.
3. Ανάψτε το εργαλείο χωρίς η λάμα να κάνει καμιά επαφή και περιμένετε μέχρι η λάμα να αποκτήσει πλήρη ταχύτητα.

4. Χαμηλώστε σιγά τη λαβή στην πλήρως χαμηλωμένη θέση ενώ ασκείτε πίεση παράλληλα στη λάμα που θα χρησιμοποιηθεί για την κοπή του τεμαχίου εργασίας.
5. Όταν ολοκληρωθεί η κοπή, σβήστε το εργαλείο και **περιμένετε μέχρι η λάμα να έχει ακινητοποιηθεί τελείως** πριν επιστρέψετε τη λάμα στην πλήρως αυξημένη θέση της.

**ΕΙΔΟΠΟΙΗΣΗ:** Όταν πατάτε κάτω τη λαβή, εφαρμόστε πίεση παράλληλα της λάμας. Εάν μια δύναμη εφαρμοστεί κάθετα στην περιστροφική βάση ή εάν η διεύθυνση της πίεσης αλλάξει κατά τη διάρκεια της κοπής, η ακρίβεια της κοπής θα ελαττωθεί.

## Σύνθετη κοπή

Η σύνθετη κοπή είναι η διαδικασία κατά την οποία μια κωνική γωνία γίνεται την ίδια στιγμή που μια λοξή γωνία κόβεται σε ένα τεμάχιο εργασίας. Η σύνθετη κοπή μπορεί να εκτελεστεί στη γωνία που φαίνεται στον πίνακα.

Λοξή γωνία	Κωνική γωνία
Αριστερά και δεξιά 45°	Αριστερά και δεξιά 0° - 45°
Δεξιά 52°	Αριστερά 20° - Δεξιά 45°
Αριστερά 52°	Αριστερά 45° - Δεξιά 20°

Όταν εκτελείτε σύνθετη κοπή, ανατρέξτε στις εξηγήσεις των ενοτήτων «Κοπή πίεσης», «Λοξή κοπή» και «Κωνική κοπή».

## Κοπή αλουμινένιας προεξοχής

- **Εικ.48:** 1. Μέγνη 2. Τάκος ρύθμισης απόστασης 3. Φράχτης οδηγός 4. Αλουμινένια προεξοχή 5. Τάκος ρύθμισης απόστασης

Όταν ασφαλίσετε τις αλουμινένιες προεξοχές, χρησιμοποιήστε τάκος ρύθμισης απόστασης ή πλατιά κομμάτια ξύλου, όπως απεικονίζεται στην εικόνα, για να εμποδίσετε την παραμόρφωση του αλουμινίου. Να χρησιμοποιείτε ένα λιπαντικό κοπής κατά την κοπή της αλουμινένιας προεξοχής, ώστε να αποφευχθεί η συσσώρευση του αλουμινένιου υλικού στη λάμα.

**ΠΡΟΣΟΧΗ:** Μην επιχειρήσετε ποτέ να κόψετε αλουμινένιες προεξοχές με μεγάλο πάχος ή στρογγυλές διατομής. Οι αλουμινένιες προεξοχές με μεγάλο πάχος μπορεί να αποσπαστούν κατά τη διάρκεια της εργασίας και οι στρογγυλές αλουμινένιες προεξοχές δεν μπορούν να ασφαλιστούν σταθερά με αυτό το εργαλείο.

## Κοπή επαναληπτικών μηκών

Όταν κόβετε πολλά τεμάχια υλικού στο ίδιο μήκος, από 200 mm έως 330 mm, χρησιμοποιήστε την πλάκα ρύθμισης (προαιρετικό εξάρτημα). Τοποθετήστε την πλάκα ρύθμισης στη θήκη (προαιρετικό εξάρτημα) όπως φαίνεται στην εικόνα.

- **Εικ.49:** 1. Πλάκα ρύθμισης 2. Θήκη 3. Βίδα

Ευθυγραμμίστε τη γραμμή κοπής στο τεμάχιο εργασίας σας με την αριστερή ή δεξιά πλευρά της αυλάκωσης στη σανίδα εγκοπής και ενώ κρατάτε το τεμάχιο εργασίας, μετακινήστε την πλάκα ρύθμισης στο ίδιο ύψος με την άκρη του τεμαχίου εργασίας. Μετά ασφαλίστε την πλάκα ρύθμισης με τη βίδα.

Όταν η πλάκα ρύθμισης δεν χρησιμοποιείται, χαλαρώστε τη βίδα και γυρίστε την πλάκα ρύθμισης ώστε να μην εμποδίζει.

## Μεταφορά εργαλείου

**ΠΡΟΕΙΔΟΠΟΙΗΣΗ:** Ο ανασταλτικός πέιρος προορίζεται μόνο για λόγους μεταφοράς και φύλαξης και δεν θα πρέπει ποτέ να χρησιμοποιείται σε οποιαδήποτε εργασία κοπής. Η χρήση του ανασταλτικού πέιρου για εργασίες κοπής μπορεί να προκαλέσει μη αναμενόμενη κίνηση της λάμας πρινυιο προκαλώντας κλότσημα και σοβαρό τραυματισμό.

**ΠΡΟΣΟΧΗ:** Να ασφαλίσετε πάντα όλα τα κινούμενα τμήματα πριν μεταφέρετε το εργαλείο. Σε περιπτώσεις μετακίνησης μερών του εργαλείου μπορεί να προκύψει απώλεια ελέγχου ή ισορροπίας προκαλώντας προσωπικό τραυματισμό.

1. Αφαιρέστε την κασέτα μπαταριών.
2. Ασφαλίστε τη λάμα σε κωνική γωνία 0° και την περιστροφική βάση στην τέρμα δεξιά λοξή γωνία.  
► **Εικ.50:** 1. Περιστροφική βάση
3. Χαμηλώστε τη λαβή πλήρως και κλειδώστε την στην κάτω θέση σπρώχνοντας μέσα τον ανασταλτικό πέιρο.
4. Μεταφέρετε το εργαλείο κρατώντας το από τη λαβή.  
► **Εικ.51**

## ΣΥΝΤΗΡΗΣΗ

**ΠΡΟΕΙΔΟΠΟΙΗΣΗ:** Πάντοτε να επιβεβαιώνετε ότι η λάμα είναι ακονισμένη και καθαρή για την καλύτερη και ασφαλέστερη απόδοση. Εάν επιχειρήσετε να εκτελέσετε κοπή χρησιμοποιώντας στομαυμένη ή/και ακάθαρτη λάμα, μπορεί να προκληθεί κλότσημα και κατά συνέπεια σοβαρός τραυματισμός.

**ΠΡΟΣΟΧΗ:** Πριν την εκτέλεση εργασιών επιθεώρησης ή συντήρησης, πάντοτε να βεβαιώνετε ότι η συσκευή απενεργοποιήθηκε και η κασέτα μπαταριών έχει αφαιρεθεί.

**ΕΙΔΟΠΟΙΗΣΗ:** Μην χρησιμοποιείτε ποτέ βενζίνη, πετρελαϊκό αιθέρα, διαλυτικό, αλκοόλη ή παρόμοιες ουσίες. Μπορεί να προκληθεί αποχρωματισμός, παραμόρφωση ή ρωγμές.

Για τη διατήρηση της ΑΣΦΑΛΕΙΑΣ και ΑΞΙΟΠΙΣΤΙΑΣ του προϊόντος, οι επισκευές και οποιαδήποτε άλλη εργασία συντήρησης ή ρύθμισης πρέπει να εκτελούνται από εξουσιοδοτημένα ή εργοστασιακά κέντρα εξυπηρέτησης της Makita, χρησιμοποιώντας πάντοτε ανταλλακτικά της Makita.

## Ρύθμιση της γωνίας κοπής

Αυτό το εργαλείο είναι προσεκτικά ρυθμισμένο και ευθυγραμμισμένο στο εργοστάσιο, αλλά σκληρή μεταχείριση μπορεί να έχει επηρεάσει την ευθυγράμμιση. Εάν το εργαλείο σας δεν είναι ευθυγραμμισμένο κατάλληλα, εκτελέστε τα ακόλουθα:

### Λοξή γωνία

1. Χαλαρώστε τη βίδα στερέωσης περιστρεφοντάς την αριστερόστροφα.
2. Γυρίστε την περιστροφική βάση μέχρι ο δείκτης να δείχνει 0° στη λοξή κλίμακα.

► **Εικ.52:** 1. Βίδα στερέωσης 2. Περιστροφική βάση 3. Κλίμακα λοξής γωνίας 4. Δείκτης

3. Γυρίστε την περιστροφική βάση ελαφρά δεξιόστροφα και αριστερόστροφα για να τοποθετήσετε την περιστροφική βάση στη λοξή εγκοπή των 0°. (Αφήστε το όπως είναι εάν ο δείκτης δεν δείχνει στις 0°).

4. Χαλαρώστε τα μπουλόνια εξαγωνικού κοιλώματος που ασφαλίζουν το φράχτη οδηγό χρησιμοποιώντας το εξαγωνικό κλειδί.

► **Εικ.53:** 1. Φράκτης οδηγός 2. Μπουλόνι εξαγωνικού κοιλώματος

► **Εικ.54:** 1. Φράκτης οδηγός 2. Μπουλόνι εξαγωνικού κοιλώματος

5. Χαμηλώστε τη λαβή πλήρως και κλειδώστε την στην κάτω θέση σπρώχνοντας μέσα τον ανασταλτικό πείρο.
6. Προσαρμόστε το φράκτη οδηγού μέχρι να δημιουργηθεί μια κάθετη γωνία με τη λάμα χρησιμοποιώντας έναν τριγωνικό κανόνα, τετράγωνο κανόνα, κτλ. Μετά, ασφαλίστε καλά το μπουλόνι εξαγωνικού κοιλώματος στο φράκτη οδηγού.

► **Εικ.55:** 1. Φράκτης οδηγός 2. Τριγωνικός κανόνας 3. Λάμα πριονιού

7. Βεβαιωθείτε ότι ο δείκτης δείχνει 0° στη λοξή κλίμακα. Εάν ο δείκτης δεν δείχνει 0°, χαλαρώστε τη βίδα που ασφαλίζει τον δείκτη και ρυθμίστε τον δείκτη έτσι ώστε να δείχνει 0°.

► **Εικ.56:** 1. Βίδα 2. Λοξή κλίμακα 3. Δείκτης

### Κωνική γωνία

#### 0° κωνική γωνία

1. Χαμηλώστε τη λαβή πλήρως και κλειδώστε τη στην κάτω θέση σπρώχνοντας μέσα τον ανασταλτικό πείρο.

2. Χαλαρώστε τον μοχλό στο πίσω μέρος του εργαλείου.

3. Γυρίστε το ρυθμιστικό μπουλόνι κωνικής γωνίας 0° στη δεξιά πλευρά της κεφαλής πριονιού δύο ή τρεις περιστροφές αριστερόστροφα για να δώσετε κλίση στη λάμα στα δεξιά.

► **Εικ.57:** 1. Ρυθμιστικό μπουλόνι 2. Μοχλός

4. Γυρίστε το ρυθμιστικό μπουλόνι κωνικής γωνίας 0° δεξιόστροφα προσεκτικά μέχρι η πλευρά της λάμας να σχηματίσει κάθετη γωνία με την άνω επιφάνεια της περιστροφικής βάσης. Χρησιμοποιήστε τριγωνικό κανόνα, τετράγωνο κανόνα, κτλ. ως οδηγό. Μετά σφίξτε τον μοχλό με ασφάλεια.

► **Εικ.58:** 1. Τριγωνικός κανόνας 2. Λάμα πριονιού 3. Άνω επιφάνεια περιστροφικού τραπέζιού

5. Βεβαιωθείτε ότι ο δείκτης στο βραχίονα υποδεικνύει 0° στην κωνική κλίμακα. Εάν δεν δείχνει 0° χαλαρώστε τη βίδα που ασφαλίζει το δείκτη και ρυθμίστε το δείκτη έτσι ώστε να δείχνει 0°.

► **Εικ.59:** 1. Βίδα 2. Δείκτης 3. Κωνική κλίμακα

### 45° κωνική γωνία

Ρυθμίστε την κωνική γωνία 45° μόνο αφού εκτελέσετε ρύθμιση κωνικής γωνίας 0°.

1. Χαλαρώστε το μοχλό και γείρετε τη λάμα πλήρως αριστερά.

2. Βεβαιωθείτε ότι ο δείκτης στο βραχίονα υποδεικνύει 45° στην κωνική κλίμακα. Εάν ο δείκτης δεν δείχνει στις 45°, γυρίστε το αριστερό ρυθμιστικό μπουλόνι κωνικής γωνίας 45° στη δεξιά πλευρά του βραχίονα μέχρι ο δείκτης να δείξει στις 45°.

► **Εικ.60:** 1. Δεξιό ρυθμιστικό μπουλόνι κωνικής γωνίας 45° 2. Δείκτης 3. Αριστερό ρυθμιστικό μπουλόνι κωνικής γωνίας 45°

3. Γείρετε τη λάμα εντελώς προς τα δεξιά και μετά ρυθμίστε τη δεξιά κωνική γωνία 45° χρησιμοποιώντας το δεξιό ρυθμιστικό μπουλόνι κωνικής γωνίας 45°.

► **Εικ.61:** 1. Λάμα πριονιού 2. Τριγωνικός κανόνας

## Ρύθμιση της θέσης γραμμής λέιζερ

**▲ ΠΡΟΕΙΔΟΠΟΙΗΣΗ:** Η κασέτα μπαταρίας πρέπει να είναι τοποθετημένη στο εργαλείο ενώ ρυθμίζετε τη γραμμή λέιζερ. Προσέχετε ιδιαίτερα να μην ενεργοποιήσετε το εργαλείο κατά τη ρύθμιση. Η τυχαία εκκίνηση του εργαλείου μπορεί να καταλήξει σε σοβαρό τραυματισμό.

**▲ ΠΡΟΣΟΧΗ:** Μην κοιτάζετε ποτέ απευθείας τη δέση λέιζερ. Η άμεση έκθεση των ματιών στο φως μπορεί να προκαλέσει σοβαρή βλάβη στα μάτια σας.

**ΕΙΔΟΠΟΙΗΣΗ:** Να ελέγχετε τακτικά τη θέση της γραμμής λέιζερ για ακρίβεια.

**ΕΙΔΟΠΟΙΗΣΗ:** Να προσέχετε ώστε να μην προκαλούνται κρούσεις στο εργαλείο. Μπορεί να προκαλέσει τη λανθασμένη ευθυγράμμιση της γραμμής λέιζερ ή μπορεί να προκαλέσει ζημιά στο λέιζερ, γεγονός που μπορεί να συντομεύσει τη διάρκεια ζωής του.

**ΕΙΔΟΠΟΙΗΣΗ:** Ζητήστε από εξουσιοδοτημένο κέντρο εξυπηρέτησης της Makita να επισκευάσει το εργαλείο για οποιαδήποτε βλάβη της μονάδας λέιζερ.

Το κινητό εύρος της γραμμής λέιζερ ρυθμίζεται με τις βίδες ρύθμισης εύρους και στις δύο πλευρές. Εκτελέστε τις ακόλουθες διαδικασίες για να τροποποιήσετε τη θέση της γραμμής λέιζερ.

1. Αφαιρέστε την κασέτα μπαταριών.
  2. Σχεδιάστε μια γραμμή κοπής στο τεμάχιο εργασίας και τοποθετήστε το στην περιστροφική βάση. Αυτή τη στιγμή, μην ασφαλίσετε το τεμάχιο εργασίας με μέγγενη ή παρόμοια διάταξη συγκράτησης.
  3. Χαμηλώστε τη λαβή και ευθυγραμμίστε τη γραμμή κοπής με τη λάμα πριονιού.
- **Εικ.62:** 1. Γραμμή κοπής

4. Επιστρέψτε τη λαβή στην αρχική θέση και ασφαλίστε το τεμάχιο εργασίας με την κάθετη μέγγενη ώστε το τεμάχιο εργασίας να μην μετακινείται από τη θέση που έχετε καθορίσει.

► **Εικ.63:** 1. Μέγγενη

5. Τοποθετήστε την κασέτα μπαταρίας στο εργαλείο και ανοίξτε το διακόπτη λείζερ.

6. Χαλαρώστε τη ρυθμιστική βίδα. Για να μετακινήσετε τη γραμμή λείζερ μακριά από τη λάμα, γυρίστε τις βίδες ρύθμισης εύρους αριστερόστροφα. Για να μετακινήσετε τη γραμμή λείζερ κοντά στη λάμα, γυρίστε τη βίδα ρύθμισης εύρους δεξιόστροφα.

**Ρύθμιση της γραμμής λείζερ στην αριστερή πλευρά της λάμας**

► **Εικ.64:** 1. Ρυθμιστική βίδα 2. Βίδα ρύθμισης εύρους 3. Εξαγωνικό κλειδί 4. Γραμμή λείζερ 5. Λάμα πριονιού

**Ρύθμιση της γραμμής λείζερ στη δεξιά πλευρά της λάμας**

► **Εικ.65:** 1. Βίδα ρύθμισης εύρους 2. Εξαγωνικό κλειδί 3. Γραμμή λείζερ 4. Λάμα πριονιού

7. Σύρετε τη ρυθμιστική βίδα στη θέση που η γραμμή λείζερ έρθει στη γραμμή κοπής και μετά σφίξτε.

**ΠΑΡΑΤΗΡΗΣΗ:** Το κινητό εύρος της γραμμής λείζερ ρυθμίζεται εργοστασιακά εντός 1 mm από την πλαινί επιφάνεια της λάμας.

## Καθαρισμός του φακού φωτός λείζερ

Το φως λείζερ δεν φαίνεται εύκολα καθώς ο φακός για το φως λείζερ βρομίζει. Να καθαρίζετε περιοδικά το φακό για το φως λείζερ.

Αφαιρέστε την κασέτα μπαταριών. Χαλαρώστε τη βίδα και τραβήξτε το φακό για να τον βγάλετε. Καθαρίστε το φακό απαλά με ένα βρεγμένο μαλακό πανί.

► **Εικ.66:** 1. Βίδα

► **Εικ.67:** 1. Φακός

**ΕΙΔΟΠΟΙΗΣΗ:** Μην αφαιρέσετε τη βίδα που ασφαλίζει το φακό. Αν ο φακός δεν βγαίνει, χαλαρώστε τη βίδα περισσότερο.

**ΕΙΔΟΠΟΙΗΣΗ:** Μην χρησιμοποιείτε διαλύτες ή καθαριστικά με βάση το πετρέλαιο στον φακό.

## Μετά τη χρήση

Μετά τη χρήση, σφουγγίστε τα τεμαχίδια και τη σκόνη που είναι κολλημένα στο εργαλείο με ένα πανί ή κάτι παρόμοιο. Κρατήστε τον προφυλακτήρα λάμας καθαρό σύμφωνα με τις οδηγίες στην προηγούμενως καλυφθείσα ενότητα με τίτλο «Προφυλακτήρας λάμας». Λιπαίνετε τα μέρη που γλιστρούν με μηχανικό έλαιο για να μην οξειδωθούν.

## ΠΡΟΑΙΡΕΤΙΚΑ ΕΞΑΡΤΗΜΑΤΑ

**▲ ΠΡΟΕΙΔΟΠΟΙΗΣΗ:** Αυτά τα εξαρτήματα Makita ή προσαρτήματα συνιστώνται για χρήση με το εργαλείο Makita που περιγράφηκε στις οδηγίες αυτές. Η χρήση οποιωνδήποτε άλλων εξαρτημάτων ή προσαρτημάτων μπορεί να καταλήξει σε πρόκληση σοβαρού τραυματισμού.

**▲ ΠΡΟΕΙΔΟΠΟΙΗΣΗ:** Το εξαρτήματα ή το προσαρτήμα της Makita να χρησιμοποιείται μόνο για την προοριζόμενη χρήση του. Η κακή χρήση ενός εξαρτήματος ή προσαρτήματος μπορεί να καταλήξει σε πρόκληση σοβαρού τραυματισμού.

Εάν χρειάζεστε οποιαδήποτε βοήθεια για περισσότερες πληροφορίες σε σχέση με αυτά τα εξαρτήματα, αποτανθείτε στο τοπικό σας κέντρο εξυπηρέτησης Makita.

- Λάμες πριονιού καρβιδικών άκρων
- Διάταξη ράβδου θήκης
- Πλάκα ρύθμισης
- Ιμάντας ώμου
- Γνήσια μπαταρία και φορτιστής της Makita

**ΠΑΡΑΤΗΡΗΣΗ:** Μερικά στοιχεία στη λίστα μπορεί να συμπεριλαμβάνονται στη συσκευασία εργαλείου ως στάνταρ εξαρτήματα. Μπορεί να διαφέρουν ανάλογα με τη χώρα.

## TEKNİK ÖZELLİKLER

Model:	DL5600
Bıçak çapı	165 mm
Delik (mil) çapı	20 mm
Maks. gönye açısı	Sol 52°, Sağ 52°
Maks. eğim açısı	Sol 45° (serbest bırakma kolu kullanıldığında 46°), Sağ 45° (serbest bırakma kolu kullanıldığında 46°)
Yüksüz hız	5.000 min <sup>-1</sup>
Lazer tipi	Kırmızı lazer 650 nm, Maksimum çıkış < 1,6 mW (lazer Sınıfı 2M)
Ebat (U x G x Y)	340 mm x 400 mm x 440 mm
Nominal voltaj	D.C. 18 V
Net ağırlık	6,3 - 6,6 kg

### 165 mm çaplı bıçakla maksimum kesme kapasiteleri (Y x G)

Gönye açısı	Eğim açısı		
	45° (sol)	0°	45° (sağ)
0°	30 mm x 92 mm	46 mm x 92 mm	15 mm x 92 mm
45° (sağ ve sol)	30 mm x 65 mm	46 mm x 65 mm	15 mm x 65 mm

- Sürekli yapılan araştırma ve geliştirmelerden dolayı, burada belirtilen özellikler önceden bildirilmeksizin değiştirilebilir.
- Özellikler ve batarya kartuşu ülkeden ülkeye değişebilir.
- Ağırlık, ekli aksesuara/aksesuarlara ve batarya kartuşuna bağlı olarak farklılık gösterebilir. EPTA-Prosedürü 01/2014'e göre en hafif ve en ağır kombinasyonlar tabloda verilmiştir.

### Geçerli batarya kartuşu ve şarj aleti

Batarya kartuşu	BL1815N / BL1820B / BL1830B / BL1840B / BL1850B / BL1860B
Şarj aleti	DC18RC / DC18RD / DC18RE / DC18SD / DC18SE / DC18SF / DC18SH

- Yukarıda listelenen batarya kartuşlarının ve şarj aletlerinin bazıları yaşadığınız bölgeye bağlı olarak mevcut olmayabilir.

**UYARI:** Sadece yukarıda listelenen batarya kartuşlarını ve şarj aletlerini kullanın. Başka batarya kartuşlarının ve şarj aletlerinin kullanılması yaralanma ve/veya yangına neden olabilir.

### Semboller

Ekipmanı için kullanılacak semboller aşağıda gösterilmiştir. Kullanmadan önce anlamlarını anladığınızdan emin olun.



Kullanma kılavuzunu okuyun.



Güvenlik gözlüğü takın.



Sıçrayan parçalardan yaralanmayı önlemek için kesim bittikten sonra bıçak tamamen durana kadar testere başını daima aşağıda tutun.



Elinizi ve parmaklarınızı bıçağa yaklaştırmayın.



Lazer ışınına asla bakmayın. Direkt lazer ışını gözlerinize zarar verebilir.



Sadece AB ülkeleri için  
Ekipmanda tehlikeli bileşenler bulunduğundan dolayı atık elektrikli ve elektronik ekipmanlar, aküler ve bataryalar çevre ve insan sağlığı üzerinde olumsuz etkiye yol açabilir.  
Elektrikli ve elektronik cihazları veya bataryaları evsel atıklarla birlikte atmayın!  
Atık elektrikli ve elektronik ekipmanlar ile akümülatörler ve bataryalar hakkındaki Avrupa Direktifi ve söz konusu direktifin ulusal yasalara uyarlanması gereğince atık elektrikli ekipmanlar, bataryalar ve akümülatörler ayrı olarak depolanmalı ve çevre koruma hakkındaki mevzuata uygun olarak faaliyet gösteren ayrı bir kentsel atık toplama noktasına teslim edilmelidir.  
Bu husus, ekipmanın üzerine yerleştirilmiş üzerinde çarpı işareti bulunan tekerlekli çöp kovası simgesi ile belirtilmiştir.



## Kullanım amacı

Bu alet, ahşap malzemede düz ve gönyeli hassas kesimler yapmak için tasarlanmıştır. Testereyi tahta, alüminyum ve benzeri dışındaki malzemeleri kesmek için kullanmayın.

## Gürültü

Tipik A-ağırlıklı gürültü düzeyi (EN62841-3-9 standardına göre belirlenen):  
Ses basınç seviyesi ( $L_{pA}$ ): 90 dB (A)  
Ses gücü düzeyi ( $L_{WA}$ ): 97 dB (A)  
Belirsizlik (K): 3 dB (A)

**NOT:** Beyan edilen gürültü emisyonu değer(ler) bir standart test yöntemine uygun şekilde ölçülmüştür ve bir aleti bir başkasıyla karşılaştırmak için kullanılabilir.

**NOT:** Beyan edilen gürültü emisyonu değer(ler) i bir ön maruz kalma değerlendirmesi olarak da kullanılabilir.

**UYARI:** Kulak koruyucuları takın.

**UYARI:** Elektrikli aletin gerçek kullanımı sırasındaki gürültü emisyonu, aletin kullanım biçimlerine, özellikle işlenen iş parçasının türüne bağlı olarak beyan edilen değer(ler)den farklı olabilir.

**UYARI:** Gerçek kullanım koşullarındaki tahmini maruziyeti baz alan, operatörü koruyacak güvenli önlemlerini mutlaka belirleyin (çalışma döngüsü içerisinde aletin kapalı olduğu ve aktif durumda olmasının yanı sıra boşta çalıştığı zamanlar gibi, bütün zaman dilimleri göz önünde bulundurarak).

## Titreşim

Titreşim toplam değeri (üç eksenli vektör toplamı) (EN62841-3-9 standardına göre hesaplanan):  
Titreşim emisyonu ( $a_{rh}$ ): 2,5 m/s<sup>2</sup> den az  
Belirsizlik (K) : 1,5 m/s<sup>2</sup>

**NOT:** Beyan edilen titreşim toplam değer(ler) i bir standart test yöntemine uygun şekilde ölçülmüştür ve bir aleti bir başkasıyla karşılaştırmak için kullanılabilir.

**NOT:** Beyan edilen titreşim toplam değer(ler) i bir ön maruz kalma değerlendirmesi olarak da kullanılabilir.

**UYARI:** Elektrikli aletin gerçek kullanımı sırasındaki titreşim emisyonu, aletin kullanım biçimlerine, özellikle işlenen iş parçasının türüne bağlı olarak beyan edilen değer(ler)den farklı olabilir.

**UYARI:** Gerçek kullanım koşullarındaki tahmini maruziyeti baz alan, operatörü koruyacak güvenli önlemlerini mutlaka belirleyin (çalışma döngüsü içerisinde aletin kapalı olduğu ve aktif durumda olmasının yanı sıra boşta çalıştığı zamanlar gibi, bütün zaman dilimleri göz önünde bulundurarak).

## EC Uygunluk Beyanı

### Sadece Avrupa ülkeleri için

EC uygunluk beyanı bu kullanım kılavuzuna Ek A olarak eklenmiştir.

## GÜVENLİK UYARILARI

### Genel elektrikli alet güvenliği uyarıları

**UYARI:** Bu elektrikli aletle birlikte sunulan tüm güvenlik uyarılarını, talimatları, çizimleri ve teknik özellikleri okuyun. Aşağıda verilen talimatlara uyulmaması elektrik şoku, yangın ve/veya ciddi yaralanmalar ile sonuçlanabilir.

### Tüm uyarıları ve talimatları iletiride başvurmak için saklayın.

Uyarılardaki "elektrikli alet" terimi ile ya prizden çalışan (kordonlu) elektrikli aletiniz ya da kendi aküsü ile çalışan (kordonsuz) elektrikli aletiniz kastedilmektedir.

### Gönye kesme testereleri için güvenlik talimatları

- Gönye kesme testereleri ahşap veya ahşap benzeri ürünleri kesmek için tasarlanmıştır, çubuklar, rodlar, saplamalar, vb. gibi demir malzemeleri kesmek için aşındırıcı kesim diskleriyle kullanılamaz.** Aşındırıcı toz alt siper gibi hareketli parçaların sıkışmasına neden olur. Aşındırıcı kesimden kaynaklanan kıvılcımlar alt siperi, kesim kanalı ve diğer plastik parçaları yakar.
  - Mümkün olan her durumda iş parçasını men-geneler kullanarak destekleyin. İş parçasını elle destekliyorsanız elini daima testere bıçağının her iki tarafından en az 100 mm uzakta tutun. Bu testereyi, sabitlenemeyecek veya elle tutulamayacak kadar küçük parçaları kesmek için kullanmayın.** Eliniz testere bıçağına çok yakın yerleştirilirse yüksek oranda bıçağına temas ederek yaralanma riski vardır.
  - İş parçası sabit olmalı ve mengene ile sabitlenmeli veya bariyer ve tezgaha dayanacak şekilde tutulmalıdır. İş parçasını "sabitlemeden" hiçbir şekilde bıçağına sürmeyin veya kesmeyin.** Sabitlenmemiş veya hareket eden iş parçaları yüksek hızlarda fırlayarak yaralanmaya neden olabilir.
  - Elinizi, testere bıçağının önünden veya arkasından tasarlanan kesim çizgisinin öbür tarafa geçirmeyin.** İş parçasının "çarpık şekilde" yani iş parçasını testere bıçağının sağında sol elinizde tutarak veya tersi şekilde desteklemek çok tehlikelidir.
- **Şek.1**
- Bıçak dönerken atık ahşap parçalarını kaldırmak veya başka herhangi bir nedenle testere bıçağının her iki tarafına 100 mm'den daha yakın olacak şekilde ellerinizle bariyerin arkasına uzanmayın.** Dönen testere bıçağının elinize olan yakınlığı belli olmayabilir ve ciddi şekilde yaralanabilirsiniz.
  - Kesmeden önce iş parçasını inceleyin. İş parçası eğri veya çarpık ise dış eğri kısmı bariyere gelecek şekilde mengene ile sabitleyin. Kesim çizgisi boyunca iş parçası, bariyer ve tezgah arasında boşluk kalmadığından daima emin olun.** Eğri veya çarpık iş parçaları dönebilir veya kayabilir ve kesim sırasında dönen testere bıçağına takılmasına neden olabilir. İş parçasında çivi veya yabancı maddeler olmamalıdır.

7. **Tezgahta iş parçası dışındaki tüm aletler, atık ahşap parçaları, vb. kaldırılmadan testereyi kullanmayın.** Dönen bıçağa temas eden küçük atıklar veya gevşek ahşap parçaları ya da başka nesnelere yüksek hızla fırlatabilir.
  8. **Tek seferde sadece bir adet iş parçası kesin.** Üst üste dizilen birden fazla iş parçası yeterli kadar sabitlenemeyebilir veya desteklenemeyebilir ve kesim sırasında bıçağa takılabilir veya kayabilir.
  9. **Kullanmadan önce gönye kesme makinasının düz, sabit bir çalışma yüzeyine monte edildiğinden veya yerleştirildiğinden emin olun.** Düz ve sabit çalışma yüzeyi gönye kesme makinasının dengesini yitirme riskini azaltır.
  10. **İşinizi planlayın. Eğitim veya gönye açısı ayarını her değiştirdiğinizde ayarlanabilir bariyerin iş parçasını destekleyecek şekilde doğru ayarlandığından ve bıçak veya koruma siperi sistemine müdahale etmeyeceğinden emin olun.** Aleti "Açık" konuma almadan önce ve tezgahta iş parçası yokken bariyere müdahale edilmeyeceğinden veya bariyerin kesilme tehlikesi olmadığından emin olmak için testere bıçağını tam bir temsili kesim yapacak şekilde hareket ettirin.
  11. **Tezgahtan daha geniş veya uzun iş parçası için tezgah uzantıları, testere tezgahları, vb. gibi yeterli destek sağlayın.** Gönye kesme makinasının tezgahından daha uzun veya daha geniş iş parçaları emniyetli bir şekilde desteklenmezse devrilebilir. Kesilen parça veya iş parçası devrilsen alt siperi kaldırılabilir veya dönen bıçak tarafından fırlatılabilir.
  12. **Tezgah uzantısı veya ilave destek yerine başka bir kişiyi kullanmayın.** İş parçasının dengesiz şekilde desteklenmesi kesim işlemi sırasında bıçağın takılmasına veya iş parçasının kaymasına neden olarak sizi veya yardım eden kişiyi dönen bıçağa çekebilir.
  13. **Kesilen parça dönen testere bıçağına dayanacak şekilde hiçbir biçimde sıkıştırılmamalı veya bastırılmamalıdır.** Uzunluk dayanakları kullanarak sınırlandırılması durumunda kesilen parça bıçağına dayanıp kalarak şiddetli bir şekilde fırlatabilir.
  14. **Daima çubuklar veya borular gibi yuvarlak malzemeleri düzgün şekilde desteklemek üzere tasarlanmış mengene veya sabitleme aparatı kullanın.** Çubuklar kesilirken dönme eğilimi gösterdiklerinden bıçak iş parçasını kavrayarak elinizle birlikte bıçağı çekilmesine neden olur.
  15. **İş parçasına temas ettirmeden önce bıçağın tam hız çıkmasını bekleyin.** Bu, iş parçasının fırlatılma riskini düşürecektir.
  16. **İş parçası veya bıçak sıkışırca gönye kesme makinasını kapatın. Tüm hareketli parçaların durmasını bekleyin ve fişi elektrik prizinden çekin ve/veya bataryayı çıkarın. Daha sonra sıkışan malzemeyi çıkarmaya çalışın.** Sıkışan iş parçası ile kesmeye devam etmek kontrol kaybına veya gönye kesme makinasının hasar görmesine neden olabilir.
  17. **Kesimi tamamladıktan sonra anahtarı bırakın, testere kafasını aşağıda tutun ve kesilen parçayı çıkarmadan önce bıçağın durmasını bekleyin.** Boşta dönen bıçağın yakınına elinizle uzanmak tehlikelidir.
  18. **Eksik kesim yaparken veya testere kafası tamamen aşağı konuma gelmeden önce anahtarı bırakırken tutamağı sıkıca tutun.** Testerenin frenleme hareketi testere kafasının aniden aşağı doğru çekilmesine neden olarak yaralanma riskine yol açabilir.
  19. **Sadece alet üzerinde işaretli olan ya da kılavuzda belirtilen çapta testere bıçağı kullanın.** Yanlış boyutta bir bıçak kullanılması bıçağın doğru bir şekilde korunmasını ya da koruma parçasının işlevini etkileyebilir, bu da ciddi kişisel yaralanmalara neden olabilir.
  20. **Sadece hızlı alet üzerinde işaretli olan hızza eşit ya da ondan daha yüksek olan testere bıçaklarını kullanın.**
  21. **Testereyi tahta, alüminyum ve benzeri dışındaki malzemeleri kesmek için kullanmayın.**
  22. **(Sadece Avrupa ülkeleri için) Daima EN847-1'e uygun bıçak kullanın.**
- Ek talimatlar**
1. **Atölyeyi asma kilitlerle çocukların erişemeyeceği hale getirin.**
  2. **Hiçbir zaman aletin üzerine çıkmayın.** Alet devrilsen veya kesim aleti kazara temas ederse ciddi yaralanma meydana gelebilir.
  3. **Aleti hiçbir zaman çalışır durumda başı boş bırakmayın. Gücü kapatın. Tamamen durmadan aletin başından ayrılmasını.**
  4. **Koruma siperlerini yerine takmadan testereyi kullanmayın. Her kullanımdan önce bıçak siperinin doğru bir şekilde kapatılıp kapatılmadığını kontrol edin. Bıçak siperi serbest bir şekilde hareket etmiyor ve anında kapanmıyorsa testereyi kullanmayın. Bıçak siperini asla açık konumda kalacak şekilde sıkıştırma ve bağlamayın.**
  5. **Ellerinizi testere bıçağının hareket alanından uzak tutun. Alet durdurulduktan sonra durana kadar boşta dönen bıçağı temastan sakının. Ciddi yaralanmalara sebep olabilir.**
  6. **Aleti taşımadan önce hareket eden tüm parçaları sabitleyin.**
  7. **Kesici kafanın aşağı sabitlenmesini sağlayan sabitleme pimi sadece taşıma ve saklama amacıyla kullanılmalı, hiçbir kesim işlemi sırasında kullanılmamalıdır.**
  8. **Kullanmadan önce bıçakta çatlak ya da hasar olup olmadığını dikkatlice kontrol edin. Çatlak veya hasarlı bıçağı hemen değiştirin. Bıçakların üzerinde sertleşen sakız ve odun katranı testereyi yavaşlatır ve geri tepme potansiyelini artırır. Bıçağı ilk önce aletten çıkarıp daha sonra sakız veya katran temizleyici, sıcak su veya gaz yağı ile temizleyerek temiz tutun. Bıçağı temizlemek için asla benzin kullanmayın.**
  9. **Sadece bu alete uygun olan flanşları kullanın.**
  10. **Mil, flanş (özellikle montaj yüzeyi) ve civatalara zarar gelmesine dikkat edin. Bu parçalara zarar gelirse bıçak kırılabilir.**
  11. **Dönüş kaidesinin iyice sabitlendiğinden, kullanımı sırasında hareket etmeyeceğinden emin olun. Testereyi sabit bir çalışma platformuna veya tezgaha sabitlemek için kaide üzerindeki delikleri kullanın. Aleti, operatörün konumu biçimsiz olacak şekilde ASLA kullanmayın.**
  12. **Anahtar açılmadan önce mil kilidinin serbest olduğundan emin olun.**

13. Bıçağın en düşük konumda dönüş kaidesine temas etmediğinden emin olun.
14. Tutamağı elinizle sıkıca tutun. Başlatma ve durma sırasında testerenin hafifçe yukarı veya aşağı hareket ettiğini unutmayın.
15. Anahtar açılmadan önce bıçağın iş parçasına temas etmediğinden emin olun.
16. Aleti iş parçası üzerinde kullanmadan önce bir müddet çalıştırın. İyi takılmamış veya tam dengelenmemiş bir bıçağın belirtileri olan vibrasyon ya da sallanma olup olmadığına bakın.
17. Anormal bir durum fark ederseniz kullanımı derhal durdurun.
18. Tetiği "Açık" konumda kilitlemeye çalışmayın.
19. Daima bu kılavuzda tavsiye edilen aksesuarları kullanın. Aşındırıcı disk gibi uygun olmayan aksesuarların kullanımı yaralanmaya sebep olabilir.
20. Bazı malzemeler zehirli olabilecek kimyasal maddeler içerir. Tozun solunmasını ve cilde temas etmesini önlemek için dikkatli olun. Malzeme tedarikçisinin güvenlik bilgilerini izleyin.

#### Lazer için ek güvenlik kuralları

1. LAZER RADYASYONU, IŞINA BAKMAYIN VEYA OPTİK ALETLERLE DOĞRUDAN İZLEMİYİN, SINIF 2M LAZERLİ ÜRÜN.

## BU TALİMATLARI MUHAFAZA EDİNİZ.

**⚠UYARI:** Ürünü kullanırken (defalarca kullanınca kazanılan) rahatlık ve tanıdıklık duygusunun ilgili ürünün güvenlik kurallarına sıkı sıkıya bağlı kalmanızı yerine geçmesine İZİN VERMEYİN. YANLIŞ KULLANIM veya bu kullanma kılavuzunda belirtilen emniyet kurallarına uymama ciddi yaralanmaya neden olabilir.

## Batarya kartuşu hakkında önemli güvenlik talimatları

1. Batarya kartuşunu kullanmadan önce, tüm talimatları ve (1) batarya kartuşu, (2) batarya ve (3) ürün üzerindeki tüm uyarı işaretlerini okuyun.
2. Batarya kartuşunu parçalarına ayırmayın veya kurcalamayın. Yangın, aşırı ısı veya patlamaya neden olabilir.
3. Çalışma süresi aşırı derecede kısalmışsa kullanmayı derhal bırakın. Aşırı ısınma, yanma riski hatta patlamaya neden olabilir.
4. Gözünüze elektrolit kaçarsa, gözlerinizi temiz suyla durulayın ve hemen tıbbi yardım alın. Görme kaybına yol açabilir.
5. Batarya kartuşuna kısa devre yaptırmayın:
  - (1) Terminallere herhangi bir iletken madde değdirmeyin.
  - (2) Batarya kartuşunu çiviler, madeni paralar, vb. gibi başka metal nesnelere aynı kaba koymaktan kaçının.
  - (3) Batarya kartuşunu yağmura ya da suya maruz bırakmayın.

Kısa devre, büyük bir akım akışına, aşırı ısınmaya, olası yanıklara hatta bataryanın bozulmasına yol açabilir.
6. Aleti ve batarya kartuşunu sıcaklığın 50°C ya da daha yükseğe ulaştığı yerlerde saklamayın ve kullanmayın.
7. Aşırı derecede hasar görmüş ya da tamamen kullanılamaz durumda olsa bile batarya kartuşunu yakmayın. Batarya kartuşu ateşe atılırsa patlayabilir.
8. Batarya kartuşunu çivilemeyin, kesmeyin, ezmeyin, fırlatmayın, düşürmeyin ya da batarya kartuşuna sert bir nesne ile vurmayın. Bu eylemler yangın, aşırı ısı veya patlamaya neden olabilir.
9. Hasarlı bataryayı kullanmayın.
10. Aletin içerdiği lityum-iyon bataryalar Tehlikeli Eşyalar Yönetmeliğinin gereksinimlerine tabidir. Ticari nakliye işlemleri için, örneğin üçüncü taraflar, nakliye acenteleri tarafından yapılan nakliyelerde, paketleme ve etiketleme gereksinimlerine uyulmalıdır. Nakliyesi yapılacak ürünün hazırlanması için, tehlikeli maddeler konusunda uzman bir kişiye danışın. Lütfen muhtemelen daha ayrıntılı olan ulusal yönetmeliklere de uyun. Açık kontakları bantlayın ya da maskeleyin ve bataryayı paketin içinde hareket etmeyecek şekilde paketleyin.
11. Batarya kartuşunu bertaraf ederken aletten çıkarın ve güvenli bir yerde bertaraf edin. Bataryanın bertaraf edilmesi ile ilgili yerel düzenlemelere uyunuz.
12. Bataryaları sadece Makita tarafından belirtilen ürünlerle kullanın. Bataryaların uyumsuz ürünlere takılması; yangın, aşırı ısınma, patlama ya da elektrolit sızıtmasına neden olabilir.
13. Alet uzun süre kullanılmayacaksa batarya aletten çıkarılmalıdır.
14. Kullanma sırasında ve sonrasında batarya kartuşu ısınarak yanıklara veya düşük sıcaklık yanıklarına yol açabilir. Sıcak batarya kartuşları ile işlem yaparken dikkat edin.
15. Yanıklara neden olabilecek kadar sıcak olabileceğinden kullandıktan hemen sonra aletin terminaline dokunmayın.
16. Batarya kartuşunun terminalerine, deliklerine ve kanallarına micir, toz veya toprak girmesine izin vermeyin. Aletin veya batarya kartuşunun ısınmasına, alev almasına, patlamasına ve arızalanmasına neden olarak yanıklara veya yaralanmaya yol açabilir.
17. Alet yüksek gerilim elektrik güç hatlarında kullanımı desteklemediği sürece batarya kartuşunu yüksek gerilim elektrik güç hatlarının yakınında kullanmayın. Aletin veya batarya kartuşunun arızalanmasına veya bozulmasına neden olabilir.
18. Bataryayı çocuklardan uzak tutun.

## BU TALİMATLARI MUHAFAZA EDİNİZ.

**⚠DİKKAT:** Sadece orijinal Makita bataryalarını kullanın. Orijinal olmayan Makita bataryaları ya da üzerine değişiklik yapılmış bataryaların kullanımı bataryanın patlamasına ve sonuç olarak yangın, kişisel yaralanma ve hasara neden olabilir. Ayrıca Makita aleti ve şarj aletinin Makita tarafından sunulan garantisini geçersiz kılar.

## Maksimum batarya ömrü için ipuçları

1. Batarya kartuşunu tamamen boşalmadan önce şarj edin. Aletin gücünün zayıflamaya başladığı fark ettiğinizde aleti durdurun ve batarya kartuşunu şarj edin.
2. Tam dolu bir batarya kartuşunu asla yeniden şarj etmeyin. Aşırı şarj etme bataryanın hizmet ömrünü kısaltır.

3. Batarya kartuşunu 10 °C - 40 °C oda sıcaklığında şarj edin. Sıcak bir batarya kartuşunu şarj etmeden önce soğumasını bekleyin.
4. Batarya kartuşunu kullanırken aletten veya şarj aletinden çıkarın.
5. Uzun bir süre (altı aydan daha fazla) kullanmadığınız durumlarda batarya kartuşunu şarj edin.

## PARÇALARIN TANIMI

### ► Şek.2

1	Güvenlik kilidi düğmesi	2	Anahtar tetik	3	Tutamak	4	Bıçak kılıfı
5	Bıçak	6	Bıçak siperi	7	Alt bariyer	8	Küçük alt bariyer
9	Kaide	10	Dönüş kaidesi	11	Kılavuz bariyeri	12	Dikey vida
13	Toz torbası	14	Toz toplama başlığı	15	Orta kapak	-	-

### ► Şek.3

16	Lamba	17	Batarya kartuşu	18	Altıgen anahtar	19	Serbest bırakma kolu
20	Kol (eğim açısı ayarı için)	21	Kesim tahtası	22	Alt sınır ayar civatası	23	Lamba düğmesi
24	Lazer düğmesi	-	-	-	-	-	-

## KURULUM

### Tezgahın montajı

**⚠UYARI:** Aletin destek yüzeyinin üzerine gelmemesine dikkat edin. Gönye kesme makinasının kesim sırasında destek yüzeyine gelmesi, kontrolün kaybedilmesine ve ciddi kişisel yaralanmalara sebep olabilir.

1. Kaideyi iki civata ile sıkıştırarak düz ve stabil bir yüzeye sabitleyin. Bu, kaymayı ve olası yaralanmaları önlemeye yardımcı olacaktır.

### ► Şek.4: 1. Civata

## İŞLEVSEL NİTELİKLER

**⚠UYARI:** Alet üzerinde ayarlama ya da işleyiş kontrolü yapmadan önce aletin kapalı ve batarya kartuşunun çıkartılmış olduğundan daima emin olun. Aletin kapatılmaması ve batarya kartuşunun çıkarılmaması istemsiz olarak aletin başlatılması sonucu ciddi kişisel yaralanmalara neden olabilir.

### Batarya kartuşunun takılması ve çıkarılması

**⚠DİKKAT:** Batarya kartuşunu takmadan ya da çıkarmadan önce aleti daima kapatın.

**⚠DİKKAT:** Batarya kartuşunu takarken veya çıkarırken aleti ve batarya kartuşunu sıkıca tutun. Aletin ve batarya kartuşunun sıkıca tutulmaması bunların düşürülmesine sebep olabilir ve alet ve batarya kartuşunun zarar görmesine ya da ciddi yaralanmasına yol açabilir.

### ► Şek.5: 1. Kırmızı gösterge 2. Düğme 3. Batarya kartuşu

Batarya kartuşunu çıkarmak için, kartuşun ön tarafındaki düğmeyi kaydırarak kartuşu aletten çıkarın.

Batarya kartuşunu takmak için, batarya kartuşu üzerindeki dili yuvanın çentiği ile hizalayın ve yerine oturtun. Hafif bir tık sesi duyulana kadar itip yerine tam oturmasını sağlayın. Düğmenin üst tarafındaki kırmızı gösterge görünüyorsa tam yerine kilitlenmemiş demektir.

**⚠️ DİKKAT:** Batarya kartuşunu daima kırmızı gösterge görünmeyecek şekilde tam olarak takın. Yerine tam oturmazsa, aletten yanlışlıkla düşebilir, sizin ya da çevrenizdeki kişilerin yaralanmasına neden olabilir.

**⚠️ DİKKAT:** Batarya kartuşunu zorlayarak takmayın. Kartuş kolay bir şekilde kaymıyorsa doğru yerleştirilmemiş demektir.


## Alet/batarya koruma sistemi

Bu alet bir alet/batarya koruma sistemi ile donatılmıştır. Bu sistem motora giden gücü otomatik olarak keserek uzun alet ve batarya ömrü sağlar. Alet veya batarya için aşağıdaki durumlardan biri söz konusu olduğunda aletin işleyişi otomatik olarak durur:

### Aşırı yük koruması

Alet, anormal derecede yüksek akım çekmesine neden olacak şekilde kullanıldığında, alet hiçbir belirti vermeden otomatik olarak durur. Bu durumda, aleti kapatın ve aletin aşırı yüklenmesine neden olan uygulamayı durdurun. Daha sonra aleti yeniden başlaması için çalıştırın.

### Aşırı ısınma koruması

<input type="checkbox"/> Açık	<input type="checkbox"/> Yanıp sönüyor
	

Alet aşırı ısındığında otomatik olarak durur ve batarya göstergesi yaklaşık 60 saniye yanıp söner. Bu durumda, yeniden çalıştırmadan önce aletin soğumasını bekleyin.

### Aşırı deşarj koruması

Batarya kapasitesi düştüğünde, alet otomatik olarak durur. Anahtarlar devredeyken bile ürün çalışmıyorsa, bataryaları aletten çıkarıp şarj edin.

## Koruma sisteminin kilitlemesini iptal etme

Koruma sistemi art arda devreye girerse alet kilitletir ve batarya göstergesi yanıp söner.




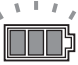
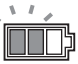
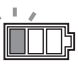
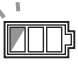
<input checked="" type="checkbox"/> Yanıp sönüyor


Bu durumda, düğmeyi kapatın ve koruma sisteminin devreye sokan nedeni ortadan kaldırın, daha sonra düğmeyi yeniden açın. Düğme yeniden açıldıktan sonra alet çalışmazsa batarya kartuşunu çıkarın ve şarj edin.

## Kalan batarya kapasitesinin gösterilmesi

► **Şek.6:** 1. Batarya göstergesi

Anahtar tetiği çektiğinizde batarya göstergesi kalan batarya kapasitesini gösterir.












Batarya göstergesi durumu			Kalan pil kapasitesi
 Açık	 Kapalı	 Yanıp sönüyor	
			%50 ila %100
			%20 ila %50
			%0 ila %20
			Bataryayı şarj edin

## Kalan batarya kapasitesinin gösterilmesi

**Sadece göstergeli batarya kartuşları için**

► **Şek.7:** 1. Gösterge lambaları 2. Kontrol düğmesi

Kalan batarya kapasitesini göstermesi için batarya kartuşu üzerindeki kontrol düğmesine basın. Gösterge lambaları birkaç saniye yanar.



Gösterge lambaları			Kalan kapasite
 Yanıyor	 Kapalı	 Yanıp sönüyor	
			%75 ila %100
			%50 ila %75
			%25 ila %50
			%0 ila %25
			Bataryayı şarj edin.
			Batarya arızalanmış olabilir.

**NOT:** Kullanım koşullarına ve ortam sıcaklığına bağlı olarak, gösterilen değer gerçek kapasiteden biraz farklılık gösterebilir.

**NOT:** İlk (en soldaki) gösterge lambası, batarya koruma sistemi çalıştığında yanıp söner.

## Otomatik hız deęiřtirme fonksiyonu

► **řek.8:** 1. Mod gstergesi

Mod gstergesi durumu	alıřma modu
	Yksek hız modu
	Yksek tork modu

Bu aletin bir “yksek hız modu” bir de “yksek tork modu” bulunur. İř ykne baęlı olarak alıřma modu otomatik olarak deęiřir. alıřma sırasında mod gstergesinin iřıkları yandıęı zaman, alet yksek tork modundadır.

## Durdurucu pimi

**▲ DİKKAT:** Durdurucu pimi serbest bırakırken daima tutamaęı tutun. Aksi takdirde kol sıçrar ve kiřisel yaralanmalara neden olabilir.

Durdurucu pimi serbest bırakmak iin, tutamaęı hafife ařaęı doęru bastırın ve ardından durdurucu pimi ekin.

► **řek.9:** 1. Durdurucu pimi

## Bıak siperi

**▲ UYARI:** Bıak siperini veya siperle baęlı olan yayı asla devre dıřı bırakmayın ve ıkarmayın. Siperin devre dıřı bırakılması sonucu aıkta kalan bıak kullanımı sırasında ciddi kiřisel yaralanmalara neden olabilir.

**▲ UYARI:** Bıak siperi ya da yayı hasarlı, arızalı ya da ıkmiř ise aleti asla kullanmayın. Hasarlı, arızalı ya da ıkmiř bir siperle aletin kullanılması ciddi kiřisel yaralanmalara neden olabilir.

**▲ DİKKAT:** Gvenli alıřma iin, bıak siperini daima iyi durumda muhafaza edin. Bıak siperinin iřleyiřinde herhangi bir dzensizlik olması durumunda kullanımı derhal durdurun. Siperin yaylı geri dnř hareketini kontrol edin.

► **řek.10:** 1. Bıak siperi

Kolu indirirken, bıak siperi otomatik olarak kalkar. Siper yaylı olduęu iin kesim tamamlanıp kol kaldırıldıęında orijinal konumuna dner.

### Temizleme

► **řek.11:** 1. Bıak siperi

řeffaf bıak siperi kirlenirse ya da testereden ıkan tozların yapıřması sonucu bıak ya da iř parası grnemez hale gelirse, batarya kartuřunu ıkarın ve siperi nemli bir bezle temizleyin. Plastik siper zerinde czc ya da petrol bazlı temizleyiciler kullanmayın, aksi takdirde siper hasar grebilir.

Temizlemek iin, “Testere bıaęının takılması ve ıkarılması” blmne bařvurarak bıak siperini kaldırın. Temizledikten sonra, bıaęı ve orta kapaęı yerine taktięinizden emin olun ve altıgen soket civatayı sıkılayın.

1. Aletin kapalı ve batarya kartuřunun ıkarılması olduęundan daima emin olun.
2. Orta kapaęı tutarken, altıgen soket civatayı aletle birlikte verilen altıgen anahtarla saatin aksi ynde evirir.

3. Bıak siperini ve orta kapaęı kaldırın.

4. Temizlik tamamlandıęında, orta kapaęı yerine takın ve yukarıdaki iřlemleri tersten uygulayarak altıgen soket civatayı sıkılayın.

**▲ UYARI:** Bıak siperini tutan yayı ıkarmayın. Siper zamanla ařınır ya da UV iřınlara maruz kalma sonucu hasar grrse, yeni bir siper almak iin Makita servisimize bařvurun. **SİPERİ DEVRE Dİřİ BIRAKMAYIN VE IKARMAYIN.**

## Kesim tahtasını konumlandırma

Kesimin ıkıřı tarafında yarılımları azaltmak iin, bu alet dnř tablasında kesim tahtaları ile birlikte sunulmuřtur. Kesim tahtaları testere bıaęı kesim tahtaları ile temas etmeyecek řekilde fabrikada ayarlanmıřtır. Kullanmadan nce, kesim tahtalarını ařaęıdaki gibi ayarlayın:

1. Batarya kartuřunu ıkardıęınızdan emin olun. Ardından, kesim tahtasını sabitleyen tm vidaları (saęda ve solda ikiřer adet) geřetin.

► **řek.12:** 1. Kesim tahtası 2. Vida

2. Kesim tahtaları elle kolayca hareket ettirilebilecek kadar sıkılayın.

3. Kolu tam ařaęıya indirin ve kolu bu pozisyonda kilitlemek iin durdurucu pimi itinir.

4. Kesim tahtalarını, sadece bıaęın diřlerine temas edecek řekilde ayarlayın.

► **řek.13**

► **řek.14:** 1. Testere bıaęı 2. Bıak diřleri 3. Kesim tahtası 4. Sola eęimli kesim 5. Dz kesim

5. Vidaları sıkın (ok fazla sıkmayın).

6. Kesim tahtalarını ayarladıktan sonra durdurucu pimi serbest bırakıp kolu kaldırın. Ardından tm vidaları iyice sıkın.

**NEMLİ NOT:** Eęim aısını ayarladıktan sonra kesim tahtalarının doęru bir řekilde ayarlandıęından emin olun. Kesim tahtalarının doęru bir řekilde ayarlanması; iř parasının dzgn bir řekilde desteklenmesine ve iř parasının ařınmasına en aza indirgenmesine yardımcı olur.

## Maksimum kesme kapasitesinin aęlanması

Bu alet fabrikada 165 mm testere bıaęı iin maksimum kesme kapasitesi sunacak řekilde ayarlanmıřtır.

Yeni bir bıak takarken, bıaęın alt limit pozisyonunu kontrol edin ve gerekirse, ařaęıdaki gibi ayarlayın:

1. Batarya kartuřunu ıkarın. Tutamaęı tamamen indirin.

2. Alt sınır ayar civatasını evirmek iin altıgen anahtar kullanarak testere bıaęı kılavuz bariyeri ile dnř kaidesinin n yznn keřiřtięi noktanın altından hafife uzanana kadar evirin.

► **řek.15:** 1. Ayar civatası

► **řek.16:** 1. Kılavuz bariyeri



3. Kolu sürekli aşağıda tutup bıçağın alt kaidenin herhangi bir parçasına dokunmadığına emin olmak için bıçağı elle döndürün. Gerekirse yeniden hafifçe ayarlayın.

**⚠UYARI:** Yeni bir bıçak taktıktan sonra ve batarya kartuşu takılmadan önce, kol tam olarak aşağı indirildiğinde bıçağın alt kaidenin herhangi bir parçasına dokunmadığına emin olun. Bıçak kaide ile temas ederse geri tepmeye neden olabilir ve ciddi kişisel yaralanmalara yol açabilir.

► Şek.17

## Alt bariyer

### Ülkeye özgü

Bu alet bir alt bariyer ve küçük alt bariyerler ile donatılmıştır.

## Alt bariyer

**⚠UYARI:** Eğimli kesim yaparken her zaman alt bariyeri çıkarın. Aksi takdirde ciddi şekilde yaralanmaya sebep olabilir.

► Şek.18: 1. Alt bariyer

Eğimli kesim dışında kesim yaparken iş parçasını desteklemek için alt bariyeri kullanın.

## Küçük alt bariyer

**⚠DİKKAT:** Sağa eğimli kesim yaparken küçük alt bariyerleri katlayın. Aksi takdirde, bunlar bıçağa ya da aletin bir parçasına temas edebilir ve operatörün ciddi şekilde yaralanmasına neden olabilir.

► Şek.19: 1. Küçük alt bariyer 2. Ölçek

Dikey kesim veya sola eğimli kesim yaparken iş parçasını desteklemek için bunları yukarı doğru çevirin. Kılavuz bariyeri, 10 mm aralıklı bir ölçüğe sahiptir.

## Gönye açısının ayarlanması

► Şek.20: 1. Sabitleme vidası 2. Dönüş kaidesi 3. Gönye ölçeği 4. İşaretçi

1. Sabitleme vidasını saatin aksi yönünde çevirerek gevşetin.
2. Dönüş kaidesinin açısını ayarlayın. İşaretçiyi ve gönye ölçeğini rehber olarak kullanın.
3. Sabitleme vidasını saat yönünde iyice sıkın.

**⚠DİKKAT:** Gönye açısını değiştirdikten sonra, sabitleme vidasını iyice sıkarak dönüş kaidesini sabitleyin.

**ÖNEMLİ NOT:** Dönüş kaidesini çevirirken, kolu tam olarak yukarı kaldırdığınızdan emin olun.

## Eğim açısının ayarlanması

Eğim açısını ayarlamak için, aletin arkasındaki kolu aşağı doğru çevirin.

► Şek.21: 1. Kol

Bıçağı sola doğru eğmek için, tutamağı tutarak testere kafasını eğin. Eğim ölçeğini ve işaretçiyi rehber olarak kullanın. Ardından, testere kafasını sabitlemek için kolu yukarı doğru iyice çevirin.

► Şek.22: 1. İşaretçi 2. Eğim ölçeği

Bıçağı sağa doğru eğmek için, tutamağı tutarak testere kafasını hafifçe sola doğru eğin ve serbest bırakma düğmesine basın. Serbest bırakma düğmesine basarak testere bıçağını sağa doğru eğin. Testere kafasını sabitlemek için kolu yukarı doğru iyice çevirin.

► Şek.23: 1. Serbest bırakma düğmesi

**⚠DİKKAT:** Eğim açısını değiştirdikten sonra, kolu yukarı doğru iyice çevirerek testere kafasını mutlaka sabitleyin.

**ÖNEMLİ NOT:** Testere bıçağını eğerken kolun tam olarak yukarı kalkmış olduğundan emin olun.

**ÖNEMLİ NOT:** Eğim açıları değiştirirken, “Kesim tahtalarını konumlandırma” bölümünde açıklandığı şekilde kesim tahtalarını konumlandırdığınızdan emin olun.

## 46° eğim açısı ayarı

1. Kolu gevşetin ve bıçağı sola veya sağa doğru sonuna kadar eğin.

► Şek.24: 1. Kol

2. Bıçağı sola doğru eğmek için, tutamağı tutarak testere kafasını hafifçe sağa doğru eğin ve daha sonra serbest bırakma kolunu ok yönünde hareket ettirin. Eğim açısı, serbest bırakma kolunu hareket ettirirken testere kafasını eğerek 45° ile 46° arasında ayarlanabilir.

Bıçağı sağa doğru eğmek için, tutamağı tutarak testere kafasını hafifçe sola doğru eğin ve daha sonra serbest bırakma kolunu ok yönünde hareket ettirin. Eğim açısı, serbest bırakma kolunu hareket ettirirken testere kafasını eğerek 45° ile 46° arasında ayarlanabilir.

► Şek.25: 1. Kol 2. Serbest bırakma kolu

3. Testere kafasını sabitlemek için kolu yukarı doğru iyice çevirin.

## Kol konumunun ayarlanması

Kol zaman geçtikçe sıklılığını kaybederse, kolun konumunu değiştirin. Kol 30°'lik açılarla ayarlanabilir. Kolu tutan vidayı gevşetin ve çıkarın. Kolu çıkarın ve yatayın hafifçe üstüne bakacak şekilde yeniden takın. Ardından kolu vida ile iyice sıkın.

► Şek.26: 1. Kol 2. Vida

## Anahtar işlemleri

**⚠UYARI:** Batarya kartuşunu alete takmadan önce, anahtar tetiğinin düzgün çalıştığından ve bırakıldığında "OFF" (KAPALI) pozisyona döndüğünden emin olun. Anahtarı düzgün bir şekilde çalışmayan bir aletle işlem yapmak kontrolün kaybedilmesine ve ciddi kişisel yaralanmalara neden olabilir.

**⚠UYARI:** Anahtar tetiği tam olarak çalışmayan bir aleti ASLA kullanmayın. Anahtar çalışmayan bir alet SON DERECE TEHLİKELİ'dir ve kullanıma devam edilmeden önce onarılmalıdır, aksi takdirde ciddi kişisel yaralanmalara yol açabilir.

**⚠UYARI:** Güvenliğiniz için, bu alet istem dışı başlatmayı önlemek için bir güvenlik kilidi ile donatılmıştır. Güvenlik kilidi düğmesine basmadan sadece anahtar tetik çekildiğinde çalışan bir aleti ASLA kullanmayın. Tamir edilmesi gereken bir anahtar, istem dışı çalışmaya ve ciddi kişisel yaralanmalara neden olabilir. Daha fazla kullanmadan ÖNCE tamir ettirmek için aleti bir Makita servisine götürün.

**⚠UYARI:** ASLA güvenlik kilidini bantlayarak ya da başka bir yöntemle devre dışı bırakmaya çalışmayın. Güvenlik kilidi devre dışı bırakılmış bir anahtar, istem dışı çalışmaya ve ciddi kişisel yaralanmalara neden olabilir.

**ÖNEMLİ NOT:** Güvenlik kilidi düğmesine basmadan anahtar tetiği sıkıca çekmeyin. Bu, anahtarın kırılmasına neden olabilir.

Anahtar tetiğinin kazara çekilmesini önlemek için, bir güvenlik kilidi düğmesi sunulmuştur. Aleti başlatmak için güvenlik kilidi düğmesine bastırın ve anahtar tetiği çekin. Durdurmak için anahtar tetiği bırakın.

► **Şek.27:** 1. Güvenlik kilidi düğmesi 2. Asma kilit deliği 3. Anahtar tetik

## Lambanın yakılması

**⚠DİKKAT:** Bu lamba yağmur geçirmez değildir. Lambayı suda yıkamayın veya yağmur ya da ıslak alanda kullanmayın. Aksi takdirde elektrik çarpmasına ve dumana neden olabilir.

**⚠DİKKAT:** Yanarken veya kapatıldıktan hemen sonra çok sıcak olduğundan lambanın lensine dokunmayın. İnsan vücudunda yanığa neden olabilir.

**⚠DİKKAT:** Lambaya hasar vermemesi veya kullanım ömrünü kısaltmaması için lambayı darbeye maruz bırakmayın.

**⚠DİKKAT:** Lambanın ışınlarını gözlerinize sürekli doğrultmayın. Gözlerinizin incinmesine neden olabilir.

**⚠DİKKAT:** Yanarken lambayı kıyafetler, karton, mukavva veya benzeri cisimlerle örtmeyin, yanığına veya parlamaya neden olabilir.

**⚠DİKKAT:** Işığa bakmayın ya da ışık kaynağını doğrudan görmeyin.

Lambayı açmak için düğmenin üst kısmına (I) basın. Lambayı kapatmak için düğmenin alt kısmına (O) basın.

► **Şek.28:** 1. Lamba 2. Lamba düğmesi

**NOT:** Lamba lensini temizlemek için kuru bir bez kullanın. Aydınlatmayı azaltacağı için lamba lensinin çizilmemesine dikkat edin.

**NOT:** Düğmenin açılması batarya gücünü tükettiğinden düğmeyi mutlaka kapatın.

## Lazer ışını işlemi

**⚠DİKKAT:** Lazer ışınına asla bakmayın. Direkt lazer ışını gözlerinize zarar verebilir.

Lazer ışını açmak için düğmenin üst kısmına (I) basın. Lazer ışını kapatmak için düğmenin alt kısmına (O) basın.

► **Şek.29:** 1. Lazer düğmesi

**NOT:** Düğmenin açılması batarya gücünü tükettiğinden düğmeyi mutlaka kapatın.

Ayar vidası aşağıdaki gibi çevrilerak lazer çizgisi daire testere bıçağının soluna veya sağına kaydırılabilir.

► **Şek.30:** 1. Ayar vidası

1. Ayar vidasını saatin aksi yönünde çevirerek gevşetin.
2. Ayar vidası gevşek durumda ayar vidasını sağına veya sola sonuna kadar kaydırın.
3. Ayar vidasını, kaymanın durduğu konumda iyice sıkın.

**NOT:** Lazer çizgisi fabrikada, daire testere bıçağının yan yüzeyinden (kesim konumu) 1 mm dahilinde konumlanacak şekilde ayarlanmıştır.

**NOT:** Lazer ışını doğrudan güneş ışığı nedeniyle kısık gözükür veya zor görünürse çalışma alanını daha az doğrudan güneş ışık gören bir yere taşıyın.

## Lazer çizgisinin hizalanması

İş parçanızın üzerindeki kesim çizgisini lazer çizgisi ile hizalayın.

► **Şek.31**

- A) İş parçasının sol tarafında doğru boyut elde etmek isterseniz lazer çizgisini daire testere bıçağının soluna kaydırın.  
B) İş parçasının sağ tarafında doğru boyut elde etmek isterseniz lazer çizgisini daire testere bıçağının sağına kaydırın.

## MONTAJ

**⚠UYARI:** Alet üzerinde çalışmadan önce aletin kapalı ve batarya kartuşunun çıkartılmış olduğundan daima emin olun. Aletin kapatılmaması ve batarya kartuşunun çıkarılmaması ciddi kişisel yaralanmalara neden olabilir.

## Altıgen anahtarın saklanması

Altıgen anahtar şekilde gösterildiği gibi muhafaza edilir. Altıgen anahtar gerektiğinde, anahtar tutucudan çekilip çıkarılabilir.

Altıgen anahtar kullanıldıktan sonra anahtar tutucuya konarak saklanabilir.

► **Şek.32:** 1. Anahtar tutucu 2. Altıgen anahtar

## Testere bıçağının takılması ve çıkarılması

**⚠UYARI:** Bıçağı takmadan ya da çıkarmadan önce aletin kapalı ve batarya kartuşunun çıkartılmış olduğundan daima emin olun. Aletin istem dışı olarak başlatılması ciddi kişisel yaralanmalara neden olabilir.

**⚠DİKKAT:** Bıçağı takmak ve çıkarmak için sadece Makita marka altıgen anahtarı kullanın. Aksi takdirde altıgen soket civata aşırı derecede ya da yetersiz sıkılabilir. Bu da yaralanmalara yol açabilir.

Bıçağı çıkarmak için, aşağıdaki adımları gerçekleştirin:

1. Sabitleme pimi bırakın ve daha sonra sabitleme pimi içeri iterek tutamağı kalkık konumda kilitleyin.  
► **Şek.33:** 1. Durdurucu pim
2. Orta kapağı tutan altıgen soket civatayı saatin aksini yönde çevirerek gevşetmek için altıgen anahtarını kullanın. Ardından, bıçak siperini ve orta kapağı kaldırın.  
► **Şek.34:** 1. Orta kapak 2. Altıgen soket civata 3. Altıgen anahtar 4. Bıçak siperi
3. İği kilitlemek için şaft kilidine bastırın ve altıgen soket civatayı saat yönünde çevirerek gevşetmek için altıgen anahtarı kullanın. Ardından iğe ait altıgen soket civatayı, dış flanş ve bıçağı çıkarın.  
► **Şek.35:** 1. Mil kilidi 2. Altıgen soket civata 3. Dış flanş
4. İç flanş çıkartılırsa, bıçak montaj parçası bıçağa bakacak şekilde için üzerine takın. Flanş yanlış bir şekilde takılırsa makineye sürtünür.  
► **Şek.36:** 1. Dış flanş 2. Testere bıçağı 3. İç flanş 4. Altıgen soket civata (sol) 5. İğ 6. Bıçak montaj parçası

Bıçağı takmak için, aşağıdaki adımları izleyin:

1. Bıçağı dikkatli bir şekilde iç flanşın üzerine monte edin. Bıçağın yüzeyindeki okun yönünün bıçak kılıfı üzerindeki okun yönü ile aynı olduğundan emin olun.  
► **Şek.37:** 1. Testere bıçağı 2. Ok
2. Dış flanş ve altıgen soket civatayı takın ve şaft kilidine basılı tutarken iğe ait altıgen soket civatayı (sol tarafta) saatin aksini yönde çevirerek sıkılmak için altıgen anahtarı kullanın.
3. Bıçak siperini ve orta kapağı orijinal yerlerine takın. Ardından orta kapağı sabitlemek için orta kapak-taki altıgen soket civatayı saat yönünde çevirerek sıkılayın.
4. Durdurucu pimi çekerek tutamağı kaldırılmış konumdan çıkarın. Bıçak siperinin düzgün bir şekilde hareket ettiğinden emin olmak için tutamağı indirin.
5. Kesim yapmadan önce şaft kilidinin iği serbest bıraktığından emin olun.

## İç flanşlı aletler 15,88 mm delik çaplı bir testere bıçağı için

### Ülkeye özgü

İç flanşlı girintili tarafı montaj şaftına doğru bakacak şekilde monte edin ve ardından sunta kesme bıçağının (gerekirse bilezik takılı olarak), dış flanş ve altıgen civatayı takın.

### Bileziksiz aletler için

- **Şek.38:** 1. Dış flanş 2. Testere bıçağı 3. İç flanş 4. Altıgen soket civata (sol) 5. İğ

### Bilezikli aletler için

- **Şek.39:** 1. Dış flanş 2. Testere bıçağı 3. İç flanş 4. Altıgen soket civata (sol) 5. Bilezik 6. İğ

**⚠UYARI:** Bıçağı mile monte etmek için bilezik gerekirse, kullanmak istediğiniz bıçağın mil deliği için doğru bileziğinizi ve dış flanşlar arasında takıldığını daima emin olun. Mil deliği için doğru olmayan bileziğin kullanılması bıçağın hatalı montajına neden olarak bıçağın hareket etmesine ve ciddi titreşim yapmasına yol açar, bu da çalışma sırasında muhtemel bir kontrol kaybına ve ciddi kişisel yaralanmalara sebep olabilir.

## 20 mm ya da 15,88 mm delik çaplı testere bıçağı dışındaki iç flanşlı aletler için

### Ülkeye özgü

İç flanşın bir tarafında belli bir çapta bıçak montaj parçası, diğer tarafında ise farklı bir çapta bıçak montaj parçası mevcuttur. Bıçak montaj parçasının testere bıçağı deliğine tam oturması için doğru tarafı seçin.

- **Şek.40:** 1. Dış flanş 2. Testere bıçağı 3. İç flanş 4. Altıgen soket civata (sol) 5. İğ 6. Bıçak montaj parçası

**⚠DİKKAT:** İç flanş üzerindeki dışarı bakan "a" bıçak montaj parçasının testere bıçağının "a" deliğine tam olarak uyduğundan emin olun. Bıçağın yanlış tarafa takılması tehlikeli titreşimlere neden olabilir.

## Toz torbası

Toz torbası kullanımı, kesim işlemlerinin temiz, toz toplanmanın da kolay bir şekilde yapılmasını sağlar. Toz torbasını toz oluşuna takın.

Toz torbasının yarısı dolduğunda toz torbasını aletten ayırın ve bağlama elemanını çekip çıkarın. Toz torbasının içine yapışan parçacıkların da çıkması için torbaya hafifçe vurarak içindekileri boşaltın.

- **Şek.41:** 1. Toz torbası 2. Toz toplama başlığı 3. Bağlama elemanı

**NOT:** Makinenize bir elektrikli süpürge bağlarsanız daha temiz çalışabilirsiniz.

- **Şek.42**

## İş parçasının sabitlemesi

**⚠UYARI:** İş parçasını daima mengene ile sabitlemek oldukça önemlidir. Aksi takdirde ciddi yaralanmalar, alet ve/veya iş parçası üzerinde hasar oluşabilir.

**⚠UYARI:** Testerenin destek kaidesinden daha uzun bir iş parçasını keserken, destek kaidesinin dışında kalan kısmın tamamının desteklendiğinden ve malzemeyi düz tutmak ile aynı yüksekliğin korunduğundan emin olun. İş parçasını doğru şekilde desteklenmesi bıçağın sıkışmasının ve yaralanmayla sonuçlanabilecek olası geri tepmelerin önlenmesine yardımcı olur. İş parçasını sabitlemek için sadece dikey ve/veya yatay mengene yeterli olmayabilir. İnce malzemeler eğilebilir. Bıçağın sıkışmasını ve olası bir GERİ TEPMEYİ önlemek için iş parçasının tüm uzunluğu boyunca desteklendiğinden emin olun.

► **Şek.43:** 1. Destek 2. Dönüş kaidesi

## Dikey vida

**⚠UYARI:** Tüm işlemler sırasında iş parçasını dönüş kaidesine ve kılavuz bariyerine vida ile sıkıca sabitleyin. Aksi takdirde malzeme kesim işlemi sırasında hareket ederek bıçağa zarar gelmesine neden olabilir, bu da kontrolün kaybedilmesine ve ciddi kişisel yaralanmalara neden olabilir.

Dikey mengenevi kılavuz bariyerinin sol veya sağ kısmına yerleştirin. Mengene rodunu kılavuz bariyerindeki deliğe yerleştirin ve mengene rodunu sabitlemek için alt vidayı sıkın.

► **Şek.44:** 1. Vidalı kol 2. Mengene topuzu 3. Kılavuz bariyeri 4. Dönüş kaidesi 5. Alt vida 6. Üst vida 7. Mengene rodu

Mengene kolunu iş parçasının kalınlığına ve şekline göre konumlandırın ve üst vidayı sıkarak mengene kolunu sabitleyin. Üst vida kılavuz bariyerine temas ediyorsa üst vidayı, mengene kolunun diğer tarafına takın. Tutamağı tam olarak aşağı indirdiğinizde aletin hiçbir parçasının mengeneyle temas etmediğinden emin olun. Bazı parçalar mengeneyle temas ederse mengenevi yeniden konumlandırın.

İş parçasını kılavuz bariyerine tam olarak bastırın ve kaideyi döndürün. İş parçasını istenen kesim konumunda konumlandırın ve vidalı topuz ile sıkıştırarak sabitleyin.

## Omuz askısının takılması

### İsteğe bağlı aksesuarlar

**⚠DİKKAT:** Aleti çalıştırmadan önce omuz askısını mutlaka çıkarın. Omuz askısı dolanarak yaralanmaya neden olabilir.

**⚠DİKKAT:** Omuz askısının kancalarını alete güvenli bir şekilde taktığınızdan emin olun. Kancalar düzgün takılmazsa çıkararak yaralanmaya neden olabilir.

Omuz askısı aleti taşımak için kullanışlıdır. Omuz askısının kancalarını şekilde gösterildiği gibi alete takın.

► **Şek.45:** 1. Omuz askısı 2. Kanca

## KULLANIM

Bu alet, ahşap ürünlerini kesmek için tasarlanmıştır. Uygun Makita orijinal testere bıçaklarınıza aşağıdaki malzemeler de kesilebilir:

— Alüminyum ürünleri

Kesilecek materyalde kullanılacak doğru dairesel testere bıçakları için web sitemize bakın veya Makita satıcınıza başvurun.

**⚠UYARI:** Anahtar açılmadan önce bıçağın iş parçasına veya başka bir yere temas etmediğinden emin olun. Bıçak iş parçasına temas ederken alet çalıştırılırsa iş parçasında geri tepme ya da ciddi kişisel yaralanmalar oluşabilir.

**⚠UYARI:** Bir kesme işleminden sonra bıçak tam olarak durmadan önce bıçağı kaldırmayın. Boşta dönen bıçağın kalkması ciddi kişisel yaralanmalara ve iş parçasına zarar gelmesine neden olabilir.

**⚠DİKKAT:** Testere kafasını tam aşağı konumdan kontrolsüz bırakmayın. Kontrolsüz testere kafası size vurabilir ve yaralanmaya neden olur.

**ÖNEMLİ NOT:** Kullanımdan önce, durdurucu pimi çekerek tutamağı alt konumdan çıkarın.

**ÖNEMLİ NOT:** Kesim sırasında tutamağa aşırı basınç uygulamayın. Fazla güç kullanılması motorun aşırı yüklenmesine ve/veya kesim etkinliğinin düşmesine neden olabilir. Yumuşak bir kesim ve bıçak hızında önemli bir düşüş yaşanmaması için tutamağa sadece gereken oranda bir güçle aşağı doğru bastırın.

**ÖNEMLİ NOT:** Kesimi gerçekleştirmek için tutamağa hafifçe bastırın. Tutamağa güç kullanılarak basılırsa veya yatay güç uygulanırsa, bıçak titreşebilir ve iş parçasında bir iz (testere izi) bırakabilir, kesimin hassasiyeti zarar görebilir.

## Kalıp kesme (küçük iş parçalarını kesme)

► **Şek.46**

İş parçaları 46 mm yüksekliği ve 92 mm genişliği aşmıyorsa, aşağıdaki yöntemle kesilebilirler.

1. İş parçasını mengene ile sabitleyin.
2. Bıçak hiçbir şeyle temas etmeyecek konumdayken aleti çalıştırın ve bıçağı indirmeden önce tam hıza ulaşmasını bekleyin.
3. İş parçasını kesmek için bıçağı yavaşça en alt konuma indirin.
4. Kesim tamamlandığında, aleti kapatın ve bıçağı en üst konuma döndürmeden önce bıçak tam olarak durana kadar bekleyin.

## Gönye kesme

Gönye açısının ayarlanması kısmına bakın.

## Eğimli kesim

**⚠UYARI:** Bıçağı eğimli bir kesim için ayarladıktan sonra, aleti kullanmadan önce, testere kafasının ve bıçağın kesilmek istenen alan boyunca serbest bir şekilde hareket ettiğinden emin olun. Kesme işlemi sırasında testere kafasının ya da bıçağın çalışmasının kesintiye uğraması geri tepmeye ve ciddi yaralanmalara neden olabilir.

**⚠UYARI:** Eğimli bir kesim yaparken ellerinizi bıçağın izlediği yoldan uzakta tutun. Bıçağın açısı operatörün bıçağın kesim işlemi sırasında izleyeceği yol konusunda yanlışmasına yol açabilir ve bıçakla temas ciddi kişisel yaralanmalara neden olur.

**⚠UYARI:** Bıçak tamamen durmadan yukarı kaldırılmamalıdır. Eğimli bir kesim sırasında kesilen parça bıçağın önüne gelebilir. Bıçak dönerken yukarı kaldırılırsa kesilen parça bıçaktan çıkabilir ve malzemenin parçalanarak ciddi yaralanmalara yol açmasına neden olabilir.

**⚠UYARI:** Eğimli kesim yaparken her zaman alt bariyeri çıkarın. Aksi takdirde ciddi şekilde yaralanmaya sebep olabilir.

### ► Şek.47

1. Eğim açısını ayarlamak için kolu gevşetin ve testere bıçağını eğin (Önceki sayfalarda yer verilen "Gönye açısının ayarlanması" bölümüne bakın). Seçili eğim açısını güvenli bir şekilde sabitlemek için kolu iyice yeniden sıkıladığınızdan emin olun.
2. İş parçasını bir vida ile sabitleyin.
3. Bıçak hiçbir şeyle temas etmeyecek konumdayken aleti çalıştırın ve bıçağın tam hızına ulaşmasını bekleyin.
4. İş parçasını kesmek için bıçağa paralel bir şekilde basınç uygularken tutamağı hafifçe indirerek tamamen aşağı konuma getirin.
5. Kesim tamamlandığında, aleti kapatın ve **bıçağı en üst konuma döndürmeden önce** bıçak tam olarak durana kadar bekleyin.

**ÖNEMLİ NOT:** Tutamağa bastırırken bıçak ile paralel bir basınç uygulayın. Dönüş kaidesine dik olarak basınç uygulanırsa ya da bir kesim sırasında basıncın yönü değiştirilirse, kesimin hassasiyeti zarar görür.

## Birleşik kesme

Birleşik kesme, bir iş parçası üzerinde gönye açısı ile kesme yapılırken aynı anda eğimli açılı yapılması işlemidir. Birleşik kesme, tabloda gösterilen açılarda gerçekleştirilebilir.

Gönye açısı	Eğim açısı
Sol ve sağ 45°	Sol ve sağ 0° - 45°
Sağ 52°	Sol 20° - Sağ 45°
Sol 52°	Sol 45° - Sağ 20°

Birleşik kesim yaparken, "Kalıp kesme", "Gönye kesme" ve "Eğimli kesim" başlıklarında verilen açıklamalara başvurun.

## Alüminyum doğramanın kesilmesi

- **Şek.48:** 1. Vida 2. Ara blok 3. Kılavuz bariyeri 4. Alüminyum doğrama 5. Ara blok

Alüminyum doğramaları sabitlerken, alüminyumun deforme olmasını önlemek için ara blokları veya hurda parçalarını kullanın. Bıçak üzerinde alüminyum malzeme birikmesini önlemek için alüminyum doğramayı keserken bir kesim yağı kullanın.

**⚠DİKKAT:** Asla kalın veya yuvarlak alüminyum doğramaları kesmeye çalışmayın. Kalın alüminyum doğramalar çalışma sırasında gevşeyebilir, yuvarlak alüminyum doğramalar ise bu aletle sıkı bir şekilde sabitlenemeyebilir.

## Aynı uzunlukta yinelenen kesimler yapma

Aynı uzunlukta çok sayıda parça keserken, (200 mm ilâ 330 mm arasında) ayar plakasını (isteğe bağlı aksesuar) kullanın. Ayar plakasını şekilde gösterildiği gibi tutucuya (isteğe bağlı aksesuar) monte edin.

- **Şek.49:** 1. Ayar plakası 2. Tutucu 3. Vida

İş parçasının kesim çizgisini, kesim tahtasındaki çentiğin sağ veya sol tarafı ile hizalayın ve iş parçasını tutarken ayar plakasını iş parçasının ucu ile aynı hizaya getirin. Ardından ayar plakasını vida ile sabitleyin. Ayar plakası kullanılmadığında, vidayı gevşetin ve ayar plakasını kaldırın.

## Aletin taşınması

**⚠UYARI:** Durdurucu pim sadece taşıma ve saklama amacıyla kullanılmalıdır, hiçbir kesim işlemi sırasında asla kullanılmalıdır. Kesim işlemleri sırasında durdurucu pimin kullanılması testere bıçağının beklenmedik şekilde hareket etmesine, bu da geri tepme ya da ciddi kişisel yaralanmalara yol açabilir.

**⚠DİKKAT:** Aleti taşımadan önce hareket eden tüm parçaları sabitleyin. Aletin kısımları taşıma sırasında hareket ederse, kontrolün ya da dengenin kaybedilmesi sonucu ciddi kişisel yaralanmalar yaşanabilir.

1. Batarya kartuşunu çıkarın.
2. Bıçağı 0° şev açısında ve döner tablayı tam sağ gönye açısı konumunda sabitleyin.  
► **Şek.50:** 1. Dönüş kaidesi
3. Tutamağı tam aşağı indirin ve durdurucu pimi iterek alt konumda kilitleyin.
4. Aleti, tutamaktan tutarak taşıyın.  
► **Şek.51**

## BAKIM

**⚠UYARI:** En iyi ve en güvenli performans için bıçağı daima temiz ve keskin olduğundan emin olun. Kır ve/veya kirlili bir bıçakla kesim yapmaya çalışmak, geri tepmeye yol açabilir ya da ciddi kişisel yaralanmalara sonuçlanabilir.

**⚠DİKKAT:** Muayene ya da bakım yapmadan önce aletin kapalı ve batarya kartuşunun çıkartılmış olduğundan daima emin olun.

**ÖNEMLİ NOT:** Benzin, tiner, alkol ve benzeri maddeleri kesinlikle kullanmayın. Renk değişimi, deformasyon veya çatlaklar oluşabilir.

Aleti EMNİYETLİ ve ÇALIŞMAYA HAZIR durumda tutmak için onarımlar, başka her türlü bakım ve ayarlamalar daima Makita yedek parçaları kullanılarak Makita yetkili servis merkezleri veya Fabrikanın Servis Merkezleri tarafından yapılmalıdır.

## Kesim açısının ayarlanması

Bu alet fabrikada dikkatli bir şekilde ayarlanmış ve hizalanmıştır fakat kötü bir şekilde taşımak hizalamayı bozabilir. Aletinizi doğru bir şekilde hizalanmamışsa aşağıdakileri gerçekleştirin:

### Gönye açısı

1. Sabitleme vidasını saatin aksi yönünde çevirerek gevşetin.
2. Dönüş kaidesini, işaretçi gönye ölçeği üzerinde 0°'yi gösterecek şekilde döndürün.  
► **Şek.52:** 1. Sabitleme vidası 2. Dönüş kaidesi 3. Gönye ölçeği 4. İşaretçi
3. Ardından dönüş kaidesini saat yönünde ve saatin aksi yönde çevirerek 0° gönye çentğine oturmasını sağlayın. (İşaretçi 0°'yi göstermiyorsa olduğu gibi bırakın.)
4. Altıgen anahtarları kullanarak kılavuz bariyeri sabitleyen altıgen soket civatalarını gevşetin.  
► **Şek.53:** 1. Kılavuz bariyeri 2. Altıgen soket civata  
► **Şek.54:** 1. Kılavuz bariyeri 2. Altıgen soket civata
5. Tutamağı tam aşağı indirin ve durdurucu pimi iterek alt konumda kilitleyin.
6. Üçgen cetvel, ayarlı gönye vb. yardımıyla kılavuz bariyeri bıçağla dik açı oluşturacak şekilde ayarlayın. Ardından kılavuz bariyer üstündeki altıgen soket civatayı iyice sıkın.  
► **Şek.55:** 1. Kılavuz bariyeri 2. Üçgen cetvel 3. Testere bıçağı
7. Gönye ölçeği üzerindeki işaretçinin 0°'yi gösterdiğinden emin olun. İşaretçi 0°'yi göstermiyorsa, işaretçiyi sabitleyen vidayı gevşetin ve işaretçi 0°'yi gösterecek şekilde işaretçiyi ayarlayın.  
► **Şek.56:** 1. Vida 2. Gönye ölçeği 3. İşaretçi

### Eğim açısı

#### 0° eğim açısı

1. Tutamağı tam aşağı indirin ve durdurucu pimi iterek alt konumda kilitleyin.
2. Aletin arkasındaki kolu gevşetin.
3. Bıçağı sağa doğru döndürmek için testere kafasının sağ tarafındaki 0° eğimli açısı ayar civatasını saatin aksi yönünde iki veya üç tur çevirin.  
► **Şek.57:** 1. Ayar civatası 2. Kolu
4. 0° eğimli açısı ayarlama civatasını, bıçağın yan tarafı dönüş kaidesinin üst yüzeyi ile dik açı oluşturacak şekilde dikkatli bir şekilde saat yönünde döndürün. Üçgen cetvel, ayarlı gönye vb. aletleri kılavuz olarak kullanın. Ardından kolu iyice sıkın.  
► **Şek.58:** 1. Üçgen cetvel 2. Testere bıçağı 3. Dönüş tablasının üst yüzeyi
5. Kol üzerindeki işaretçinin eğim ölçeği üzerinde 0°'yi gösterdiğinden emin olun. İşaretçi 0°'yi göstermiyorsa, işaretçiyi sabitleyen vidayı gevşetin ve işaretçi 0°'yi gösterecek şekilde işaretçiyi ayarlayın.  
► **Şek.59:** 1. Vida 2. İşaretçi 3. Eğim ölçeği

#### 45° eğim açısı

45° eğimli açısı sadece 0° eğimli açısı ayarını yaptıktan sonra kullanabilirsiniz.

1. Kolu gevşetin ve bıçağı tam olarak sola doğru eğin.
2. Kol üzerindeki işaretçinin eğim ölçeği üzerinde 45° açısını gösterdiğinden emin olun. İşaretçi 45°'yi göstermiyorsa, işaretçi 45° açısı gösterene kadar, kolun sağ tarafındaki sola 45° eğimli açısı ayar civatasını çevirin.  
► **Şek.60:** 1. Sağa 45° eğimli açısı ayar civatası 2. İşaretçi 3. Sola 45° eğimli açısı ayar civatası
3. Bıçağı sağa sonuna kadar eğin ve daha sonra sağa 45° eğimli açısı ayar civatasını kullanarak sağ 45° eğim açısını ayarlayın.  
► **Şek.61:** 1. Testere bıçağı 2. Üçgen cetvel

## Lazer çizgisi konumunun ayarlanması

**UYARI:** Lazer çizgisini ayarlarken batarya kartuşu alete takılı olmalıdır. Ayar sırasında aleti açmamak için dikkatli olun. Aletin istem dışı olarak başlatılması ciddi yaralanmalara neden olabilir.

**DİKKAT:** Lazer ışınına doğrudan asla bakmayın. Gözün doğrudan ışığa maruz kalması gözlerinizin ciddi hasar görmesine neden olabilir.

**ÖNEMLİ NOT:** Doğruluk için lazer çizgisinin konumunu düzenli olarak kontrol edin.

**ÖNEMLİ NOT:** Alet üzerindeki etkilerinin farkında olun. Lazer çizgisinin hatalı hizalanmasına neden olabilir veya lazere hasar vererek ömrünün kısalmasına yol açabilir.

**ÖNEMLİ NOT:** Lazer ünitesinin tüm arızaları için aletinizi Makita yetkili servisine tamir ettirin.

Lazer çizgisinin hareketli aralığı her iki taraftaki aralık ayar vidalarıyla belirlenir. Lazer çizgisi konumunu değiştirmek için aşağıdaki işlemleri uygulayın.

1. Batarya kartuşunu çıkarın.
2. İş parçasının üzerine bir kesim çizgisi çizin ve dönüş kaidesinin üzerine yerleştirin. O anda iş parçasını mengene veya benzer bir sabitleme donanımı ile sabitlemeyin.
3. Tutamağı indirin ve kesim çizgisini testere bıçağı ile hizalayın.  
► **Şek.62:** 1. Kesim çizgisi
4. Tutamağı orijinal konumuna döndürün ve iş parçası belirlediğiniz konumdan oynamayacak şekilde iş parçasını dikey mengene ile sabitleyin.  
► **Şek.63:** 1. Mengene
5. Batarya kartuşunu alete takın ve lazer düğmesini açın.
6. Ayar vidasını gevşetin. Lazer çizgisini bıçaktan uzaklaştırmak için aralık ayar vidalarını saatin aksi yönünde çevirin. Lazer çizgisini bıçağa yakınlaştırmak için aralık ayar vidalarını saat yönünde çevirin.

**Lazer çizgisinin bıçağın sol tarafına ayarlanması**

- **Şek.64:** 1. Ayar vidası 2. Aralık ayar vidası 3. Altıgen anahtar 4. Lazer çizgisi 5. Testere bıçağı

**Lazer çizgisinin bıçağın sağ tarafına ayarlanması**

- **Şek.65:** 1. Aralık ayar vidası 2. Altıgen anahtar 3. Lazer çizgisi 4. Testere bıçağı



7. Ayar vidasını, lazer çizgisi kesim çizgisinin üzerine gelecek konuma kaydırın ve sıkın.

**NOT:** Lazer çizgisinin hareketli aralığı, bıçağın yan yüzeyinden 1 mm dahilinde olacak şekilde fabrikada ayarlanmıştır.

### Lazer ışığı lensinin temizlenmesi

Lazer ışığı lensi kirlendiğinden lazer ışığının görülmesi zorlaşır. Lazer ışığı lensini düzenli olarak temizleyin. Batarya kartuşunu çıkarın. Vidayı gevşetin ve lensi dışarı çekin. Lensi nemli yumuşak bir bezle hafifçe silin.

► **Şek.66:** 1. Vida

► **Şek.67:** 1. Lens

**ÖNEMLİ NOT:** Lensi sabitleyen vidayı sökmeyin. Lens dışarı gelmezse vidayı daha fazla gevşeyin.

**ÖNEMLİ NOT:** Lens üzerinde solvent veya petrol bazlı temizlik maddesi kullanmayın.

### Kullanımdan sonra

Kullanımdan sonra, parçacıkları ve alete yapışan tozları nemli bir bez veya benzeri ile temizleyin. "Bıçak siperi" bölümünde anlatılan talimatlar uyarınca bıçak siperini temiz tutun. Paslanmayı önlemek için kızaklı bölümleri makine yağı ile yağlayın.

## İSTEĞE BAĞLI AKSESUARLAR

**UYARI:** Bu el kitabında belirtilen Makita aletiniz ile kullanılmaları için bu aksesuarlar ve ek parçalar tavsiye edilmektedir. Başka aksesuar ve ek parçaların kullanımı ciddi kişisel yaralanmalara yol açabilir.

**UYARI:** Makita aksesuarları ya da ek parçaları yalnızca belirtilmiş olan kullanım amaçlarına uygun olarak kullanın. Bir aksesuarın ya da ek parçanın hatalı kullanımı ciddi kişisel yaralanmalara yol açabilir.

Bu aksesuarlarla ilgili daha fazla bilgiye ihtiyaç duyarsanız bulunduğunuz yerdeki yetkili Makita servisine başvurun.

- Karbid uçlu testere bıçakları
- Tutucu çubuk mekanizması
- Ayar plakası
- Omuz askısı
- Orijinal Makita batarya ve şarj aleti

**NOT:** Listedeki parçaların bazıları alet paketi içerisinde standart aksesuar olarak dahil edilmiş olabilir. Bunlar ülkeden ülkeye farklılık gösterebilir.

Makita Europe N.V.

Jan-Baptist Vinkstraat 2,  
3070 Kortenberg, Belgium

Makita Corporation

3-11-8, Sumiyoshi-cho,  
Anjo, Aichi 446-8502 Japan

www.makita.com

885605B992  
EN, FR, DE, IT, NL,  
ES, PT, DA, EL, TR  
20210909