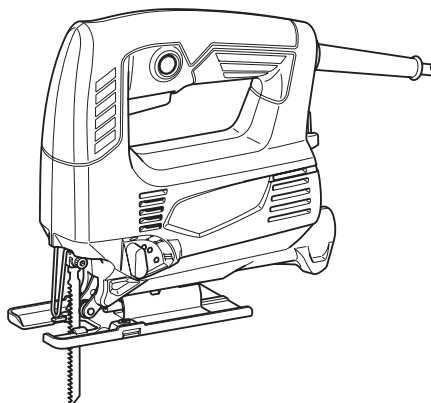




EN	Jig Saw	INSTRUCTION MANUAL	5
FR	Scie Sauteuse	MANUEL D'INSTRUCTIONS	9
DE	Stichsäge	BETRIEBSANLEITUNG	14
IT	Seghetto alternativo	ISTRUZIONI PER L'USO	19
NL	Decoupeerzaag	GEBRUIKSAANWIJZING	24
ES	Sierra Caladora	MANUAL DE INSTRUCCIONES	29
PT	Serra Tico-Tico	MANUAL DE INSTRUÇÕES	34
DA	Stiksav	BRUGSANVISNING	39
EL	Παλινδρομικό πριόνι	ΕΓΧΕΙΡΙΔΙΟ ΟΔΗΓΙΩΝ	43
TR	Dekupaj Testere	KULLANMA KILAVUZU	48

M4301



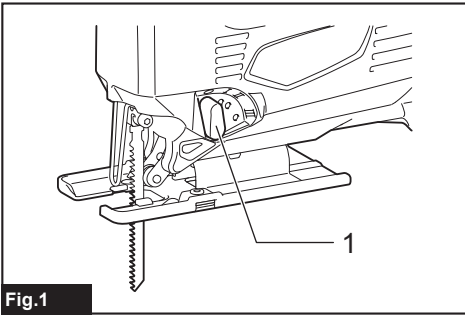


Fig.1

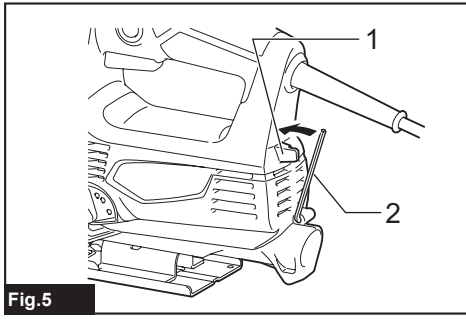


Fig.5

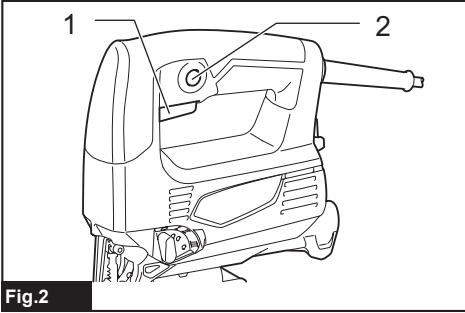


Fig.2

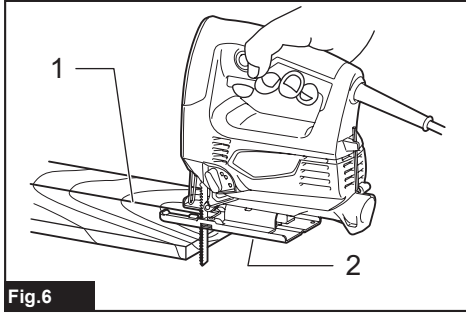


Fig.6

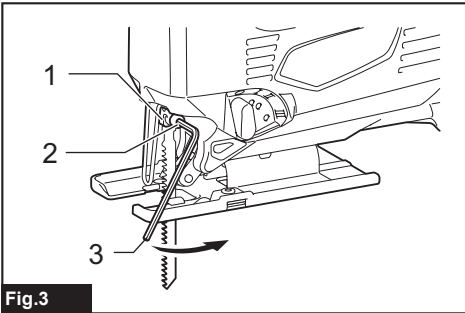


Fig.3

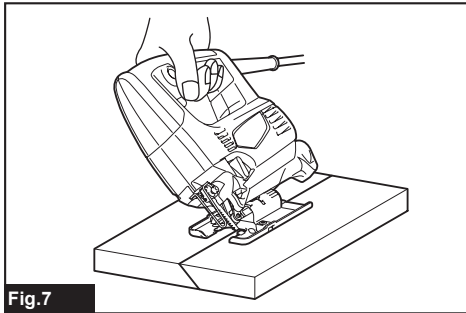


Fig.7

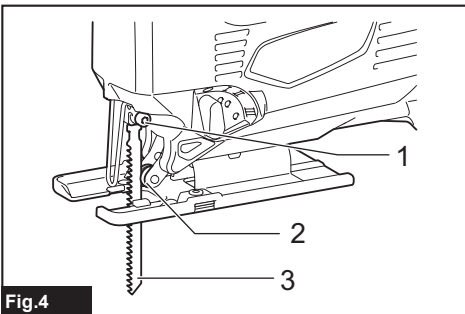


Fig.4

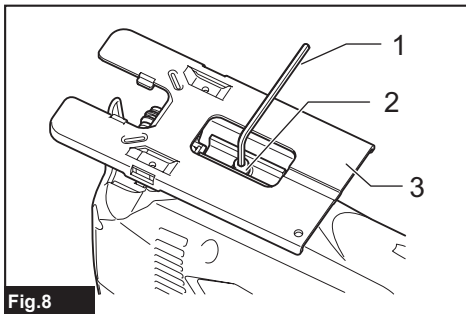


Fig.8

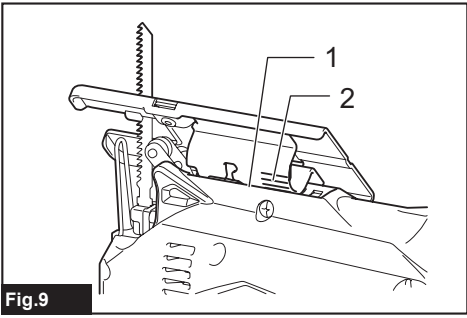


Fig.9

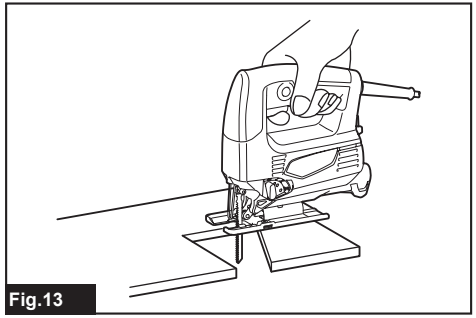


Fig.13

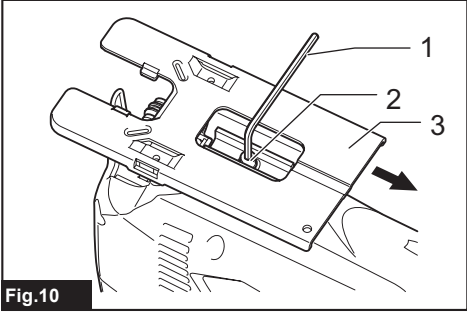


Fig.10

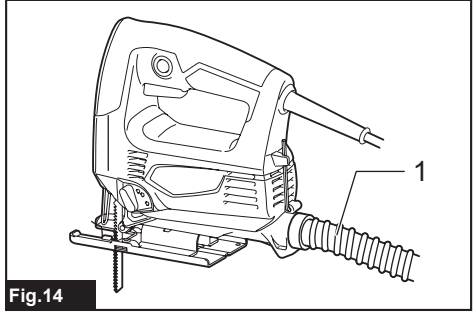


Fig.14

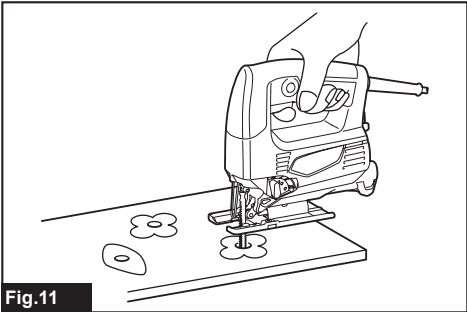


Fig.11

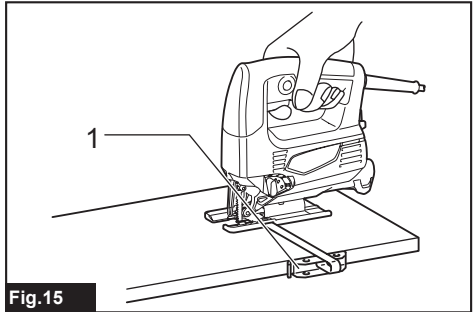


Fig.15

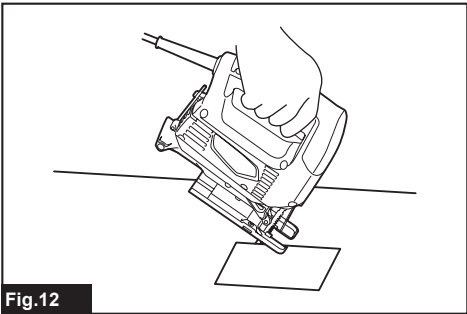


Fig.12

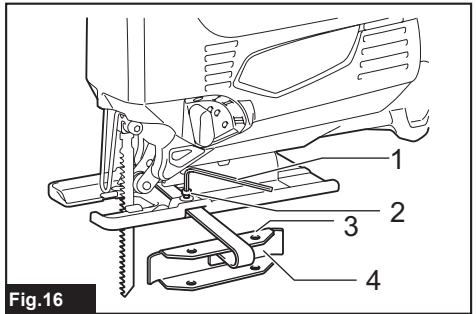
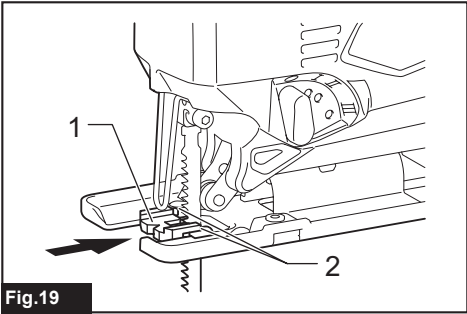
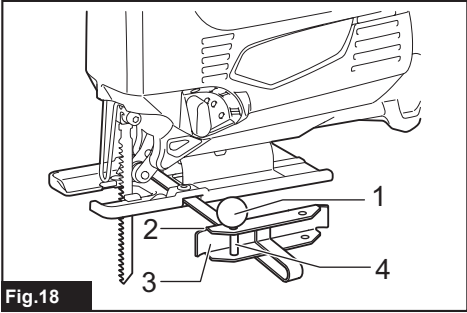
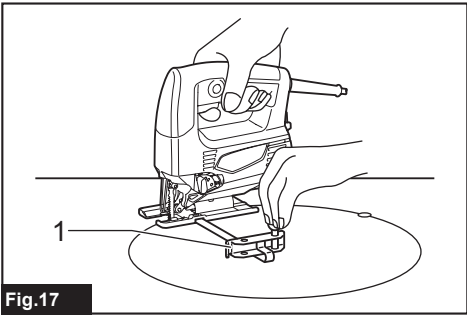


Fig.16



SPECIFICATIONS

Model:		M4301
Length of stroke		18 mm
Blade type		B type
Max. cutting capacities	Wood	65 mm
	Mild steel	6 mm
Strokes per minute (min ⁻¹)		0 - 3,100
Overall length		214 mm
Net weight		1.9 kg
Safety class		▣/II

- Due to our continuing program of research and development, the specifications herein are subject to change without notice.
- Specifications may differ from country to country.
- Weight according to EPTA-Procedure 01/2014

Intended use

The tool is intended for the sawing of wood, plastic and metal materials. As a result of the extensive accessory and saw blade program, the tool can be used for many purposes and is very well suited for curved or circular cuts.

Power supply

The tool should be connected only to a power supply of the same voltage as indicated on the nameplate, and can only be operated on single-phase AC supply. They are double-insulated and can, therefore, also be used from sockets without earth wire.

Noise

The typical A-weighted noise level determined according to EN62841-2-11:

Sound pressure level (L_{pA}) : 82 dB(A)

Sound power level (L_{WA}) : 93 dB (A)

Uncertainty (K) : 3 dB(A)

NOTE: The declared noise emission value(s) has been measured in accordance with a standard test method and may be used for comparing one tool with another.

NOTE: The declared noise emission value(s) may also be used in a preliminary assessment of exposure.

⚠WARNING: Wear ear protection.

⚠WARNING: The noise emission during actual use of the power tool can differ from the declared value(s) depending on the ways in which the tool is used especially what kind of workpiece is processed.

⚠WARNING: Be sure to identify safety measures to protect the operator that are based on an estimation of exposure in the actual conditions of use (taking account of all parts of the operating cycle such as the times when the tool is switched off and when it is running idle in addition to the trigger time).

Vibration

The vibration total value (tri-axial vector sum) determined according to EN62841-2-11:

Work mode: cutting boards

Vibration emission ($a_{h,B}$) : 8.0 m/s²

Uncertainty (K) : 1.5 m/s²

Work mode: cutting sheet metal

Vibration emission ($a_{h,M}$) : 5.0 m/s²

Uncertainty (K) : 1.5 m/s²

NOTE: The declared vibration total value(s) has been measured in accordance with a standard test method and may be used for comparing one tool with another.

NOTE: The declared vibration total value(s) may also be used in a preliminary assessment of exposure.

⚠WARNING: The vibration emission during actual use of the power tool can differ from the declared value(s) depending on the ways in which the tool is used especially what kind of workpiece is processed.

⚠WARNING: Be sure to identify safety measures to protect the operator that are based on an estimation of exposure in the actual conditions of use (taking account of all parts of the operating cycle such as the times when the tool is switched off and when it is running idle in addition to the trigger time).

EC Declaration of Conformity

For European countries only

The EC declaration of conformity is included as Annex A to this instruction manual.

General power tool safety warnings

⚠ WARNING: Read all safety warnings, instructions, illustrations and specifications provided with this power tool. Failure to follow all instructions listed below may result in electric shock, fire and/or serious injury.

Save all warnings and instructions for future reference.

The term "power tool" in the warnings refers to your mains-operated (corded) power tool or battery-operated (cordless) power tool.

Jig saw safety warnings

1. Hold the power tool by insulated gripping surfaces, when performing an operation where the cutting accessory may contact hidden wiring or its own cord. Cutting accessory contacting a "live" wire may make exposed metal parts of the power tool "live" and could give the operator an electric shock.
2. Use clamps or another practical way to secure and support the workpiece to a stable platform. Holding the workpiece by hand or against your body leaves it unstable and may lead to loss of control.
3. Always use safety glasses or goggles. Ordinary eye or sun glasses are NOT safety glasses.
4. Avoid cutting nails. Inspect workpiece for any nails and remove them before operation.
5. Do not cut oversize workpiece.
6. Check for the proper clearance beyond the workpiece before cutting so that the blade will not strike the floor, workbench, etc.
7. Hold the tool firmly.
8. Make sure the blade is not contacting the workpiece before the switch is turned on.
9. Keep hands away from moving parts.
10. Do not leave the tool running. Operate the tool only when hand-held.
11. Always switch off and wait for the blade to come to a complete stop before removing the blade from the workpiece.
12. Do not touch the blade or the workpiece immediately after operation; they may be extremely hot and could burn your skin.
13. Do not operate the tool at no-load unnecessarily.
14. Some material contains chemicals which may be toxic. Take caution to prevent dust inhalation and skin contact. Follow material supplier safety data.
15. Always use the correct dust mask/respirator for the material and application you are working with.

SAVE THESE INSTRUCTIONS.

⚠ WARNING: DO NOT let comfort or familiarity with product (gained from repeated use) replace strict adherence to safety rules for the subject product. MISUSE or failure to follow the safety rules stated in this instruction manual may cause serious personal injury.

FUNCTIONAL DESCRIPTION

⚠ CAUTION: Always be sure that the tool is switched off and unplugged before adjusting or checking function on the tool.

Selecting the cutting action

► Fig.1: 1. Cutting action changing lever

This tool can be operated with an orbital or a straight line (up and down) cutting action. The orbital cutting action thrusts the jig saw blade forward on the cutting stroke and greatly increases cutting speed.

To change the cutting action, just turn the cutting action changing lever to the desired cutting action position. Refer to the table to select the appropriate cutting action.

Position	Cutting action	Applications
0	Straight line cutting action	For cutting mild steel, stainless steel and plastics. For clean cuts in wood and plywood.
I	Small orbit cutting action	For cutting mild steel, aluminum and hard wood.
II	Medium orbit cutting action	For cutting wood and plywood. For fast cutting in aluminum and mild steel.
III	Large orbit cutting action	For fast cutting in wood and plywood.

Switch action

⚠ CAUTION: Before plugging in the tool, always check to see that the switch trigger actuates properly and returns to the "OFF" position when released.

► Fig.2: 1. Switch trigger 2. Lock button

To start the tool, simply pull the switch trigger. Tool speed is increased by increasing pressure on the switch trigger. Release the switch trigger to stop.

For continuous operation, pull the switch trigger, push in the lock button and then release the switch trigger. To stop the tool from the locked position, pull the switch trigger fully, then release it.

ASSEMBLY

CAUTION: Always be sure that the tool is switched off and unplugged before carrying out any work on the tool.

Installing or removing jig saw blade

CAUTION: Always clean out all chips or foreign matter adhering to the jig saw blade and/or blade holder. Failure to do so may cause insufficient tightening of the blade, resulting in a serious personal injury.

CAUTION: Do not touch the jig saw blade or the workpiece immediately after operation. They may be extremely hot and could burn your skin.

CAUTION: Always secure the jig saw blade firmly. Insufficient tightening of the blade may cause blade breakage or serious personal injury.

CAUTION: Use only B type jig saw blades. Using blades other than B type causes insufficient tightening of the blade, resulting in a serious personal injury.

To install the jig saw blade, loosen the bolt counter-clockwise on the jig saw blade holder with the hex wrench.

► **Fig.3:** 1. Jig saw blade holder 2. Bolt 3. Hex wrench

With the blade teeth facing forward, insert the jig saw blade into the jig saw blade holder as far as it will go. Make sure that the back edge of the blade fits into the roller. Then tighten the bolt clockwise to secure the blade.

► **Fig.4:** 1. Bolt 2. Roller 3. Jig saw blade

To remove the jig saw blade, follow the installation procedure in reverse.

NOTE: Occasionally lubricate the roller.

Hex wrench storage

► **Fig.5:** 1. Hook 2. Hex wrench

When not in use, store the hex wrench as shown in the figure to keep it from being lost.

OPERATION

CAUTION: Always hold the base flush with the workpiece. Failure to do so may cause jig saw blade breakage, resulting in a serious injury.

CAUTION: Advance the tool very slowly when cutting curves or scrolling. Forcing the tool may cause a slanted cutting surface and jig saw blade breakage.

► **Fig.6:** 1. Cutting line 2. Base

Turn the tool on without the jig saw blade making any contact and wait until the blade attains full speed. Then rest the base flat on the workpiece and gently move the tool forward along the previously marked cutting line.

Bevel cutting

CAUTION: Always be sure that the tool is switched off and unplugged before tilting the base.

CAUTION: Raise the dust cover all the way before making bevel cuts.

With the base tilted, you can make bevel cuts at any angle between 0° and 45° (left or right).

► **Fig.7**

Loosen the bolt on the back of the base with the hex wrench. Move the base so that the bolt is positioned in the center of the cross-shaped slot in the base.

► **Fig.8:** 1. Hex wrench 2. Bolt 3. Base

Tilt the base until the desired bevel angle is obtained. The edge of the motor housing indicates the bevel angle by graduations. Then tighten the bolt to secure the base.

► **Fig.9:** 1. Edge 2. Graduation

Front flush cuts

► **Fig.10:** 1. Hex wrench 2. Bolt 3. Base

Loosen the bolt on the back of the base with the hex wrench and slide the base all the way back. Then tighten the bolt to secure the base.

Cutouts

Cutouts can be made with either of two methods "Boring a starting hole" or "Plunge cutting".

Boring a starting hole

► **Fig.11**

For internal cutouts without a lead-in cut from an edge, pre-drill a starting hole 12 mm or more in diameter. Insert the jig saw blade into this hole to start your cut.

Plunge cutting

► **Fig.12**

You need not bore a starting hole or make a lead-in cut if you carefully do as follows.

1. Tilt the tool up on the front edge of the base with the jig saw blade point positioned just above the workpiece surface.
2. Apply pressure to the tool so that the front edge of the base will not move when you switch on the tool and gently lower the back end of the tool slowly.
3. As the jig saw blade pierces the workpiece, slowly lower the base of the tool down onto the workpiece surface.
4. Complete the cut in the normal manner.

Finishing edges

► **Fig.13**

To trim edges or make dimensional adjustments, run the jig saw blade lightly along the cut edges.

Metal cutting

Always use a suitable coolant (cutting oil) when cutting metal. Failure to do so will cause significant jig saw blade wear. The underside of the workpiece can be greased instead of using a coolant.

Dust extraction

► **Fig.14:** 1. Hose

Clean cutting operations can be performed by connecting this tool to a Makita vacuum cleaner. Insert the hose of the vacuum cleaner into the hole at the rear of the tool.

NOTE: Dust extraction cannot be performed when making bevel cuts.

Rip fence

Optional accessory

CAUTION: Always be sure that the tool is switched off and unplugged before installing or removing accessories.

Straight cuts

When repeatedly cutting widths of 160 mm or less, use of the rip fence will assure fast, clean, straight cuts.

► **Fig.15:** 1. Rip fence (Guide rule)

To install, insert the rip fence into the rectangular hole on the side of the base with the fence guide facing down. Slide the rip fence to the desired cutting width position, then tighten the bolt to secure it.

► **Fig.16:** 1. Hex wrench 2. Bolt 3. Fence guide 4. Rip fence (Guide rule)

Circular cuts

When cutting circles or arcs of 170 mm or less in radius, install the rip fence as follows.

► **Fig.17:** 1. Rip fence (Guide rule)

1. Insert the rip fence into the rectangular hole on the side of the base with the fence guide facing up.

2. Insert the circular guide pin through either of the two holes on the fence guide. Screw the threaded knob onto the pin to secure the pin.

► **Fig.18:** 1. Threaded knob 2. Fence guide 3. Rip fence (Guide rule) 4. Pin

3. Slide the rip fence to the desired cutting radius, and tighten the bolt to secure it in place. Then move the base all the way forward.

NOTE: Always use jig saw blades No. B-17, B-18, B-26 or B-27 when cutting circles or arcs.

Anti-splintering device for steel base

Optional accessory

► **Fig.19:** 1. Anti-splintering device 2. Protrusion

For splinter-free cuts, the anti-splintering device can be used. To install the anti-splintering device, move the base all the way forward and insert it between the two protrusions of the base.

NOTE: The anti-splintering device cannot be used when making bevel cuts.

MAINTENANCE

CAUTION: Always be sure that the tool is switched off and unplugged before attempting to perform inspection or maintenance.

NOTICE: Never use gasoline, benzine, thinner, alcohol or the like. Discoloration, deformation or cracks may result.

To maintain product SAFETY and RELIABILITY, repairs, carbon brush inspection and replacement, any other maintenance or adjustment should be performed by Makita Authorized or Factory Service Centers, always using Makita replacement parts.

SPÉCIFICATIONS

Modèle :		M4301
Longueur de la course		18 mm
Type de lame		Type B
Capacités de coupe maximales	Bois	65 mm
	Acier doux	6 mm
Nombre de courses par minute (min ⁻¹)		0 à 3 100
Longueur totale		214 mm
Poids net		1,9 kg
Catégorie de sécurité		▣/II

- Étant donné l'évolution constante de notre programme de recherche et de développement, les spécifications contenues dans ce manuel sont sujettes à modification sans préavis.
- Les spécifications peuvent varier suivant les pays.
- Poids selon la procédure EPTA 01/2014

Utilisations

L'outil est conçu pour scier le bois, le plastique et les métaux. Grâce à une vaste gamme d'accessoires et de lames de scie, l'outil peut être utilisé à des fins multiples et convient parfaitement pour les coupes courbes ou circulaires.

Alimentation

L'outil ne devra être raccordé qu'à une alimentation de la même tension que celle qui figure sur la plaque signalétique, et il ne pourra fonctionner que sur un courant secteur monophasé. Réalisé avec une double isolation, il peut de ce fait être alimenté par une prise sans mise à la terre.

Bruit

Niveau de bruit pondéré A typique, déterminé selon EN62841-2-11 :

Niveau de pression sonore (L_{pA}) : 82 dB (A)

Niveau de puissance sonore (L_{WA}) : 93 dB (A)

Incertitude (K) : 3 dB (A)

NOTE : La ou les valeurs d'émission de bruit déclarées ont été mesurées conformément à la méthode de test standard et peuvent être utilisées pour comparer les outils entre eux.

NOTE : La ou les valeurs d'émission de bruit déclarées peuvent aussi être utilisées pour l'évaluation préliminaire de l'exposition.

⚠ AVERTISSEMENT : Portez un serre-tête antibruit.

⚠ AVERTISSEMENT : L'émission de bruit lors de l'usage réel de l'outil électrique peut être différente de la ou des valeurs déclarées, suivant la façon dont l'outil est utilisé, particulièrement selon le type de pièce usinée.

⚠ AVERTISSEMENT : Les mesures de sécurité à prendre pour protéger l'utilisateur doivent être basées sur une estimation de l'exposition dans des conditions réelles d'utilisation (en tenant compte de toutes les composantes du cycle d'utilisation, comme par exemple le moment de sa mise hors tension, lorsqu'il tourne à vide et le moment de son déclenchement).

Vibrations

Valeur totale de vibrations (somme de vecteur triaxial) déterminée selon EN62841-2-11 :

Mode de travail : coupe de planches

Émission de vibrations ($a_{h,B}$) : 8,0 m/s²

Incertitude (K) : 1,5 m/s²

Mode de travail : Découpe de tôle

Émission de vibrations ($a_{h,M}$) : 5,0 m/s²

Incertitude (K) : 1,5 m/s²

NOTE : La ou les valeurs de vibration totales déclarées ont été mesurées conformément à la méthode de test standard et peuvent être utilisées pour comparer les outils entre eux.

NOTE : La ou les valeurs de vibration totales déclarées peuvent aussi être utilisées pour l'évaluation préliminaire de l'exposition.

⚠AVERTISSEMENT : L'émission de vibrations lors de l'usage réel de l'outil électrique peut être différente de la ou des valeurs déclarées, suivant la façon dont l'outil est utilisé, particulièrement selon le type de pièce usinée.

⚠AVERTISSEMENT : Les mesures de sécurité à prendre pour protéger l'utilisateur doivent être basées sur une estimation de l'exposition dans des conditions réelles d'utilisation (en tenant compte de toutes les composantes du cycle d'utilisation, comme par exemple le moment de sa mise hors tension, lorsqu'il tourne à vide et le moment de son déclenchement).

Déclaration de conformité CE

Pour les pays européens uniquement

La déclaration de conformité CE est fournie en Annexe A à ce mode d'emploi.

Consignes de sécurité générales pour outils électriques

⚠AVERTISSEMENT : Veuillez lire les consignes de sécurité, instructions, illustrations et spécifications qui accompagnent cet outil électrique. Le non-respect de toutes les instructions indiquées ci-dessous peut entraîner une électrocution, un incendie et/ou de graves blessures.

Conservez toutes les mises en garde et instructions pour référence ultérieure.

Le terme « outil électrique » dans les avertissements fait référence à l'outil électrique alimenté par le secteur (avec cordon d'alimentation) ou à l'outil électrique fonctionnant sur batterie (sans cordon d'alimentation).

Consignes de sécurité pour scie sauteuse

1. **Tenez l'outil électrique par une surface de prise isolée, lorsque vous effectuez une tâche où l'accessoire de coupe pourrait toucher un câblage caché ou son propre cordon d'alimentation.** Le contact de l'accessoire de découpe avec un fil sous tension peut transmettre du courant dans les pièces métalliques exposées de l'outil électrique et électrocuter l'utilisateur.
2. **Utilisez des dispositifs de serrage ou un autre moyen pratique pour fixer la pièce sur une surface de travail stable.** La pièce sera instable et vous risquez d'en perdre la maîtrise si vous la tenez dans vos mains ou l'appuyez contre votre corps.
3. **Portez toujours des lunettes de sécurité ou des lunettes à coques.** Les lunettes ordinaires et les lunettes de soleil **NE** sont **PAS** des lunettes de sécurité.
4. **Prenez garde aux clous pendant la coupe.** Avant de commencer le travail, inspectez la pièce et retirez tous les clous.

5. **Ne coupez pas des pièces trop grandes.**
6. **Avant d'effectuer la coupe, assurez-vous que le dégagement sous la pièce est suffisant pour que la lame ne heurte pas une surface dure (sol, établi, etc.).**
7. **Tenez l'outil fermement.**
8. **Assurez-vous que la lame n'est pas en contact avec la pièce avant de mettre l'outil en marche.**
9. **Gardez vos mains à l'écart des pièces en mouvement.**
10. **N'abandonnez pas l'outil alors qu'il tourne. Ne faites fonctionner l'outil qu'une fois que vous l'avez bien en main.**
11. **Avant de retirer la lame de la pièce, mettez toujours l'outil hors tension et attendez que la lame soit complètement immobilisée.**
12. **Ne touchez ni la lame ni la pièce immédiatement après la coupe ; elles peuvent être très chaudes et vous risquez de vous brûler.**
13. **Ne faites pas tourner l'outil à vide inutilement.**
14. **Certains matériaux contiennent des produits chimiques susceptibles d'être toxiques. Prenez garde de ne pas avaler la poussière et évitez tout contact avec la peau. Suivez les données de sécurité du fournisseur du matériau.**
15. **Portez toujours un masque antipoussières/un masque filtrant adapté au matériau travaillé et à l'application utilisée.**

CONSERVEZ CES INSTRUCTIONS.

⚠AVERTISSEMENT : **NE** vous laissez **PAS** tromper (au fil d'une utilisation répétée) par un sentiment d'aisance et de familiarité avec le produit, en négligeant le respect rigoureux des consignes de sécurité qui accompagnent le produit en question. La **MAUVAISE UTILISATION** de l'outil ou l'ignorance des consignes de sécurité indiquées dans ce mode d'emploi peut entraîner de graves blessures.

DESCRIPTION DU FONCTIONNEMENT

ATTENTION : Assurez-vous toujours que l'outil est hors tension et débranché avant de l'ajuster ou de vérifier son fonctionnement.

Sélection du mouvement de coupe

► **Fig.1:** 1. Levier de changement du mouvement de coupe

Cet outil peut fonctionner avec un mouvement de coupe orbital ou rectiligne (de haut en bas). Le mouvement de coupe orbital propulse la lame de scie sauteuse vers l'avant sur la course de coupe et augmente considérablement la vitesse de coupe.

Pour changer de mouvement de coupe, il suffit de tourner le levier de changement du mouvement de coupe sur la position de mouvement de coupe souhaitée. Consultez le tableau pour sélectionner le mouvement de coupe approprié.

Position	Mouvement de coupe	Applications
0	Mouvement de coupe rectiligne	Pour couper l'acier doux, l'acier inoxydable et le plastique. Pour des coupes propres dans le bois et le contreplaqué.
I	Petit mouvement de coupe orbital	Pour couper l'acier doux, l'aluminium et le bois franc.
II	Mouvement de coupe orbital moyen	Pour couper le bois et le contreplaqué. Pour une coupe rapide de l'aluminium et l'acier doux.
III	Mouvement de coupe orbital grand	Pour une coupe rapide du bois et du contreplaqué.

Fonctionnement de la gâchette

ATTENTION : Avant de brancher l'outil, assurez-vous toujours que la gâchette fonctionne correctement et revient en position d'arrêt une fois relâchée.

► **Fig.2:** 1. Gâchette 2. Bouton de sécurité

Il suffit d'enclencher la gâchette pour démarrer l'outil. La vitesse de l'outil augmente à mesure que vous augmentez la pression sur la gâchette. Pour l'arrêter, relâchez la gâchette.

Pour un fonctionnement continu, enclenchez la gâchette et poussez le bouton de verrouillage, puis relâchez la gâchette. Pour arrêter l'outil sur la position verrouillée, enclenchez à fond la gâchette puis relâchez-la.

ASSEMBLAGE

ATTENTION : Avant d'effectuer toute intervention sur l'outil, assurez-vous toujours qu'il est hors tension et débranché.

Pose ou dépose de la lame de scie sauteuse

ATTENTION : Enlevez toujours tous les copeaux ou les corps étrangers qui adhèrent à la lame de scie sauteuse et/ou au porte-lame. Sinon, la lame risque de ne pas être assez serrée, ce qui pourrait entraîner de graves blessures corporelles.

ATTENTION : Ne touchez pas la lame de scie sauteuse ou la pièce immédiatement après le fonctionnement. Elles peuvent être extrêmement chaudes et brûler votre peau.

ATTENTION : Fixez toujours solidement la lame de scie sauteuse. Si vous ne serrez pas assez la lame, elle risque de se briser ou vous pourriez gravement vous blesser.

ATTENTION : N'utilisez qu'une lame de scie sauteuse de type B. Si vous utilisez une lame d'un autre type que B, la lame risque de ne pas être assez serrée, ce qui pourrait entraîner de graves blessures corporelles.

Pour installer la lame de scie sauteuse, desserrez le boulon dans le sens inverse des aiguilles d'une montre sur le porte-lame de scie sauteuse avec la clé hexagonale.

► **Fig.3:** 1. Porte-lame de scie sauteuse 2. Boulon 3. Clé hexagonale

Avec les dents de la lame tournées vers l'avant, insérez la lame de scie sauteuse à fond dans le porte-lame. Assurez-vous que le bord arrière de la lame s'engage dans le rouleau. Puis serrez le boulon dans le sens des aiguilles d'une montre pour fixer la lame.

► **Fig.4:** 1. Boulon 2. Rouleau 3. Lame de scie sauteuse

Pour retirer la lame de scie sauteuse, suivez la procédure d'installation dans le sens inverse.

NOTE : Lubrifiez de temps en temps le rouleau.

Rangement de la clé hexagonale

► **Fig.5:** 1. Crochet 2. Clé hexagonale

Après utilisation, rangez la clé hexagonale comme indiqué sur la figure pour éviter de l'égarer.

UTILISATION

⚠ ATTENTION : Tenez toujours la base au ras de la pièce. Sinon, la lame de scie sauteuse risque de se briser, ce qui pourrait entraîner de graves blessures.

⚠ ATTENTION : Faites progresser l'outil très lentement lors de coupes courbe ou en spirale. La lame de scie sauteuse risque de se briser et la surface de coupe risque d'être oblique si vous forcez sur l'outil.

► Fig.6: 1. Trait de coupe 2. Base

Mettez l'outil sous tension alors que la lame de scie sauteuse ne touche à rien et attendez qu'elle atteigne sa pleine vitesse. Puis posez la base à plat sur la pièce et faites avancer délicatement l'outil le long du trait de coupe préalablement marqué.

Coupe en biseau

⚠ ATTENTION : Avant d'incliner la base, assurez-vous toujours que l'outil est hors tension et débranché.

⚠ ATTENTION : Soulevez complètement le pare-poussière avant de réaliser des coupes en biseau.

En inclinant la base, vous pouvez réaliser des coupes en biseau dans un angle compris entre 0 et 45° (à gauche ou à droite).

► Fig.7

Desserrez le boulon au dos de la base avec la clé hexagonale. Déplacez la base de sorte que le boulon se trouve au centre de la fente en forme de croix dans la base.

► Fig.8: 1. Clé hexagonale 2. Boulon 3. Base

Inclinez la base jusqu'à ce que vous obteniez l'angle de coupe en biseau souhaité. Le bord du carter du moteur indique l'angle de coupe en biseau par des graduations. Puis serrez le boulon pour fixer la base.

► Fig.9: 1. Bord 2. Graduation

Coupes à ras avant

► Fig.10: 1. Clé hexagonale 2. Boulon 3. Base

Desserrez le boulon au dos de la base avec la clé hexagonale et faites glisser complètement la base en arrière. Puis serrez le boulon pour fixer la base.

Découpes

Des découpes peuvent être faites selon deux méthodes : « l'alésage d'un trou de départ » ou « la coupe en plongée ».

Alésage d'un trou de départ

► Fig.11

Pour les découpes internes sans coupe initiale depuis un bord, percez d'abord un trou de départ de 12 mm ou plus de diamètre. Insérez la lame de scie sauteuse dans ce trou pour commencer votre coupe.

Coupe en plongée

► Fig.12

Il n'est pas nécessaire d'aléser un trou de départ ou de faire une coupe initiale si vous procédez avec soin comme suit.

1. Inclinez l'outil vers le haut sur le bord avant de la base avec la pointe de la lame de scie sauteuse placée juste au-dessus de la surface de la pièce.

2. Exercez une pression sur l'outil de sorte que le bord avant de la base ne bouge pas lorsque vous mettez l'outil sous tension et abaissez délicatement et lentement l'arrière de l'outil.

3. À mesure que la lame de scie sauteuse perce la pièce, abaissez lentement la base de l'outil sur la surface de la pièce.

4. Terminez la coupe normalement.

Finition des bords

► Fig.13

Pour profiler des bords ou ajuster les dimensions, passez légèrement la lame de scie sauteuse le long des bords coupés.

Coupe du métal

Utilisez toujours un réfrigérant adapté (huile de coupe) quand vous sciez du métal. Sinon, la lame de scie sauteuse s'usera considérablement. Le dessous de la pièce peut être lubrifié au lieu d'utiliser un réfrigérant.

Aspiration de la poussière

► Fig.14: 1. Tuyau

Pour réaliser des coupes propres, raccordez cet outil à un aspirateur Makita. Insérez le tuyau de l'aspirateur dans l'orifice à l'arrière de l'outil.

NOTE : La poussière ne peut pas être aspirée si vous réalisez des coupes en biseau.

Guide parallèle

Accessoire en option

⚠ ATTENTION : Avant de poser ou de retirer des accessoires, assurez-vous toujours que l'outil est hors tension et débranché.

Coupes rectilignes

Lorsque vous coupez de manière répétée des largeurs de 160 mm ou moins, l'utilisation du guide parallèle garantira des coupes rapides, propres et rectilignes.

► Fig.15: 1. Guide parallèle (règle de guidage)

Pour l'installer, insérez le guide parallèle dans l'orifice rectangulaire sur le côté de la base avec le guide de butée tourné vers le bas. Faites glisser le guide parallèle sur la position de largeur de coupe souhaitée, puis serrez le boulon pour le fixer.

► Fig.16: 1. Clé hexagonale 2. Boulon 3. Guide de butée 4. Guide parallèle (règle de guidage)

Coupes circulaires

Lorsque vous coupez des cercles ou des arcs de 170 mm ou moins de rayon, installez le guide parallèle comme suit.

► **Fig.17:** 1. Guide parallèle (règle de guidage)

1. Insérez le guide parallèle dans l'orifice rectangulaire sur le côté de la base avec le guide de butée tourné vers le haut.
2. Insérez la goupille de guidage circulaire par l'un des deux orifices sur le guide de butée. Vissez le pommeau fileté sur la goupille pour la fixer.

► **Fig.18:** 1. Pommeau fileté 2. Guide de butée
3. Guide parallèle (règle de guidage)
4. Goupille

3. Faites glisser le guide parallèle sur le rayon de coupe souhaité, puis serrez le boulon pour le fixer. Déplacez ensuite la base complètement vers l'avant.

NOTE : Utilisez toujours des lames de scie sauteuse numéro B-17, B-18, B-26 ou B-27 lors de la coupe de cercles ou arcs.

Dispositif anti-éclatement pour la base en acier

Accessoire en option

► **Fig.19:** 1. Dispositif anti-éclatement 2. Partie saillante

Utilisez le dispositif anti-éclatement pour garantir des coupes sans éclats. Pour installer le dispositif anti-éclatement, déplacez la base complètement vers l'avant et insérez-le entre les deux parties saillantes de la base.

NOTE : Le dispositif anti-éclatement ne peut pas être utilisé si vous réalisez des coupes en biseau.

ENTRETIEN

⚠ ATTENTION : Assurez-vous toujours que l'outil est hors tension et débranché avant d'y effectuer tout travail d'inspection ou d'entretien.

REMARQUE : N'utilisez jamais d'essence, benzine, diluant, alcool ou autre produit similaire. Cela risquerait de provoquer la décoloration, la déformation ou la fissuration de l'outil.

Pour maintenir la SÉCURITÉ et la FIABILITÉ du produit, les réparations, l'inspection et le remplacement des balais en carbone, ainsi que tout autre travail d'entretien ou de réglage doivent être effectués par un centre d'entretien Makita agréé, avec des pièces de rechange Makita.

TECHNISCHE DATEN

Modell:		M4301
Hublänge		18 mm
Sägeblatttyp		Typ B
Max. Schnitttiefen	Holz	65 mm
	Weichstahl	6 mm
Hubzahl pro Minute (min ⁻¹)		0 - 3.100
Gesamtlänge		214 mm
Nettogewicht		1,9 kg
Sicherheitsklasse		□/II

- Wir behalten uns vor, Änderungen der technischen Daten im Zuge der Entwicklung und des technischen Fortschritts ohne vorherige Ankündigung vorzunehmen.
- Die technischen Daten können von Land zu Land unterschiedlich sein.
- Gewicht nach EPTA-Verfahren 01/2014

Verwendungszweck

Das Werkzeug ist zum Sägen von Holz, Kunststoff und Metallmaterial vorgesehen. Dank dem ausgedehnten Zubehör- und Sägeblattprogramm kann das Werkzeug für zahlreiche Zwecke eingesetzt werden und eignet sich sehr gut für gekrümmte oder kreisförmige Schnitte.

Stromversorgung

Das Werkzeug sollte nur an eine Stromquelle angeschlossen werden, deren Spannung mit der Angabe auf dem Typenschild übereinstimmt, und kann nur mit Einphasen-Wechselstrom betrieben werden. Diese sind doppelt schutzisoliert und können daher auch an Steckdosen ohne Erdleiter verwendet werden.

Geräusch

Typischer A-bewerteter Geräuschpegel ermittelt gemäß EN62841-2-11:

Schalldruckpegel (L_{pA}): 82 dB (A)
 Schallleistungspegel (L_{WA}): 93 dB (A)
 Messunsicherheit (K): 3 dB (A)

HINWEIS: Der (Die) angegebene(n) Schallemissionswert(e) wurde(n) im Einklang mit der Standardprüfmethode gemessen und kann (können) für den Vergleich zwischen Werkzeugen herangezogen werden.

HINWEIS: Der (Die) angegebene(n) Schallemissionswert(e) kann (können) auch für eine Vorbewertung des Gefährdungsgrads verwendet werden.

⚠️ WARNUNG: Einen Gehörschutz tragen.

⚠️ WARNUNG: Die Schallemission während der tatsächlichen Benutzung des Elektrowerkzeugs kann je nach der Benutzungsweise des Werkzeugs, und speziell je nach der Art des bearbeiteten Werkstücks, von dem (den) angegebenen Wert(en) abweichen.

⚠️ WARNUNG: Identifizieren Sie Sicherheitsmaßnahmen zum Schutz des Benutzers anhand einer Schätzung des Gefährdungsgrads unter den tatsächlichen Benutzungsbedingungen (unter Berücksichtigung aller Phasen des Arbeitszyklus, wie z. B. Ausschalt- und Leerlaufzeiten des Werkzeugs zusätzlich zur Betriebszeit).

Schwingungen

Schwingungsgesamtwert (Drei-Achsen-Vektorsumme) ermittelt gemäß EN62841-2-11:

Arbeitsmodus: Schneiden von Brettern
 Schwingungsemission (a_{h,B}): 8,0 m/s²
 Messunsicherheit (K): 1,5 m/s²
 Arbeitsmodus: Schneiden von Blechen
 Schwingungsemission (a_{h,M}): 5,0 m/s²
 Messunsicherheit (K): 1,5 m/s²

HINWEIS: Der (Die) angegebene(n) Vibrationsgesamtwert(e) wurde(n) im Einklang mit der Standardprüfmethode gemessen und kann (können) für den Vergleich zwischen Werkzeugen herangezogen werden.

HINWEIS: Der (Die) angegebene(n) Vibrationsgesamtwert(e) kann (können) auch für eine Vorbewertung des Gefährdungsgrads verwendet werden.

⚠️ WARNUNG: Die Vibrationsemission während der tatsächlichen Benutzung des Elektrowerkzeugs kann je nach der Benutzungsweise des Werkzeugs, und speziell je nach der Art des bearbeiteten Werkstücks, von dem (den) angegebenen Emissionswert(en) abweichen.

⚠️ WARNUNG: Identifizieren Sie Sicherheitsmaßnahmen zum Schutz des Benutzers anhand einer Schätzung des Gefährdungsgrads unter den tatsächlichen Benutzungsbedingungen (unter Berücksichtigung aller Phasen des Arbeitszyklus, wie z. B. Ausschalt- und Leerlaufzeiten des Werkzeugs zusätzlich zur Betriebszeit).

EG-Konformitätserklärung

Nur für europäische Länder

Die EG-Konformitätserklärung ist als Anhang A in dieser Bedienungsanleitung enthalten.

Allgemeine Sicherheitswarnungen für Elektrowerkzeuge

⚠️ WARNUNG: Lesen Sie alle mit diesem Elektrowerkzeug gelieferten Sicherheitswarnungen, Anweisungen, Abbildungen und technischen Daten durch. Eine Missachtung der unten aufgeführten Anweisungen kann zu einem elektrischen Schlag, Brand und/oder schweren Verletzungen führen.

Bewahren Sie alle Warnungen und Anweisungen für spätere Bezugnahme auf.

Der Ausdruck „Elektrowerkzeug“ in den Warnhinweisen bezieht sich auf Ihr mit Netzstrom (mit Kabel) oder Akku (ohne Kabel) betriebenes Elektrowerkzeug.

Sicherheitswarnungen für Sticksägen

1. Halten Sie das Elektrowerkzeug nur an den isolierten Griffflächen, wenn Sie Arbeiten ausführen, bei denen die Gefahr besteht, dass verborgene Kabel oder das eigene Kabel kontaktiert werden. Bei Kontakt mit einem Strom führenden Kabel können die freiliegenden Metallteile des Elektrowerkzeugs ebenfalls Strom führend werden, so dass der Benutzer einen elektrischen Schlag erleiden kann.
2. Verwenden Sie Klemmen oder eine andere praktische Methode, um das Werkstück auf einer stabilen Unterlage zu sichern und abzustützen. Wenn Sie das Werkstück nur von Hand oder gegen Ihren Körper halten, befindet es sich in einer instabilen Lage, die zum Verlust der Kontrolle führen kann.

3. Tragen Sie stets eine Sicherheits- oder Schutzbrille. Eine gewöhnliche Brille oder Sonnenbrille ist KEIN Ersatz für eine Sicherheitsbrille.
4. Vermeiden Sie das Schneiden von Nägeln. Untersuchen Sie das Werkstück auf Nägel, und entfernen Sie diese vor der Bearbeitung.
5. Schneiden Sie keine übergroßen Werkstücke.
6. Vergewissern Sie sich vor dem Schneiden, dass genügend Platz hinter dem Werkstück vorhanden ist, damit das Sägeblatt nicht auf den Boden, die Werkbank usw. trifft.
7. Halten Sie das Werkzeug mit festem Griff.
8. Vergewissern Sie sich vor dem Einschalten des Werkzeugs, dass das Sägeblatt nicht das Werkstück berührt.
9. Halten Sie die Hände von beweglichen Teilen fern.
10. Lassen Sie das Werkzeug nicht unbeaufsichtigt laufen. Benutzen Sie das Werkzeug nur im handgeführten Einsatz.
11. Schalten Sie das Werkzeug stets aus, und warten Sie, bis das Sägeblatt zum vollständigen Stillstand kommt, bevor Sie das Sägeblatt aus dem Werkstück entfernen.
12. Vermeiden Sie eine Berührung des Sägeblatts oder des Werkstücks unmittelbar nach der Bearbeitung, weil sie dann möglicherweise noch sehr heiß sind und Hautverbrennungen verursachen können.
13. Lassen Sie das Werkzeug nicht unnötig im Leerlauf laufen.
14. Manche Materialien können giftige Chemikalien enthalten. Treffen Sie Vorsichtsmaßnahmen, um das Einatmen von Arbeitsstaub und Hautkontakt zu verhindern. Befolgen Sie die Sicherheitsdaten des Materiallieferanten.
15. Verwenden Sie stets die korrekte Staubschutz-/Atemmaske für das jeweilige Material und die Anwendung.

DIESE ANWEISUNGEN AUFBEWAHREN.

⚠️ WARNUNG: Lassen Sie sich NICHT durch Bequemlichkeit oder Vertrautheit mit dem Produkt (durch wiederholten Gebrauch erworben) von der strikten Einhaltung der Sicherheitsregeln für das vorliegende Produkt abhalten. MISSBRAUCH oder Missachtung der Sicherheitsvorschriften in dieser Anleitung können schwere Personenschäden verursachen.

FUNKTIONSBESCHREIBUNG

⚠ VORSICHT: Vergewissern Sie sich vor jeder Einstellung oder Funktionsprüfung des Werkzeugs stets, dass es ausgeschaltet und vom Stromnetz getrennt ist.

Wahl der Schnittbewegung

► **Abb.1:** 1. Schnittbewegungs-Umschalthebel

Dieses Werkzeug kann mit einer kreisförmigen oder geradlinigen (auf und ab) Schnittbewegung betrieben werden. Bei kreisförmiger Schnittbewegung wird das Stichsägeblatt im Schnitthub vorgeschoben, wodurch die Schnittgeschwindigkeit beträchtlich erhöht wird.

Um die Schnittbewegung zu wechseln, stellen Sie einfach den Schnittbewegungs-Umschalthebel auf die Position der gewünschten Schnittbewegung. Wählen Sie die geeignete Schnittbewegung anhand der Tabelle aus.

Position	Schnittbewegung	Anwendungen
0	Geradlinige Schnittbewegung	Zum Schneiden von Weichstahl, Edelstahl und Kunststoffen. Für saubere Schnitte in Holz und Sperrholz.
I	Kleine kreisförmige Schnittbewegung	Zum Schneiden von Weichstahl, Aluminium und Hartholz.
II	Mittelgroße kreisförmige Schnittbewegung	Zum Schneiden von Holz und Sperrholz. Für schnelles Schneiden in Aluminium und Weichstahl.
III	Große kreisförmige Schnittbewegung	Für schnelles Schneiden in Holz und Sperrholz.

Schalterfunktion

⚠ VORSICHT: Vergewissern Sie sich vor dem Anschließen des Werkzeugs an das Stromnetz stets, dass der Ein-Aus-Schalter ordnungsgemäß funktioniert und beim Loslassen in die AUS-Stellung zurückkehrt.

► **Abb.2:** 1. Ein-Aus-Schalter 2. Einschaltsperrknopf

Zum Einschalten des Werkzeugs betätigen Sie einfach den Ein-Aus-Schalter. Die Hubzahl erhöht sich durch verstärkte Druckausübung auf den Ein-Aus-Schalter. Zum Anhalten lassen Sie den Ein-Aus-Schalter los.

Für Dauerbetrieb den Ein-Aus-Schalter betätigen, den Arretierknopf hineindrücken, und dann den Ein-Aus-Schalter loslassen. Zum Ausrasten der Sperre den Ein-Aus-Schalter bis zum Anschlag hineindrücken und dann loslassen.

MONTAGE

⚠ VORSICHT: Vergewissern Sie sich vor der Ausführung von Arbeiten am Werkzeug stets, dass es ausgeschaltet und vom Stromnetz getrennt ist.

Montieren und Demontieren des Stichsägeblatts

⚠ VORSICHT: Säubern Sie das Stichsägeblatt und/oder den Sägeblatthalter stets von anhaftenden Spänen oder Fremdkörpern. Andernfalls lässt sich das Sägeblatt möglicherweise nicht fest genug einspannen, was schwere Personenschäden zur Folge haben kann.

⚠ VORSICHT: Berühren Sie das Stichsägeblatt oder das Werkstück nicht unmittelbar nach dem Arbeitsvorgang. Die Teile können sehr heiß sein und Hautverbrennungen verursachen.

⚠ VORSICHT: Ziehen Sie das Stichsägeblatt stets fest an. Unzureichendes Anziehen des Sägeblatts kann zu Sägeblattbruch oder schweren Personenschäden führen.

⚠ VORSICHT: Verwenden Sie nur Stichsägeblätter des Typs B. Die Verwendung von anderen Sägeblättern außer solchen des Typs B verursacht unzureichende Befestigung des Sägeblatts, was zu schweren Personenschäden führen kann.

Zum Montieren des Stichsägeblatts lösen Sie die Schraube am Stichsägeblatthalter mit dem Inbusschlüssel durch Drehen entgegen dem Uhrzeigersinn.

► **Abb.3:** 1. Stichsägeblatthalter 2. Schraube 3. Inbusschlüssel

Führen Sie das Stichsägeblatt mit den Zähnen nach vorn weisend bis zum Anschlag in den Stichsägeblatthalter ein. Vergewissern Sie sich, dass die Hinterkante des Sägeblatts in der Rolle sitzt. Ziehen Sie dann die Schraube zur Sicherung des Sägeblatts im Uhrzeigersinn fest.

► **Abb.4:** 1. Schraube 2. Rolle 3. Stichsägeblatt

Zum Demontieren des Stichsägeblatts ist das Montageverfahren umgekehrt anzuwenden.

HINWEIS: Die Rolle ist gelegentlich zu schmieren.

Aufbewahrung des Inbusschlüssels

► **Abb.5:** 1. Haken 2. Inbusschlüssel

Wenn der Inbusschlüssel nicht benutzt wird, kann er an der in der Abbildung gezeigten Stelle aufbewahrt werden, damit er nicht verloren geht.

BETRIEB

⚠ VORSICHT: Halten Sie die Grundplatte stets bündig mit dem Werkstück. Anderenfalls kann es zu einem Bruch des Sticksägeblatts kommen, was eine schwere Verletzung zur Folge haben kann.

⚠ VORSICHT: Schieben Sie das Werkzeug beim Kurvenschneiden oder Dekupieren sehr langsam vor. Gewaltames Vorschieben des Werkzeugs kann zu einer schiefen Schnittfläche und Bruch des Sticksägeblatts führen.

► **Abb.6:** 1. Schnittlinie 2. Grundplatte

Schalten Sie das Werkzeug ein, ohne dass das Sticksägeblatt Kontakt hat, und warten Sie, bis es seine volle Hubzahl erreicht. Setzen Sie dann die Grundplatte flach auf das Werkstück auf, und schieben Sie das Werkzeug entlang der vorher angezeichneten Schnittlinie sachte vor.

Neigungsschnitt

⚠ VORSICHT: Vergewissern Sie sich vor dem Neigen der Grundplatte stets, dass das Werkzeug ausgeschaltet und vom Stromnetz getrennt ist.

⚠ VORSICHT: Heben Sie den Staubfänger vollständig an, bevor Sie Neigungsschnitte durchführen.

Bei geneigter Grundplatte können Sie Neigungsschnitte in jedem Winkel zwischen 0° und 45° (links oder rechts) ausführen.

► **Abb.7**

Lösen Sie die Schraube auf der Unterseite der Grundplatte mit dem Inbusschlüssel. Verschieben Sie die Grundplatte so, dass sich die Schraube in der Mitte des kreuzförmigen Schlitzes in der Grundplatte befindet.

► **Abb.8:** 1. Inbusschlüssel 2. Schraube
3. Grundplatte

Neigen Sie die Grundplatte, bis der gewünschte Neigungswinkel erreicht ist. Die Kante des Motorgehäuses kennzeichnet den Neigungswinkel mit Teilstrichen. Ziehen Sie dann die Schraube zur Sicherung der Grundplatte fest.

► **Abb.9:** 1. Kante 2. Teilstrich

Frontbündige Schnitte

► **Abb.10:** 1. Inbusschlüssel 2. Schraube
3. Grundplatte

Lösen Sie die Schraube auf der Rückseite der Grundplatte mit dem Inbusschlüssel, und schieben Sie die Grundplatte bis zum Anschlag zurück. Ziehen Sie dann die Schraube zur Sicherung der Grundplatte fest.

Ausschnitte

Ausschnitte können mit einer von zwei Methoden ausgeführt werden: „Bohren eines Startlochs“ oder „Tauschschneiden“.

Bohren eines Startlochs

► **Abb.11**

Um interne Ausschnitte ohne Zulaufschnitt von einer Kante durchzuführen, bohren Sie ein Startloch mit einem Durchmesser von 12 mm oder mehr vor. Führen Sie das Sticksägeblatt in dieses Loch ein, um Ihren Schnitt zu beginnen.

Tauschschneiden

► **Abb.12**

Sie brauchen kein Startloch zu bohren oder einen Zulaufschnitt auszuführen, wenn Sie den folgenden Vorgang sorgfältig ausführen.

1. Kippen Sie das Werkzeug auf der Vorderkante der Grundplatte nach oben, so dass sich das Sticksägeblatt direkt über der Werkstückoberfläche befindet.
2. Üben Sie Druck auf das Werkzeug aus, so dass sich die Vorderkante der Grundplatte nicht bewegt, wenn Sie das Werkzeug einschalten und das Hinterende des Werkzeugs sachte absenken.
3. Wenn das Sticksägeblatt das Werkstück durchbohrt, senken Sie die Grundplatte des Werkzeugs langsam auf die Werkstückoberfläche ab.
4. Vollenden Sie den Schnitt auf normale Weise.

Versäubern von Kanten

► **Abb.13**

Um Kanten zu trimmen oder Maßkorrekturen vorzunehmen, führen Sie das Sticksägeblatt leicht an den Schnittkanten entlang.

Schneiden von Metall

Verwenden Sie beim Schneiden von Metall immer ein geeignetes Kühlmittel (Schneidöl). Anderenfalls kommt es zu erheblichem Verschleiß des Sticksägeblatts. Die Unterseite des Werkstücks kann eingefettet werden, anstatt ein Kühlmittel zu verwenden.

Staubabsaugung

► **Abb.14:** 1. Schlauch

Sie können saubere Schneidarbeiten durchführen, indem Sie dieses Werkzeug an ein Makita-Sauggerät anschließen. Führen Sie den Schlauch des Sauggeräts in die Öffnung auf der Rückseite des Werkzeugs ein.

HINWEIS: Bei Neigungsschnitten kann keine Staubabsaugung durchgeführt werden.

Parallelanschlag

Sonderzubehör

⚠ VORSICHT: Vergewissern Sie sich vor der Montage oder Demontage von Zubehör stets, dass das Werkzeug ausgeschaltet und vom Stromnetz getrennt ist.

Geradschnitte

Sollen Breiten von 160 mm oder weniger wiederholt geschnitten werden, gewährleistet der Parallelanschlag schnelle, saubere und gerade Schnitte.

► **Abb.15:** 1. Parallelanschlag (Richtlineal)

Setzen Sie den Parallelanschlag zur Montage so in das Vierkantloch an der Seite der Grundplatte ein, dass die Anschlagführung nach unten gerichtet ist. Schieben Sie den Parallelanschlag auf die gewünschte Schnittbreitenposition, und ziehen Sie dann die Schraube zur Sicherung fest.

► **Abb.16:** 1. Inbusschlüssel 2. Schraube
3. Anschlagführung 4. Parallelanschlag (Richtlineal)

Kreisschnitte

Um Kreise oder Bögen mit einem Radius von 170 mm oder weniger zu schneiden, installieren Sie den Parallelanschlag wie folgt.

► **Abb.17:** 1. Parallelanschlag (Richtlineal)

1. Setzen Sie den Parallelanschlag so in das Vierkantloch an der Seite der Grundplatte ein, dass die Anschlagführung nach oben gerichtet ist.

2. Führen Sie den Kreisführungsstift in eines der beiden Löcher in der Anschlagführung ein. Schrauben Sie den Gewindeknopf zur Sicherung auf den Stift.

► **Abb.18:** 1. Gewindeknopf 2. Anschlagführung
3. Parallelanschlag (Richtlineal) 4. Stift

3. Schieben Sie den Parallelanschlag auf den gewünschten Schnittradius, und ziehen Sie die Schraube zur Sicherung fest. Schieben Sie dann die Grundplatte ganz nach vorn.

HINWEIS: Verwenden Sie zum Schneiden von Kreisen oder Bögen stets die Stichsägeblätter Nr. B-17, B-18, B-26 oder B-27.

Splitterschutz für Stahl-Grundplatte

Sonderzubehör

► **Abb.19:** 1. Splitterschutz 2. Vorsprung

Für splitterfreie Schnitte kann der Splitterschutz verwendet werden. Schieben Sie die Grundplatte zum Montieren des Splitterschutzes ganz nach vorn, und führen Sie die Vorrichtung zwischen die zwei Vorsprünge der Grundplatte ein.

HINWEIS: Bei der Durchführung von Neigungsschnitten kann der Splitterschutz nicht verwendet werden.

WARTUNG

⚠ VORSICHT: Vergewissern Sie sich vor der Durchführung von Überprüfungen oder Wartungsarbeiten des Werkzeugs stets, dass es ausgeschaltet und vom Stromnetz getrennt ist.

ANMERKUNG: Verwenden Sie auf keinen Fall Benzin, Waschbenzin, Verdünnern, Alkohol oder dergleichen. Solche Mittel können Verfärbung, Verformung oder Rissbildung verursachen.

Um die SICHERHEIT und ZUVERLÄSSIGKEIT dieses Produkts aufrechtzuerhalten, sollten Reparaturen, Überprüfung und Austausch der Kohlebürsten und andere Wartungs- oder Einstellarbeiten nur von Makita-Vertragswerkstätten oder Makita-Kundendienstzentren unter ausschließlicher Verwendung von Makita-Originalersatzteilen ausgeführt werden.

DATI TECNICI

Modello:		M4301
Lunghezza della corsa		18 mm
Tipo lama		Tipo B
Capacità massime di taglio	Legno	65 mm
	Acciaio dolce	6 mm
Corse al minuto (min ⁻¹)		0 - 3.100
Lunghezza complessiva		214 mm
Peso netto		1,9 kg
Classe di sicurezza		□/II

- In conseguenza del nostro programma di ricerca e sviluppo continui, i dati tecnici nel presente manuale sono soggetti a modifiche senza preavviso.
- I dati tecnici possono variare da nazione a nazione.
- Peso in base alla procedura EPTA 01/2014

Utilizzo previsto

Questo utensile è progettato per il taglio di legno, plastica e materiali metallici. In conseguenza dell'ampio programma relativo agli accessori e alle lame, è possibile utilizzare l'utensile per numerosi scopi, ed è particolarmente adatto per tagli curvi o circolari.

Alimentazione

L'utensile deve essere collegato a una fonte di alimentazione con la stessa tensione indicata sulla targhetta del nome, e può funzionare solo a corrente alternata monofase. L'utensile è dotato di doppio isolamento, per cui può essere utilizzato con prese elettriche sprovviste di messa a terra.

Rumore

Livello tipico di rumore pesato A determinato in base allo standard EN62841-2-11:

Livello di pressione sonora (L_{pA}): 82 dB (A)

Livello di potenza sonora (L_{WA}): 93 dB (A)

Incertezza (K): 3 dB (A)

NOTA: Il valore o i valori dichiarati delle emissioni di rumori sono stati misurati in conformità a un metodo standard di verifica, e possono essere utilizzati per confrontare un utensile con un altro.

NOTA: Il valore o i valori dichiarati delle emissioni di rumori possono venire utilizzati anche per una valutazione preliminare dell'esposizione.

⚠AVVERTIMENTO: Indossare protezioni per le orecchie.

⚠AVVERTIMENTO: L'emissione di rumori durante l'utilizzo effettivo dell'utensile elettrico può variare rispetto al valore o ai valori dichiarati, a seconda dei modi in cui viene utilizzato l'utensile e specialmente a seconda di che tipo di pezzo venga lavorato.

⚠AVVERTIMENTO: Accertarsi di identificare misure di sicurezza per la protezione dell'operatore che siano basate su una stima dell'esposizione nelle condizioni effettive di utilizzo (tenendo conto di tutte le parti del ciclo operativo, ad esempio del numero di spegnimenti dell'utensile e di quando giri a vuoto, oltre al tempo di attivazione).

Vibrazioni

Valore totale delle vibrazioni (somma vettoriale triassiale) determinato in base allo standard EN62841-2-11:

Modalità di lavoro: taglio di pannelli

Emissione di vibrazioni ($a_{h,B}$): 8,0 m/s²

Incertezza (K): 1,5 m/s²

Modalità di lavoro: taglio di lamiera sottile

Emissione di vibrazioni ($a_{h,M}$): 5,0 m/s²

Incertezza (K): 1,5 m/s²

NOTA: Il valore o i valori complessivi delle vibrazioni dichiarati sono stati misurati in conformità a un metodo standard di verifica, e possono essere utilizzati per confrontare un utensile con un altro.

NOTA: Il valore o i valori complessivi delle vibrazioni dichiarati possono venire utilizzati anche per una valutazione preliminare dell'esposizione.

⚠AVVERTIMENTO: L'emissione delle vibrazioni durante l'utilizzo effettivo dell'utensile elettrico può variare rispetto al valore o ai valori dichiarati, a seconda dei modi in cui viene utilizzato l'utensile, specialmente a seconda di che tipo di pezzo venga lavorato.

⚠AVVERTIMENTO: Accertarsi di identificare misure di sicurezza per la protezione dell'operatore che siano basate su una stima dell'esposizione nelle condizioni effettive di utilizzo (tenendo conto di tutte le parti del ciclo operativo, ad esempio del numero di spegnimenti dell'utensile e di quando giri a vuoto, oltre al tempo di attivazione).

Dichiarazione di conformità CE

Solo per i paesi europei

La dichiarazione di conformità CE è inclusa nell'Allegato A al presente manuale di istruzioni.

Avvertenze generali relative alla sicurezza dell'utensile elettrico

⚠AVVERTIMENTO: Leggere tutte le avvertenze di sicurezza, le istruzioni, le illustrazioni e i dati tecnici forniti con il presente utensile elettrico. La mancata osservanza di tutte le istruzioni elencate di seguito potrebbe risultare in scosse elettriche, incendi e/o gravi lesioni personali.

Conservare tutte le avvertenze e le istruzioni come riferimento futuro.

Il termine "utensile elettrico" nelle avvertenze si riferisce sia all'utensile elettrico (cablato) nel funzionamento alimentato da rete elettrica che all'utensile elettrico (a batteria) nel funzionamento alimentato a batteria.

Avvertenze relative alla sicurezza del seghetto alternativo

1. **Tenere l'utensile elettrico per le superfici di impugnatura isolate, quando si esegue un'operazione in cui l'accessorio di taglio potrebbe entrare in contatto con fili elettrici nascosti o con il proprio cavo di alimentazione.** Un accessorio di taglio che entri in contatto con un filo elettrico sotto tensione potrebbe mettere sotto tensione le parti metalliche esposte dell'utensile elettrico e causare una scossa elettrica all'operatore.
2. **Utilizzare una morsa o un altro sistema pratico per fissare e supportare il pezzo in lavorazione su un piano stabile.** Il pezzo mantenuto con la mano o contro il corpo resta instabile, e potrebbe causare una perdita di controllo.
3. **Utilizzare sempre occhiali oppure occhialoni di protezione. I comuni occhiali da vista o da sole NON sono occhiali di protezione.**
4. **Evitare di tagliare chiodi. Ispezionare il pezzo in lavorazione e, in presenza di eventuali chiodi, rimuoverli prima di procedere.**

5. **Non tagliare pezzi eccessivamente grandi.**
6. **Verificare che sia presente uno spazio sufficiente al di là del pezzo in lavorazione, prima di tagliarlo, in modo che la lama non colpisca il pavimento, il banco da lavoro, e così via.**
7. **Mantenere saldamente l'utensile.**
8. **Accertarsi che la lama non sia in contatto con il pezzo in lavorazione, prima di attivare l'interruttore.**
9. **Tenere le mani lontane dalle parti mobili.**
10. **Non lasciare l'utensile mentre è in funzione. Far funzionare l'utensile solo mentre viene tenuto in mano.**
11. **Spegnere sempre l'utensile e attendere che la lama si sia arrestata completamente, prima di rimuoverla dal pezzo in lavorazione.**
12. **Non toccare la lama o il pezzo in lavorazione subito dopo l'operazione; la loro temperatura potrebbe essere estremamente elevata e potrebbero causare ustioni.**
13. **Non far funzionare inutilmente l'utensile a vuoto.**
14. **Alcuni materiali contengono sostanze chimiche che potrebbero essere tossiche. Fare attenzione a evitare l'inalazione delle polveri e il loro contatto con la pelle. Attenersi ai dati sulla sicurezza del fornitore dei materiali.**
15. **Usare sempre la mascherina antipolvere o il respiratore adatti al materiale e all'applicazione con cui si intende lavorare.**

CONSERVARE LE PRESENTI ISTRUZIONI.

⚠AVVERTIMENTO: NON lasciare che comodità o la familiarità d'utilizzo con il prodotto (acquisita con l'uso ripetuto) sostituisca la stretta osservanza delle norme di sicurezza per il prodotto in questione. L'USO IMPROPRIO o la mancata osservanza delle norme di sicurezza indicate nel presente manuale di istruzioni potrebbero causare gravi lesioni personali.

DESCRIZIONE DELLE FUNZIONI

⚠ATTENZIONE: Accertarsi sempre che l'utensile sia spento e scollegato dall'alimentazione prima di regolare o controllare le sue funzioni.

Selezione della modalità di taglio

► Fig.1: 1. Leva di modifica della modalità di taglio

È possibile far funzionare questo utensile con una modalità di taglio orbitale o in linea retta (in su e in giù). La modalità di taglio orbitale spinge la lama per seghetto alternativo in avanti nella corsa di taglio e incrementa notevolmente la velocità del taglio.

Per modificare la modalità di taglio, è sufficiente ruotare la leva di modifica della modalità di taglio sulla posizione della modalità di taglio desiderata. Per selezionare la modalità di taglio appropriata, fare riferimento alla tabella.

Posizione	Modalità di taglio	Applicazioni
0	Modalità di taglio in linea retta	Per tagliare acciaio dolce, acciaio inossidabile e materiali plastici. Per tagli puliti di legno e compensato.
I	Modalità di taglio a orbita piccola	Per tagliare acciaio dolce, alluminio e legno duro.
II	Modalità di taglio a orbita media	Per tagliare legno e compensato. Per tagliare velocemente alluminio e acciaio dolce.
III	Modalità di taglio a orbita grande	Per tagliare velocemente legno e compensato.

Funzionamento dell'interruttore

⚠ATTENZIONE: Prima di collegare l'utensile all'alimentazione elettrica, controllare sempre che l'interruttore a grilletto funzioni correttamente e che torni sulla posizione "OFF" quando viene rilasciato.

► Fig.2: 1. Interruttore a grilletto 2. Pulsante di sblocco

Per avviare l'utensile, è sufficiente premere l'interruttore a grilletto. La velocità dell'utensile aumenta di pari passo con l'incremento della pressione sull'interruttore a grilletto. Per arrestare l'utensile, rilasciare l'interruttore a grilletto.

Per il funzionamento continuo, premere l'interruttore a grilletto, far rientrare il tasto di blocco premendolo, quindi rilasciare l'interruttore a grilletto. Per arrestare l'utensile dalla posizione bloccata, premere a fondo l'interruttore a grilletto, quindi rilasciarlo.

MONTAGGIO

⚠ATTENZIONE: Accertarsi sempre che l'utensile sia spento e scollegato dall'alimentazione elettrica, prima di effettuare qualsiasi intervento su di esso.

Installazione o rimozione della lama per seghetto alternativo

⚠ATTENZIONE: Rimuovere sempre tutti i trucioli o il materiale estraneo che restino attaccati alla lama per seghetto alternativo e/o al portalama. In caso contrario, si potrebbe causare un serraggio insufficiente della lama, e di conseguenza gravi lesioni personali.

⚠ATTENZIONE: Non toccare la lama per seghetto alternativo o il pezzo in lavorazione subito dopo l'operazione. La loro temperatura potrebbe essere estremamente elevata e potrebbero causare ustioni.

⚠ATTENZIONE: Fissare sempre saldamente la lama per seghetto alternativo. Un serraggio insufficiente della lama potrebbe causarne la rottura o provocare gravi lesioni personali.

⚠ATTENZIONE: Utilizzare esclusivamente lame per seghetto alternativo di tipo B. L'utilizzo di lame diverse dal tipo B causa un serraggio insufficiente della lama, e di conseguenza gravi lesioni personali.

Per installare la lama per seghetto alternativo, allentare il bullone in senso antiorario sul portalama del seghetto alternativo mediante la chiave esagonale.

► Fig.3: 1. Portalama del seghetto alternativo
2. Bullone 3. Chiave esagonale

Con i denti della lama rivolti in avanti, inserire fino in fondo la lama per seghetto alternativo nel portalama del seghetto alternativo. Accertarsi che il bordo posteriore della lama entri nel rullo. Quindi, serrare il bullone in senso orario per fissare la lama.

► Fig.4: 1. Bullone 2. Rullo 3. Lama per seghetto alternativo

Per rimuovere la lama per seghetto alternativo, eseguire la procedura di installazione al contrario.

NOTA: Di tanto in tanto, lubrificare il rullo.

Conservazione della chiave esagonale

► Fig.5: 1. Gancio 2. Chiave esagonale

Quando non si utilizza la chiave esagonale, conservarla come indicato nella figura per evitare di perderla.

FUNZIONAMENTO

⚠ATTENZIONE: **Mantenere sempre la base a filo con il pezzo in lavorazione.** In caso contrario, si potrebbe causare la rottura della lama per seghetto alternativo, causando gravi lesioni personali.

⚠ATTENZIONE: **Far avanzare l'utensile molto lentamente durante il taglio di curve o volute.** La forzatura dell'utensile potrebbe causare una superficie di taglio storta e la rottura della lama per seghetto alternativo.

► **Fig.6:** 1. Linea di taglio 2. Base

Accendere l'utensile senza far entrare in contatto la lama per seghetto alternativo con il pezzo in lavorazione, e attendere che la lama abbia raggiunto la piena velocità. Quindi, appoggiare la base di piatto sul pezzo in lavorazione e spostare delicatamente l'utensile in avanti lungo la linea di taglio segnata in precedenza.

Taglio a unghia (inclinato)

⚠ATTENZIONE: **Accertarsi sempre che l'utensile sia spento e scollegato dall'alimentazione elettrica, prima di inclinare la base.**

⚠ATTENZIONE: **Sollevarne completamente la protezione antipolvere prima di effettuare tagli a unghia.**

Con la base inclinata, è possibile effettuare tagli a unghia a qualsiasi angolazione compresa tra 0° e 45° (a sinistra o a destra).

► **Fig.7**

Allentare il bullone sul retro della base con la chiave esagonale. Spostare la base in modo che il bullone sia posizionato al centro dell'apertura a forma di croce sulla base.

► **Fig.8:** 1. Chiave esagonale 2. Bullone 3. Base

Inclinare la base fino a ottenere l'angolo di taglio a unghia desiderato. Il bordo dell'alloggiamento del motore indica l'angolo di taglio a unghia mediante dei segni graduati. Quindi, serrare il bullone per fissare la base.

► **Fig.9:** 1. Bordo 2. Segno graduato

Tagli frontali a filo

► **Fig.10:** 1. Chiave esagonale 2. Bullone 3. Base

Allentare il bullone sul retro della base con la chiave esagonale, quindi far scivolare la base completamente all'indietro. Quindi, serrare il bullone per fissare la base.

Fori sagomati

È possibile praticare fori sagomati con due metodi, "Perforazione di un foro iniziale" o "Taglio a tuffo".

Perforazione di un foro iniziale

► **Fig.11**

Per fori sagomati interni senza un taglio di ingresso dal bordo, praticare prima un foro di inizio di 12 mm o più di diametro. Per iniziare a tagliare, inserire la lama per seghetto alternativo in tale foro.

Taglio a tuffo

► **Fig.12**

Non è necessario praticare un foro di inizio o effettuare un taglio di ingresso se si procede con cura nel modo seguente.

1. Inclinare l'utensile verso l'alto sul bordo anteriore della base, con la punta della lama per seghetto alternativo posizionata immediatamente al di sopra della superficie del pezzo in lavorazione.
2. Esercitare una pressione sull'utensile in modo che il bordo anteriore della base non si sposti quando si accende l'utensile, quindi abbassare delicatamente e lentamente l'estremità posteriore dell'utensile.
3. Man mano che la lama per seghetto alternativo perfora il pezzo in lavorazione, abbassare lentamente la base dell'utensile sulla superficie del pezzo in lavorazione.
4. Completare il taglio nel modo normale.

Finitura dei bordi

► **Fig.13**

Per rifinire i bordi o effettuare regolazioni alle dimensioni, passare leggermente la lama per seghetto alternativo lungo i bordi di taglio.

Taglio dei metalli

Quando si intende tagliare metalli, utilizzare sempre un refrigerante adatto (olio da taglio). La mancata osservanza di questa avvertenza causa una notevole usura della lama per seghetto alternativo. È possibile ingrassare la parte inferiore del pezzo in lavorazione, anziché utilizzare un refrigerante.

Estrazione delle polveri

► **Fig.14:** 1. Tubo flessibile

È possibile effettuare operazioni di taglio pulite collegando questo utensile a un aspirapolvere Makita. Inserire il tubo flessibile dell'aspirapolvere nel foro sul retro dell'utensile.

NOTA: Non è possibile effettuare l'estrazione delle polveri quando si intende effettuare tagli a unghia.

Guida di taglio

Accessorio opzionale

⚠ATTENZIONE: **Accertarsi sempre che l'utensile sia spento e scollegato dall'alimentazione elettrica, prima di installare o rimuovere gli accessori.**

Tagli diritti

Quando si intende effettuare dei tagli ripetuti di larghezza pari a 160 mm o inferiore, utilizzare la guida di taglio per assicurare dei tagli rapidi, puliti e diritti.

► **Fig.15:** 1. Guida di taglio (righello guida)

Per installare la guida di taglio, inserirla nel foro rettangolare sul lato della base con la guida parallela rivolta verso il basso. Far scivolare la guida di taglio sulla posizione della larghezza di taglio desiderata, quindi serrare il bullone per fissarla.

► **Fig.16:** 1. Chiave esagonale 2. Bullone 3. Guida parallela 4. Guida di taglio (righello guida)

Tagli circolari

Quando si intende effettuare tagli circolari o ad arco con raggio pari o inferiore a 170 mm, installare la guida di taglio nel modo seguente.

► **Fig.17:** 1. Guida di taglio (righello guida)

1. Inserire la guida di taglio nel foro rettangolare sul lato della base con la guida parallela rivolta verso l'alto.
2. Inserire il perno della guida circolare attraverso uno dei due fori sulla guida parallela. Avvitare il pomello filettato sul perno per fissare quest'ultimo.

► **Fig.18:** 1. Pomello filettato 2. Guida parallela
3. Guida di taglio (righello guida) 4. Perno

3. Far scivolare la guida di taglio sul raggio di taglio desiderato, quindi serrare il bullone per fissarla in sede. Quindi, spostare la base completamente in avanti.

NOTA: Utilizzare sempre lame per seghetto alternativo N. B-17, B-18, B-26 o B-27 quando si intende effettuare tagli circolari o ad arco.

Dispositivo antischeggiatura per la base in acciaio

Accessorio opzionale

► **Fig.19:** 1. Dispositivo antischeggiatura
2. Sporgenza

Per effettuare tagli privi di schegge, è possibile utilizzare il dispositivo antischeggiatura. Per installare il dispositivo antischeggiatura, spostare la base completamente in avanti e inserirlo tra le due sporgenze della base.

NOTA: Non è possibile utilizzare il dispositivo antischeggiatura quando si intende effettuare tagli a unghia.

MANUTENZIONE

⚠ATTENZIONE: Accertarsi sempre che l'utensile sia spento e scollegato dall'alimentazione elettrica, prima di tentare di eseguire interventi di ispezione o manutenzione.

AVVISO: Non utilizzare mai benzina, benzene, solventi, alcol o altre sostanze simili. In caso contrario, si potrebbero causare scolorimenti, deformazioni o crepe.

Per preservare la SICUREZZA e l'AFFIDABILITÀ del prodotto, le riparazioni, l'ispezione e la sostituzione delle spazzole in carbonio e qualsiasi altro intervento di manutenzione o di regolazione devono essere eseguiti da un centro di assistenza autorizzato Makita, utilizzando sempre ricambi Makita.

TECHNISCHE GEGEVENS

Model:		M4301
Slaglengte		18 mm
Type zaagblad		Type B
Max. zaagcapaciteiten	Hout	65 mm
	Zacht staal	6 mm
Aantal slagen per minuut (min ⁻¹)		0 - 3.100
Totale lengte		214 mm
Nettogewicht		1,9 kg
Veiligheidsklasse		□/II

- In verband met ononderbroken research en ontwikkeling behouden wij ons het recht voor bovenstaande technische gegevens te wijzigen zonder voorafgaande kennisgeving.
- De technische gegevens kunnen van land tot land verschillen.
- Gewicht volgens EPTA-procedure 01/2014

Bedoeld gebruik

Dit gereedschap is bedoeld voor het zagen van hout, kunststof en metaal. Door het uitgebreide assortiment accessoires en zaagbladen, kan het gereedschap worden gebruikt voor vele doeleinden en is het zeer geschikt voor gebogen of cirkelvormige zaagsneden.

Voeding

Het gereedschap mag alleen worden aangesloten op een voeding van dezelfde spanning als aangegeven op het typeplaatje, en kan alleen worden gebruikt op enkelfase-wisselstroom. Het gereedschap is dubbel-geïsoleerd en kan derhalve ook op een niet-geaard stopcontact worden aangesloten.

Geluidsniveau

De typische, A-gewogen geluidsniveaus zijn gemeten volgens EN62841-2-11:

Geluidsdrukniveau (L_{pA}): 82 dB (A)

Geluidsvermogeniveau (L_{WA}): 93 dB (A)

Onzekerheid (K): 3 dB (A)

OPMERKING: De opgegeven geluidsemissiewaarde(n) is/zijn gemeten volgens een standaardtestmethode en kan/kunnen worden gebruikt om dit gereedschap te vergelijken met andere gereedschappen.

OPMERKING: De opgegeven geluidsemissiewaarde(n) kan/kunnen ook worden gebruikt voor een beoordeling vooraf van de blootstelling.

⚠WAARSCHUWING: Draag gehoorbescherming.

⚠WAARSCHUWING: De geluidsemissie tijdens het gebruik van het elektrisch gereedschap in de praktijk kan verschillen van de opgegeven waarde(n) afhankelijk van de manier waarop het gereedschap wordt gebruikt, met name van het soort werkstuk waarmee wordt gewerkt.

⚠WAARSCHUWING: Zorg ervoor dat veiligheidsmaatregelen worden getroffen ter bescherming van de gebruiker die zijn gebaseerd op een schatting van de blootstelling onder praktijkomstandigheden (rekening houdend met alle fasen van de bedrijfscyclus, zoals de tijdsduur gedurende welke het gereedschap is uitgeschakeld en stationair draait, naast de ingeschakelde tijdsduur).

Trilling

De totale trillingswaarde (triaxiale vectorsom) zoals vastgesteld volgens EN62841-2-11:

Gebruikstoepassing: zagen van platen

Trillingsemissie ($a_{h,B}$): 8,0 m/s²

Onzekerheid (K): 1,5 m/s²

Gebruikstoepassing: zagen van plaatstaal

Trillingsemissie ($a_{h,M}$): 5,0 m/s²

Onzekerheid (K): 1,5 m/s²

OPMERKING: De totale trillingswaarde(n) is/zijn gemeten volgens een standaardtestmethode en kan/kunnen worden gebruikt om dit gereedschap te vergelijken met andere gereedschappen.

OPMERKING: De opgegeven totale trillingswaarde(n) kan/kunnen ook worden gebruikt voor een beoordeling vooraf van de blootstelling.

⚠️ WAARSCHUWING: De trillingsemisatie tijdens het gebruik van het elektrisch gereedschap in de praktijk kan verschillen van de opgegeven waarde(n) afhankelijk van de manier waarop het gereedschap wordt gebruikt, met name van het soort werkstuk waarmee wordt gewerkt.

⚠️ WAARSCHUWING: Zorg ervoor dat veiligheidsmaatregelen worden getroffen ter bescherming van de gebruiker die zijn gebaseerd op een schatting van de blootstelling onder praktijkomstandigheden (rekening houdend met alle fasen van de bedrijfscyclus, zoals de tijdsduur gedurende welke het gereedschap is uitgeschakeld en stationair draait, naast de ingeschakelde tijdsduur).

EG-verklaring van conformiteit

Alleen voor Europese landen

De EG-verklaring van conformiteit is bijgevoegd als Bijlage A bij deze gebruiksaanwijzing.

Algemene veiligheidswaarschuwingen voor elektrisch gereedschap

⚠️ WAARSCHUWING: Lees alle veiligheids- waarschuwingen, aanwijzingen, afbeeldingen en technische gegevens behorend bij dit elektrische gereedschap aandachtig door. Als u niet alle onderstaande aanwijzingen naleeft, kan dat resulteren in brand, elektrische schokken en/of ernstig letsel.

Bewaar alle waarschuwingen en instructies om in de toekomst te kunnen raadplegen.

De term "elektrisch gereedschap" in de veiligheidsvoorschriften duidt op gereedschappen die op stroom van het lichtnet werken (met snoer) of gereedschappen met een accu (snoerloos).

Veiligheidswaarschuwingen specifiek voor decoupeerzagen

1. **Houd elektrisch gereedschap vast aan het geïsoleerde oppervlak van de handgrepen wanneer u werkt op plaatsen waar het accessoire met verborgen bedrading of zijn eigen snoer in aanraking kan komen.** Wanneer het accessoire in aanraking komt met onder spanning staande draden, zullen de niet-geïsoleerde metalen delen van het gereedschap onder spanning komen te staan zodat de gebruiker een elektrische schok kan krijgen.
2. **Gebruik klemmen of andere bevestigingsmiddelen om het werkstuk op een stabiel platform te bevestigen en te ondersteunen.** Het werkstuk is onstabiel en er is gevaar voor controleverlies wanneer u het werkstuk met de hand vasthoudt of het tegen uw lichaam houdt.

3. **Draag altijd een veiligheidsbril of een beschermbril.** Een gewone bril of een zonnebril is GEEN veiligheidsbril.
4. **Vermijd het zagen op spijkers.** Inspecteer het werkstuk op eventuele spijkers en verwijder ze voordat u begint.
5. **Zaag geen werkstukken die te groot zijn.**
6. **Controleer vooraf of er voldoende ruimte voorbij het werkstuk is, zodat het zaagblad niet tegen de vloer, een werkbank e.d. zal stoten.**
7. **Houd het gereedschap stevig vast.**
8. **Zorg dat het zaagblad het werkstuk niet raakt voordat u de trekschakelaar indrukt.**
9. **Houd uw handen uit de buurt van bewegende delen.**
10. **Laat het gereedschap niet onnodig ingeschakeld.** Bedien het gereedschap alleen terwijl u het vasthoudt.
11. **Schakel het gereedschap uit en wacht totdat het zaagblad volledig tot stilstand is gekomen alvorens het zaagblad van het werkstuk te verwijderen.**
12. **Raak het zaagblad of het werkstuk niet aan onmiddellijk na het werk; deze kunnen gloeiend heet zijn en brandwonden veroorzaken.**
13. **Laat het gereedschap niet onbelast draaien wanneer zulks niet nodig is.**
14. **Sommige materialen bevatten chemische stoffen die giftig kunnen zijn.** Wees voorzichtig dat u geen stof inademt en het stof niet op uw huid komt. Volg de veiligheidsinstructies van de leverancier van het materiaal op.
15. **Draag altijd het stofmasker/gasmasker dat geschikt is voor het materiaal en de toepassing waarmee u werkt.**

BEWAAR DEZE INSTRUCTIES.

⚠️ WAARSCHUWING: Laat u NIET misleiden door een vals gevoel van comfort en bekendheid met het gereedschap (na veelvuldig gebruik) en neem alle veiligheidsvoorschriften van het betreffende gereedschap altijd strikt in acht. **VERKEERD GEBRUIK** of het niet naleven van de veiligheidsvoorschriften in deze gebruiksaanwijzing kan leiden tot ernstig persoonlijk letsel.

BESCHRIJVING VAN DE FUNCTIES

⚠ LET OP: Controleer altijd of het gereedschap is uitgeschakeld en de stekker ervan uit het stopcontact is verwijderd alvorens de functies op het gereedschap te controleren of af te stellen.

De zaagmethode selecteren

► Fig.1: 1. Zaagmethode-keuzehendel

Dit gereedschap kan worden ingesteld op een rechte (op- en neergaande) of pendelende zaagmethode. Bij de pendelende zaagmethode wordt het decoupeerzaagblad naar voren geduwd tijdens de zaagslag waardoor de zaagsnelheid sterk toeneemt.

Om de zaagmethode te veranderen, draait u de zaagmethode-keuzehendel naar de gewenste zaagmethodestand. Raadpleeg de tabel om de juiste zaagmethode te kiezen.

Stand	Zaagmethode	Toepassingen
0	Zagen langs rechte lijn	Voor het zagen van zacht staal, roestvrij staal en kunststoffen. Voor schone zaagsneden in hout en multiplex.
I	Zagen in een scherpe bocht	Voor het zagen van zacht staal, aluminium en hardhout.
II	Zagen in een normale bocht	Voor het zagen van hout en multiplex. Voor snel zagen in aluminium en zacht staal.
III	Zagen in een flauwe bocht	Voor het snel zagen van hout en multiplex.

De trekkerschakelaar gebruiken

⚠ LET OP: Controleer altijd, voordat u de stekker in het stopcontact steekt, of de trekkerschakelaar op de juiste manier schakelt en weer terugkeert naar de uit-stand nadat deze is losgelaten.

► Fig.2: 1. Trekkerschakelaar 2. Uit-vergrendelknop

Om het gereedschap in te schakelen, knijpt u gewoon de trekkerschakelaar in. Hoe groter de druk op de trekkerschakelaar, hoe hoger het toerental van het gereedschap. Laat de trekkerschakelaar los om het gereedschap te stoppen.

Om het gereedschap continu te laten werken, knijpt u eerst de trekkerschakelaar in, drukt u daarna de vergrendelknop in, en laat u tenslotte de trekkerschakelaar los. Om vanuit de vergrendelde werking het gereedschap te stoppen, knijpt u de trekkerschakelaar helemaal in en laat u deze vervolgens weer los.

MONTAGE

⚠ LET OP: Zorg altijd dat het gereedschap is uitgeschakeld en dat zijn stekker uit het stopcontact is verwijderd alvorens enig werk aan het gereedschap uit te voeren.

Het decoupeerzaagblad aanbrengen en verwijderen

⚠ LET OP: Verwijder altijd eerst alle houtsnippers en vreemde stoffen die aan het decoupeerzaagblad en/of de zaagbladhouder kleven. Als u dat niet doet is het mogelijk dat het zaagblad onvoldoende wordt vastgeklemd, wat kan leiden tot ernstig persoonlijk letsel.

⚠ LET OP: Raak de decoupeerzaagblad of het werkstuk niet onmiddellijk na gebruik aan. Deze kunnen bijzonder heet zijn en brandwonden op uw huid veroorzaken.

⚠ LET OP: Zet het decoupeerzaagblad altijd goed vast. Als het zaagblad onvoldoende goed is vastgezet, kan het breken en ernstig persoonlijk letsel ontstaan.

⚠ LET OP: Gebruik uitsluitend type B decoupeerzaagbladen. Als u een ander zaagblad dan type B gebruikt, wordt het zaagblad onvoldoende goed vastgezet, waardoor ernstig persoonlijk letsel kan worden veroorzaakt.

Om het decoupeerzaagblad te monteren, draait u de bout op de decoupeerzaagbladhouder met de inbussleutel linksom los.

► Fig.3: 1. Decoupeerzaagbladhouder 2. Bout 3. Inbussleutel

Terwijl de tanden van het zaagblad naar voren wijzen, steekt u het decoupeerzaagblad zo ver mogelijk in de decoupeerzaagbladhouder. Zorg ervoor dat de achterrand van het zaagblad in de rol past. Draai daarna de bout rechtsom vast om het zaagblad vast te zetten.

► Fig.4: 1. Bout 2. Rol 3. Decoupeerzaagblad

Om het decoupeerzaagblad te verwijderen, volgt u de procedure in omgekeerde volgorde.

OPMERKING: Smeer af en toe de rol.

Opbergplaats voor de inbussleutel

► Fig.5: 1. Haak 2. Inbussleutel

Wanneer de inbussleutel niet wordt gebruikt, bergt u hem op zoals aangegeven in de afbeelding zodat u hem niet verliest.

BEDIENING

⚠ LET OP: Houd de zool altijd vlak met het oppervlak van het werkstuk. Als u dat niet doet bestaat de kans dat het decoupeerzaagblad breekt, wat kan leiden tot ernstig persoonlijk letsel.

⚠ LET OP: Beweeg het gereedschap zeer langzaam vooruit tijdens het zagen van bochten en bij ornamentzagen. Als u het gereedschap dwingt, kan een schuin zaagoppervlak ontstaan en het decoupeerzaagblad breken.

► Fig.6: 1. Zaaglijn 2. Zool

Schakel het gereedschap in zonder dat het decoupeerzaagblad iets raakt en wacht tot het decoupeerzaagblad op volle snelheid is. Plaats daarna de zool vlak op het werkstuk en beweeg het gereedschap rustig naar voren langs een eerder aangebrachte zaaglijn.

Verticaal verstekzagen

⚠ LET OP: Controleer altijd of het gereedschap is uitgeschakeld en de stekker uit het stopcontact is getrokken alvorens de zool te kantelen.

⚠ LET OP: Zet het stofscherp helemaal omhoog voordat u verstekzaagt.

Met een gekantelde zool kunt u verstekzagen onder elke hoek tussen 0° en 45° (links of rechts).

► Fig.7

Draai de bout op de achterkant van de zool los met behulp van de inbussleutel. Verplaats de zool zodat de bout zich in het midden van de kruisvormige gleuf in de zool bevindt.

► Fig.8: 1. Inbussleutel 2. Bout 3. Zool

Kantel de zool tot de gewenste verstekhoek is bereikt. De zijrand van het motorhuis geeft de verstekhoek aan op een schaalverdeling. Draai daarna de bout vast om de zool vast te zetten.

► Fig.9: 1. Zijrand 2. Schaalverdeling

Zaagsneden tot aan de voorrand

► Fig.10: 1. Inbussleutel 2. Bout 3. Zool

Draai met de inbussleutel de bout op de onderkant van de zool los en schuif de zool helemaal naar achteren. Draai daarna de bout vast om de zool vast te zetten.

Uitsnijdingen

U kunt uitsnijdingen maken volgens twee methoden: "Een begingat boren" of "Invalzaagsnede".

Een begingat boren

► Fig.11

Voor uitsnijdingen midden in een werkstuk zonder in te zagen vanaf de rand, boort u vooraf een gat met een diameter van 12 mm of meer. Steek het decoupeerzaagblad in dit gat voordat u begint te zagen.

Invalzaagsnede

► Fig.12

U hoeft geen begingat te boren of vanaf de rand in te zagen als u voorzichtig als volgt te werk gaat.

1. Kantel het gereedschap op de voorrand van de zool met de punt van het decoupeerzaagblad vlak boven het oppervlak van het werkstuk.
2. Oefen druk uit op het gereedschap zodat de voorrand van de zool niet beweegt wanneer u het gereedschap inschakelt, en laat de achterkant van het gereedschap voorzichtig zakken.
3. Naarmate het decoupeerzaagblad het werkstuk doorboort, laat u de zool van het gereedschap langzaam zakken tot op het oppervlak van het werkstuk.
4. Maak de zaagsnede op de normale manier af.

Randen afwerken

► Fig.13

Om randen af te werken of afmetingen iets bij te zagen, beweegt u het decoupeerzaagblad licht langs de reeds gezaagde randen van het werkstuk.

Zagen van metaal

Gebruik voor zagen in metaal altijd een geschikt koelmiddel (snijolie). Als u dat niet doet, zal het decoupeerzaagblad sterk slijten. De onderkant van het werkstuk kan met vet worden ingesmeerd in plaats van een koelvloeistof te gebruiken.

Stofafzuiging

► Fig.14: 1. Slang

U kunt schoon zagen door een Makita-stofzuiger aan te sluiten op dit gereedschap. Steek de slang van de stofzuiger in het gat op de achterkant van het gereedschap.

OPMERKING: Stofafzuiging is niet mogelijk tijdens verstekzagen.

Breedtegeleider

Optioneel accessoire

⚠ LET OP: Controleer altijd of het gereedschap is uitgeschakeld en de stekker uit het stopcontact is getrokken voordat u accessoires aanbrengt of verwijdt.

Rechte zaagsneden

Als u herhaaldelijk een breedte van minder dan 160 mm moet afzagen, kunt u door de breedtegeleider te gebruiken snel, schoon en recht zagen.

► Fig.15: 1. Breedtegeleider (liniaal)

Om hem aan te brengen steekt u de breedtegeleider in de rechthoekige opening in de zijkant van de zool met de geleider omlaag gericht. Schuif de breedtegeleider naar de gewenste zaagbreedte en draai daarna de bout vast om hem vast te zetten.

► Fig.16: 1. Inbussleutel 2. Bout 3. Geleider
4. Breedtegeleider (liniaal)

Gebogen zaagsneden

Als u cirkels of bogen met een straal van 170 mm of minder wilt zagen, brengt u de breedtegeleider als volgt aan.

► **Fig.17:** 1. Breedtegeleider (liniaal)

1. Steek de breedtegeleider in de rechthoekige opening in de zijkant van de zool met de geleider omhoog gericht.

2. Steek de cirkelgeleidepen in een van de twee gaten in de geleider. Draai de knop met schroefdraad op de pen om deze vast te zetten.

► **Fig.18:** 1. Knop met schroefdraad 2. Geleider 3. Breedtegeleider (liniaal) 4. Pen

3. Schuif de breedtegeleider naar de gewenste zaagstraal en draai de bout vast om hem vast te zetten. Beweeg tenslotte de zool helemaal naar voren.

OPMERKING: Gebruik altijd decoupeerzaagblad nr. B-17, B-18, B-26 of B-27 voor het zagen van cirkels of bogen.

Antisplinterhulpstuk voor stalen zool

Optioneel accessoire

► **Fig.19:** 1. Antisplinterhulpstuk 2. Uitsteeksel

Voor zagen zonder splinters kunt u het antisplinterhulpstuk gebruiken. Om het antisplinterhulpstuk te monteren, zet u de zool in de voorste stand en plaatst u het hulpstuk tussen de twee uitsteeksels van de zool.

OPMERKING: Het antisplinterhulpstuk kan niet worden gebruikt bij verstekzagen.

ONDERHOUD

⚠ LET OP: Zorg altijd dat het gereedschap is uitgeschakeld en zijn stekker uit het stopcontact is verwijderd alvorens te beginnen met inspectie of onderhoud.

KENNISGEVING: Gebruik nooit benzine, wasbenzine, thinner, alcohol en dergelijke. Hierdoor kunnen verkleuring, vervormingen en barsten worden veroorzaakt.

Om de VEILIGHEID en BETROUWBAARHEID van het gereedschap te handhaven, dienen alle reparaties, inspectie en vervanging van de koolborstels, en alle andere onderhoudswerkzaamheden of afstellingen te worden uitgevoerd bij een erkend Makita-servicecentrum of Makita-fabrieksservicecentrum, en altijd met gebruik van Makita-vervangingsonderdelen.

ESPECIFICACIONES

Modelo:	M4301	
Longitud de carrera	18 mm	
Tipo de hoja de sierra	Tipo B	
Capacidades máximas de corte	Madera	65 mm
	Acero suave	6 mm
Carreras por minuto (min ⁻¹)	0 - 3.100	
Longitud total	214 mm	
Peso neto	1,9 kg	
Clase de seguridad	□/II	

- Debido a nuestro continuado programa de investigación y desarrollo, las especificaciones aquí dadas están sujetas a cambios sin previo aviso.
- Las especificaciones pueden ser diferentes de país a país.
- Peso de acuerdo con el procedimiento EPTA 01/2014

Uso previsto

La herramienta ha sido prevista para el serrado de madera y materiales de plástico y metal. Como resultado del programa extensivo para accesorios y hojas de sierra, la herramienta se puede utilizar para muchos propósitos y es muy apropiada para cortes curvos o circulares.

Alimentación

La herramienta deberá ser conectada solamente a una fuente de alimentación de la misma tensión que la indicada en la placa de características, y solamente puede ser utilizada con alimentación de CA monofásica. La herramienta tiene doble aislamiento y puede, por lo tanto, utilizarse también en tomas de corriente sin conductor de tierra.

Ruido

El nivel de ruido A-ponderado típico determinado de acuerdo con la norma EN62841-2-11:

Nivel de presión sonora (L_{pA}) : 82 dB (A)

Nivel de potencia sonora (L_{WA}) : 93 dB (A)

Error (K) : 3 dB (A)

NOTA: El valor (o los valores) de emisión de ruido declarado ha sido medido de acuerdo con un método de prueba estándar y se puede utilizar para comparar una herramienta con otra.

NOTA: El valor (o valores) de emisión de ruido declarado también se puede utilizar en una valoración preliminar de exposición.

⚠ADVERTENCIA: Póngase protectores para oídos.

⚠ADVERTENCIA: La emisión de ruido durante la utilización real de la herramienta eléctrica puede variar del valor (o los valores) de emisión declarado dependiendo de las formas en las que la herramienta sea utilizada, especialmente qué tipo de pieza de trabajo se procesa.

⚠ADVERTENCIA: Asegúrese de identificar medidas de seguridad para proteger al operario que estén basadas en una estimación de la exposición en las condiciones reales de utilización (teniendo en cuenta todas las partes del ciclo operativo como las veces cuando la herramienta está apagada y cuando está funcionando en vacío además del tiempo de gatillo).

Vibración

El valor total de la vibración (suma de vectores triaxiales) determinado de acuerdo con la norma EN62841-2-11:

Modo de trabajo: corte de tableros

Emisión de vibración ($a_{h,B}$): 8,0 m/s²

Error (K) : 1,5 m/s²

Modo de trabajo: corte de chapas de metal

Emisión de vibración ($a_{h,M}$): 5,0 m/s²

Error (K) : 1,5 m/s²

NOTA: El valor (o los valores) total de emisión de vibración declarado ha sido medido de acuerdo con un método de prueba estándar y se puede utilizar para comparar una herramienta con otra.

NOTA: El valor (o los valores) total de emisión de vibración declarado también se puede utilizar en una valoración preliminar de exposición.

⚠️ ADVERTENCIA: La emisión de vibración durante la utilización real de la herramienta eléctrica puede variar del valor (o los valores) de emisión declarado dependiendo de las formas en las que la herramienta sea utilizada, especialmente qué tipo de pieza de trabajo se procesa.

⚠️ ADVERTENCIA: Asegúrese de identificar medidas de seguridad para proteger al operario que estén basadas en una estimación de la exposición en las condiciones reales de utilización (teniendo en cuenta todas las partes del ciclo operativo como las veces cuando la herramienta está apagada y cuando está funcionando en vacío además del tiempo de gatillo).

Declaración CE de conformidad

Para países europeos solamente

La declaración CE de conformidad está incluida como Anexo A de esta manual de instrucciones.

Advertencias de seguridad para herramientas eléctricas en general

⚠️ ADVERTENCIA: Lea todas las advertencias de seguridad, instrucciones, ilustraciones y especificaciones provistas con esta herramienta eléctrica. Si no sigue todas las instrucciones indicadas abajo podrá resultar en una descarga eléctrica, un incendio y/o heridas graves.

Guarde todas las advertencias e instrucciones para futuras referencias.

El término "herramienta eléctrica" en las advertencias se refiere a su herramienta eléctrica de funcionamiento con conexión a la red eléctrica (con cable) o herramienta eléctrica de funcionamiento a batería (sin cable).

Advertencias de seguridad para la sierra caladora

1. Cuando realice una operación en la que el accesorio de corte pueda entrar en contacto con cableado oculto o su propio cable, sujete la herramienta eléctrica por las superficies de asiento aisladas. El contacto del accesorio de corte con un cable con corriente puede hacer que la corriente circule por las partes metálicas expuestas de la herramienta eléctrica y soltar una descarga eléctrica al operario.
2. Utilice mordazas u otros medios de sujeción prácticos para sujetar y apoyar la pieza de trabajo en una plataforma estable. Sujetada con la mano o contra su cuerpo, la pieza de trabajo estará inestable y podrá ocasionar la pérdida del control.
3. Utilice siempre gafas de seguridad o gafas de protección. Las gafas normales o de sol NO son gafas de seguridad.

4. Evite cortar clavos. Inspeccione la pieza de trabajo por si tiene algún clavo y retírelos antes de empezar la operación.
5. No corte piezas de trabajo sobredimensionadas.
6. Compruebe que hay espacio suficiente debajo de la pieza de trabajo antes de cortar, de forma que la hoja de sierra no golpee contra el suelo, el banco de trabajo, etc.
7. Sujete la herramienta firmemente.
8. Asegúrese de que la hoja de sierra no está tocando la pieza de trabajo antes de activar el interruptor.
9. Mantenga las manos alejadas de las partes en movimiento.
10. No deje la herramienta en marcha. Opere la herramienta solamente cuando la tenga sujeta con las manos.
11. Apague siempre la herramienta y espere hasta que la hoja de sierra se haya parado completamente antes de retirar la hoja de sierra de la pieza de trabajo.
12. No toque la hoja de sierra o la pieza de trabajo inmediatamente después de la operación; podrán estar muy calientes y quemarle la piel.
13. No utilice la herramienta sin carga innecesariamente.
14. Algunos materiales contienen sustancias químicas que podrán ser tóxicas. Tenga precaución para evitar la inhalación de polvo y el contacto con la piel. Siga los datos de seguridad del abastecedor del material.
15. Utilice siempre la mascarilla contra el polvo/ respirador correcto para el material y la aplicación con que esté trabajando.

GUARDE ESTAS INSTRUCCIONES.

⚠️ ADVERTENCIA: NO deje que la comodidad o familiaridad con el producto (a base de utilizarlo repetidamente) sustituya la estricta observancia de las normas de seguridad para el producto en cuestión. El MAL USO o el no seguir las normas de seguridad establecidas en este manual de instrucciones podrá ocasionar graves heridas personales.

DESCRIPCIÓN DEL FUNCIONAMIENTO

⚠PRECAUCIÓN: Asegúrese siempre de que la herramienta esté apagada y desenchufada antes de intentar realizar cualquier tipo de ajuste o comprobación en ella.

Selección de la acción de corte

► **Fig.1:** 1. Palanca de cambio de la acción de corte

Esta herramienta se puede operar con una acción de corte orbital o en línea recta (hacia arriba y hacia abajo). La acción de corte orbital empuja la hoja de sierra de calar hacia adelante en la carrera de corte y aumenta notablemente la velocidad de corte.

Para cambiar la acción de corte, simplemente gire la palanca de cambio de la acción de corte a la posición de la acción de corte deseada. Consulte la tabla para seleccionar la acción de corte apropiada.

Posición	Acción de corte	Aplicaciones
0	Acción de corte en línea recta	Para cortar acero suave, acero inoxidable y plásticos. Para cortes limpios en madera y contrachapado.
I	Acción de corte de órbita pequeña	Para cortar acero suave, aluminio y madera dura.
II	Acción de corte de órbita media	Para cortar madera y contrachapado. Para cortar rápido en aluminio y acero suave.
III	Acción de corte de órbita grande	Para cortar rápido en madera y contrachapado.

Accionamiento del interruptor

⚠PRECAUCIÓN: Antes de enchufar la herramienta, compruebe siempre para cerciorarse de que el gatillo interruptor se acciona debidamente y que vuelve a la posición "OFF" cuando lo suelta.

► **Fig.2:** 1. Gatillo interruptor 2. Botón de desbloqueo

Para poner en marcha la herramienta, simplemente apriete el gatillo interruptor. La velocidad de la herramienta se incrementa aumentando la presión en el gatillo interruptor. Suelte el gatillo interruptor para parar.

Para una operación continua, apriete el gatillo interruptor, presione hacia dentro el botón de bloqueo y después suelte el gatillo interruptor. Para parar la herramienta desde la posición bloqueada, apriete el gatillo interruptor a tope, después suéltelo.

MONTAJE

⚠PRECAUCIÓN: Asegúrese siempre de que la herramienta esté apagada y desenchufada antes de realizar cualquier trabajo en la herramienta.

Instalación o desmontaje de la hoja de sierra de calar

⚠PRECAUCIÓN: Limpie siempre todas las virutas y materias extrañas adheridas a la hoja de sierra de calar y/o el porta hoja de sierra. En caso contrario, la hoja de sierra podrá quedar insuficientemente apretada, pudiendo resultar en heridas personales graves.

⚠PRECAUCIÓN: No toque la hoja de sierra de calar o la pieza de trabajo inmediatamente después de la operación. Podrán estar muy calientes y quemarle la piel.

⚠PRECAUCIÓN: Sujete siempre la hoja de sierra de calar firmemente. Un apretado insuficiente de la hoja de sierra podrá ocasionar la rotura de la hoja de sierra o heridas personales graves.

⚠PRECAUCIÓN: Utilice solamente hojas de sierra de calar de tipo B. La utilización de hojas de sierra distintas de las de tipo B puede ocasionar un apretado insuficiente de la hoja de sierra, resultando en heridas personales graves.

Para instalar la hoja de sierra de calar, afloje hacia la izquierda el perno del porta hoja de sierra de calar con la llave hexagonal.

► **Fig.3:** 1. Porta hoja de sierra de calar 2. Perno 3. Llave hexagonal

Con los dientes de la hoja de sierra orientados hacia adelante inserte la hoja de sierra de calar en el porta hoja de sierra de calar a fondo. Asegúrese de que el borde trasero de la hoja de sierra encaja en el rodillo. Después apriete el perno hacia la derecha para sujetar la hoja de sierra.

► **Fig.4:** 1. Perno 2. Rodillo 3. Hoja de sierra de calar

Para desmontar la hoja de sierra de calar, siga el procedimiento de instalación a la inversa.

NOTA: Lubrique el rodillo de vez en cuando.

Para guardar la llave hexagonal

► **Fig.5:** 1. Gancho 2. Llave hexagonal

Cuando no la esté utilizando, guarde la llave hexagonal como se muestra en la figura para evitar perderla.

OPERACIÓN

⚠️ PRECAUCIÓN: Sujete siempre la base al ras con la pieza de trabajo. En caso contrario podrá ocasionar la rotura de la hoja de sierra de calar, resultando en heridas graves.

⚠️ PRECAUCIÓN: Avance la herramienta muy despacio cuando corte curvas o en vertical. Si fuerza la herramienta podrá ocasionar una superficie de corte sesgada y la rotura de la hoja de sierra de calar.

► Fig.6: 1. Línea de corte 2. Base

Encienda la herramienta sin que la hoja de sierra de calar esté haciendo contacto alguno y espere hasta que la hoja de sierra alcance plena velocidad. Después apoye la base nivelada sobre la pieza de trabajo y mueva la herramienta despacio hacia adelante a lo largo de la línea de corte marcada previamente.

Corte en bisel

⚠️ PRECAUCIÓN: Asegúrese siempre de que la herramienta está apagada y desenchufada antes de inclinar la base.

⚠️ PRECAUCIÓN: Suba el guardapolvo a tope antes de hacer cortes en bisel.

Con la base inclinada, usted puede hacer cortes en bisel a cualquier ángulo entre 0° y 45° (izquierdo o derecho).

► Fig.7

Afloje el perno de la parte trasera de la base con la llave hexagonal. Mueva la base de forma que el perno quede posicionado en el centro de la ranura con forma de cruz en la base.

► Fig.8: 1. Llave hexagonal 2. Perno 3. Base

Incline la base hasta obtener el ángulo de bisel deseado. El borde del alojamiento del motor indica el ángulo de bisel en graduaciones. Después apriete el perno para sujetar la base.

► Fig.9: 1. Borde 2. Graduación

Cortes a ras delantero

► Fig.10: 1. Llave hexagonal 2. Perno 3. Base

Afloje el perno de la parte trasera de la base con la llave hexagonal y deslice la base hacia atrás a tope. Después apriete el perno para sujetar la base.

Recortes

Los recortes se pueden hacer con cualquiera de los dos métodos "Perforando un agujero de inicio" o "Corte por hundimiento".

Perforando un agujero de inicio

► Fig.11

Para recortes internos sin un corte de entrada desde un borde, perforo previamente un agujero de inicio de 12 mm o más de diámetro. Inserte la hoja de sierra de calar en este agujero para comenzar el corte.

Corte por hundimiento

► Fig.12

No necesita hacer un agujero de inicio o un corte de entrada si hace cuidadosamente lo siguiente.

1. Inclina la herramienta hacia arriba sobre el borde delantero de la base con la punta de la hoja de sierra de calar posicionada justo por encima de la pieza de trabajo.
2. Aplique presión a la herramienta de forma que el borde delantero de la base no se mueva cuando usted encienda la herramienta y baje suavemente y con cuidado el extremo trasero de la herramienta.
3. A medida que la hoja de sierra de calar atraviesa la pieza de trabajo, vaya bajando despacio la base de la herramienta sobre la superficie de la pieza de trabajo.
4. Complete el corte de la manera normal.

Acabado de bordes

► Fig.13

Para recortar los bordes o hacer ajustes dimensionales, pase la hoja de sierra de calar ligeramente a lo largo de los bordes del corte.

Corte de metal

Utilice siempre un refrigerante apropiado (aceite para cortar) cuando corte metal. De no hacerlo ocasionará un desgaste significativo de la hoja de sierra de calar. Se puede poner grasa en la parte inferior de la pieza de trabajo en lugar de utilizar un refrigerante.

Extracción de polvo

► Fig.14: 1. Manguera

Se pueden realizar operaciones de corte limpias conectando esta herramienta a un aspirador de Makita. Inserte la manguera del aspirador en el agujero de la parte trasera de la herramienta.

NOTA: La extracción de polvo no se puede realizar cuando se hacen cortes en bisel.

Guía lateral

Accesorios opcionales

⚠️ PRECAUCIÓN: Asegúrese siempre de que la herramienta está apagada y desenchufada antes de instalar o desmontar accesorios.

Cortes rectos

Cuando se hagan cortes repetidos de anchuras de 160 mm o menos, la utilización de la guía lateral garantizará cortes rápidos, limpidos y rectos.

► Fig.15: 1. Guía lateral (Regla guía)

Para instalar, inserte la guía lateral en el agujero rectangular del costado de la base con el orientador de guía lateral hacia abajo. Deslice la guía lateral hasta la posición de la anchura de corte deseada, después apriete el perno para sujetarla.

► Fig.16: 1. Llave hexagonal 2. Perno 3. Orientador de guía lateral 4. Guía lateral (Regla guía)

Cortes circulares

Cuando corte círculos o arcos de 170 mm o menos de radio, instale la guía lateral de la forma siguiente.

► **Fig.17:** 1. Guía lateral (Regla guía)

1. Inserte la guía lateral en el agujero rectangular del costado de la base con el orientador de la guía lateral orientado hacia arriba.

2. Inserte el pasador de la guía circular a través de uno de los dos agujeros del orientador de la guía lateral. Rosque el pomo roscado en el pasador para sujetar el pasador.

► **Fig.18:** 1. Pomo roscado 2. Orientador de guía lateral 3. Guía lateral (Regla guía) 4. Pasador

3. Deslice la guía lateral hasta el radio de corte deseado, y apriete el perno para sujetarla en su sitio. Después mueva la base hacia adelante a tope.

NOTA: Utilice siempre hojas de sierra de calar N.º B-17, B-18, B-26 o B-27 cuando corte círculos o arcos.

Dispositivo anti astillado para la base metálica

Accesorios opcionales

► **Fig.19:** 1. Dispositivo anti astillado 2. Protuberancia

Para cortes libres de astillado, se puede utilizar el dispositivo anti astillado. Para instalar el dispositivo anti astillado, mueva la base hacia adelante a tope e insértele entre las dos protuberancias de la base.

NOTA: El dispositivo anti astillado no se puede utilizar cuando se hacen cortes en bisel.

MANTENIMIENTO

⚠PRECAUCIÓN: Asegúrese siempre de que la herramienta está apagada y desenchufada antes de intentar realizar la inspección o el mantenimiento.

AVISO: No utilice nunca gasolina, bencina, disolvente, alcohol o similares. Podría producir descoloración, deformación o grietas.

Para mantener la SEGURIDAD y FIABILIDAD del producto, las reparaciones, la inspección y el reemplazo de la escobilla de carbón, y cualquier otra tarea de mantenimiento o ajuste deberán ser realizados en centros de servicio autorizados o de fábrica de Makita, empleando siempre repuestos Makita.

ESPECIFICAÇÕES

Modelo:		M4301
Comprimento de corte		18 mm
Tipo de serra		Tipo B
Capacidade máx. de corte	Madeira	65 mm
	Aço macio	6 mm
Golpes por minuto (min ⁻¹)		0 - 3.100
Comprimento geral		214 mm
Peso líquido		1,9 kg
Classe de segurança		□/II

- Devido a um programa contínuo de pesquisa e desenvolvimento, estas especificações podem ser alteradas sem aviso prévio.
- As especificações podem variar de país para país.
- Peso de acordo com o Procedimento EPTA 01/2014

Utilização pretendida

Esta ferramenta destina-se ao corte de madeira, plástico e materiais metálicos. Como resultado dos acessórios extensivos e do programa da serra para cortar, a ferramenta pode ser utilizada para vários fins e é bastante adequada para cortes curvos ou circulares.

Alimentação

A ferramenta só deve ser ligada a uma fonte de alimentação com a mesma tensão da indicada na placa de características, e só funciona com alimentação de corrente alternada (CA) monofásica. Tem um sistema de isolamento duplo e pode, por isso, utilizar tomadas sem ligação à terra.

Ruído

A característica do nível de ruído A determinado de acordo com a EN62841-2-11:

Nível de pressão acústica (L_{pA}): 82 dB (A)

Nível de potência acústica (L_{WA}): 93 dB (A)

Variabilidade (K): 3 dB (A)

NOTA: O(s) valor(es) da emissão de ruído indicado(s) foi medido de acordo com um método de teste padrão e pode ser utilizado para comparar duas ferramentas.

NOTA: O(s) valor(es) da emissão de ruído indicado(s) pode também ser utilizado na avaliação preliminar da exposição.

AVISO: Utilize protetores auriculares.

AVISO: A emissão de ruído durante a utilização real da ferramenta elétrica pode diferir do(s) valor(es) indicado(s), dependendo das formas como a ferramenta é utilizada, especialmente o tipo de peça de trabalho que é processada.

AVISO: Certifique-se de identificar as medidas de segurança para proteção do operador que sejam baseadas em uma estimativa de exposição em condições reais de utilização (considerando todas as partes do ciclo de operação, tal como quando a ferramenta está desligada e quando está a funcionar em marcha lenta além do tempo de acionamento).

Vibração

Valor total da vibração (soma vetorial tri-axial) determinado de acordo com a EN62841-2-11:

Modo de trabalho: cortar tábuas

Emissão de vibração ($a_{h,B}$): 8,0 m/s²

Variabilidade (K): 1,5 m/s²

Modo de trabalho: cortar folha metálica

Emissão de vibração ($a_{h,M}$): 5,0 m/s²

Variabilidade (K): 1,5 m/s²

NOTA: O(s) valor(es) total(ais) de vibração indicado(s) foi medido de acordo com um método de teste padrão e pode ser utilizado para comparar duas ferramentas.

NOTA: O(s) valor(es) total(ais) de vibração indicado(s) pode também ser utilizado na avaliação preliminar da exposição.

⚠AVISO: A emissão de vibração durante a utilização real da ferramenta elétrica pode diferir do(s) valor(es) indicado(s), dependendo das formas como a ferramenta é utilizada, especialmente o tipo de peça de trabalho que é processada.

⚠AVISO: Certifique-se de identificar as medidas de segurança para proteção do operador que sejam baseadas em uma estimativa de exposição em condições reais de utilização (considerando todas as partes do ciclo de operação, tal como quando a ferramenta está desligada e quando está a funcionar em marcha lenta além do tempo de acionamento).

Declaração de conformidade da CE

Apenas para os países europeus

A declaração de conformidade da CE está incluída como Anexo A neste manual de instruções.

Avisos gerais de segurança para ferramentas elétricas

⚠AVISO: Leia todos os avisos de segurança, instruções, ilustrações e especificações fornecidos com esta ferramenta elétrica. O não cumprimento de todas as instruções indicadas em baixo pode resultar em choque elétrico, incêndio e/ou ferimentos graves.

Guarde todos os avisos e instruções para futuras referências.

O termo “ferramenta elétrica” nos avisos refere-se às ferramentas elétricas ligadas à corrente elétrica (com cabo) ou às ferramentas elétricas operadas por meio de bateria (sem cabo).

Avisos de segurança da serra tico-tico

1. **Segure na ferramenta elétrica pelas superfícies de aderência isoladas quando executar uma operação em que o acessório de corte possa entrar em contacto com fios ocultos ou com o seu próprio cabo.** O contacto do acessório de corte com um fio elétrico “sob tensão” pode tornar as partes metálicas expostas da ferramenta elétrica “sob tensão” e pode causar um choque elétrico ao operador.
2. **Utilize grampos ou qualquer outro modo prático para prender e suportar a peça de trabalho numa superfície estável.** Segurar na peça de trabalho com a mão ou contra o corpo deixa-a instável e pode levar à perda de controlo.
3. **Utilize sempre óculos de segurança. Os óculos normais ou de sol NÃO são óculos de segurança.**
4. **Evite cortar pregos.** Inspeccione a peça de trabalho e se tiver pregos, tire-os antes da operação.

5. **Não corte peças de trabalho de tamanho muito grande.**
6. **Verifique se tem a folga adequada sob a peça de trabalho antes de cortar, de modo a que a serra não bata no chão, bancada, etc.**
7. **Segure firmemente na ferramenta.**
8. **Certifique-se de que a serra não está em contacto com a peça de trabalho antes de ligar o interruptor.**
9. **Mantenha as mãos afastadas das partes em movimento.**
10. **Não deixe a ferramenta a funcionar. Utilize a ferramenta apenas quando estiver na sua mão.**
11. **Desligue sempre e espere que a serra pare completamente antes de retirar a serra da peça de trabalho.**
12. **Não toque na serra ou na peça de trabalho imediatamente a seguir à operação pois podem estar extremamente quentes e provocar queimaduras.**
13. **Não utilize com a ferramenta em vazio desnecessariamente.**
14. **Alguns materiais contêm químicos que podem ser tóxicos. Tome todas as precauções para impedir a inalação de poeiras e o contacto com a pele. Siga os dados de segurança do fornecedor do material.**
15. **Utilize sempre a máscara de pó/respirador correto para o material e a aplicação com que está a trabalhar.**

GUARDE ESTAS INSTRUÇÕES.

⚠AVISO: NÃO permita que o conforto ou familiaridade com o produto (adquirido com o uso repetido) substitua o cumprimento estrito das regras de segurança da ferramenta. A MÁ INTERPRETAÇÃO ou o não seguimento das regras de segurança estabelecidas neste manual de instruções pode provocar ferimentos pessoais graves.

DESCRIÇÃO FUNCIONAL

⚠️ PRECAUÇÃO: Certifique-se sempre de que a ferramenta está desligada e com a ficha retirada da tomada, antes de proceder a afinações ou de verificar o funcionamento da respetiva ferramenta.

Selecionar a ação de corte

► **Fig.1:** 1. Alavanca de mudança da ação de corte

Esta ferramenta pode ser operada com uma ação de corte orbital ou em linha reta (cima e baixo). A ação de corte orbital impulsiona a serra para contornar para a frente no curso do corte e aumenta em grande parte a velocidade de corte.

Para mudar a ação de corte, rode a alavanca de mudança da ação de corte para a posição de ação de corte pretendida. Consulte a tabela para selecionar a ação de corte adequada.

Posição	Ação de corte	Aplicações
0	Ação de corte em linha reta	Para cortar aço macio, aço inoxidável e plásticos. Para cortes simples em madeira e madeira prensada.
I	Ação de corte orbital pequeno	Para cortar aço macio, alumínio e madeira dura.
II	Ação de corte orbital médio	Para cortar madeira e madeira prensada. Para cortes rápidos em alumínio e aço macio.
III	Ação de corte orbital grande	Para cortes rápidos em madeira e madeira prensada.

Ação do interruptor

⚠️ PRECAUÇÃO: Antes de ligar a ferramenta à corrente, verifique sempre se o gatilho funciona corretamente e volta para a posição “OFF” quando libertado.

► **Fig.2:** 1. Gatilho 2. Botão de desbloqueio

Para acionar a ferramenta, puxe o gatilho. A velocidade da ferramenta aumenta à medida que se vai aumentando a pressão no gatilho. Liberte o gatilho para parar.

Para funcionamento contínuo, puxe o gatilho, empurre o botão de bloqueio e solte o gatilho. Para parar a ferramenta a partir da posição de bloqueada, puxe o gatilho até ao fim, depois solte-o.

MONTAGEM

⚠️ PRECAUÇÃO: Certifique-se sempre de que a ferramenta está desligada e com a ficha retirada da tomada antes de executar quaisquer trabalhos na ferramenta.

Instalar ou remover a serra para contornar

⚠️ PRECAUÇÃO: Limpe sempre todas as aparas ou matérias estranhas que se tenham colado à serra para contornar e/ou ao suporte da serra. O não cumprimento desta recomendação, pode causar aperto insuficiente da serra resultando em ferimentos pessoais graves.

⚠️ PRECAUÇÃO: Não toque na serra para contornar nem na peça de trabalho imediatamente a seguir à operação. Podem estar extremamente quentes e provocar queimaduras na pele.

⚠️ PRECAUÇÃO: Fixe sempre firmemente a serra para contornar. Um aperto insuficiente da serra pode provocar a quebra da serra ou ferimentos pessoais graves.

⚠️ PRECAUÇÃO: Utilize apenas serras para contornar do tipo B. A utilização de serras sem ser do tipo B provoca um aperto insuficiente da serra, resultando em ferimentos pessoais graves.

Para instalar a serra para contornar, solte o perno desatando-o para a esquerda no suporte da serra para contornar com a chave sextavada.

► **Fig.3:** 1. Suporte da serra para contornar 2. Perno 3. Chave sextavada

Com os dentes da serra virados para a frente, insira a serra para contornar no suporte da serra para contornar o mais fundo possível. Certifique-se de que a extremidade traseira da serra encaixa no rolo. Depois, aperte o perno para a direita para fixar a serra.

► **Fig.4:** 1. Perno 2. Rolo 3. Serra para contornar

Para remover a serra para contornar, siga o procedimento de instalação pela ordem inversa.

NOTA: Lubrifique o rolo ocasionalmente.

Guardar a chave sextavada

► **Fig.5:** 1. Gancho 2. Chave sextavada

Quando não estiver a ser usada, guarde a chave sextavada como indicado na figura, para evitar que se perca.

OPERAÇÃO

⚠️ PRECAUÇÃO: Segure sempre a base à face da peça de trabalho. O não cumprimento desta recomendação, pode provocar a quebra da serra para contornar resultando em ferimentos graves.

⚠️ PRECAUÇÃO: Avance a ferramenta muito lentamente quando cortar curvas ou rolos. Forçar a ferramenta pode provocar uma superfície de corte inclinada e a quebra da serra para contornar.

► Fig.6: 1. Linha de corte 2. Base

Ligue a ferramenta sem que a serra para contornar esteja em contacto com algum material e aguarde até que a serra atinja a velocidade máxima. Depois, encoste a base nivelada na peça de trabalho e mova suavemente a ferramenta para a frente ao longo da linha de corte marcada previamente.

Corte em bisel

⚠️ PRECAUÇÃO: Certifique-se sempre de que a ferramenta está desativada e desligada da corrente antes de inclinar a base.

⚠️ PRECAUÇÃO: Levante a cobertura contra poeiras até ao fim antes de fazer cortes em bisel.

Com a base inclinada, pode fazer cortes em bisel em qualquer ângulo entre 0° e 45° (esquerda ou direita).
► Fig.7

Solte o perno na parte de trás da base com a chave sextavada. Mova a base de forma a que o perno fique posicionado no centro da ranhura em cruz na base.

► Fig.8: 1. Chave sextavada 2. Perno 3. Base

Incline a base até obter o ângulo de bisel pretendido. A extremidade da caixa do motor indica o ângulo de bisel por graduação. Depois, aperte o perno para fixar a base.

► Fig.9: 1. Extremidade 2. Graduação

Cortes à face dianteiros

► Fig.10: 1. Chave sextavada 2. Perno 3. Base

Solte o perno na parte de trás da base com a chave sextavada e deslize a base para trás até ao fim. Depois, aperte o perno para fixar a base.

Recortes

Os recortes podem ser feitos por meio de um de dois métodos: "perfurar um orifício para início" ou "corte penetrante".

Perfurar um orifício para início

► Fig.11

Para recortes internos sem um corte de entrada a partir de uma extremidade, fure previamente um orifício para início com 12 mm de diâmetro ou mais. Insira a serra para contornar dentro deste furo para iniciar o corte.

Corte penetrante

► Fig.12

Não é necessário furar um orifício para início nem fazer um corte de entrada se fizer cuidadosamente o seguinte.

1. Incline a ferramenta para cima na extremidade dianteira da base com a ponta da serra para contornar posicionada logo acima da superfície da peça de trabalho.
2. Aplique pressão na ferramenta para que a extremidade dianteira da base não se mova quando ligar a ferramenta, e baixe suave e lentamente a extremidade traseira da ferramenta.
3. À medida que a serra para contornar fura a peça de trabalho, baixe lentamente a base da ferramenta em direção à superfície da peça de trabalho.
4. Complete o corte da forma normal.

Acabamento das extremidades

► Fig.13

Para fazer o acabamento das extremidades ou para fazer ajustes dimensionais, passe a serra para contornar levemente ao longo das extremidades do corte.

Corte de metal

Utilize sempre um refrigerante adequado (óleo de corte) quando cortar metal. O não cumprimento desta recomendação pode provocar um desgaste significativo da serra para contornar. A parte inferior da peça de trabalho pode ser oleada, em vez de utilizar refrigerante.

Extração de poeira

► Fig.14: 1. Mangueira

As operações de corte limpas podem ser realizadas ligando esta ferramenta a um aspirador Makita. Insira a mangueira do aspirador dentro do orifício na parte de trás da ferramenta.

NOTA: A extração de poeira não pode ser realizada quando se realizam cortes em bisel.

Guia paralela

Acessório opcional

⚠️ PRECAUÇÃO: Certifique-se sempre de que a ferramenta está desativada e desligada da corrente antes de instalar ou remover acessórios.

Cortes retos

Quando cortar repetidamente larguras de corte com 160 mm ou menos, a utilização da guia paralela assegura cortes rápidos, limpos e retos.

► Fig.15: 1. Guia paralela (régua guia)

Para instalar, insira a guia paralela dentro do orifício retangular na lateral da base com a guia da régua virada para baixo. Deslize a guia paralela para a posição de largura de corte pretendida e aperte o perno para a prender.

► Fig.16: 1. Chave sextavada 2. Perno 3. Guia da régua 4. Guia paralela (régua guia)

Cortes circulares

Quando cortar círculos ou arcos com 170 mm ou menos de raio, instale a guia paralela como se segue.

► **Fig.17:** 1. Guia paralela (régua guia)

1. Insira a guia paralela dentro do orifício retangular na lateral da base com a guia da régua virada para cima.

2. Insira o pino da guia circular através de qualquer um dos dois orifícios na guia da régua. Aparafuse o botão roscado no pino para o fixar.

► **Fig.18:** 1. Botão roscado 2. Guia da régua 3. Guia paralela (régua guia) 4. Pino

3. Deslize a guia paralela para o raio de corte pretendido e aperte o perno para a prender no lugar. Depois, mova a base para a frente até ao fim.

NOTA: Utilize sempre serra para contornar n.º B-17, B-18, B-26 ou B-27 quando cortar círculos ou arcos.

Dispositivo anti-farpas para base de aço

Acessório opcional

► **Fig.19:** 1. Dispositivo anti-farpas 2. Saliência

Para obter cortes sem farpas, pode utilizar o dispositivo anti-farpas. Para instalar o dispositivo anti-farpas, mova a base para a frente até ao fim e insira-o entre as duas saliências da base.

NOTA: O dispositivo anti-farpas não pode ser utilizado quando se realizam cortes em bisel.

MANUTENÇÃO

⚠ PRECAUÇÃO: Certifique-se sempre de que a ferramenta está desligada e com a ficha retirada da tomada antes de tentar proceder à inspeção ou à manutenção.

OBSERVAÇÃO: Nunca utilize gasolina, benzina, diluente, álcool ou produtos semelhantes. Pode ocorrer a descoloração, deformação ou rachaduras.

Para manter a SEGURANÇA e a FIABILIDADE do produto, as reparações, a inspeção e substituição das escovas de carvão e qualquer outra manutenção ou ajuste devem ser levados a cabo pelos centros de assistência autorizados ou pelos centros de assistência de fábrica Makita, utilizando sempre peças de substituição Makita.

SPECIFIKATIONER

Model:		M4301
Slaglængde		18 mm
Klingetype		Type B
Maks. skærekapacitet	Træ	65 mm
	Almindeligt stål	6 mm
Antal slag pr. minut (min ⁻¹)		0 - 3.100
Længde i alt		214 mm
Nettovægt		1,9 kg
Sikkerhedsklasse		□/II

- På grund af vores kontinuerlige forsknings- og udviklingsprogrammer kan hosstående specifikationer blive ændret uden varsel.
- Specifikationer kan variere fra land til land.
- Vægt i henhold til EPTA-procedure 01/2014

Tilsigtet brug

Maskinen er beregnet til savning i træ, plast og metal-materialer. Takket være det store udvalg af tilbehør og savklinger kan maskinen anvendes til mange formål, og den er yderst velegnet til buede eller cirkulære snit.

Strømforsyning

Maskinen må kun tilsluttes en strømforsyning med samme spænding som angivet på typeskiltet og kan kun anvendes på enfaset vekselstrømforsyning. Den er dobbeltisoleret og kan derfor også tilsluttes netstik uden jordforbindelse.

Lyd

Det typiske A-vægtede støjniveau bestemt i overensstemmelse med EN62841-2-11:

Lydtryksniveau (L_{pA}): 82 dB (A)

Lydeffektniveau (L_{WA}): 93 dB (A)

Usikkerhed (K): 3 dB (A)

BEMÆRK: De(n) angivne støjemissionsværdi(er) er målt i overensstemmelse med en standardtestmetode og kan anvendes til at sammenligne en maskine med en anden.

BEMÆRK: De(n) angivne støjemissionsværdi(er) kan også anvendes i en præliminær eksponeringsvurdering.

⚠ ADVARSEL: Bær høreværn.

⚠ ADVARSEL: Støjemissionen under den faktiske anvendelse af maskinen kan være forskellig fra de(n) angivne værdi(er), afhængigt af den måde hvorpå maskinen anvendes, især den type arbejdsemne der behandles.

⚠ ADVARSEL: Sørg for at identificere de sikkerhedsforskrifter til beskyttelse af operatøren, som er baseret på en vurdering af eksponering under de faktiske brugsforhold (med hensyntagen til alle dele i brugscyklussen, f.eks. de gange, hvor maskinen er slukket, og når den kører i tomgang i tilgift til afbrydertiden).

Vibration

Vibrationens totalværdi (tre-aksial vektorsum) bestemt i overensstemmelse med EN62841-2-11:

Arbejdstilstand: skæring af brædder

Vibrationsafgivelse ($a_{h,B}$): 8,0 m/s²

Usikkerhed (K): 1,5 m/s²

Arbejdstilstand: skæring af tynde metalplader

Vibrationsafgivelse ($a_{h,M}$): 5,0 m/s²

Usikkerhed (K): 1,5 m/s²

BEMÆRK: De(n) angivne totalværdi(er) for vibration er målt i overensstemmelse med en standardtestmetode og kan anvendes til at sammenligne en maskine med en anden.

BEMÆRK: De(n) angivne totalværdi(er) for vibration kan også anvendes i en præliminær eksponeringsvurdering.

⚠ ADVARSEL: Vibrationsemissionen under den faktiske anvendelse af maskinen kan være forskellig fra de(n) angivne værdi(er), afhængigt af den måde hvorpå maskinen anvendes, især den type arbejdsemne der behandles.

⚠ ADVARSEL: Sørg for at identificere de sikkerhedsforskrifter til beskyttelse af operatøren, som er baseret på en vurdering af eksponering under de faktiske brugsforhold (med hensyntagen til alle dele i brugscyklussen, f.eks. de gange, hvor maskinen er slukket, og når den kører i tomgang i tilgift til afbrydertiden).

EU-overensstemmelseserklæring

Kun for lande i Europa

EU-overensstemmelseserklæringen er inkluderet som Bilag A i denne brugsanvisning.

Almindelige sikkerhedsregler for el-værktøj

⚠ ADVARSEL: Læs alle de sikkerhedsadvarsler, instruktioner, illustrationer og specifikationer, der følger med denne maskine. Forsømmelse af at overholde alle nedenstående instruktioner kan medføre elektrisk stød, brand og/eller alvorlig personskade.

Gem alle advarsler og instruktioner til fremtidig reference.

Ordet "el-værktøj" i advarslerne henviser til det netforsyede (netledning) el-værktøj eller batteriforsyede (akku) el-værktøj.

Sikkerhedsadvarsler for stiksav

1. Hold maskinen i de isolerede håndtagsflader, når der udføres et arbejde, hvor det skærende tilbehør kan komme i kontakt med skjulte ledninger eller dens egen ledning. Skærende tilbehør, som kommer i kontakt med en strømførende ledning, kan bevirke, at udsatte metaldele på maskinen bliver strømførende, hvorved operatøren kan få elektrisk stød.
2. Anvend spændestykker eller en anden praktisk måde til at fastspænde og støtte arbejdsemnet til en stabil flade. Hvis arbejdsemnet holdes med hånden eller støttes mod kroppen, vil det være ustabil, hvilket kan medføre, at De mister kontrollen over det.
3. Anvend altid sikkerhedsbriller eller beskyttelsesbriller. Almindelige briller eller solbriller er IKKE sikkerhedsbriller.
4. Undgå at save i søm. Tjek arbejdsemnet for søm, og fjern dem, før arbejdet påbegyndes.
5. Sav ikke i for store arbejdsemner.
6. Tjek for tilstrækkelig frigang under arbejdsemnet, før der saves, så klingens ikke rammer gulvet, arbejdsbænken eller lignende.
7. Hold godt fast i maskinen.
8. Sørg for, at klingens ikke er i kontakt med arbejdsemnet, før der trykkes på afbryderen.
9. Hold hænderne væk fra bevægelige dele.
10. Lad ikke maskinen køre. Anvend kun maskinen, når den holdes i hænderne.
11. Sluk altid, og vent, indtil klingens står helt stille, før klingens fjernes fra arbejdsemnet.
12. Rør ikke ved klingens eller arbejdsemnet umiddelbart efter anvendelse. De kan begge være meget varme og forårsage forbrænding af huden.
13. Anvend ikke maskinen unødigt uden belastning.
14. Nogle materialer indeholder kemikalier, der kan være giftige. Sørg for at undgå at indånde støv samt kontakt med huden. Overhold materialeleverandørens sikkerhedsdata.
15. Anvend altid korrekt støvmaske/åndedrætsværn i henhold til det materiale og den anvendelse, De arbejder med.

GEM DISSE FORSKRIFTER.

⚠ ADVARSEL: LAD IKKE bekvemmelighed eller kendskab til produktet (opnået gennem gentagen brug) forhindre, at sikkerhedsforskrifterne for produktet nøje overholdes. MISBRUG eller forsømmelse af at følge de i denne brugsvejledning givne sikkerhedsforskrifter kan medføre alvorlig personskade.

FUNKTIONSBESKRIVELSE

⚠ FORSIGTIG: Kontrollér altid, at maskinen er slået fra, og at netstikket er trukket ud, før der udføres justeringer, eller funktioner kontrolleres på maskinen.

Valg af skæremåde

► Fig.1: 1. Omskifter til valg af skæremåde

Denne maskine kan anvendes med skæremåde med penduludsving eller lige bevægelse (op og ned). Ved skæremåde med penduludsving skubbes stiksavklingen fremad ved skæreanslaget, hvilket kraftigt forøger skærehastigheden.

For at ændre skæremådeskal De blot dreje omskifteren til valg af skæremåde til positionen for den ønskede skæremåde. Se i tabellen for at vælge den bedste skæremåde.

Position	Skæremåde	Anvendelser
0	Lige skæremåde	Til skæring i almindeligt stål, rustfrit stål og plast. Til rene snit i træ og krydsfiner.
I	Skæremåde med lille penduludsving	Til skæring i almindeligt stål, aluminium og hårdt træ.
II	Skæremåde med middelstort penduludsving	Til skæring i træ og krydsfiner. Til hurtig skæring i aluminium og almindeligt stål.
III	Skæremåde med stort penduludsving	Til hurtig skæring i træ og krydsfiner.

Afbryderbetjening

⚠ FORSIGTIG: Før maskinen sættes i stikkontakten, skal De altid kontrollere, at afbryderknappen fungerer korrekt og returnerer til "OFF"-positionen, når den slippes.

► Fig.2: 1. Afbryderknapp 2. Lås fra-knapp

For at starte maskinen skal De blot trykke på afbryderknappen. Maskinens hastighed øges ved øget tryk på afbryderknappen. Slip afbryderknappen for at stoppe.

For kontinuerlig funktion skal De trykke på afbryderknappen, skubbe låseknappen ind og derefter slippe afbryderknappen. For at stoppe maskinen fra låst position skal De trykke afbryderknappen helt ind og derefter slippe den.

SAMLING

⚠FORSIGTIG: Sørg altid for, at maskinen er slukket og taget ud af forbindelse, inden der udføres nogen form for arbejde på maskinen.

Montering eller afmontering af stiksavklingen

⚠FORSIGTIG: Fjern altid spån eller fremmedlegemer, der måtte klæbe til stiksavklingen og/eller klingeholderen. Forsømmelse af dette kan resultere i utilstrækkelig tilspænding af klingens, hvilket kan føre til alvorlig personskade.

⚠FORSIGTIG: Undlad at berøre stiksavklingen eller arbejdsemnet umiddelbart efter anvendelse. De kan være meget varme og forårsage forbrænding af huden.

⚠FORSIGTIG: Fastgør altid stiksavklingen forsvarligt. Utilstrækkelig tilspænding af klingens kan medføre, at klingens knækker, eller alvorlig personskade.

⚠FORSIGTIG: Anvend kun stiksavklinger af type B. Brug af andre klinger end type B medfører utilstrækkelig tilspænding af klingens, hvilket kan føre til alvorlig personskade.

For at montere stiksavklingen løsnes bolten i retningen mod uret på stiksavklingeholderen ved hjælp af unbrakonøglen.

► **Fig.3:** 1. Stiksavklingeholder 2. Bolt 3. Unbrakonøgle

Sæt stiksavklingen så langt som muligt ind i stiksavklingeholderen med klingetænderne vendt fremad. Sørg for, at bagkanten af klingens passer ind i rullen. Stram derefter bolten i retningen med uret for at fastgøre klingens.

► **Fig.4:** 1. Bolt 2. Rulle 3. Stiksavklinge

Følg monteringsvejledningen i omvendt rækkefølge for at fjerne stiksavklingen.

BEMÆRK: Smør regelmæssigt rullen.

Opbevaring af unbrakonøgle

► **Fig.5:** 1. Krog 2. Unbrakonøgle

Når unbrakonøglen ikke bruges, opbevares den som vist i figuren for at forhindre, at den bliver væk.

ANVENDELSE

⚠FORSIGTIG: Sørg altid for, at sålen flugter med arbejdsemnet. Forsømmelse af dette kan resultere i, at stiksavklingen knækker, hvilket kan føre til alvorlig personskade.

⚠FORSIGTIG: Før maskinen meget langsomt fremad, når De skærer kurver eller ruller. Brug af magt på maskinen kan medføre en skæv skæreflade, og at stiksavklingen knækker.

► **Fig.6:** 1. Skærelinje 2. Sål

Tænd for maskinen, uden at stiksavklingen har nogen kontakt, og vent, til klingens når fuld hastighed. Placer derefter sålen fladt mod arbejdsemnet, og før forsigtigt maskinen fremad langs den tidligere markerede skærelinje.

Skråsnit

⚠FORSIGTIG: Sørg altid for, at der er slukket for maskinen, og at den er taget ud af forbindelse, før sålen vippes.

⚠FORSIGTIG: Løft støvdækslet hele vejen, før der foretages skråsnit.

Når sålen er vippet, kan De foretage skråsnit i enhver vinkel mellem 0° og 45° (venstre eller højre).

► **Fig.7**

Løsn bolten bag på sålen ved hjælp af unbrakonøglen. Flyt sålen, så bolten sidder midt på det krydsformede hul i sålen.

► **Fig.8:** 1. Unbrakonøgle 2. Bolt 3. Sål

Vip sålen, til den ønskede skråvinkel er indstillet.

Kanten af motorhuset viser skråvinklingen med gradinddelinger. Stram derefter bolten for at fastgøre sålen.

► **Fig.9:** 1. Kant 2. Gradinddeling

Snit i niveau med fronten

► **Fig.10:** 1. Unbrakonøgle 2. Bolt 3. Sål

Løsn bolten bag på sålen ved hjælp af unbrakonøglen, og skub sålen hele vejen bagud. Stram derefter bolten for at fastgøre sålen.

Udskæringer

Udskæringer kan foretages ved en af to metoder: "Boring af et starthul" eller "Stikskæring".

Boring af et starthul

► **Fig.11**

For interne udskæringer uden et indløbssnit fra kanten bores et starthul med en diameter på 12 mm eller derover. Indfør stiksavklingen i hullet for at starte snittet.

Stikskæring

► **Fig.12**

De behøver ikke at bore et starthul eller at foretage et indløbssnit, hvis De forsigtigt gør som følger.

1. Vip værktøjet op på forkanten af sålen med spidsen af stiksavklingen placeret lige over overfladen af arbejdsemnet.

2. Tryk på maskinen, så forkanten af sålen ikke bevæger sig, når De tænder for maskinen, og sænk langsomt og forsigtigt bagenden af maskinen.

3. Når stiksavklingen trænger ind i arbejdsemnet, sænkes maskinens sålen langsomt ned på arbejdsemnets overflade.

4. Fuldfør snittet på normal vis.

Færdiggørelse af kanter

► **Fig.13**

Hvis De vil beskære kanter eller foretage størrelsesjusteringer, skal De føre stiksavklingen forsigtigt langs de skærekanter.

Skæring i metal

Ved skæring i metal bør De altid anvende et egnet kølemiddel (skæreolie). Hvis De ikke gør det, medfører det et betydeligt slid på stiksavklingen. Undersiden af arbejdsemnet kan smøres med fedt i stedet for at bruge et kølemiddel.

Fjernelse af støv

► **Fig.14:** 1. Slange

Der kan udføres rene skæringer ved at tilslutte denne maskine til en Makita støvsuger. Indsæt støvsugerens slange i hullet bag på maskinen.

BEMÆRK: Fjernelse af støv er ikke mulig, når der foretages skrånit.

Parallelanslag

Ekstraudstyr

⚠FORSIGTIG: Sørg altid for, at der er slukket for maskinen, og at den er taget ud af forbindelse, før tilbehør monteres eller afmonteres.

Lige snit

Hvis De gentagne gange foretager snit af bredder på 160 mm eller mindre, sikrer brug af parallelanslaget hurtigt, rene og lige snit.

► **Fig.15:** 1. Parallelanslag (støtteføjingsæt)

For montering indsættes parallelanslaget i det firkanterede hul på siden af sålen med føjingssettet vendende nedad. Før parallelanslaget til positionen for den ønskede skærebredde, og stram derefter bolten for at fastgøre det.

► **Fig.16:** 1. Unbrakonøgle 2. Bolt 3. Føjingsæt 4. Parallelanslag (støtteføjingsæt)

Cirkulære snit

Ved udskæring af cirkler eller buer med en radius på 170 mm eller derunder monteres parallelanslaget på følgende måde.

► **Fig.17:** 1. Parallelanslag (støtteføjingsæt)

1. Indsæt parallelanslaget i det firkantede hul på siden af sålen med føjingssettet vendende opad.
2. Indsæt den cirkulære snit føjingsstift gennem et af de to huller på føjingssettet. Skru knoppen med gevindet på stiften for at fastgøre stiften.

► **Fig.18:** 1. Knop med gevind 2. Føjingsæt 3. Parallelanslag (støtteføjingsæt) 4. Stift

3. Før parallelanslaget til positionen for den ønskede skæreradius, og stram bolten for at fastgøre det. Flyt derefter sålen helt frem.

BEMÆRK: Brug altid stiksavklinger nr. B-17, B-18, B-26 eller B-27 ved skæring af cirkler eller buer.

Antisplint-anordning til stålsål

Ekstraudstyr

► **Fig.19:** 1. Antisplint-anordning 2. Fremspring

For splintfri snit kan antisplint-anordningen benyttes. For at montere antisplint-anordningen skal De flytte sålen hele vejen frem og indsætte den mellem de to fremspring på sålen.

BEMÆRK: Antisplint-anordningen kan ikke anvendes, når der foretages skrånit.

VEDLIGEHOLDELSE

⚠FORSIGTIG: Kontrollér altid, at der er slukket for maskinen, og at netstikket er trukket ud, før der udføres eftersyn eller vedligeholdelse.

BEMÆRKNING: Anvend aldrig benzin, rensebenzin, fortynder, alkohol og lignende. Det kan medføre misfarvning, deformation eller revner.

For at opretholde produktets SIKKERHED og PÅLIDELIGHED må reparation, inspektion og udskiftning af kulbørster samt al anden vedligeholdelse eller justering kun udføres af et autoriseret Makita servicecenter eller fabriksservicecenter med anvendelse af Makita reservedele.

ΠΡΟΔΙΑΓΡΑΦΕΣ

Μοντέλο:		M4301
Μήκος διαδρομής		18 mm
Τύπος λεπίδας		Τύπος B
Μέγιστες ικανότητες κοπής	Ξύλο	65 mm
	Μαλακό ασάλι	6 mm
Διαδρομές ανά λεπτό (min ⁻¹)		0 - 3.100
Συνολικό μήκος		214 mm
Καθαρό βάρος		1,9 kg
Κατηγορία ασφάλειας		☐/II

- Λόγω του συνεχόμενου προγράμματος που εφαρμόζουμε για έρευνα και ανάπτυξη, τα τεχνικά χαρακτηριστικά στο παρόν έντυπο υπόκεινται σε αλλαγή χωρίς προειδοποίηση.
- Τα τεχνικά χαρακτηριστικά μπορεί να διαφέρουν από χώρα σε χώρα.
- Βάρος σύμφωνα με διαδικασία ΕΡΤΑ 01/2014

Προοριζόμενη χρήση

Το εργαλείο προορίζεται για πριόνισμα ξύλινων, πλαστικών και μεταλλικών υλικών. Ως αποτέλεσμα του εκτεταμένου προγράμματος εξαρτημάτων και πριονιού, το εργαλείο μπορεί να χρησιμοποιείται για πολλούς σκοπούς και είναι πολύ κατάλληλο για καμπύλες ή κυκλικές κοπές.

Ηλεκτρική παροχή

Το εργαλείο πρέπει να συνδέεται μόνο με ηλεκτρική παροχή της ίδιας τάσης με αυτή που αναγράφεται στην πινακίδα ονομαστικών τιμών και μπορεί να λειτουργήσει μόνο με εναλλασσόμενο μονοφασικό ρεύμα. Υπάρχει διπλή μόνωση και κατά συνέπεια, μπορεί να γίνει σύνδεση σε ακροδέκτες χωρίς σύρμα γείωσης.

Θόρυβος

Το τυπικό Α επίπεδο καταμετρημένου θορύβου καθορίζεται σύμφωνα με το EN62841-2-11:
 Στάθμη ηχητικής πίεσης (L_{PA}): 82 dB (A)
 Στάθμη ηχητικής ισχύος (L_{WA}): 93 dB (A)
 Αβεβαιότητα (K): 3 dB (A)

ΠΑΡΑΤΗΡΗΣΗ: Η δηλωμένη τιμή(ές) εκπομπής θορύβου έχει μετρηθεί σύμφωνα με την πρότυπη μέθοδο δοκιμής και μπορεί να χρησιμοποιηθεί για τη σύγκριση ενός εργαλείου με κάποιο άλλο.

ΠΑΡΑΤΗΡΗΣΗ: Η δηλωμένη τιμή(ές) εκπομπής θορύβου μπορεί να χρησιμοποιηθεί και στην προκαταρκτική αξιολόγηση της έκθεσης.

⚠ ΠΡΟΕΙΔΟΠΟΙΗΣΗ: Να φοράτε ωτοασπίδες.

⚠ ΠΡΟΕΙΔΟΠΟΙΗΣΗ: Η εκπομπή θορύβου κατά τη χρήση του ηλεκτρικού εργαλείου σε πραγματικές συνθήκες μπορεί να διαφέρει από τη δηλωμένη τιμή(ές) ανάλογα με τους τρόπους χρήσης του εργαλείου, ιδιαίτερα το είδος του τεμαχίου εργασίας που υπόκειται επεξεργασία.

⚠ ΠΡΟΕΙΔΟΠΟΙΗΣΗ: Φροντίστε να λάβετε τα κατάλληλα μέτρα προστασίας του χειριστή βάσει ενός υπολογισμού της έκθεσης σε πραγματικές συνθήκες χρήσης (λαμβάνοντας υπόψη όλες τις συνιστώσες του κύκλου λειτουργίας όπως τους χρόνους που το εργαλείο είναι εκτός λειτουργίας και όταν βρίσκεται σε αδρανή λειτουργία πέραν του χρόνου ενεργοποίησης).

Κραδασμός

Η ολική τιμή δόνησης (άθροισμα τρι-αξονικού διανύσματος) καθορίζεται σύμφωνα με το EN62841-2-11:
 Είδος εργασίας: κοπή σανίδων
 Εκπομπή δόνησης (a_{hB}): 8,0 m/s²
 Αβεβαιότητα (K): 1,5 m/s²
 Είδος εργασίας: κοπή μεταλλικών φύλλων
 Εκπομπή δόνησης (a_{hM}): 5,0 m/s²
 Αβεβαιότητα (K): 1,5 m/s²

ΠΑΡΑΤΗΡΗΣΗ: Η δηλωμένη τιμή(ές) συνολικών κραδασμών έχει μετρηθεί σύμφωνα με την πρότυπη μέθοδο δοκιμής και μπορεί να χρησιμοποιηθεί για τη σύγκριση ενός εργαλείου με κάποιο άλλο.

ΠΑΡΑΤΗΡΗΣΗ: Η δηλωμένη τιμή(ές) συνολικών κραδασμών μπορεί να χρησιμοποιηθεί και στην προκαταρκτική αξιολόγηση της έκθεσης.

⚠️ ΠΡΟΕΙΔΟΠΟΙΗΣΗ: Η εκπομπή κραδασμών κατά τη χρήση του ηλεκτρικού εργαλείου σε πραγματικές συνθήκες μπορεί να διαφέρει από τη δηλωμένη τιμή(ές) εκπομπής ανάλογα με τους τρόπους χρήσης του εργαλείου, ιδιαίτερα το είδος του τεμαχίου εργασίας που υπόκειται επεξεργασία.

⚠️ ΠΡΟΕΙΔΟΠΟΙΗΣΗ: Φροντίστε να λάβετε τα κατάλληλα μέτρα προστασίας του χειριστή βάσει ενός υπολογισμού της έκθεσης σε πραγματικές συνθήκες χρήσης (λαμβάνοντας υπόψη όλες τις συνιστώσες του κύκλου λειτουργίας όπως τους χρόνους που το εργαλείο είναι εκτός λειτουργίας και όταν βρίσκεται σε αδρανή λειτουργία πέραν του χρόνου ενεργοποίησης).

Δήλωση συμμόρφωσης ΕΚ

Μόνο για χώρες της Ευρώπης

Η δήλωση συμμόρφωσης ΕΚ περιλαμβάνεται ως Παράρτημα Α στο παρόν εγχειρίδιο οδηγιών.

Γενικές προειδοποιήσεις ασφαλείας για το ηλεκτρικό εργαλείο

⚠️ ΠΡΟΕΙΔΟΠΟΙΗΣΗ: Διαβάστε όλες τις προειδοποιήσεις ασφαλείας, οδηγίες, εικονογραφίες και προδιαγραφές που παρέχονται με αυτό το ηλεκτρικό εργαλείο. Η μη τήρηση όλων των οδηγιών που αναγράφονται κατωτέρω μπορεί να καταλήξει σε ηλεκτροπληξία, πυρκαγιά ή/και σοβαρό τραυματισμό.

Φυλάξτε όλες τις προειδοποιήσεις και τις οδηγίες για μελλοντική παραπομπή.

Στις προειδοποιήσεις, ο όρος «ηλεκτρικό εργαλείο» αναφέρεται σε ηλεκτρικό εργαλείο που τροφοδοτείται από την κύρια παροχή ηλεκτρικού ρεύματος (με ηλεκτρικό καλώδιο) ή σε ηλεκτρικό εργαλείο που τροφοδοτείται από μπαταρία (χωρίς ηλεκτρικό καλώδιο).

Προειδοποιήσεις ασφαλείας για το παλινδρομικό πριόνι

1. Να κρατάτε το ηλεκτρικό εργαλείο από τις μονωμένες επιφάνειες συγκράτησης κατά την εκτέλεση εργασιών όπου το εξάρτημα κοπής μπορεί να έρθει σε επαφή με κρυφές καλωδιώσεις ή με το δικό του καλώδιο τροφοδοσίας. Σε περίπτωση επαφής του εξαρτήματος κοπής με ηλεκτροφόρο καλώδιο, μπορεί τα εκτεθειμένα μεταλλικά εξαρτήματα του ηλεκτρικού εργαλείου να καταστούν τα ίδια ηλεκτροφόρα και να προκαλέσουν ηλεκτροπληξία στο χειριστή.
2. Να χρησιμοποιείτε σφιγκτήρες ή κάποιο άλλο πρακτικό μέσο για να ασφαλίσετε και να στηρίξετε το τεμάχιο εργασίας σε μια σταθερή πλατφόρμα. Αν κρατάτε το τεμάχιο εργασίας με το χέρι σας ή επάνω στο σώμα σας, θα είναι ασταθές και μπορεί να χάσετε τον έλεγχο.

3. Να χρησιμοποιείτε πάντα γυαλιά ασφαλείας ή προστατευτικά γυαλιά. Τα συνηθισμένα γυαλιά οράσεως ή γυαλιά ηλίου ΔΕΝ είναι γυαλιά ασφαλείας.
4. Να αποφεύγετε την κοπή καρφιών. Να επιθεωρείτε το τεμάχιο εργασίας για καρφιά και αφαιρέστε τα πριν από τη λειτουργία.
5. Μην κόβετε υπερμεγέθη τεμάχια εργασίας.
6. Πριν από την κοπή, να ελέγχετε ότι υπάρχει επαρκής απόσταση πίσω από το τεμάχιο εργασίας ώστε η λάμα να μη χτυπήσει το δάπεδο, τον πάγκο εργασίας, κτλ.
7. Κρατάτε το εργαλείο σταθερά.
8. Να βεβαιώνετε ότι η λάμα δεν ακουμπάει το τεμάχιο εργασίας πριν ενεργοποιήσετε το διακόπτη.
9. Μην πλησιάζετε τα χέρια σας σε κινούμενα μέρη.
10. Μην αφήνετε το εργαλείο αναμμένο. Να χειρίζεστε το εργαλείο μόνο όταν το κρατάτε στο χέρι.
11. Να σβήνετε πάντα το εργαλείο και να περιμένετε να σταματήσει να κινείται εντελώς η λάμα πριν τη βγάλετε από το τεμάχιο εργασίας.
12. Μην αγγίζετε τη λάμα ή το τεμάχιο εργασίας αμέσως μετά τη λειτουργία. Μπορεί να είναι εξαιρετικά ζεστά και να σας προκαλέσουν εγκαύματα.
13. Μη θέτετε το εργαλείο σε λειτουργία χωρίς φορτίο όταν αυτό δεν είναι απαραίτητο.
14. Μερικά υλικά περιέχουν χημικά που μπορεί να είναι τοξικά. Να προσέχετε ώστε να αποφεύγετε την εισπνοή σκόνης και την επαφή με το δέρμα. Να ακολουθείτε τα δεδομένα ασφαλείας του προμηθευτή υλικού.
15. Να χρησιμοποιείτε πάντα προσωπίδα κατά της σκόνης/αναπνευστήρα που είναι κατάλληλα για το υλικό και την εφαρμογή σας.

ΦΥΛΑΞΤΕ ΑΥΤΕΣ ΤΙΣ ΟΔΗΓΙΕΣ.

⚠️ ΠΡΟΕΙΔΟΠΟΙΗΣΗ: ΜΗΝ επιτρέψετε στην άνεση ή στην εξοικειώσή σας με το προϊόν (που αποκτήθηκε από επανειλημμένη χρήση) να αντικαταστήσει την αυστηρή τήρηση των κανόνων ασφαλείας του παρόντος εργαλείου. Η ΛΑΝΘΑΣΜΕΝΗ ΧΡΗΣΗ ή η αμέλεια να ακολουθήσετε τους κανόνες ασφαλείας που διατυπώνονται στο παρόν εγχειρίδιο οδηγιών μπορεί να προκαλέσει σοβαρό προσωπικό τραυματισμό.

ΠΕΡΙΓΡΑΦΗ ΛΕΙΤΟΥΡΓΙΑΣ

⚠️ ΠΡΟΣΟΧΗ: Να βεβαιώνετε πάντα ότι το εργαλείο είναι σβηστό και αποσυνδεδεμένο από την ηλεκτρική παροχή πριν ρυθμίσετε ή ελέγχετε κάποια λειτουργία του.

Επιλογή της κοπτικής λειτουργίας

► **Εικ.1:** 1. Μοχλός αλλαγής κοπτικής λειτουργίας

Μπορείτε να χρησιμοποιείτε το εργαλείο αυτό με κοπτική λειτουργία καμπύλης ή ευθείας (πάνω και κάτω). Με την κοπτική λειτουργία καμπύλης, η λάμα παλινδρομικού πριονιού ωθείται προς τα εμπρός στη διαδρομή κοπής και αυξάνεται πολύ η ταχύτητα κοπής.

Για να αλλάξετε την κοπτική λειτουργία, απλώς θέστε το μοχλό αλλαγής κοπτικής λειτουργίας στην επιθυμητή θέση κοπτικής λειτουργίας. Ανατρέξτε στον πίνακα για να επιλέξετε την κατάλληλη κοπτική λειτουργία.

Θέση	Κοπτική λειτουργία	Εφαρμογές
0	Κοπτική λειτουργία ευθείας	Για την κοπή μαλακού ατσάλιου, ανοξείδωτο ατσάλιου και πλαστικών.
		Για την καθαρή κοπή ξύλου και κοντραπλακέ.
I	Κοπτική λειτουργία μικρής καμπύλης	Για την κοπή μαλακού ατσάλιου, αλουμινίου και σκληρού ξύλου.
II	Κοπτική λειτουργία μέτριας καμπύλης	Για την κοπή ξύλου και κοντραπλακέ.
		Για γρήγορη κοπή αλουμινίου και μαλακού ατσάλιου.
III	Κοπτική λειτουργία μεγάλης καμπύλης	Για γρήγορη κοπή ξύλου και κοντραπλακέ.

Δράση διακόπτη

⚠️ ΠΡΟΣΟΧΗ: Πριν από τη σύνδεση του εργαλείου στην ηλεκτρική παροχή, να ελέγχετε πάντα ότι η σκανδάλη διακόπτης ενεργοποιείται σωστά και επιστρέφει στη θέση «OFF» όταν την αφήνετε.

► **Εικ.2:** 1. Σκανδάλη διακόπτης 2. Κουμπί ασφαλείας

Για να ξεκινήσετε το εργαλείο, απλώς τραβήξτε τη σκανδάλη διακόπτη. Η ταχύτητα του εργαλείου αυξάνει αν αυξήσετε την πίεση στη σκανδάλη-διακόπτη. Για διακοπή της λειτουργίας, ελευθερώστε τη σκανδάλη-διακόπτη.

Για συνεχόμενη λειτουργία, τραβήξτε τη σκανδάλη-διακόπτη, πατήστε το κουμπί ασφαλείας και μετά αφήστε τη σκανδάλη-διακόπτη. Για να σταματήσετε το εργαλείο από την κλειδωμένη θέση, τραβήξτε πλήρως τη σκανδάλη-διακόπτη και κατόπιν αφήστε την.

ΣΥΝΑΡΜΟΛΟΓΗΣΗ

⚠️ ΠΡΟΣΟΧΗ: Να βεβαιώνετε πάντα ότι το εργαλείο είναι σβηστό και αποσυνδεδεμένο από την ηλεκτρική παροχή πριν εκτελέσετε οποιαδήποτε εργασία σε αυτό.

Τοποθέτηση ή αφαίρεση της λάμας παλινδρομικού πριονιού

⚠️ ΠΡΟΣΟΧΗ: Να καθαρίζετε πάντα όλα τα θραύσματα και τα ξένα σώματα που έχουν προσκολληθεί στη λάμα παλινδρομικού πριονιού ή/και στη θήκη λάμας. Αν δεν το κάνετε αυτό, μπορεί να μην είναι αρκετά σφιγμένη η λάμα και να προκληθεί σοβαρός ατομικός τραυματισμός.

⚠️ ΠΡΟΣΟΧΗ: Μην αγγίζετε τη λάμα παλινδρομικού πριονιού ή το τεμάχιο εργασίας αμέσως μετά τη λειτουργία. Μπορεί να είναι εξαιρετικά καυτά και να προκαλέσει εγκαυμα στο δέρμα σας.

⚠️ ΠΡΟΣΟΧΗ: Να ασφαρίζετε πάντα τη λάμα παλινδρομικού πριονιού σταθερά. Αν δεν σφίξετε καλά τη λάμα, μπορεί να προκληθεί σπάσιμο της λάμας ή σοβαρός ατομικός τραυματισμός.

⚠️ ΠΡΟΣΟΧΗ: Να χρησιμοποιείτε μόνο λάμες παλινδρομικού πριονιού τύπου B. Αν χρησιμοποιήσετε λάμες διαφορετικές από τύπου B, θα προκληθεί ανεπαρκές σφίξιμο της λάμας, έχοντας ως αποτέλεσμα σοβαρό ατομικό τραυματισμό.

Για να τοποθετήσετε τη λάμα παλινδρομικού πριονιού, ξεσφίξτε αριστερόστροφα το μπουλόνι στην υποδοχή λάμας παλινδρομικού πριονιού με το εξαγωνικό κλειδί.

► **Εικ.3:** 1. Υποδοχή λάμας παλινδρομικού πριονιού 2. Μπουλόνι 3. Εξαγωνικό κλειδί

Με τα δόντια λάμας στραμμένα προς τα μπροστά, εισαγάγετε τη λάμα παλινδρομικού πριονιού μέσα στην υποδοχή λάμας παλινδρομικού πριονιού μέχρι τέρμα. Βεβαιωθείτε ότι το πίσω άκρο της λάμας ταιριάζει μέσα στον κύλινδρο. Μετά, σφίξτε το μπουλόνι δεξιόστροφα για να ασφαλίσετε τη λάμα.

► **Εικ.4:** 1. Μπουλόνι 2. Κύλινδρος 3. Λάμα παλινδρομικού πριονιού

Για να αφαιρέσετε τη λάμα παλινδρομικού πριονιού, ακολουθήστε τη διαδικασία τοποθέτησης με αντίστροφη σειρά.

ΠΑΡΑΤΗΡΗΣΗ: Να λιπαίνετε περιστασιακά τον κύλινδρο.

Φύλαξη εξαγωνικού κλειδιού

► **Εικ.5:** 1. Γάντιος 2. Εξαγωνικό κλειδί

Όταν δεν χρησιμοποιείται, φυλάξτε το εξαγωνικό κλειδί όπως απεικονίζεται στην εικόνα, για να μην το χάσετε.

ΛΕΙΤΟΥΡΓΙΑ

▲ ΠΡΟΣΟΧΗ: Κρατήστε πάντα τη βάση ευθύγραμμη με το τεμάχιο εργασίας. Αν δεν το κάνετε αυτό, μπορεί να σπάσει η λάμα παλινδρομικού πριονιού, έχοντας ως αποτέλεσμα σοβαρό τραυματισμό.

▲ ΠΡΟΣΟΧΗ: Προχωρήστε το εργαλείο πολύ αργά κατά την κοπή καμπύλων ή το κύλισμα. Αν εξαναγκάσετε την κίνηση του εργαλείου, μπορεί να προκληθεί λοξή επιφάνεια κοπής και σπάσιμο της λάμας παλινδρομικού πριονιού.

► **Εικ.6:** 1. Γραμμή κοπής 2. Βάση

Ενεργοποιήστε το εργαλείο χωρίς η λάμα παλινδρομικού πριονιού να κάνει επαφή οποιαδήποτε επαφή και περιμένετε μέχρι η λάμα να αποκτήσει πλήρη ταχύτητα. Μετά, ακουμπήστε τη βάση επίπεδα επάνω στο τεμάχιο εργασίας και μετακινήστε απαλά το εργαλείο προς τα μπροστά, κατά μήκος μιας γραμμής κοπής που έχετε σχεδιάσει από πριν.

Λοξοτομή

▲ ΠΡΟΣΟΧΗ: Να βεβαιώνετε πάντα ότι το εργαλείο είναι σβηστό και αποσυνδεδεμένο από το ηλεκτρικό ρεύμα πριν γείρετε τη βάση.

▲ ΠΡΟΣΟΧΗ: Σηκώστε το κάλυμμα σκόνης μέχρι τέρμα πριν από την πραγματοποίηση λοξοτομών.

Με τη βάση υπό κλίση, μπορείτε να πραγματοποιήσετε λοξοτομές σε οποιαδήποτε γωνία μεταξύ 0° και 45° (αριστερά ή δεξιά).

► **Εικ.7**

Χαλαρώστε το μπουλόνι στο πίσω μέρος της βάσης με το εξαγωνικό κλειδί. Μετακινήστε τη βάση ώστε το μπουλόνι να τοποθετηθεί στο κέντρο της εγκοπής, σε σχήμα σταυρού, στη βάση.

► **Εικ.8:** 1. Εξαγωνικό κλειδί 2. Μπουλόνι 3. Βάση

Γείρετε τη βάση μέχρι να ληφθεί η επιθυμητή γωνία λοξοτομής. Η άκρη του περιβλήματος μοτέρ υποδεικνύει τη γωνία λοξοτομής με διαβαθμίσεις. Κατόπιν σφίξτε το μπουλόνι για να ασφαλίσετε τη βάση.

► **Εικ.9:** 1. Άκρο 2. Διαβαθμίσεις

Εμπρόσθιες ισόπεδες κοπές

► **Εικ.10:** 1. Εξαγωνικό κλειδί 2. Μπουλόνι 3. Βάση

Χαλαρώστε το μπουλόνι στο πίσω μέρος της βάσης με το εξαγωνικό κλειδί και σύρετε τη βάση τέρμα πίσω. Κατόπιν σφίξτε το μπουλόνι για να ασφαλίσετε τη βάση.

Αποκοπές

Οι αποκοπές μπορούν να γίνουν με δύο μεθόδους, «Διάρθρωση μιας οπής έναρξης» ή «Βαθιά κοπή».

Διάρθρωση μιας οπής έναρξης

► **Εικ.11**

Για εσωτερικές αποκοπές με αρχική κοπή εντός ενός άκρου, προ-τρυπανίστε μια οπή έναρξης με διάμετρο 12 mm ή μεγαλύτερη. Εισαγάγετε τη λάμα παλινδρομικού πριονιού μέσα σε αυτή την οπή για να ξεκινήσετε την κοπή σας.

Βαθιά κοπή

► **Εικ.12**

Δεν χρειάζεται να ανοίξετε μια οπή έναρξης ή να δημιουργήσετε μια αρχική κοπή αν ενεργήσετε προσεκτικά όπως περιγράφεται στη συνέχεια.

1. Γείρετε το εργαλείο προς τα πάνω στο μπροστινό άκρο της βάσης με το σημείο της λάμα παλινδρομικού πριονιού τοποθετημένο μόλις πάνω από την επιφάνεια του τεμαχίου εργασίας.

2. Ασκήστε πίεση στο εργαλείο με τρόπο ώστε το μπροστινό άκρο της βάσης να μην μετακινηθεί όταν ενεργοποιήσετε το εργαλείο και χαμηλώστε απαλά και αργά το πίσω άκρο του εργαλείου.

3. Καθώς η λάμα παλινδρομικού πριονιού διατρύπεί το τεμάχιο εργασίας, χαμηλώστε αργά τη βάση του εργαλείου επάνω στην επιφάνεια του τεμαχίου εργασίας.

4. Ολοκληρώστε την κοπή με τον συνηθισμένο τρόπο.

Άκρα τελειώματος

► **Εικ.13**

Για την περικοπή άκρων ή τη ρύθμιση διαστάσεων, περάστε τη λάμα παλινδρομικού πριονιού ελαφρά κατά μήκος των άκρων κοπής.

Κοπή μετάλλων

Όταν κόβετε μέταλλο, να χρησιμοποιείτε πάντα ένα κατάλληλο ψυκτικό υγρό (λάδι κοπής). Αν δεν το κάνετε αυτό, θα προκληθεί σημαντική φθορά της λάμας παλινδρομικού πριονιού. Αντί για τη χρήση ψυκτικού, μπορείτε να γρασάρετε το κάτω μέρος του τεμαχίου εργασίας.

Εξαγωγή σκόνης

► **Εικ.14:** 1. Εύκαμπτος σωλήνας

Οι λειτουργίες κοπής μπορεί να είναι πιο καθαρές όταν εκτελούνται με συνδεδεμένο αυτό το εργαλείο με την ηλεκτρική σκούπα της Makita. Εισαγάγετε τον εύκαμπτο σωλήνα της ηλεκτρικής σκούπας μέσα στην οπή στο πίσω μέρος του εργαλείου.

ΠΑΡΑΤΗΡΗΣΗ: Δεν είναι δυνατή η εξαγωγή σκόνης όταν πραγματοποιούνται λοξοτομές.

Οδηγός κομματιού

Προαιρετικό εξάρτημα

▲ ΠΡΟΣΟΧΗ: Να βεβαιώνετε πάντα ότι το εργαλείο είναι σβηστό και αποσυνδεδεμένο από το ηλεκτρικό ρεύμα πριν τοποθετήσετε ή αφαιρέσετε εξάρτηματα.

Ευθείες κοπές

Όταν κόβετε επανειλημμένα πλάτη 160 mm ή λιγότερο, η χρήση ενός οδηγού κομματιού θα εξασφαλίσει γρήγορες, καθαρές και ευθείες κοπές.

► **Εικ.15:** 1. Οδηγός κομματιού (κανόνας οδηγός)

Για την τοποθέτηση, εισαγάγετε τον οδηγό κομματιού μέσα στην ορθογώνια οπή στην πλευρά της βάσης με την καθοδήγηση οδηγού στραμμένη προς τα κάτω. Σύρετε τον οδηγό κομματιού στη θέση για το επιθυμητό πλάτος κοπής και μετά σφίξτε το μπουλόνι για να το ασφαλίσετε.

► **Εικ.16:** 1. Εξαγωνικό κλειδί 2. Μπουλόνι 3. Καθοδήγηση οδηγού 4. Οδηγός κομματιού (κανόνας οδηγός)

Κυκλικές κοπές

Όταν κόβετε κύκλους ή τόξα με ακτίνα 170 mm ή μικρότερη, τοποθετήστε τον οδηγό κομματιού όπως περιγράφεται στη συνέχεια.

► **Εικ.17:** 1. Οδηγός κομματιού (κανόνας οδηγός)

1. Εισαγάγετε τον οδηγό κομματιού μέσα στην ορθογώνια οπή στην πλευρά της βάσης με την καθοδήγηση οδηγού στραμμένη προς τα πάνω.

2. Εισαγάγετε τον πείρο κυκλικού οδηγού μέσα από οποιαδήποτε από τις δύο οπές στην καθοδήγηση οδηγού. Βιδώστε το κοχλιωτό κομβίο επάνω στον πείρο για να ασφαλίσετε τον πείρο.

► **Εικ.18:** 1. Κοχλιωτό κομβίο 2. Καθοδήγηση οδηγού
3. Οδηγός κομματιού (κανόνας οδηγός)
4. Πείρος

3. Σύρετε τον οδηγό κομματιού στη θέση για την επιθυμητή ακτίνα κοπής και μετά σφίξτε το μπουλόνι για να το ασφαλίσετε. Στη συνέχεια, μετακινήστε τη βάση τέρμα μπροστά.

ΠΑΡΑΤΗΡΗΣΗ: Να χρησιμοποιείτε πάντα λάμες παλινδρομικού πριονιού αρ. B-17, B-18, B-26 ή B-27 όταν κόβετε κύκλους ή τόξα.

Διάταξη αποφυγής σκλήθρων για αστάλινη βάση

Προαιρετικό εξάρτημα

► **Εικ.19:** 1. Διάταξη αποφυγής σκλήθρων
2. Προεξοχή

Για κοπές χωρίς σκλήθρες, μπορείτε να χρησιμοποιήσετε τη διάταξη αποφυγής σκλήθρων. Για να τοποθετήσετε τη διάταξη αποφυγής σκλήθρων, μετακινήστε τη βάση τέρμα μπροστά και εισαγάγετέ την μεταξύ των δύο προεξοχών της βάσης.

ΠΑΡΑΤΗΡΗΣΗ: Δεν είναι δυνατή η χρήση της διάταξης αποφυγής σκλήθρων όταν πραγματοποιούνται λοξοτομές.

ΣΥΝΤΗΡΗΣΗ

▲ ΠΡΟΣΟΧΗ: Να βεβαιώνετε πάντα ότι το εργαλείο είναι σβηστό και αποσυνδεδεμένο από την ηλεκτρική παροχή πριν εκτελέσετε οποιαδήποτε εργασία επιθεώρησης ή συντήρησης σε αυτό.

ΕΙΔΟΠΟΙΗΣΗ: Μην χρησιμοποιείτε ποτέ βενζίνη, πετρελαϊκό αιθέρα, διαλυτικό, αλκοόλη ή παρόμοιες ουσίες. Μπορεί να προκληθεί αποχρωματισμός, παραμόρφωση ή ρωγμές.

Για να διατηρήσετε την ΑΣΦΑΛΕΙΑ και ΑΞΙΟΠΙΣΤΙΑ του προϊόντος, οι επισκευές, έλεγχος και αντικατάσταση καρβουνακιού, καθώς και οποιαδήποτε άλλη εργασία συντήρησης ή ρύθμισης πρέπει να εκτελούνται από εξουσιοδοτημένα ή εργοστασιακά κέντρα εξυπηρέτησης της Makita, πάντα χρησιμοποιώντας ανταλλακτικά της Makita.

TEKNİK ÖZELLİKLER

Model:	M4301	
Vuruş uzunluğu	18 mm	
Bıçak tipi	B tipi	
Maksimum kesme kapasiteleri	Ahşap	65 mm
	Yumuşak çelik	6 mm
Dakikada vuruş (min ⁻¹)	0 - 3.100	
Toplam uzunluk	214 mm	
Net ağırlık	1,9 kg	
Emniyet sınıfı	□/II	

- Sürekli yapılan araştırma ve geliştirmelerden dolayı, burada belirtilen özellikler önceden bildirilmeksizin değiştirilebilir.
- Özellikler ülkeden ülkeye değişebilir.
- EPTA-Prosedürü 01/2014 uyarınca ağırlık

Kullanım amacı

Bu alet ahşap, plastik ve metal malzemeleri kesmek amacıyla kullanılır. Kapsamlı aksesuarlar ve testere bıçağı programının bir sonucu olarak, alet çok fazla amaç için kullanılabilir ve eğitimli ve dairesel kesimler için oldukça uygundur.

Güç kaynağı

Aletin, yalnızca isim levhasında belirtilenle aynı voltajlı güç kaynağına bağlanması gerekir ve yalnızca tek fazlı AC güç kaynağıyla çalıştırılabilir. Çifte yalıtımlıdır ve topraklamasız prizlerle de kullanılabilir.

Gürültü

Tipik A-ağırlıklı gürültü düzeyi (EN62841-2-11 standardına göre belirlenen):
Ses basınç seviyesi (L_{PA}): 82 dB (A)
Ses gücü düzeyi (L_{WA}): 93 dB (A)
Belirsizlik (K): 3 dB (A)

NOT: Beyan edilen gürültü emisyonu değer(ler)i bir standart test yöntemine uygun şekilde ölçülmüştür ve bir aleti bir başkasıyla karşılaştırmak için kullanılabilir.

NOT: Beyan edilen gürültü emisyonu değer(ler)i bir ön maruz kalma değerlendirmesi olarak da kullanılabilir.

UYARI: Kulak koruyucuları takın.

UYARI: Elektrikli aletin gerçek kullanımı sırasındaki gürültü emisyonu, aletin kullanım biçimlerine, özellikle işlenen iş parçasının türüne bağlı olarak beyan edilen değer(ler)den farklı olabilir.

UYARI: Gerçek kullanım koşullarındaki tahmini maruziyeti baz alan, operatörü koruyacak güvenlik önlemlerini mutlaka belirleyin (çalışma döngüsü içerisinde aletin kapalı olduğu ve aktif durumda olmasının yanı sıra boşta çalıştığı zamanlar gibi, bütün zaman dilimleri göz önünde bulundurarak).

Titreşim

Titreşim toplam değeri (üç eksenli vektör toplamı) (EN62841-2-11 standardına göre hesaplanan):
Çalışma modu: tahtaları kesme
Titreşim emisyonu (a_{h,B}): 8,0 m/s²
Belirsizlik (K): 1,5 m/s²
Çalışma modu: sac levha kesme
Titreşim emisyonu (a_{h,M}): 5,0 m/s²
Belirsizlik (K): 1,5 m/s²

NOT: Beyan edilen titreşim toplam değer(ler)i bir standart test yöntemine uygun şekilde ölçülmüştür ve bir aleti bir başkasıyla karşılaştırmak için kullanılabilir.

NOT: Beyan edilen titreşim toplam değer(ler)i bir ön maruz kalma değerlendirmesi olarak da kullanılabilir.

UYARI: Elektrikli aletin gerçek kullanımı sırasındaki titreşim emisyonu, aletin kullanım biçimlerine, özellikle işlenen iş parçasının türüne bağlı olarak beyan edilen değer(ler)den farklı olabilir.

UYARI: Gerçek kullanım koşullarındaki tahmini maruziyeti baz alan, operatörü koruyacak güvenlik önlemlerini mutlaka belirleyin (çalışma döngüsü içerisinde aletin kapalı olduğu ve aktif durumda olmasının yanı sıra boşta çalıştığı zamanlar gibi, bütün zaman dilimleri göz önünde bulundurarak).

EC Uygunluk Beyanı

Sadece Avrupa ülkeleri için

EC uygunluk beyanı bu kullanım kılavuzuna Ek A olarak eklenmiştir.

Genel elektrikli alet güvenliği uyarıları

⚠UYARI: Bu elektrikli aletle birlikte sunulan tüm güvenlik uyarılarını, talimatları, çizimleri ve teknik özellikleri okuyun. Aşağıda verilen talimatlara uyulmaması elektrik şoku, yangın ve/veya ciddi yaralanmalar ile sonuçlanabilir.

Tüm uyarıları ve talimatları ile-ride başvurmak için saklayın.

Uyarılardaki “elektrikli alet” terimi ile ya prizden çalışan (kordonlu) elektrikli aletiniz ya da kendi aküsü ile çalış-şan (kordsuz) elektrikli aletiniz kastedilmektedir.

Dekupaj testere ile ilgili güvenlik uyarıları

- Kesici aksesuarın görünmeyen kabloları ya da aletin kendi kordonuna temas etme olasılığı bulunan yerlerde çalışırken elektrikli aleti yalıtımlı kavrama yüzeylerinden tutun.** Kesici aksesuarın “akımlı” bir telle temas etmesi elektrikli aletin yalıtımsız metal kısımlarını “akımlı” hale getirebilir ve kullanıcıyı elektrik şokuna maruz bırakabilir.
- İş parçasını sabit bir platforma bağlamak ve desteklemek için mengene veya başka bir pratik yol kullanın.** İş parçasını elle veya vücudunuza dayayarak tutma onu dengesiz bırakır ve kontrol kaybına yol açabilir.
- Daima koruyucu gözlükler kullanın. Normal gözlükler veya güneş gözlükleri koruyucu gözlük DEĞİLDİR.**
- Çivi kesmekten kaçının. İşleme başlamadan önce iş parçasını kontrol edip çivi varsa çıkarın.**
- Çok büyük parçaları kesmeyin.**
- Kesmeye başlamadan önce iş parçasının gerisinde bıçağın zemine, çalışma tezgahına vs. çarpmaması için yeterli boşluk bulunduğundan emin olun.**
- Aleti sıkı tutun.**
- Anahtarı açmadan önce bıçağın iş parçasına değmediğinden emin olun.**
- Ellerinizi hareketli parçalardan uzak tutun.**
- Aleti çalışır durumda bırakmayın. Aleti sadece elinizde tutarken çalıştırın.**
- Aleti iş parçasından çıkarmadan önce daima anahtarı kapatın ve bıçağın tamamen durmasını bekleyin.**
- Çalıştıktan hemen sonra bıçağa ya da iş parçasına dokunmayın; çok sıcak olabilir ve cildinizi yakabilirler.**
- Bu aleti gereksiz yere yüksüz çalıştırmayın.**
- Bazı malzemeler zehirli olabilen kimyasallar içerir. Toz yutmayı ve cilt temasını önlemek için tedbir alın. Malzeme sağlayıcısının güvenlik bilgilerine uyun.**
- Daima çalıştığınız malzeme ve yaptığınız işe uygun maske/respiratör kullanın.**

BU TALİMATLARI MUHAFAZA EDİNİZ.

⚠UYARI: Ürünü kullanırken (defalarca kullanınca kazanılan) rahatlık ve tanıdıklık duygusunun ilgili ürünün güvenlik kurallarına sıkı sıkıya bağlı kalmanın yerine geçmesine İZİN VERMEYİN. YANLIŞ KULLANIM veya bu kullanma kılavuzunda belirtilen emniyet kurallarına uymama ciddi yaralanmaya neden olabilir.

İŞLEVSEL NİTELİKLER

⚠DİKKAT: Alet üzerinde ayarlama ya da işleyiş kontrolü yapmadan önce aletin kapalı ve fişinin çekili olduğundan daima emin olun.

Kesme eylemini seçme

► **Şek.1:** 1. Kesme eylemi değiştirme kolu

Bu alet yörüngesel ya da düz bir hatta (yukarı ve aşağı) kesme eylemi için kullanılabilir. Yörüngesel kesme eylemi dekapaj testere bıçağını kesme darbesi yönünde ileri doğru saplar ve kesme hızını büyük ölçüde artırır.

Kesme eylemini değiştirmek için, kesme eylemi değiştirme kolunu istenen kesme eylemi konumuna döndürmeniz yeterlidir. Uygun kesme eylemini seçmek için aşağıdaki tabloya başvurun.

Konum	Kesme eylemi	Uygulamalar
0	Düz hatta kesme eylemi	Yumuşak çelik, paslanmaz çelik ve plastik kesmek için. Ahşap ve kontrplakta temiz kesimler için.
I	Küçük yörüngeli kesme eylemi	Yumuşak çelik, alüminyum ve sert ahşap kesmek için.
II	Orta yörüngeli kesme eylemi	Ahşap ve kontrplak kesmek için. Alüminyum ve yumuşak çelikte hızlı kesimler için.
III	Geniş yörüngeli kesme eylemi	Ahşap ve kontrplakta hızlı kesimler için.

Anahtar işlemi

⚠DİKKAT: Aleti fişe takmadan önce anahtar tetiğinin doğru çalıştığından ve bırakıldığında “OFF” (kapalı) konumuna döndüğünden emin olun.

► **Şek.2:** 1. Anahtar tetik 2. Güvenlik kilidi düğmesi

Makineyi çalıştırmak için anahtar tetiğini çekin. Anahtar tetiğinin üzerine yapılan baskı artırılarak aletin hızı artırılır. Durdurmak için anahtar tetiği serbest bırakın.

Süreklili çalıştırma için, anahtar tetiği çekin, kilitleme düğmesini itin ve ardından anahtar tetiği serbest bırakın. Aleti kilitletli pozisyondan çıkarmak için, anahtar tetiği tamamen çekip sonra serbest bırakın.

MONTAJ

⚠ DİKKAT: Alet üzerinde herhangi bir iş yapmadan önce aletin kapalı ve fişinin çekili olduğundan daima emin olun.

Dekupaj testere bıçağının takılması veya çıkarılması

⚠ DİKKAT: Her zaman dekupaj testere bıçağına ve/veya bıçak tutucuya yapışmış yabancı maddeleri temizleyin. Böyle yapılmaması bıçağın gevşek kalmasına neden olarak, ciddi kişisel yaralanmalara yol açabilir.

⚠ DİKKAT: İşlemin hemen ardından dekupaj testere bıçağına ya da iş parçasına dokunmayın. Bu parçalar aşırı derecede sıcak olabilir ve cilt yanıklarına yol açabilir.

⚠ DİKKAT: Dekupaj testere bıçağına daima iyice sabitleyin. Bıçağın yeterince sıkılmaması bıçağın kırılmasına ya da ciddi kişisel yaralanmalara neden olabilir.

⚠ DİKKAT: Sadece B tipi dekupaj testere bıçağı kullanın. B tipi dışındaki bıçakların kullanılması bıçağın yeterince sıkılmamasına neden olarak, ciddi kişisel yaralanmalara yol açabilir.

Dekupaj testere bıçağına takmak için, dekupaj testere bıçağı tutucusu üzerindeki civatayı altıgen anahtarla saatin aksi yönde gevşetin.

► **Şek.3:** 1. Dekupaj testere bıçağı tutucusu 2. Civata 3. Altıgen anahtar

Bıçak dişleri öne doğru bakacak şekilde, dekupaj testere bıçağına dekupaj testere bıçağı tutucusunun içine sonuna kadar takın. Bıçağın arka kenarının silindirin içine oturduğundan emin olun. Ardından, bıçağı sabitlemek için civatayı saat yönünde sıkılayın.

► **Şek.4:** 1. Civata 2. Silindir 3. Dekupaj testere bıçağı

Dekupaj testere bıçağına çıkarmak için, takma işleminin tersini uygulayın.

NOT: Silindiri ara sıra yağlayın.

Altıgen anahtarın saklanması

► **Şek.5:** 1. Kanca 2. Altıgen anahtar

Kullanılmadığı zamanlarda, altıgen anahtarın kaybolmasını önlemek için anahtarı şekilde gösterildiği gibi saklayın.

KULLANIM

⚠ DİKKAT: Tabanı daima iş parçasına dayalı tutun. Böyle yapılmaması dekupaj testere bıçağının kırılmasına neden olarak, ciddi bir yaralanmaya yol açabilir.

⚠ DİKKAT: Eğimli yerleri keserken veya kaydırarak keserken aleti çok yavaş bir şekilde ilerletin. Aleti zorlamak kesim yüzeyinin eğri olmasına ve dekupaj testere bıçağının kırılmasına yol açabilir.

► **Şek.6:** 1. Kesme hattı 2. Taban

Dekupaj testere bıçağı hiçbir şeyle temas etmeyecek konumdayken aleti çalıştırın ve bıçağın tam hızına ulaşmasını bekleyin. Ardından tabanı iş parçasının üzerine düz olarak yerleştirin ve aleti önceden işaretlenen kesme hattı üzerinde yavaşça ilerletin.

Eğimli kesim

⚠ DİKKAT: Tabanı eğmeden önce aletin kapalı ve fişinin çekili olduğundan daima emin olun.

⚠ DİKKAT: Eğimli kesimler yapmadan önce töz kapağını tamamen kaldırın.

Tabanı eğimli bir şekilde tutarak 0° ve 45° arasında (sol veya sağ) istediğiniz açıda eğimli kesimler yapabilirsiniz.

► **Şek.7**

Tabanın arka kısmı üzerindeki civatayı altıgen anahtarla gevşetin. Civata, tabanda yer alan artı şekilli yarığın merkezinde konumlanacak şekilde tabanı hareket ettirin.

► **Şek.8:** 1. Altıgen anahtar 2. Civata 3. Taban

İstenen eğimli açı elde edilene kadar tabanı eğin. Motor yuvasının kenarında eğim açıları derecelendirmelerle belirtilir. Ardından, tabanı sabitlemek için civatayı sıkılayın.

► **Şek.9:** 1. Kenar 2. Derecelendirme

Önden dayanılarak yapılan kesimler

► **Şek.10:** 1. Altıgen anahtar 2. Civata 3. Taban

Tabanın arka kısmı üzerindeki civatayı altıgen anahtarla gevşetin ve tabanı geriye doğru sonuna kadar kaydırın. Ardından, tabanı sabitlemek için civatayı sıkılayın.

Kesimler

Kesimler iki yöntemden biri kullanılarak yapılabilir: "Başlangıç deliği açma" veya "Dik kesim".

Başlangıç deliği açma

► **Şek.11**

Bir kenardan giriş kesimi yapılmayan dahili kesimler için, önce çapı 12 mm veya üzerinde olan bir başlangıç deliği açın. Kesiminize başlamak için dekupaj testere bıçağına bu deliğe yerleştirin.

Dik kesim

► Şek.12

Aşağıda anlatılanları dikkatlice uygularsanız bir başlangıç deliği delmeniz ya da bir giriş kesimi yapmanız gerekmez.

1. Dekupaj testere bıçağı noktasının iş parçası yüzeyinin hemen üzerinde olduğu konumda, alete tabanın ön kenarı üzerinde yukarı doğru eğim verin.
2. Aleti çalıştırdığımızda tabanın ön kenarı hareket etmeyecek şekilde alete basınç uygulayın ve aletin arkasını yavaşça ve nazikçe indirin.
3. Dekupaj testere bıçağı iş parçasını delerken aletin tabanını yavaşça iş parçasının yüzeyine doğru indirin.
4. Kesimi normal şekilde tamamlayın.

Kenarların finişinin yapılması

► Şek.13

Kenarları düzeltmek veya boyut ayarlamaları yapmak için, deкупaj testere bıçağını kesim kenarları boyunca hafifçe geçdirin.

Metal kesme

Metal keserken her zaman uygun bir soğutucu (kesme yağı) kullanın. Böyle yapmamak, deкупaj testere bıçağında belirgin aşınmaya sebep olur. Soğutucu kullanmak yerine iş parçasının alt tarafı yağlanabilir.

Toz çekme

► Şek.14: 1. Hortum

Bu alet Makita marka bir elektrikli süpürgeye bağlanarak temiz kesme işlemleri yapılabilir. Elektrikli süpürge nin hortumunu aletin arkasındaki deliğe takın.

NOT: Eğimli kesimler yaparken toz çekme işlevi kullanılamaz.

Destek perdesi

İsteğe bağlı aksesuar

⚠DİKKAT: Aksesuarları takmadan ya da çıkarmadan önce aletin kapalı ve fişinin çekili olduğundan daima emin olun.

Düz kesimler

Art arda 160 mm veya daha küçük genişliğe sahip kesimler yaparken, destek perdesi kullanılması hızlı, temiz düz kesimler yapılmasını sağlar.

► Şek.15: 1. Destek perdesi (Kılavuz çubuğu)

Takmak için, destek perdesini perde kılavuzu aşağı bakacak şekilde tabanın yan tarafındaki dikdörtgen deliğe yerleştirin. Destek perdesini istenen kesim genişliği konumuna kaydırın ve ardından sabitlemek için civatayı sıkılayın.

► Şek.16: 1. Altıgen anahtar 2. Cıvata 3. Perde kılavuzu 4. Destek perdesi (Kılavuz çubuğu)

Dairesel kesimler

Çapı 170 mm ya da daha düşük daireler veya yaylar keserken, destek perdesini aşağıdaki gibi takın.

► Şek.17: 1. Destek perdesi (Kılavuz çubuğu)

1. Destek perdesini perde kılavuzu yukarı bakacak şekilde tabanın yan tarafındaki dikdörtgen deliğe yerleştirin.
2. Dairesel kılavuz pimini perde kılavuzu üzerindeki iki delikten birine takın. Pimi sabitlemek için, dişli düğmeyi pimin üzerine vidalayın.
- Şek.18: 1. Dişli düğme 2. Perde kılavuzu 3. Destek perdesi (Kılavuz çubuğu) 4. Pim
3. Destek perdesini istenen kesim çapına kaydırın ve yerine sabitlemek için civatayı sıkılayın. Ardından tabanı ileri doğru sonuna kadar hareket ettirin.

NOT: Daireler veya yaylar keserken daima B-17, B-18, B-26 veya B-27 numaralı deкупaj testere bıçaklarını kullanın.

Çelik taban için kıymık önleyici cihaz

İsteğe bağlı aksesuar

► Şek.19: 1. Kıymık önleyici cihaz 2. Çıkıntı

Kıymıksız kesimler için kıymık önleyici cihaz kullanılabilir. Kıymık önleyici cihazı takmak için, tabanı gidebileceği kadar ileri hareket ettirip, cihazı tabanın iki çıkıntısı arasına yerleştirin.

NOT: Eğimli kesimler yaparken kıymık önleyici cihaz kullanılamaz.

BAKIM

⚠DİKKAT: Muayene ya da bakım yapmadan önce aletin kapalı ve fişinin çekili olduğundan daima emin olun.

ÖNEMLİ NOT: Benzin, tiner, alkol ve benzeri maddeleri kesinlikle kullanmayın. Renk değişimi, deformasyon veya çatlaklar oluşabilir.

Aleti EMNİYETLİ ve ÇALIŞMAYA HAZIR durumda tutmak için onarımlar, karbon fırça muayenesi ve değiştirilmesi, başka her türlü bakım veya ayarlamalar daima Makita yedek parçaları kullanılarak Makita Yetkili Servis Merkezleri ya da Fabrika Servis Merkezleri tarafından yapılmalıdır.

Makita Europe N.V. Jan-Baptist Vinkstraat 2,
3070 Kortenberg, Belgium

Makita Corporation 3-11-8, Sumiyoshi-cho,
Anjo, Aichi 446-8502 Japan

www.makita.com

885476A997
EN, FR, DE, IT, NL,
ES, PT, DA, EL, TR
20181116