

triton 760W Biscuit Jointer

TBJ001

EN Operating and Safety Instructions

NL Bedienings- en veiligheidsvoorschriften

FR Instructions d'utilisation et consignes de sécurité

DE Gebrauchs- und Sicherheitsanweisung

IT Istruzioni per l'uso e la sicurezza

ES Instrucciones de uso y de seguridad

PT Instruções de Operação e Segurança

PL Instrukcja obsługi i bezpieczeństwa

RU Инструкции по эксплуатации и правила техники безопасности

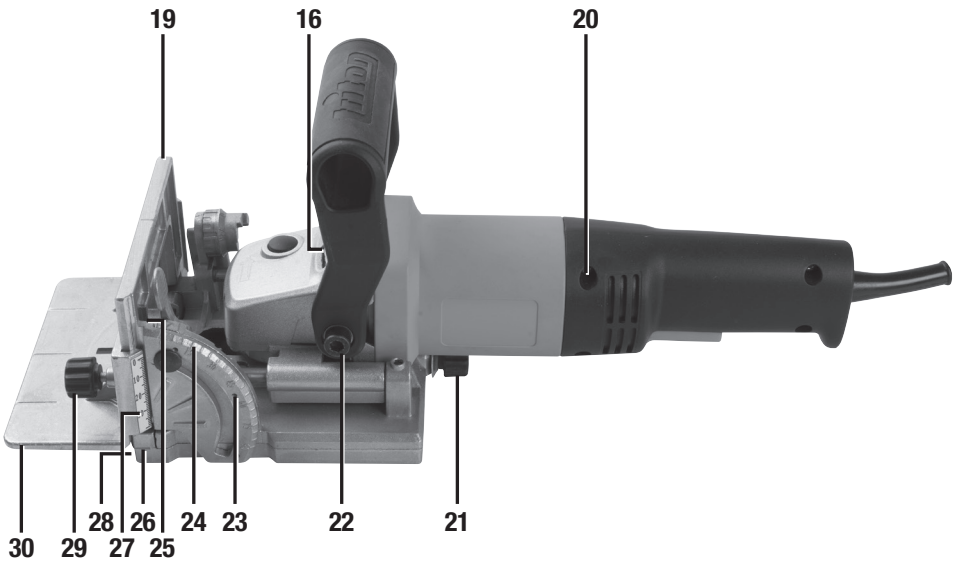
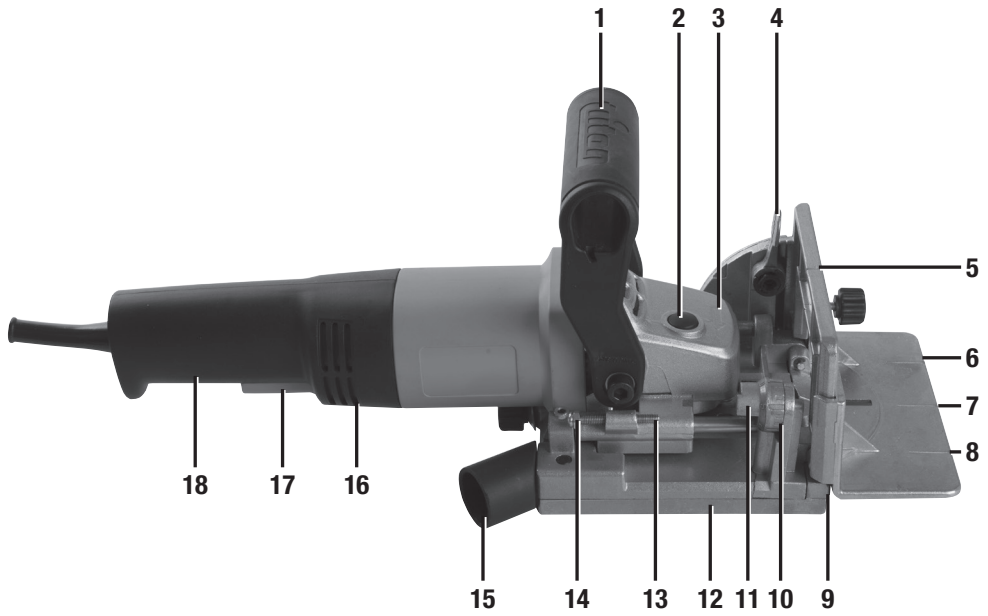


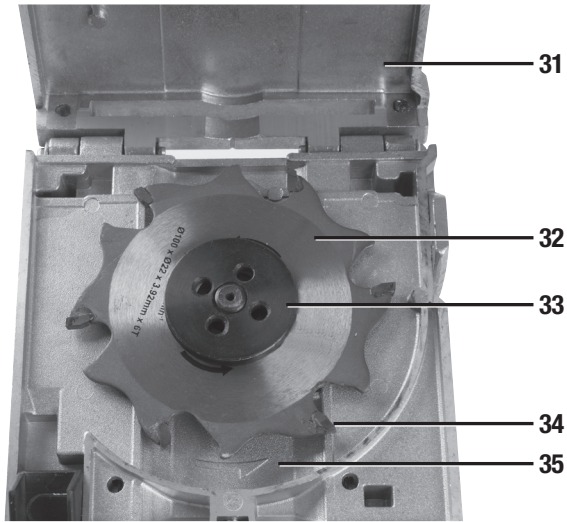
Designed in Europe 

Version date: 03.08.21

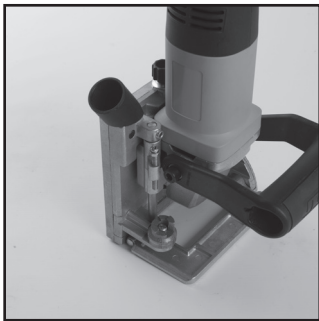
tritonetools.com



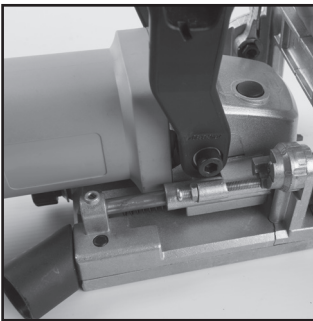




A



B



C



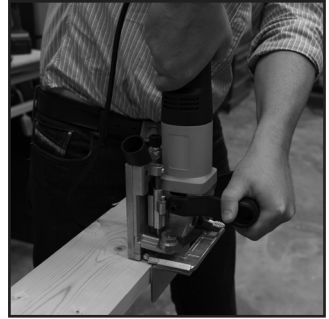
D



E



F



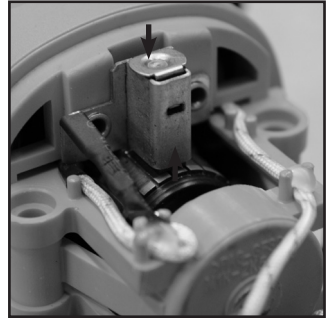
G



H



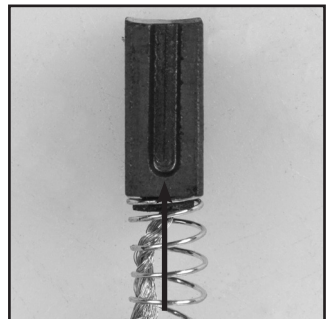
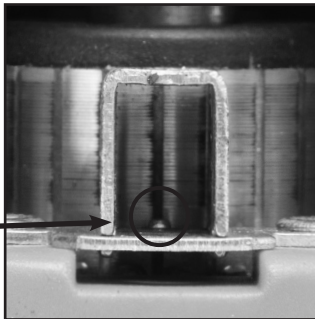
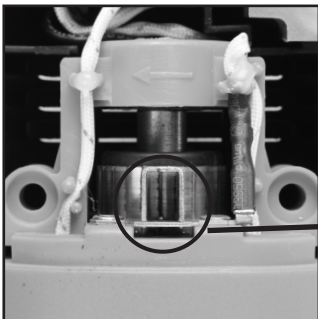
I



J

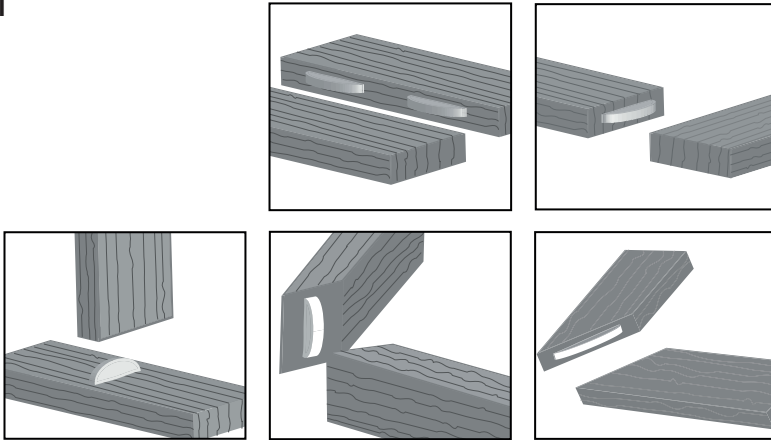


K

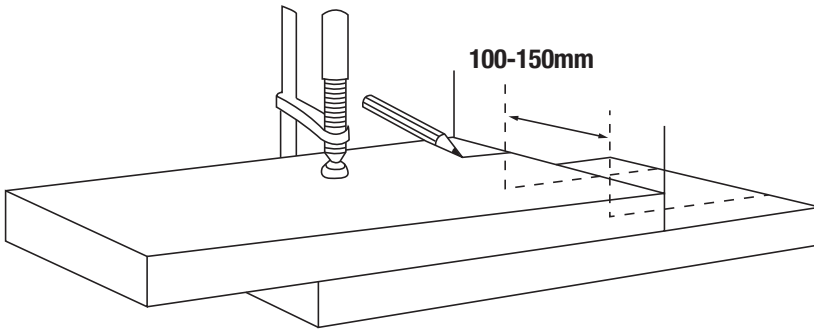


EN

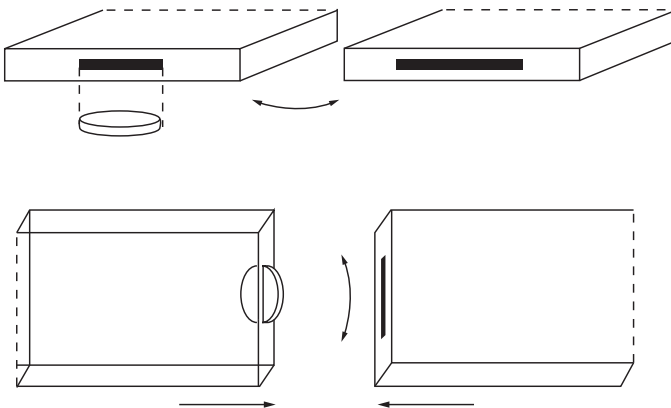
I



II



III



EN

Original Instructions

Introduction

Thank you for purchasing this Triton tool. This manual contains information necessary for safe and effective operation of this product. This product has unique features and, even if you are familiar with similar products, it is necessary to read this manual carefully to ensure you fully understand the instructions. Ensure all users of the tool read and fully understand this manual.

Description of Symbols

The rating plate on your tool may show symbols. These represent important information about the product or instructions on its use.



Wear hearing protection
Wear eye protection
Wear breathing protection
Wear head protection



Wear hand protection



Read instruction manual



Warning: Sharp blades or teeth!



DO NOT use in rain or damp environments!



Always disconnect from the power supply when adjusting, changing accessories, cleaning, carrying out maintenance and when not in use!



Dust extraction required or recommended



WARNING: Moving parts can cause crush and cut injuries



Caution!



Class II construction (double insulated for additional protection)



Environmental Protection
Waste electrical products should not be disposed of with household waste.
Please recycle where facilities exist. Check with your local authority or retailer for recycling advice.



Conforms to relevant legislation and safety standards.

Specification

Model no:	TBJ001
Voltage:	230V - 50Hz
Input power:	760W
No load speed:	11,600min ⁻¹
Fence angle range:	0 - 90°
Maximum cutting depth:	18mm
Blade diameter:	Ø100mm
Blade:	Ø100 x Ø22 x 3.92mm x 6T
Bore:	Ø22mm
Height adjustment:	0 - 40mm
Ingress protection:	IP20
Protection class:	
Power cord length:	3m
Dimensions (L x W x H):	460 x 138 x 145mm
Weight:	2.65kg

As part of our ongoing product development, specifications of Triton products may alter without notice.

Sound and vibration information:

Sound pressure L_{pa}:	92dB(A)
Sound power L_{wa}:	103dB(A)
Uncertainty K:	3dB
Weighted vibration	3.27m/s ²
Uncertainty	1.5m/s ²

The sound intensity level for the operator may exceed 85dB(A) and sound protection measures are necessary.

WARNING: Always wear ear protection where the sound level exceeds 85dB(A) and limit the time of exposure if necessary. If sound levels are uncomfortable, even with ear protection, stop using the tool immediately and check the ear protection is correctly fitted and provides the correct level of sound attenuation for the level of sound produced by your tool.

WARNING: User exposure to tool vibration can result in loss of sense of touch, numbness, tingling and reduced ability to grip. Long-term exposure can lead to a chronic condition. If necessary, limit the length of time exposed to vibration and use anti-vibration gloves. Do not operate the tool with hands below a normal comfortable temperature, as vibration will have a greater effect. Use the figures provided in the specification relating to vibration to calculate the duration and frequency of operating the tool.

Sound and vibration levels in the specification are determined according to EN60745 or similar international standards. The figures represent normal use for the tool in normal working conditions. A poorly maintained, incorrectly assembled, or misused tool, may produce increased levels of noise and vibration. www.osha.europa.eu provides information on sound and vibration levels in the workplace that may be useful to domestic users who use tools for long periods of time.

Technical Abbreviations Key

V	Volts	Hz	Hertz
~, AC	Alternating current	==>, DC	Direct current
A, mA	Ampere, milli-Amp	W, kW	Watt, kilowatt
n0	No load speed	/min or min⁻¹	Operations per minute
n	Rated speed	dB(A)	Decibel sound level (A weighted)
°	Degrees	m/s²	Metres per second squared (vibration magnitude)
Ø	Diameter		

General Safety

WARNING Read all safety warnings and all instructions. Failure to follow the warnings and instructions may result in electric shock, fire and/or serious injury.

WARNING: This appliance is not intended for use by persons (including children) with reduced, physical or mental capabilities or lack of experience or knowledge unless they have been given supervision or instruction concerning use of the appliance by a person responsible for their safety. Children must be supervised to ensure that they do not play with the appliance.

Save all warnings and instructions for future reference.

The term "power tool" in the warnings refers to your mains-operated (corded) power tool or battery-operated (cordless) power tool.

1) Work area safety

- Keep work area clean and well lit. Cluttered or dark areas invite accidents.
- Do not operate power tools in explosive atmospheres, such as in the presence of flammable liquids, gases or dust. Power tools create sparks which may ignite the dust or fumes.
- Keep children and bystanders away while operating a power tool. Distractions can cause you to lose control.

2) Electrical safety

- Power tool plugs must match the outlet. Never modify the plug in any way. Do not use any adapter plugs with earthed (grounded) power tools. Unmodified plugs and matching outlets will reduce risk of electric shock.
- Avoid body contact with earthed or grounded surfaces, such as pipes, radiators, ranges and refrigerators. There is an increased risk of electric shock if your body is earthed or grounded.
- Do not expose power tools to rain or wet conditions. Water entering a power tool will increase the risk of electric shock.
- Do not abuse the cord. Never use the cord for carrying, pulling or unplugging the power tool. Keep cord away from heat, oil, sharp edges or moving parts. Damaged or entangled cords increase the risk of electric shock.
- When operating a power tool outdoors, use an extension cord suitable for outdoor use. Use of a cord suitable for outdoor use reduces the risk of electric shock.
- If operating a power tool in a damp location is unavoidable, use a residual current device (RCD) protected supply. Use of an RCD reduces the risk of electric shock.

3) Personal safety

- Stay alert, watch what you are doing and use common sense when operating a power tool. Do not use a power tool while you are tired or under the influence of drugs, alcohol or medication. A moment of inattention while operating power tools may result in serious personal injury.
- Use personal protective equipment. Always wear eye protection. Protective equipment such as dust mask, non-skid safety shoes, hard hat, or hearing protection used for appropriate conditions will reduce personal injuries.
- Prevent unintentional starting. Ensure the switch is in the off-position before connecting to power source and/or battery pack, picking up or carrying the tool. Carrying power tools with your finger on the switch or energising power tools that have the switch on invites accidents.
- Remove any adjusting key or wrench before turning the power tool on. A wrench or a key left attached to a rotating part of the power tool may result in personal injury.
- Do not overreach. Keep proper footing and balance at all times. This enables better control of the power tool in unexpected situations.
- Dress properly. Do not wear loose clothing or jewellery. Keep your hair, clothing and gloves away from moving parts. Loose clothes, jewellery or long hair can be caught in moving parts.
- If devices are provided for the connection of dust extraction and collection facilities, ensure these are connected and properly used. Use of dust collection can reduce dust-related hazards.
- Power tool use and care
 - Do not force the power tool. Use the correct power tool for your application. The correct power tool will do the job better and safer at the rate for which it was designed.
 - Do not use the power tool if the switch does not turn it on and off. Any power tool that cannot be controlled with the switch is dangerous and must be repaired.
 - Disconnect the plug from the power source and/or the battery pack from the power tool before making any adjustments, changing accessories, or storing power tools. Such preventive safety measures reduce the risk of starting the power tool accidentally.
 - Store idle power tools out of the reach of children and do not allow persons unfamiliar with the power tool or these instructions to operate the power tool. Power tools are dangerous in the hands of untrained users.
 - Maintain power tools. Check for misalignment or binding of moving parts, breakage of parts and any other condition that may affect the power tool's operation. If damaged, have the power tool repaired before use. Many accidents are caused by poorly maintained power tools.
 - Keep cutting tools sharp and clean. Properly maintained cutting tools with sharp cutting edges are less likely to bind and are easier to control.
 - Use the power tool, accessories and tool bits etc. in accordance with these instructions, taking into account the working conditions and the work to be performed. Use of the power tool for operations different from those intended could result in a hazardous situation.

5) Service

- Have your power tool serviced by a qualified repair person using only identical replacement parts. This will ensure that the safety of the power tool is maintained.

Dowel and Biscuit Joiner Safety



WARNING!

- Joiners must be rated for at least the speed marked on the tool. Joiners running over rated speed can fly apart and cause injury.
- Always use the guard. The guard protects the operator from broken fragments and unintentional contact with the blade.
- Hold power tool by insulated gripping surfaces, because the cutter may contact its own cord. Cutting a "live" wire may make exposed metal parts of the power tool "live" and could give the operator an electric shock.
- Do not allow anyone under the age of 18 years to use this tool. Ensure that operators are familiar with these operating and safety instructions.
- If the replacement of the supply cord is necessary, this has to be done by the manufacturer or his agent in order to avoid a safety hazard.
- It is strongly recommended that the tool always be supplied via a residual current device with a rated residual current of 30 mA or less.

WARNING: Do not use blunt or damaged blades.

WARNING: Check the proper function of the guard retracting system before use.



Use appropriate respiratory protection: Use of this tool can generate dust containing chemicals known to cause cancer, birth defects or other reproductive harm. Some wood contains preservatives such as copper chromium arsenate (CCA) which can be toxic. When sanding, drilling, or cutting these materials extra care should be taken to avoid inhalation and minimise skin contact.

- Extension cable reels used with this tool must be completely unrolled. Minimum conductor cross section: 1.0mm²
- When using this tool outdoors, connect to a power supply with an RCD device and minimum 1.5mm² extension cable with water protected plugs in good working order
- Ensure that the cutter or blade is securely fitted before use. Insecure cutters or blades can be ejected from the machine causing a hazard
- Always wait until the tool has come to a complete stop before putting it down
- When using the tool, use safety equipment including safety glasses or shield, ear defenders, and protective clothing including safety gloves. Wear a dust mask if the drilling operation creates dust
- Ensure that the lighting is adequate
- Ensure that the cutter or blade is in NOT contact with the workpiece prior to starting up the tool
- Use both hands when operating this tool
- Always fit auxiliary handles supplied with the tool unless the instructions specifically state an exception for certain tasks
- Do not put pressure on the tool, to do so would shorten its service life
- Cutters and blades will get hot during operation, allow to cool prior to handling them
- Never use your hands to remove sawdust, chips or waste close to the cutter or blade
- If you are interrupted when operating the tool, complete the process and switch off before looking up
- Where possible, use clamps or a vice to hold your work
- Always disconnect the tool from the electric supply before changing a bit
- Examine the cutter or blade mounting regularly for signs of wear or damage. Have damaged parts repaired by a qualified service centre
- On completion of the work, disconnect the tool from the power source
- Periodically check all nuts, bolts and other fixings and tighten where necessary

Cutting Tool Safety

WARNING. Before connecting a tool to a power source (mains switch, power point receptacle, outlet, etc.) be sure that the voltage supply is the same as that specified on the nameplate of the tool. A power source with a voltage greater than that specified for the tool can result in serious injury to the user, and damage to the tool. If in doubt, do not plug in the tool. Using a power source with a voltage less than the nameplate rating is harmful to the motor.

Use the correct cutting tool

- Ensure the cutting tool is suitable for the job. Do not assume a tool is suitable without checking the product literature before use

Protect your eyes

- Always wear appropriate eye protection when using cutting tools
- Spectacles are not designed to offer any protection when using this product; normal lenses are not impact resistant and could shatter

Protect your hearing

- Always wear suitable hearing protection when tool noise exceeds 85dB

Protect your breathing

- Ensure that yourself, and others around you, wear suitable dust masks

EN

Protect your hands

- Do not allow hands to get close to the cutting wheel or blades. Use a suitable push stick for shorter workpieces with appropriate power tools

Be aware of others around you

- It is the responsibility of the user to ensure that other people in the vicinity of the work area are not exposed to dangerous noise or dust and are also provided with suitable protective equipment

Hidden objects

- Inspect the workpiece and remove all nails and other embedded objects before cutting
- Do not attempt to cut material that contains embedded objects unless you know that the cutting tool fitted to your machine is suitable for the job
- Walls may conceal wiring and piping, car body panels may conceal fuel lines, and long grass may conceal stones and glass. Always check the work area thoroughly before proceeding

Beware of projected waste

- In some situations, waste material may be projected at speed from the cutting tool. It is the user's responsibility to ensure that other people in the work area are protected from the possibility of projected waste

Fitting cutting tools

- Ensure cutting tools are correctly and securely fitted and check that wrenches / adjusters are removed prior to use
- Only use cutting tools recommended for your machine
- Do not attempt to modify cutting tools
- Ensure blades are sharp, in good condition and correctly fitted
- Do not attempt to resharpen blades that are not suitable for resharpening; these may include specially hardened blades or blades made from hardened alloys typically containing tungsten
- Blades that can be resharpened should be resharpened only according to the blade manufacturer's instructions. These may include a limited number of times the blade can be resharpened
- Sharpened blades should be more thoroughly inspected before use and replaced immediately if there is any doubt about their condition and suitability for use
- In the event blades encounter an embedded object in use that the blades are not suitable for, blades should be replaced immediately

Direction of feed

- Always feed work into the blade or cutter against the direction of movement of the blade or cutter

Beware of heat

- Cutting tools and workpieces may become hot in use. Do not attempt to change tools until they have been allowed to cool completely

Control dust / swarf

- Do not allow dust or swarf to build up. Sawdust is a fire hazard, and some metal swarf is explosive
- Be especially careful when cutting wood and metal. Sparks from metal cutting are a common cause of wood dust fires
- Where possible, use a dust extraction system to ensure a safer working environment

Product Familiarisation

1. Auxiliary Handle
2. Spindle Lock Button
3. Direction Indicator
4. Angle Lock
5. Face Centre Indicator
6. Fence Biscuit Edge Indicator (L)
7. Fence Blade Centre Indicator
8. Fence Biscuit Edge Indicator (R)
9. Non-Slip Pad
10. Depth Indicator
11. Turret Stop
12. Base
13. Depth Stop
14. Depth Stop Locking Nut
15. Dust Port
16. Motor Vent
17. On/Off Trigger Switch
18. Main Handle
19. Face
20. Handle Screws (x 4)
21. Blade Access Knob
22. Auxiliary Handle Bolt (x 2)
23. Click Stop (0°, 45° & 90°)
24. Angle Scale
25. Angle Indicator
26. Centre Blade Indicator
27. Fence Height Scale
28. Blade Slot
29. Fence Locking Knob
30. Fence
31. Base Lid
32. Saw Blade
33. Threaded Blade Flange
34. Blade Tooth Tip
35. Direction Indicator

Accessories (not shown): pin spanner, dust bag, hex key & case

Intended Use

Portable hand-held mains-operated power tool with a small circular saw blade that cuts slots into wood to create joints suitable for inserting various sizes of wood biscuits.

Unpacking Your Tool

- Carefully unpack and inspect your tool. Fully familiarise yourself with all its features and functions
- Ensure that all parts of the tool are present and in good condition. If any parts are missing or damaged, have such parts replaced before attempting to use this tool

Before Use

WARNING: Always disconnect this tool from the power supply before attaching or removing accessories, or making any adjustments.

IMPORTANT: Ensure the blade is securely fitted before first use. See 'Changing the saw blade'

Auxiliary Handle

- Fit the Auxiliary Handle (1) using the supplied Auxiliary Handle Bolts (22)
- Adjust the Auxiliary Handle (1) angle position by loosening the 2 Auxiliary Handle Bolts, adjusting and re-tightening the bolts

Dust extraction

- This tool should be connected to a workshop dust extraction system or vacuum cleaner via its Dust Port (15)
- If both are unavailable, the supplied dust bag needs to be fitted, by pushing it on to the Dust Port

Biscuit guide

Position Marking	Biscuit	Width	Length	Thickness	Cutting Depth
0	#0	15-16mm (5/8")	44-47mm (1-13/16")	4mm (19/128")	8mm (5/16")
10	#10	19mm (13/16")	53-54mm (2-1/16")	4mm (19/128")	10mm (3/8")
20	#20	25mm (15/16")	56-60mm (2-5/16")	4mm (19/128")	12.5mm (1/2")
S	#20	25mm (15/16")	56-60mm (2-5/16")	4mm (19/128")	13mm (1/2")
D	S6	30mm (1-1/8")	85mm (3-3/8")	4mm (19/128")	14.7-15mm (19/32")
MAX	N/A	Turret stop maximum depth of cut as adjusted (18mm (23/32") max)			
NOT COMPATIBLE	#H9	12mm	38mm	3mm	6-7mm (1/4")
NOT COMPATIBLE	Triton 7 (BJA050/BJA056)				

- Measurements are approximate

Adjusting the cutting height

Note: The groove for the biscuit dowel is normally in the middle of the workpiece edge so the cutting height needs to be adjusted to half the thickness of the material.

- The cutting height with the fitted Fence (30) can be adjusted from 0 – 40mm.
- Release the Fence Locking Knob (29)
 - Position the Fence at the required height using the Fence Height Scale (27)
 - Tighten the Fence Locking Knob to lock at the height required

Setting the fence angle

The Fence (30) has 90° of angle adjustment, with click-stops for quick and easy setting of 0°, 45° and 90° for angled cuts (image C).

To set the angle required:

- Release the Angle Lock (4) by pulling it away from the Face (19)
- Adjust the Face to the required angle using the Angle Scale (24) and Angle Indicator (25)
- Tighten the Angle Lock so that the Fence is secured at the required angle

Note: Check the Fence is securely locked in position before cutting; failure to do so may result in damage to the workpiece or the machine if it moves during use

Note: The Angle Scale is approximate only; use additional angle measuring equipment if necessary, to check the fence angle

Operation

IMPORTANT: It is recommended to use two hands where possible when operating the tool. Hold the Main Handle (18) of the jointer in one hand, with a finger resting comfortably on the On/Off Trigger Switch (17) and with the other hand hold the Auxiliary Handle (1) so the tool is securely held.

IMPORTANT: Check the guard mechanism is operating smoothly and correctly before actual use.

Note: If using the dust bag, remove and clean out on a regular basis. Ideally, empty the dust bag when it is half full.

Adjusting the depth of cut

The tool features a Turret Stop (11) with 6 depth positions (0, 10, 20, S, D & Max) and supports a wide range of biscuit dowels or plates. See Biscuit guide below.

It is recommended to calibrate the tool using the size of biscuit you will mainly be using. A typical biscuit size is #10.

- Select position '10' by rotating the Turret Stop (11) until '10' is indicated by the Depth Indicator (10)
- Push forward on the Auxiliary Handle (1) until the Depth Stop (13) contacts the Turret Stop (Image B) and measure the length of the exposed blade protruding from the Blade Slot (28). Ensure one Blade Tooth Tip (34) is at the maximum distance from the slot by rotating the Saw Blade (32) so a Blade Tooth Tip is in the middle then measure from this tip to the surface of the Blade Slot
- The measurement should be 10mm for #10 as indicated in the chart below. If different loosen the Depth Stop Locking Nut (14) and adjust the Depth Stop to reduce or extend its length to the required 10mm blade depth
- Once correctly set tighten the Depth Stop Locking Nut

WARNING: Failure to correctly adjust the cutting depth could cause damage to the workpiece.

Note: The other depth positions on the Turret Stop will now be correctly set with the most accurate being the position used for calibration.

Note: Always make a trial cut on scrap material to confirm the settings.

Switching on and off

- To start the tool squeeze the On/Off Trigger Switch (17)
- Release the On/Off Trigger Switch to turn off

Notes:

- In order to cut biscuit slots into the workpiece as required, first set up the tool according to the 'Before Use' instructions (above), and prepare the workpiece(s) by marking in pencil at the required cutting points (Fig. II)
 - The tool features multiple indicators to assist in positioning the tool against the workpiece. The Face Centre Indicator (5) and Fence Blade Centre Indicator (7) indicate the centre of the blade. Two Fence Biscuit Edge Indicators (6 & 8) indicate the edge for larger biscuits not the outer edges of the blade, this is indicated further back on the fence. A Centre Blade Indicator (26) on the side of the base indicates the blade height position for the standard 4mm thickness blade
 - It is important that the workpieces are accurately marked. It may be easier to loosely assemble the two pieces together in exactly the required position and mark with a pencil across both pieces, and then cut the slots. Assemble loosely again, with the first biscuit fitted, before marking again where subsequent biscuits are required. Ideally a middle position in the wood is preferable for the first slot
 - There is a tolerance when joining wood with biscuits as slots can be extended if necessary but it is better to work accurately and measure frequently
 - Dowels can be placed in a wide range of positions when joining wood pieces (Fig. I) and if necessary where biscuits are needed on multiple faces enlarged wider slots (Fig. III) can be used to allow a workpiece to connect on multiple sides more easily
 - The workpiece will need to be clamped to the workbench, although it is possible the use of a non-slip mat between the workpiece and workbench surface will be sufficient in some instances
- Select the correct biscuit size on the Turret Stop (11)
 - Hold the body of the machine with one hand so that a finger rests on the On/Off Trigger Switch (17)
 - Carefully align the tool markings with the pencil marks on the workpiece and position the tool in readiness to cut the slot
 - Position the machine against the workpiece so that the Face (19) and the underside of the Fence (30) are fully in contact with the workpiece
 - Press down on the front of the Fence with the fingers of your other hand to hold the tool in position, and check there are no gaps under the Face or underside of the Fence

EN

Note: It may be necessary to secure the tool by applying pressure on the Fence (30) (Image H) rather than holding the Auxiliary Handle (1) to ensure the tool stays in the same position on the wood.

Note: It may also be necessary to apply pressure if you are using a non-slip mat to secure the workpiece, which requires more downward pressure on the workpiece. Only do so if you are comfortable holding the tool with only one hand on the main body. Ideally both hands should be used to hold the tool during operation with the workpiece firmly clamped to the work surface for maximum safety.

6. Press the On/Off Trigger Switch (17), allow the blade to reach normal speed and push the body of the machine forward so that the Saw Blade (32) penetrates the workpiece (Image H)

7. Push the body of the machine forward as far as it will go, until arrested by the Depth Stop (13) on the Turret Stop (11) to create the required slot in the workpiece

8. While keeping the tool powered, allow the body of the tool to return to its original position, removing the Saw Blade from the workpiece. Hold the tool securely with both hands while doing so

9. Once the Saw Blade exits the workpiece, release the On/Off Trigger Switch

Note: The return spring will cause the body to move automatically back to the rest position, withdrawing the Saw Blade from the workpiece, while still applying some pressure to the Face and Fence. The operator should carefully control the exit of the Saw Blade, taking care to maintain the tool in exactly the same position in relation to the cut slot

10. Once the Saw Blade is clear of the workpiece and have stopped rotating, lift the tool away from the workpiece

Note: It is recommended to practise using the tool on scrap pieces of wood first so you can fully understand how it operates.

Note: Always do a dry fit of the pieces of wood with fitted biscuits before applying wood glue for the final assembly as the glue will activate the biscuits and cause them to expand slightly in addition to bonding the two workpieces together making re-fitting difficult if incorrect.

Positioning

- In order to cut the corresponding slot in the face of the joining workpiece, the machine needs to be positioned perpendicular to that face (images D, E & F)
- It is recommended that you work with the machine bearing down on the workpiece, so that the weight of the machine works with the direction of operation, as opposed to attempting to drive holes upwards from below the workpiece
- If you need to cut a slot too far from an edge (internal or pocket cut) remove the Fence (30) by loosening the Fence Locking Knob (29) and lifting off the tool. The jointer can now rest vertically on a surface and be positioned freely - even on large workpieces (Image A). Ensure the tool is secure in position before cutting. Clamped wood on the surface of the workpiece can be used as a guide which will prevent the tool moving on both axes
- For some other cuts the Fence will prevent the cut and will need to be removed (Image G)

Other joints

Note: The versatility of this tool goes far beyond what is covered in this manual and this serves only as an introduction to its features and operation.

Accessories

A wide range of accessories is available from your Triton dealer. Spares can be ordered through your Triton dealer or www.toolsparsonline.com.

Maintenance

WARNING: ALWAYS disconnect the tool from the power supply, before cleaning or carrying out maintenance.

- Inspect the supply cord of the tool prior to each use for damage or wear. Repairs should be carried out by an authorised Triton service centre. This advice also applies to extension cords used with this tool

General inspection

- Regularly check that all the fixing screws are tight. They may vibrate loose over time

Lubrication

- Lubricate all moving parts with a suitable lubricant spray, at regular intervals

Changing the saw blade

WARNING: ALWAYS wear cut-proof gloves when handling saw blades.

IMPORTANT: Never fit a damaged, heavily worn or blunt saw blade.

IMPORTANT: The saw blade rpm must match or exceed the no load speed of the tool (see specification).

1. Turn the device on its back, with the bottom of the Base (12) facing upward
2. Unscrew the Blade Access Knob (21) until the Base Lid (31) can be raised. Ensure the Fence (30) is at a height away from the Base
3. Press the Spindle Lock Button (2) and use the supplied pin spanner to remove the Threaded Blade Flange (33)
4. Remove the Saw Blade (32)
5. Insert a new Saw Blade of identical type and dimensions (see 'Specification')

WARNING: ALWAYS observe the direction of rotation, as indicated by the Direction Indicator (35 & 3).

6. Refit the Threaded Blade Flange, press in the Spindle Lock Button and tighten the Threaded Blade Flange with the pin spanner

7. Release the Spindle Lock Button, lower the Base Lid and re-tighten the Blade Access Knob

Cleaning

WARNING: ALWAYS wear protective equipment including eye protection and gloves when cleaning this tool.

- Keep your tool clean at all times. Dirt and dust will cause internal parts to wear quickly, and shorten the device's service life
- Clean the body of your machine with a soft brush, or dry cloth
- Never use caustic agents to clean plastic parts. If dry cleaning is not sufficient, a mild detergent on a damp cloth is recommended
- Water must never come into contact with the tool
- Ensure the tool is thoroughly dry before using it
- If available, use clean, dry, compressed air to blow through the ventilation holes (where applicable)

Brushes

- Over time the carbon brushes inside the motor may become worn
 - Excessively worn brushes may cause loss of power, intermittent failure, or visible sparking
- To replace the brushes;

1. Remove the Handle Screws (20) that secure the Main Handle (18) housing
 2. Remove the two sides carefully making sure not to pull or damage the cables
 3. Carefully use a screwdriver to push in the small notch at the front indicated by the lower arrow (Image I)
 4. Carefully press in the other side of the brush base as indicated with the upper arrow then carefully remove the brush from the brush housing
 5. Remove both worn brushes and replace with new (Image J)
 6. Refit the housing carefully then insert and tighten the Handle Screws
- Alternatively, have the machine serviced at an authorised Triton service centre

Note: Always replace carbon brushes in pairs.

Disposal

Always adhere to national regulations when disposing of power tools that are no longer functional and are not viable for repair.

- Do not dispose of power tools, or other waste electrical and electronic equipment (WEEE), with household waste
- Contact your local waste disposal authority for information on the correct way to dispose of power tools

Guarantee

To register your guarantee visit our web site at tritonertools.com* and enter your details.

Purchase Record

Date of Purchase: ___/___/___

Model: TBJ001

Retain your receipt as proof of purchase

Triton Precision Power Tools guarantees to the purchaser of this product that if any part proves to be defective due to faulty materials or workmanship within 3 YEARS from the date of original purchase, Triton will repair, or at its discretion replace, the faulty part free of charge.

This guarantee does not apply to commercial use nor does it extend to normal wear and tear or damage as a result of accident, abuse or misuse.

* Register online within 30 days.

Terms & conditions apply.

This does not affect your statutory rights

Australian Warranty Information

You may wish to register your product at www.tritonertools.com but you are not under any obligation to do so.

Our goods come with guarantees that cannot be excluded under the Australian Consumer Law.

You are entitled to a replacement or refund for a major failure and for compensation for any other reasonably foreseeable loss or damage. You are also entitled to have the goods repaired or replaced if the goods fail to be of acceptable quality and the failure does not amount to a major failure.

This product is guaranteed against faulty materials and workmanship for 3 YEARS from the date of purchase. Please retain your receipt as proof of purchase.

This warranty does not cover defects caused by or resulting from:

- (a) misuse, abuse or neglect;
- (b) trade, professional or hire use;
- (c) repairs attempted by anyone other than our authorised repair centres; or
- (d) damage caused by foreign objects, substances or accident.

Warranty Exclusions

Wearing parts, consumable items or service-related parts required when performing normal and regular maintenance of this product are not covered by the warranty unless it is found to be defective by an Authorised Service Centre.

Distributed in Australia by Carbatec:

Carbatec Pty Ltd, 128 Ingleston Road, Wakerley, QLD 4161

Enquiries

Email: callcentre@carbatec.com.au

Freecall number: 1800 658 111

The Carbatec policy is one of continuous improvement and the company reserves the right to alter designs, colours and specifications without notice.

EN

Vertaling van de originele instructies

Introductie

Hartelijk dank voor de aanschaf van dit Triton- gereedschap. Deze instructies bevatten informatie die u nodig hebt voor een veilige en doeltreffende bediening van dit product. Dit product heeft unieke kenmerken. Zelfs als u bekend bent met gelijksoortige producten dient u deze handleiding zorgvuldig door te lezen, zodat u in staat bent alle voordelen te benutten. Houd deze handleiding bij de hand en zorg ervoor dat alle gebruikers van dit gereedschap de handleiding hebben gelezen en volledig hebben begrepen.

Beschrijving symbolen

Op het gegevensplaatje van uw gereedschap kunnen zich symbolen bevinden. Deze vertegenwoordigen belangrijke productinformatie en gebruiksinstructies.



Draag gehoorbescherming
Draag een veiligheidsbril
Draag een stofmasker
Draag een veiligheidshelm



Draag handschoenen



Lees de handleiding



Waarschuwing: scherpe bladen of tanden!



Gebruik niet de regen of in vochtige omstandigheden!



Ontkoppel de machine van de stroombron voor het maken van aanpassingen, het verwisselen van accessoires, het schoonmaken, het uitvoeren van onderhoud en wanneer de machine niet in gebruik is!



Stofontginning vereist of aanbevolen



WAARSCHUWING: Bewegende delen kunnen ernstig letsel veroorzaken.



Voorzichtig!



Beschermingsklasse II (dubbel geïsoleerd)



Milieubescherming
Elektrische producten mogen niet met het normale huisvuil worden weggegooid. Indien de mogelijkheid bestaat, dient u het product te recyclen. Vraag de plaatselijke autoriteiten of winkelier om advies betreffende recyclen.



Voldoet aan de relevante wetgeving en veiligheidsnormen

Technische afkortingen en symbolen

V	Volt	Hz	Hertz
~, AC	Wisselspanning	===, DC	Gelijkspanning
A, mA	Ampère, milliampère	W, kW	Watt, kilowatt
n0	Onbelaste snelheid	/min or min⁻¹	Operaties per minuut
n	Snelheid	dB(A)	Decibel geluidsniveau (A)
°	Graden	m/s²	Meters per seconde (trilling)
Ø	Diameter		

Specificaties

Modelnummer:	TBJ001
Spanning:	230 V~, 50 Hz
Ingangsvermogen:	760 W
Onbelaste snelheid:	11.600 min ⁻¹
Geleider hoekbereik:	0 - 90°
Maximale zaagdiepte:	18 mm
Blad diameter:	Ø100 mm
Blad:	Ø100 x Ø22 x 3,92 mm x 6T
Asgat:	Ø22mm
Hoogte verstelling:	0 - 40 mm
Beschermingsgraad:	IP20
Beschermingsklasse:	
Stroomsnoer lengte:	3 m
Afmetingen (L x B x H):	460 x 145 x 138 mm
Gewicht:	2,65 kg
Met het oog op onze aanhoudende productontwikkeling kunnen de specificaties van Triton producten zonder voorafgaande kennisgeving worden gewijzigd.	
Geluid en trilling:	
Geluidsdruk L_{p2}:	92 dB(A)
Geluidsvermogen L_{wa}:	103 dB(A)
Onzekerheid K:	3 dB
Trilling:	3,27 m/s ²
Onzekerheid:	1,5 m/s ²
De geluidsintensiteit voor de bediener kan 85 dB (A) overschrijden en de gehoorbescherming is noodzakelijk	

WAARSCHUWING: Bij een geluidsintensiteit van 85 dB(A) of hoger is het dragen van gehoorbescherming en het limiteren van de blootstellingstijd vereist. Bij oncomformabel hoge geluidsniveaus, zelfs met het dragen van gehoorbescherming, stopt u het gebruik van de machine onmiddellijk. Controleer de pasvorm en het geluiddemingsniveau van de bescherming.

WAARSCHUWING: Blootstelling aan trilling resulteert mogelijk in gevoelloosheid, tinteling en een verminderd gripvermogen. Langdurige blootstelling kan leiden tot chronische condities. Limiteer de blootstellingsduur en draag anti-vibratie handschoenen. Vibratie heeft een grote invloed op handen met een temperatuur lager dan een normale, comfortabele temperatuur. Maak gebruik van de informatie in de specificaties voor het berekenen van de gebruiksduur en frequentie van de machine.

Geluid- en trillingsniveaus in de specificatie zijn vastgesteld volgens internationale norm. De waarden gelden voor een normaal gebruik in normale werkomstandigheden. Een slecht onderhouden, onjuist samengestelde of onjuist gebruikte machine produceert mogelijk hogere geluids- en trillingsniveaus. www.osha.europa.eu biedt informatie met betrekking tot geluids- en trillingsniveaus op de werkplek wat mogelijk nuttig is voor regelmatige gebruikers van machines.

Algemene veiligheid

WAARSCHUWING Lees alle bediening- en veiligheidsvoorschriften. *Het niet opvolgen van alle voorschriften die hieronder vermeld staan, kan resulteren in een elektrische schok, brand en/of ernstig letsel.*

Bewaar deze voorschriften voor toekomstig gebruik.

De term "elektrisch gereedschap" in alle hieronder vermelde waarschuwingen heeft betrekking op uw elektrische gereedschap dat op de stroom is aangesloten (met een snoer) of met een accu wordt gevoed (snoerloos).

- 1) **Veiligheid in de werkuimte**
 - a) **Houd de werkuimte schoon en zorg voor een goede verlichting.** Rommelige en donkere ruimtes leiden vaak tot ongelukken.
 - b) **Werk niet met elektrisch gereedschap in explosieve omgevingen, bijvoorbeeld in de aanwezigheid van ontvlambare vloeistoffen, gassen of stof.** Elektrisch gereedschap brengt vonken tewege die stof of dampen kunnen doen ontbranden.
 - c) **Houd kinderen en omstanders uit de buurt wanneer u elektrisch gereedschap bedient.** Door afleiding kunt u de controle over het gereedschap verliezen.

2) Elektrische veiligheid

- a) **De stekkers van het elektrische gereedschap moeten passen bij het stopcontact. Pas de stekker niet aan.** Gebruik geen adapterstekkers bij geaard elektrisch gereedschap. *Het gebruik van ongeschikte stekkers en passende stopcontacten vermindert het risico op een elektrische schok.*
- b) **Vermijd lichamelijk contact met geaarde oppervlakken zoals pijpen, radiatoren, fornuizen en koelkasten.** Het risico op een elektrische schok neemt toe als uw lichaam geaard wordt.
- c) **Laat elektrisch gereedschap niet nat worden.** Wanneer elektrisch gereedschap nat wordt, neemt het risico op een elektrische schok toe.
- d) **Beschadig het snoer niet.** Gebruik het snoer nooit om het elektrisch gereedschap te dragen, te trekken of om de stekker uit het stopcontact te trekken. Houd het snoer uit de buurt van hitte, olie, scherpe randen of bewegende delen. Een beschadigd of in de knoop geraakt snoeren verhoogt het risico op een elektrische schok toe.
- e) **Wanneer u elektrisch gereedschap buiten gebruikt, maak dan gebruik van een verlengsnoer dat geschikt is voor gebruik buitenshuis.** Gebruik een verlengsnoer dat geschikt is voor gebruik buitenshuis om het risico op een elektrische schok te verminderen.
- f) **Indien het onvermijdelijk is elektrisch gereedschap te gebruiken in een vochtige omgeving, gebruik dan een energiebron met een aard lek beveiliging (Residual Current Device).** Het gebruik van een RCD vermindert het risico op een elektrische schok.
- g) **WAARSCHUWING: Wanneer de machine in Australië of Nieuw-Zeeland gebruikt wordt, met een lekstroom van 30 mA of lager, is het gebruik van een aardlekschakelaar aanbevolen**

3) Persoonlijke veiligheid

- a) **Blijf alert en gebruik uw gezonde verstand wanneer u elektrisch gereedschap bedient.** Gebruik het elektrisch gereedschap niet wanneer u vermoeid bent of onder invloed van drugs, alcohol of medicijnen. *Onoplettendheid tijdens het bedienen van elektrisch gereedschap kan leiden tot ernstig letsel.*
- b) **Maak gebruik van persoonlijke bescherming.** Draag altijd een veiligheidsbril. Passende bescherming voor de omstandigheden, zoals een stofmasker, niet-slippende veiligheidschoenen en een helm of gehoorbescherming, vermindert het risico op persoonlijk letsel.
- c) **Zorg ervoor dat het apparaat niet per ongeluk wordt gestart. Controleer of de schakelaar in de 'uit' stand staat voordat u de stekker in het stopcontact steekt.** Het dragen van elektrisch gereedschap met uw vinger op de schakelaar of het aansluiten op de stroom van elektrisch gereedschap met de schakelaar ingeschakeld kan tot ongelukken leiden.
- d) **Verwijder alle stel- of moersleutels voordat u het elektrische gereedschap inschakelt.** Een moer- of stelsleutel die zich op een draaiend onderdeel van het elektrische gereedschap bevindt, kan leiden tot letsel.
- e) **Reik niet te ver. Blijf altijd stevig en in balans staan.** Zo houdt u meer controle over het elektrische gereedschap in onverwachte situaties.
- f) **Draag geschikte kleding.** Draag geen loshangende kleding of sieraden. Houd haren, kleding en handschoenen uit de buurt van bewegende delen. *Loshangende kleding, sieraden en los hangende haren kunnen vast komen te zitten in bewegende delen.*
- g) **Als er onderdelen voor stofafvoer- en stofverzameling worden meegeleverd, sluit deze dan aan en gebruik deze op de juiste wijze.** Het gebruik van deze onderdelen kan het risico op stofgerelateerde ongelukken verminderen.
- 4) **Gebruik en verzorging van elektrisch gereedschap**
 - a) **Forceer elektrisch gereedschap niet.** Gebruik elektrisch gereedschap dat geschikt is voor het werk dat u wilt uitvoeren. *Geschikt elektrisch gereedschap werkt beter en veiliger op een passende snelheid.*
 - b) **Gebruik het elektrische gereedschap niet als de schakelaar het apparaat niet in- en uitschakelt.** Elektrisch gereedschap dat niet bedient kan worden met de schakelaar is gevaarlijk en moet gerepareerd worden.
 - c) **Haal de stekker uit het stopcontact voordat u instellingen aanpast, toebehoren verwisselt of het elektrische gereedschap opbergt.** Dergelijke voorzorgsmaatregelen verminderen het risico op het per ongeluk starten van het elektrische gereedschap.
 - d) **Berg elektrisch gereedschap dat niet in gebruik is op buiten bereik van kinderen en laat mensen die niet bekend zijn met het elektrische gereedschap of met deze instructies het elektrische gereedschap niet bedienen.** Elektrisch gereedschap is gevaarlijk in de handen van onervaren gebruikers.

- e) **Onderhoud uw elektrisch gereedschap.** Controleer op foute uitlijning of het vastslaan van bewegende delen, gebroken onderdelen en elke andere afwijking die de werking van het elektrische gereedschap zou kunnen beïnvloeden. Indien het elektrische gereedschap beschadigd is, moet u het laten repareren voordat u het weer gebruikt. *Veel ongelukken worden veroorzaakt door slecht onderhouden elektrisch gereedschap.*
- f) **Houd snijwerktuigen scherp en schoon.** Goed onderhouden snijwerktuigen met scherpe messen slaan minder snel vast en zijn gemakkelijker te bedienen.
- g) **Gebruik het elektrische gereedschap, toebehoren en onderdelen, etc. volgens deze instructies en volgens bestemming voor het specifieke type elektrisch gereedschap, en houd daarbij rekening met de werkomstandigheden en het uit te voeren werk.** Gebruik van elektrisch gereedschap voor werkzaamheden die verschillen van die waarvoor het apparaat bestemd is, kan leiden tot gevaarlijke situaties.

5) Onderhoud

- a) **Laat uw elektrische gereedschap onderhouden door een gekwalificeerde vakman en gebruik alleen identieke vervangstukken.** Zo bent u er zeker van dat de veiligheid van het elektrische gereedschap gewaarborgd blijft.

Deuvelmachine veiligheid



WAARSCHUWING!

- **Bits en bladen dienen minimaal getest te zijn op de aanbevolen snelheid, weergegeven op de machine.** Wanneer de maximale snelheid van de bits/bladen overschreden wordt, breken deze mogelijk wat kan resulteren in ernstig letsel
- **Beschermkappen en andere ingehoude veiligheids eigenschappen dienen te allen tijde gebruikt te worden.** Deze beschermen de gebruiker tegen gebroken bits/bladen en onbedoeld contact met scherpe randen
- **Houdt elektrische machines te allen tijde bij de geïsoleerde handvaten vast, wanneer het door bit tijdens gebruik mogelijk in contact kan komen met elektriciteitsdraden.** Het contact met elektriciteitsdraden resulteert mogelijk in elektrische schok
- **Personen jonger dan 18 jaar mogen de machine niet gebruiken.** Gebruikers dienen deze handleiding aandachtig door te lezen
- **Wanneer het stroomsnoer beschadigd is dient deze door de fabrikant vervangen te worden om veiligheidsrisico's te voorkomen**
- **Het is aanbevolen gebruik te maken van een aardlekschakelaar met een lekstroom van 30 mA of lager**

WAARSCHUWING: Gebruik geen botte of beschadigde bladen

WAARSCHUWING: Controleer voor elk gebruik of het beschermkapstelsel juist functioneert



Maak gebruik van een geschikt stofmasker: Het gebruik van de machine produceert mogelijk stoffen die kankerwekkend zijn, kunnen leiden tot aangeboren afwijkingen en andere gezondheidsproblemen. Sommige houtsoorten bevatten koper-chroom arseenzouten (CCA), welke giftig kunnen zijn. Ben extra voorzichtig bij het bewerken van deze houtsoorten. Voorkom inhalering en minimaliseer huidcontact

- a) **Haspels die gebruikt worden met de machine dienen volledig uitgerold te zijn.** Minimale aderdikte 1,0 mm2
- b) **Wanneer de machine buiten gebruikt wordt, sluit u deze op een aardlekschakelaar en een verlengsnoer met 1,5 mm2 aderdikte en waterbestendige stekkers aan**
- c) **Zorg ervoor dat bits/bladen juist bevestigd zijn.** Onjuist bevestigde bits/bladen kunnen tijdens gebruik losschieten. Dit resulteert mogelijk in persoonlijk letsel
- d) **Wacht tot de machine volledig stilstaat voordat u deze neerlegt**
- e) **Bij het gebruik van de machine is het dragen van de volgende veiligheidsuitrusting verplicht: veiligheidsbril, gehoorbescherming en beschermende kleding.** Wanneer de machine stof produceert is het dragen van een geschikt stofmasker aanbevolen
- f) **Zorg voor voldoende verlichting**
- g) **Zorg ervoor dat het bit/blad niet in contact staat met het werkstuk voordat u de machine inschakelt**
- h) **Houdt de machine te allen tijde met beide handen vast**
- i) **Hulphandvaten dienen te allen tijde gebruikt te worden, tenzij de handleiding specifiek een uitzondering maakt voor bepaalde werkzaamheden**
- j) **Oefen niet te veel druk op de machine uit.** Dit verkort de levensduur
- k) **Bits/bladen worden tijdens gebruik erg heet.** Raak bits/bladen niet aan voordat deze volledig afgekoeld zijn
- l) **Verwijder zaagsel of vuil dicht bij het bit/blad niet met uw handen**
- m) **Wanneer u tijdens het gebruik van de machine gestoord wordt, maakt u het werk af en schakelt u de machine uit, voordat u opkijkt**
- n) **Maak wanneer mogelijk gebruik van klemmen of bankschroeven om het werkstuk vast te zetten**
- o) **Ontkoppel de stekker van het stopcontact voordat bits/bladen gewisseld worden**
- p) **Controleer de spankop regelmatig op tekenen van slijtage en/of schade.** Beschadigde onderdelen dienen door een gekwalificeerd persoon te worden vervangen
- q) **Wanneer het werk voltooid is haalt u de stekker uit het stopcontact**
- r) **Controleer bouten, moeren en andere bevestigingsmiddelen regelmatig en draai deze wanneer nodig vast**

NL

Snijwerktuig veiligheid

WAARSCHUWING: Voordat u de machine op de stroombron aansluit, controleert u of de spanning gelijk is aan de spanning weergegeven op het gegevensplaatje van de laminaatzaag. De aansluiting op een stroombron met een hogere spanning kan resulteren in serieuze verwondingen aan de gebruiker en beschadigingen aan de machine. Een lagere spanning is schadelijk voor de motor. Sluit de machine bij enige twijfel niet aan

Gebruik het juiste gereedschap

- Zorg ervoor dat uw gereedschap geschikt is voor de klus. Raadpleeg altijd eerst de gebruiksaanwijzing van het product. Neem niet zonder meer aan dat het gereedschap geschikt is

Bescherm uw ogen

- Draag bij het gebruik van snijwerktuigen altijd geschikte oogbescherming
- Een gewone bril is niet ontworpen om bescherming te bieden bij het gebruik van dit product. Normale lenzen zijn niet schokvast en kunnen versplinteren

Bescherm uw gehoor

- Draag altijd geschikte gehoorbescherming bij gereedschap dat een geluidsniveau van meer dan 85 dB produceert

Bescherm uw luchtwegen

- Bij werk waarbij stof vrijkomt, moet altijd een geschikt gezicht- of stofmasker worden gedragen. Wees voorzichtig dat u anderen om u heen niet blootstelt aan stof

Bescherm uw handen

- Houd uw handen uit de buurt van zaagbladen, snijschijven en boor bits. Bij het werken met kleine werkstukken maakt u gebruik van een duwstok

Denk aan anderen om u heen

- Het is de verantwoordelijkheid van de gebruiker om ervoor te zorgen dat andere mensen in de nabijheid van het werkgebied niet worden blootgesteld aan gevaarlijk geluid en stof. Zorg ervoor dat alle personen die het nodig hebben voorzien worden van geschikte persoonlijke beschermingsmiddelen

Verborgen voorwerpen

- Inspecteer het werkstuk en verwijder alle spijkers en andere voorwerpen
- Zaag geen werkstukken met vastzittende voorwerpen, tenzij de machine en het zaagblad hiertoe in staat zijn
- Let op voor verborgen voorwerpen. Muren verbergen mogelijk bedradingen en pijpleidingen, openpanelen verbergen mogelijk brandstofleidingen en gras verbergt mogelijk stenen en glas. Controleer het werkstuk grondig voordat u gaat zagen

Wees voorzichtig met rondvliegend afval

- In sommige gevallen wordt het afval met grote snelheid door het gereedschap opgeworpen. Zorg ervoor dat er geen andere personen in de werkgeving zijn. Als het nodig is om andere personen dichtbij te hebben, draagt de gebruiker er de verantwoordelijkheid voor dat ze zijn uitgerust met de juiste persoonlijke beschermingsmiddelen.

Het monteren van zaagbladen

- Zorg ervoor dat de zaagbladen goed zijn aangebracht en vastgezet voordat het gereedschap wordt gebruikt. Stel vast dat steeksleutels en andere stelmiddelen vóór gebruik zijn verwijderd.
- Gebruik uitsluitend zaagbladen die zijn aanbevolen voor uw machine.
- Probeer zaaggereedschap niet te wijzigen
- Zorg ervoor dat de bladen scherp zijn, in goede staat verkeren en juist gemonteerd zijn
- Bladen die niet te slijpen zijn, waaronder hardmetalen bladen, dienen niet scherp geslepen worden wanneer bot
- Bij het slijpen van bladen die scherp geslepen mogen worden, volgt u de instructies van de bladfabrikant op. Deze bladen zijn mogelijk een bepaald aantal keer te slijpen
- Geslepen balden dienen nauwkeuriger geïnspecteerd te worden voordat de machine gebruikt wordt. Vervang de bladen wanneer u vermoedt dat deze niet geschikt zijn voor gebruik
- Vervang bladen wanneer deze tijdens gebruik in contact komen met een verborgen, ongeschikt voorwerp

Richting van aanvoer

- Voer het werkstuk uitsluitend aan in het zaagblad of het gereedschap tegen de richting van de beweging van het zaagblad of het gereedschap in.

Wees voorzichtig met hitte

- Denk er aan dat het zaaggereedschap en de werkstukken tijdens het werk heel kunnen worden. Probeer niet om iets aan te passen voordat het gereedschap helemaal is afgekoeld.

Beheers afval

- Voorkom een ophoping van zaagsel en spanen. Zaagsel veroorzaakt brandgevaar, en sommige soorten metaalspanen zijn explosief.
- Wees vooral voorzichtig met machines die worden gebruikt voor het zagen van hout en metaal. Vonken bij het zagen van metaal veroorzaken vaak brand in stof en zaagsel.
- Gebruik waar mogelijk een stofafvoersysteem om voor een veiligere werkomgeving te zorgen.

Onderdelenlijst

1. Hulphandvat
2. As-vergrendelknop
3. Rotatierichting indicator
4. Hoek vergrendelhendel
5. Voorpaneel midden indicator
6. Geleider lamel randindicator (L)
7. Geleider blad midden indicator
8. Geleider lamel randindicator (R)
9. Antislip doppen
10. Diepte indicator
11. Zaagstop
12. Voet
13. Dieptestop
14. Dieptestop vergrendelmoer
15. Stoppoort
16. Motorventilatiegaten
17. Aan/uit trekker schakelaar
18. Hoofdhandvat
19. Voorpaneel
20. Handvat schroeven (x 4)
21. Blad toegangsknop
22. Hulphandvat bout (x 2)
23. Klikstop (0°, 45° en 90°)
24. Hoekschaal
25. Hoekindicator
26. Midden bladindicator
27. Geleider hoogteschaal
28. Blad gleuf
29. Geleider vergrendelknop
30. Geleider
31. Voet deksel
32. Zaagblad
33. Blad draaflens
34. Blad tandpunt
35. Richting indicator

Accessoires (niet afgebeeld): pinsleutel, stofzak, zeskanlsleutel en opbergkoffer

Gebruiksdoel

Draagbare, hand-bedienbare lamellenfrees met een klein zaagblad voor het zagen van hout in hout, voor het creëren van houtverbindingen met het gebruik van verschillende maten lamellen

Het uitpakken van uw gereedschap

- Pak uw toestel / gereedschap uit. Inspecteer het en zorg dat u met alle kenmerken en functies vertrouwd raakt
- Controleer of alle onderdelen aanwezig zijn en in goede staat verkeren. Als er onderdelen ontbreken of beschadigd zijn, zorg dan dat deze vervangen worden voor u dit toestel / gereedschap gebruikt

Voor gebruik

WAARSCHUWING: Ontkoppel de machine van de stroombron voordat u accessoires wisselt of enige aanpassingen maakt

WAARSCHUWING: Controleer voor het eerste gebruik of het zaagblad juist gemonteerd is

Hulphandvat

- Het hulphandvat (1) dient met behulp van de inbegrepen handvat bouten (22) en sluitringen gemonteerd te worden
- De hulphandgreep is gemonteerd in een vaste positie, met uitsteeksel die in elke kant van het gereedschap passen. Een hoekinstelling van de handgreep is dus niet mogelijk.

Stofontginning

- Een werkplaats stof ontginningssysteem of stofzuiger dient op de stoppoort (15) van de machine aangesloten te worden
- Wanneer geen van beide verkrijgbaar is maakt u gebruik van de inbegrepen stofzak

Let op: De stofzak dient tijdens gebruik regelmatig geleegd te worden. Leeg de stofzak voordat deze halfvol is voor een optimale functionaliteit

Het verstellen van de zaagdiepte

De machine is voorzien van een zaagstop (11) met 6 diepteopstellingen (0, 10, 20, S, D en Max), voor het gebruik van verschillende lamellen. Zie onderstaande tabel

Het is aanbevolen de machine te kalibreren met een lamel die voornamelijk gebruikt gaat worden. De meest gebruikte lamelmaat is nr. 10

1. Selecteer positie 10 door de zaagstop (11) te draaien tot de 10 door de diepte indicator (10) aangeduid wordt
2. Duw het hulphandvat (1) naar voren tot de dieptestop (13) de zaagstop raakt (afbeelding B) en meet de lengte van het zaagblad deel wat voorbij de bladgleuf (28) uitsteekt. Draai het zaagblad (32) zodat de tandpunt (34) in het midden, en zo het verst van het voorpaneel af ligt voordat u de afstand meet
3. De waarde dient 10 mm te zijn voor nr. 10, als aangegeven in onderstaande tabel. Wanneer de meting verschilt, draait u de dieptestop stelmoer (14) los en verstelt u de dieptestop, voor het verkrijgen een waarde van 10 mm
4. Draai de stelmoer vast

WAARSCHUWING: Wanneer de zaagdiepte niet juist gesteld is, raakt het werkstuk mogelijk beschadigd

Let op: De andere diepteopstellingen van de zaagstop zijn nu juist gesteld

Let op: Maak een oefensnede in een stuk afvalmateriaal om de instellingen te controleren

Lamellentabel

Positie markering	Lamel	Breedte	Lengte	Dikte	Zaagdiepte
0	#0	15-16 mm	44-47 mm	4 mm	8 mm
10	#10	19 mm	53-54 mm	4 mm	10 mm
20	#20	25 mm	56-60	4 mm	12,5 mm
S	#20	25 mm	56-60 mm	4 mm	13 mm
D	S6	30 mm	85 mm	4 mm	14,7-15 mm
MAX	N.v.t.	Maximale zaagstop diepte als vermeld (18 mm)			
Niet compatibel	#H9	12 mm	38 mm	3 mm	6-7 mm
Niet compatibel	Triton 7 (BJA050/BJA056)				

- Gebruik maten enkel als richtlijn

Het verstellen van de zaagdiepte

Let op: De groef voor de lamel dient in het midden van het werkstuk te vallen, zodat de zaaghoogte op de halve materiaal dikte gesteld dient te worden

- De zaaghoogte met de bevestigde geleider (30) kan vermeld worden tussen 0 – 40 mm
1. Verlos de geleider vergrendelknop (29)
 2. Plaats de geleider op de gewenste hoogte met gebruik van de geleider hoogteschaal (27)
 3. Draai de geleider vergrendelknop vast om de geleider op de gewenste hoogte te vergrendelen

Het stellen van de geleider hoek

De geleider (30) heeft een 90° hoekverstelling mogelijkheid met klikstop voor het snel en gemakkelijk stellen op 0°, 45° en 90°, voor het maken van gehoekte sneden

Voor het stellen van de hoek:

1. Verlos de hoek vergrendelhendel (4) door deze van het voorpaneel (19) af te trekken
2. Plaats het voorpaneel in de gewenste hoek met behulp van de hoekschaal (24) en hoekindicator (25)
3. Vergrendel de hendel zodat het voorpaneel in de gewenste hoek vergrendeld is

Let op: Controleer voor gebruik of de geleider goed vast zit. Wanneer de geleider los zit beweegt deze mogelijk tijdens het zagen, wat het werkstuk kan beschadigen

Let op: Gebruik de hoekschaal enkel als richtlijn. Gebruik bijkomende hulpmiddelen voor het meten van de geleider hoek

Gebruik

BELANGRIJK: Het is aanbevolen de machine met beide handen te hanteren. Houdt het hoofdhandvat (18) met de ene hand vast, met een vinger comfortabel op de trekker schakelaar (17), en het hulphandvat (1) met de andere hand

BELANGRIJK: controleer voor elk gebruik of de beschermkap juist functioneert

Het in- en uitschakelen van de machine

- Om de machine in te schakelen knijpt u de aan-/uitschakelaar (17) in
- Laat de schakelaar los om de machine uit te schakelen

Opmerkingen:

- Zorg ervoor dat de machine juist opgezet is, zie: 'Voor gebruik', en markeer de zaagsnede met een potlood op het werkstuk (Fig. II)

- De machine is voorzien van verschillende indicators die helpen bij de positionering tegen het werkstuk. De voorpaneel midden indicator (5) en geleider blad midden indicator (7) duiden op het midden van het blad. Twee geleider lamel randindicators (6 en 8) geven de rand van grotere lamellen weer, verder terug op de geleider. Een midden bladindicator (26) op de zijkant van de voet geeft de blad hoogste positie weer voor standaard 4 mm dikke bladen
 - Het is belangrijk het werkstuk nauwkeurig te markeren. Het is mogelijk gemakkelijk de 2 delen in exact de juiste positie samen te brengen, de markeringen met potlood aan te brengen en de gleuven te zagen. Stel losjes samen met de eerste lamel bevestigd voordat u verder markeert, wanneer opvolgende lamellen vereist zijn. De ideale positie voor de eerste zaaggleuf is in het midden van het hout
 - Er is ruimte voor speling bij het verbinden van hout met lamellen, waar de gleuven wanneer nodig vergroot kunnen worden. Het is echter aanbevolen nauwkeurig te werk te gaan en frequent te meten
 - Lamellen kunnen op verschillende manieren geplaatst worden (Fig. I). De gleuf dient, afhankelijk van de verbinding, breder gezaagd te worden (Fig. II)
 - Het werkstuk dient op de werkbank vastgeklemd te worden (Het gebruik van een antislip mat is tevens mogelijk)
1. Selecteer de juiste lamellenmaat op de zaagstop (11)
 2. Houdt de staart van de machine met de ene hand vast en rust een vinger op de trekker schakelaar (17)
 3. Lijn de machine nauwkeurig met de gemarkeerde boortlijn uit en positioneer de machine klaar voor de snede
 4. Plaats de machine tegen het werkstuk, zodat het voorpaneel (19) en de onderkant van de geleider (30) volledig in contact staan met het werkstuk
 5. Druk met de vingers van uw andere hand op de voorkant van de geleider om de machine in positie te houden en controleer of het voorpaneel en de onderkant van de geleider vrij is van spletten

Let op: Het is mogelijk vereist druk op de geleider (30) uit te oefenen (Afb. H) in plaats van het hulphandvat (1) vast te houden

Let op: Bij het gebruik van een antislip mat is het uitoefenen van druk een aan te raden, zodat het werkstuk tijdens het boren niet beweegt. Doe dit alleen wanneer de machine comfortabel met één hand aan de behuizing vastgehouden kan worden. Ideaal gezien wordt het werkstuk op de werkbank vast geklemd zodat u beide handen vrij hebt voor het hanteren van de machine

1. Knijp de trekker schakelaar (17) in en laat het blad volledig op snelheid komen en duw de behuizing van de machine voorwaarts zodat het zaagblad (32) het werkstuk ingaat (Afb.)
2. Duw de behuizing van de machine zo ver mogelijk naar voren tot de zaagstop (11) en dieptestop (13) ingrijpen en de juiste diepte verkregen wordt

NL

- Houdt de motor draaiende en laat de behuizing terug naar de beginpositie schuiven waardoor het zaagblad het werkstuk uitkomt. Houdt de machine hierbij stevig vast
- Wanneer het zaagblad volledig uit het werkstuk gekomen is, laat u de trekker schakelaar los

Let op: Door de veer zal de machine automatisch terug bewegen naar de ruststand en de boren uit het werkstuk trekken. De gebruiker hoort deze beweging onder controle te houden door de machine in exact dezelfde positie te houden als bij het zagen van de gleuf

- Wanneer het zaagblad vrij is en volledig tot stilstand gekomen is, haalt u de machine van het werkstuk

Let op: Het is aan te raden met de machine op afvalmateriaal te oefenen om volledig vertrouwd te raken met de gebruikwijze

Let op: Verbind de twee werkstukken droog en controleer de uitlijning. Wanneer de uitlijning juist is neemt u de werkstukken van elkaar. Voeg lijm toe voordat u de werkstukken permanent verbindt

Positionering

- Om de bijbehorende gleuf in het verbindingsstuk te zagen, hoort de machine loodrecht tegen het verbindingsoppervlak gehouden te worden (Afb. D, E en F)
- Het is aanbevolen naar beneden te zagen waar het gewicht van de machine met de zaagrichting mee werkt. Het naar boven zagen kost meer kracht, waar het gewicht van de machine tegenwerkt
- Wanneer te ver van de rand gezaagd moet worden, verwijderd u de geleider (30) door de vergrendelknop (29) los te draaien en de geleider van de machine te nemen. De machine kan nu verticaal op een oppervlak rusten en vrij over oppervlakken geïmagineerd worden – zelfs op grote werkstukken (Afb. A). Zorg ervoor dat de machine stevig geïmagineerd is voordat u met het zagen begint. Geklemd hout op het werkstukoppervlak kan gebruikt worden als geleider zodat beweging van de machine op beide assen voorkomt wordt
- Voor sommige andere sneden voorkomt de geleider de snede en dient deze verwijderd te worden (Afb. G)

Andere verbindingen

Let op: De veelzijdigheid van de machine gaat verder dan beschreven in deze handleiding. De handleiding dient als introductie voor haar eigenschappen en gebruik

Accessoires

- Verschillende accessoires en verbruiksmiddelen zijn verkrijgbaar bij uw Triton handelaar. Reserve onderdelen zijn verkrijgbaar op toolsparsonline.com

Onderhoud

WAARSCHUWING: De machine hoort te allen tijde uitgeschakeld te zijn voordat u enige aanpassingen maakt en/of onderhoud uitvoert

- Controleer het stroom snoer voor elk gebruik op slijtage en beschadiging. Reparaties dienen bij een geautoriseerd service center uitgevoerd te worden. Dit geldt tevens voor gebruikte verlengsnoeren

Algemene inspectie

- Controleer de bouten en moeren regelmatig waar deze door de vibratie tijdens het gebruik van de machine kunnen losraken

Smeren

- Smeer alle bewegende onderdelen regelmatig met een geschikt smeermiddel

Het vervangen van het zaagblad

WAARSCHUWING: Bij het hanteren van zaagbladen is het dragen van beschermende handschoenen aanbevolen

BELANGRIJK: Bevestig geen beschadigd, vervormd of versleten zaagblad

BELANGRIJK: De maximale snelheid van het zaagblad dient minimaal gelijk te zijn aan de onbelaste snelheid van de machine

- Plaats de machine op de rug met de onderzijde van de voet (12) omhoog wijzend
 - Draai de blad toegangsknop (21) los tot de voet deksel (31) verlost kan worden. Zorg ervoor dat de geleider (30) van de voet af gesteld is
 - Druk de as-vergrendelknop (2) in en verwijder de blad draadflens (33) met de inbegrepen pinsleutel
 - Verwijder het zaagblad (32)
 - Draai de bout met behulp van de inbegrepen zeskantsleutel van de zaagblad flens
 - Plaats een nieuw zaagblad, van hetzelfde type met identieke afmetingen (zie specificaties)
- WAARSCHUWING:** Let op de rotatie-richting van het zaagblad, aangegeven door de rotatie-richting indicators (3 en 35)
- Plaats de bladflens terug, druk de as-vergrendelknop in en draai de bladflens met de pinsleutel vast
 - Laat de as-vergrendelknop los, sluit de deksel en draai de toegangsknop vast

Schoonmaak

WAARSCHUWING: Bij het schoonmaken van de eenheid is het dragen van de juiste beschermende uitrusting, waaronder een veiligheidsbril en handschoenen, aanbevolen

- Houd uw machine te allen tijde schoon. Vuil en stof doen de interne onderdelen sneller slijten, wat de levensduur van de machine aanzienlijk vermindert
- Maak de behuizing van de machine met een zachte borstel of droge doek schoon
- Maak de plastic onderdelen niet met bijtende middelen schoon. Maak gebruik van een licht schoonmaakmiddel en een vochtige doek
- De machine mag niet in contact komen met water
- Zorg ervoor dat de machine volledig droog is voordat u deze gebruikt
- Gebruik wanneer mogelijk zuivere, droge perslucht om door de luchtgaten te blazen

Koolstofborstels

- Na verloop van tijd zullen de koolborstels in de motor verslijten.
- Bij overmatige slijtage van de borstels verliest de motor mogelijk vermogen, start het niet meer, en/ of produceert het overmatig vonken.

Voor het vervangen van de borstels:

- Verwijder de handvatschroeven (20) die de handvat (18) behuizing vergrendelen
 - Verwijder de twee behuizingzijden voorzichtig. Voorkom snoer/kabel beschadiging
 - Druk de inkeping aan de voorzijde, aangeduid door de lage pijl, met een schroevendraaier in (Afb. I)
 - Druk de andere zijde van de koolstofborstelbasis, aangeduid door de hoge pijl, in en verwijder de borstel uit de behuizing
 - Vervang beide borstels (Afb. J) en zorg ervoor dat de uitsteekels aan de binnenkant van het gereedschap correct aansluiten op de nieuwe koolborstels (Afb. K).
 - Plaats de behuizing terug op de machine en draai de handvatschroeven weer vast
- Als alternatief laat u de borstels bij een erkend servicecenter vervangen

Verwijdering

Bij de verwijdering van elektrische machines neemt u de nationale voorschriften in acht.

- Elektrische en elektronische apparaten en accu's mogen niet met uw huishoudelijk afval worden weggegooid
- Neem contact op met uw gemeente voor informatie betreffende de verwijdering van elektrisch gereedschap

Garantie

Om uw garantie te registreren, gaat u naar onze website op www.tritontools.com* en voert u uw gegevens in.

Aankoopgegevens

Datum van aankoop: ___/___/___

Model: TBJ001

Bewaar uw aankoopbon als aankoopbewijs rt pr

Triton Precision Power Tools garandeert de koper van dit product dat indien een onderdeel defect is vanwege fouten in materiaal of uitvoering binnen 3 jaar na de datum van de oorspronkelijke aankoop, Triton het defecte onderdeel gratis repareert of, naar eigen inzicht, vervangt.

Deze garantie heeft geen betrekking op commercieel gebruik en strekt zich niet uit tot normale slijtage of schade ten gevolge van een ongeluk, verkeerd gebruik of misbruik.

* Registreer online binnen 30 dagen.

Algemene voorwaarden van toepassing.

NL

Traduction des instructions originales

Introduction

Nous vous remercions d'avoir choisi cet équipement Triton. Ce manuel contient les informations nécessaires au fonctionnement efficace et sûr de ce produit. Veuillez lire attentivement ce manuel pour vous assurer de tirer pleinement avantage des caractéristiques uniques de votre nouvel équipement, même si vous avez l'habitude de produits similaires. Assurez-vous que tous les utilisateurs l'aient lu et bien compris avant toute utilisation.

Description des symboles

La plaque signalétique figurant sur votre outil peut présenter des symboles. Ces symboles constituent des informations importantes relatives au produit ou des instructions concernant son utilisation.



Port de protection auditive
Port de lunettes de sécurité
Port du masque respiratoire
Port du casque



Port de gants



Lire le manuel d'instructions



Attention : lames ou dents coupantes !



NE PAS utiliser sous la pluie ou dans un environnement humide !



Débranchez toujours l'appareil avant d'effectuer un réglage, changer d'accessoire, de le nettoyer, de l'entretenir, ou lorsqu'il n'est plus utilisé.



Extraction de la poussière requise ou recommandée



DATTENTION : les pièces mobiles peuvent engendrer des écrasements et des coupures.



Attention !



Double isolation pour une protection supplémentaire



Protection de l'environnement
Les produits électriques usagés ne doivent pas être jetés avec les ordures ménagères. Veuillez les recycler dans les centres prévus à cet effet. Pour de plus amples informations, veuillez contacter votre municipalité ou point de vente.



Conforme à la réglementation et aux normes européennes de sécurité pertinentes

Légende

V	Volts
~, CA	Courant alternatif
A, mA	Ampère, milliampère
n0	Vitesse à vide
n	Vitesse nominale
°	Degrés
Ø	Diamètre

Hz	Hertz
==, DC	Courant continu
W, kW	Watt, kilowatt
/min or min⁻¹	Operations par minute
dB(A)	Puissance acoustique en décibel (A pondéré)
m/s²	Mètres par seconde au carré (magnitude des vibrations)

Caractéristiques techniques

Numéro de produit :	TBJ001
Tension :	230 V~ 50 Hz
Puissance d'entrée :	760 W
Vitesse à vide :	11 600 tr/min
Réglage guide d'angle :	0 - 90°
Profondeur max.de coupe :	18 mm
Diamètre de la lame :	Ø 100 mm
Dimensions de la lame :	Ø100 x Ø22 x 3,92 x 6T
Alésage :	Ø 22 mm
Réglage de la hauteur :	0 - 40 mm
Indice de protection :	IP20
Classe de protection :	
Longueur du câble d'alimentation	3 m
Dimensions :	460 x 145 x 138 mm
Poids :	2,65 kg
Du fait de l'évolution constante de nos produits, les caractéristiques des produits Triton peuvent changer sans notification préalable.	
Informations sur le niveau d'intensité sonore et vibratoire	
Pression acoustique L_{PA} :	92 dB (A)
Puissance acoustique L_{WA} :	103 dB (A)
Incertitude K :	3 dB
Vibration pondérée :	3,27 m/s ²
Incertitude :	1,5 m/s ²
Le niveau d'intensité sonore pour l'utilisateur peut dépasser 85 dB (A), et des mesures de protection sonore sont peut-être nécessaires.	

ATTENTION : Portez toujours des protections sonores lorsque le niveau d'intensité est supérieur à 85 dB(A) et limitez le temps d'exposition si nécessaire. Si l'intensité sonore devient inconfortable, même avec les protections, arrêtez immédiatement d'utiliser l'appareil, vérifiez que les protections sont bien en places et adaptés avec le niveau sonore produit par l'appareil.

ATTENTION : L'exposition de l'utilisateur aux vibrations peut engendrer une perte du toucher, des engourdissements, des picotements et ainsi réduire la capacité de préhension. De longues expositions peuvent également provoquer ces symptômes de façon chronique. Si nécessaire, limitez le temps d'exposition aux vibrations et portez des gants anti-vibrations. N'utilisez pas cet appareil lorsque la température de vos mains est en dessous des températures normales, car l'effet vibratoire en est accentué. Référez-vous au cas de figures de caractéristiques relatives aux vibrations pour calculer le temps et fréquence d'utilisation de l'appareil.

Les niveaux sonores et vibratoires des caractéristiques techniques sont déterminés en fonction de la norme EN60745 ou autres normes internationales. Ces données correspondent à un usage normal de l'appareil, et ce dans des conditions de travail normales. Un appareil mal entretenu, mal assemblé ou mal utilisé peut augmenter les niveaux sonores et vibratoires. Pour plus d'informations sur la directive des émissions sonores et vibratoires, visitez le site <http://osha.europa.eu/fr>.

Consignes générales de sécurité

ATTENTION : Veuillez lire l'intégralité des consignes de sécurité et des instructions. Le non-respect de ces consignes et instructions peut entraîner un risque de choc électrique, d'incendie et/ou se traduire par des blessures graves.

ATTENTION : Cet appareil n'est pas conçu pour être utilisé par des personnes (enfants compris) ayant des capacités physiques ou mentales réduites, ou n'ayant pas la connaissance ou l'expérience requise, à moins d'être sous la supervision d'une personne responsable de leur sécurité ou d'avoir reçu les instructions nécessaires. Les enfants ne doivent pas s'approcher et jouer avec cet appareil.

Veuillez conserver ces instructions et consignes de sécurité pour référence ultérieure.

L'expression « appareil électrique » employée dans les présentes consignes recouvre aussi bien les appareils filaires à brancher sur le secteur que les appareils sans fils fonctionnant sous batterie.

1) Sécurité sur la zone de travail

- a) Maintenir une zone de travail propre et bien éclairée. Des zones encombrées et mal éclairées sont sources d'accidents.
- b) Ne pas utiliser d'outils électriques dans des environnements explosifs, tels qu'à proximité de liquides, de gaz ou de poussières inflammables. Les appareils électriques produisent des étincelles susceptibles d'enflammer la poussière ou les vapeurs présentes.
- c) Eloigner les enfants et les passants pendant l'utilisation d'un appareil électrique. Ceux-ci peuvent provoquer une perte d'attention et faire perdre la maîtrise de l'appareil.

2) Sécurité électrique

- a) La prise d'un appareil électrique doit être adaptée à la prise du secteur. Ne jamais modifier la prise en aucune façon. Ne jamais utiliser d'adaptateur sur la prise électrique d'appareil mis à la terre. Des prises non modifiées, adaptées aux boîtiers de prise de courant, réduiront le risque de décharge électrique.
- b) Éviter le contact corporel avec les surfaces mises à la terre telles que tuyaux, radiateurs, cuisinières et réfrigérateurs. Le risque de décharge électrique est plus important si le corps est mis à la terre.
- c) Ne pas exposer l'appareil électrique à la pluie ou à l'humidité. L'infiltration d'eau dans un appareil électrique accroît le risque de décharge électrique.
- d) Ne pas maltraiter le cordon électrique. Ne jamais utiliser le cordon électrique pour porter, tirer ou débrancher l'appareil. Protéger le cordon électrique de la chaleur, du contact avec l'essence, des bords tranchants et pièces rotatives. Un cordon électrique endommagé ou entortillé accroît le risque de décharge électrique.
- e) Lors d'une utilisation de l'appareil électrique en extérieur, se servir d'une rallonge appropriée à une utilisation en extérieur. Cela réduit le risque de décharge électrique.
- f) Si une utilisation de l'appareil électrique dans un environnement humide ne peut être évitée, utiliser une alimentation protégée par un disjoncteur différentiel. L'utilisation d'un disjoncteur différentiel réduit le risque de décharge électrique.
- g) Lorsque utilisé en Australie ou en Nouvelle Zélande, il est recommandé que cet appareil soit toujours alimenté via un disjoncteur différentiel ayant un courant résiduel de 30 mA ou moins.

3) Sécurité des personnes

- a) Rester vigilant et faire preuve de bon sens lors de la manipulation de l'appareil. Ne pas utiliser un appareil électrique lorsque l'on se trouve dans un état de fatigue, ou sous l'influence de drogues, d'alcool ou de médicaments. Un moment d'inattention pendant l'utilisation d'un outil électrique peut se traduire par des blessures graves.
- b) Porter un équipement de protection approprié. Toujours porter une protection oculaire. Le port de masque à poussières, chaussures de sécurité antidérapantes, casque de sécurité et protections antibruit adaptés aux différentes conditions de travail réduit le risque de blessures corporelles.
- c) Éviter tout démarrage accidentel ou intempestif. S'assurer que l'interrupteur marche-arrêt soit en position d'arrêt avant de brancher l'appareil sur l'alimentation secteur ou d'installer la batterie, de prendre l'appareil ou de le transporter. Porter un appareil électrique tout en maintenant le doigt posé sur l'interrupteur ou brancher un appareil électrique dont l'interrupteur est sur la position de marche est source d'accidents.
- d) Enlever toute clé et tout instrument de réglage avant de mettre l'appareil électrique en marche. Une clé ou un instrument de réglage laissé fixé à un élément en rotation de l'appareil électrique peut entraîner des blessures physiques.
- e) Ne pas essayer d'atteindre une zone hors de portée. Se tenir toujours en position

stable permettant de conserver l'équilibre. Cela permet de mieux contrôler l'appareil électrique dans des situations inattendues.

- f) Porter des vêtements appropriés. Ne pas porter de vêtements amples ou des bijoux pendants. Eloigner cheveux, vêtements et gants des pièces en mouvement. Les vêtements amples, les bijoux pendants et cheveux longs peuvent être happés par les pièces en rotation.
- g) Si l'appareil est pourvu de dispositifs destinés au raccord d'équipements d'extraction et de récupération de la poussière/sciure, s'assurer qu'ils soient bien fixés et utilisés correctement. L'utilisation de ces dispositifs peut réduire les risques dus à la poussière.
- 4) Utilisation et entretien des appareils électriques
 - a) Ne pas forcer sur l'appareil électrique. Utiliser l'appareil électrique approprié au travail à effectuer. Un appareil électrique adapté et employé au rythme pour lequel il a été conçu permettra de réaliser un travail de meilleure qualité et dans de meilleures conditions de sécurité.
 - b) Ne pas utiliser un appareil électrique dont l'interrupteur marche-arrêt est hors service. Tout appareil électrique dont la commande ne s'effectue plus par l'interrupteur marche-arrêt est dangereux et doit être réparé.
 - c) Débrancher l'appareil électrique ou démonter sa batterie avant d'effectuer tout réglage ou changement d'accessoire et avant de le ranger. De telles mesures préventives réduiront les risques de démarrage accidentel.
 - d) Ranger les appareils électriques inutilisés hors de portée des enfants et ne pas permettre l'utilisation de cet appareil aux personnes non habituées à son maniement ou n'ayant pas lu les présentes instructions. Les appareils électriques sont dangereux dans les mains d'utilisateurs inexpérimentés.
 - e) Veiller à l'entretien des appareils électriques. Vérifier que les éléments rotatifs soient bien alignés et non grippés. S'assurer de l'absence de pièces cassées ou endommagées susceptibles de nuire au bon fonctionnement de l'appareil. Si l'appareil électrique est endommagé, le faire réparer avant toute utilisation. De nombreux accidents sont dus à l'utilisation d'appareils électriques mal entretenus.
 - f) Veiller à ce que les outils de coupe soient tenus affûtés et propres. Des outils de coupe bien entretenus, aux tranchants bien affûtés, sont moins susceptibles de se gripper et sont plus faciles à contrôler.
 - g) Utiliser l'appareil électrique, les accessoires et outils à monter conformément à ces instructions, en tenant compte des conditions de travail et de la tâche à réaliser. Toute utilisation d'un appareil électrique autre que celle pour laquelle il a été conçu peut entraîner des situations à risque.
- 5) Révision
 - a) Ne faire réparer votre appareil électrique que par un réparateur qualifié utilisant uniquement des pièces de rechange identiques. Cela permet de maintenir la sécurité d'utilisation de l'appareil électrique.

Consignes de sécurité relatives aux fraiseuses à lamelles



- Les fraiseuses à lamelles doivent avoir une vitesse nominale correspondant à celle recommandée dans les caractéristiques de cet outil. Des fraiseuses utilisées au-delà de leur vitesse nominale peuvent s'envoler et causer des blessures.
- Utilisez toujours les gardes et dispositifs de sécurité de l'outil. Ils protègent l'utilisateur des fragments et de contacts accidentels avec la lame.
- Tenez l'outil par ses surfaces de préhension isolantes lorsqu'il y a un risque de mises en contact entre l'outil de coupe et son cordon d'alimentation. Un contact entre un fil sous tension et les parties métalliques de l'outil entraînera une mise sous tension des parties métalliques de l'outil et peut entraîner un risque de choc électrique pour l'utilisateur.
- Ne laissez pas les personnes de moins de 18 ans utiliser cet outil. Assurez-vous que l'utilisateur est familier avec ces instructions de sécurité et d'utilisation.
- S'il est nécessaire de remplacer le cordon d'alimentation, cela doit être fait par le fabricant ou un de ses agents agréés pour éviter tout danger.
- Il est fortement recommandé d'alimenter l'outil à travers un disjoncteur différentiel (RCD) dont le courant résiduel nominale est de 30 mA ou moins.

ATTENTION : N'utilisez jamais de lames émoussées ou endommagées.

ATTENTION : Vérifiez que le système de carter de protection rétractable fonctionne correctement.



Utilisez une protection respiratoire appropriée. L'utilisation de cet outil peut générer de la poussière contenant des produits chimiques pouvant causer des cancers, malformations congénitales ou d'autres anomalies de la reproduction. Certains bois contiennent des agents de conservation tels que l'arséniate de cuivre et de chrome (CCA) pouvant être toxiques. Lors du ponçage, du perçage et des coupes de ces matériaux des précautions supplémentaires doivent être prises pour éviter l'inhalation et minimiser le contact avec la peau.

- a) Toute rallonge électrique sur dévidoir éventuellement utilisée avec cet appareil doit être totalement dévidée. La rallonge doit présenter un câble de section transversale d'au moins 1 mm².
- b) Lors de l'utilisation de cet outil en extérieur, utilisez un disjoncteur différentiel (RCD) et une rallonge de section transversale d'au moins 1,5 mm² ainsi que des prises électriques d'extérieur en bon état.
- c) Assurez-vous que la lame est bien fixée avant utilisation. Des lames mal insérées peuvent représenter un danger.

FR

- d) Attendez toujours que la machine soit parvenue à un arrêt complet avant de la déposer.
- e) Lors de l'utilisation de cet outil, utilisez un équipement de sécurité comprenant des protections oculaires ou un masque, des protections auditives et des vêtements de sécurité ainsi que des gants. Portez une protection respiratoire lorsque le travail produit de la poussière.
- f) Assurez-vous que l'éclairage est adapté.
- g) Assurez-vous que l'outil de coupe n'est pas en contact avec la pièce avant le démarrage de l'outil.
- h) Tenez l'outil à deux mains.
- i) Installez toujours la poignée auxiliaire fournie avec l'outil à moins que les instructions indiquent des exceptions pour certaines tâches.
- j) N'appliquez pas de pression sur l'outil, cela diminuera sa durée de vie.
- k) Les lames deviennent chaudes lors de leur utilisation, laissez-les refroidir avant de les manipuler.
- l) N'enlevez jamais la sciure ou les copeaux situés près de la lame à la main.
- m) Si vous êtes interrompu lorsque vous utilisez l'outil, terminez ce que vous êtes en train de faire avant de détourner votre attention.
- n) Lorsque cela est possible, utilisez des serre-joints ou un étai pour maintenir votre ouvrage.
- o) Débranchez toujours l'outil avant de changer l'accessoire de coupe.
- p) Examinez l'état du support de la lame régulièrement. Les pièces endommagées doivent être réparées dans un centre technique agréé.
- q) Lorsque vous avez terminé, débranchez l'outil de sa source d'alimentation.
- r) Vérifiez régulièrement les vis et écrous ou autre, resserrez si nécessaire.

- Assurez-vous que les lames sont tranchantes, en bon état et correctement installées.
- N'essayez pas d'affûter les lames qui ne sont compatibles avec l'affûtage. Cela peut comprendre les lames en acier trempé ou les lames en alliage trempé qui contiennent généralement du tungstène.
- Les lames affûtées peuvent seulement être affûtées conformément aux instructions du fabricant. Le nombre d'affûtage des lames peut donc être limité.
- Des lames affûtées doivent être plus minutieusement inspectées avant utilisation, et remplacées immédiatement en cas de moindre doute sur son état et son aptitude à l'utilisation.
- Pendant l'utilisation, dans le cas où les lames rencontrent un objet caché avec lequel les lames ne sont pas compatibles, elles doivent être remplacées immédiatement.

Sens de coupe

- Faites avancer la pièce de travail vers la lame ou la fraise, et ce à l'encontre du mouvement de la lame ou de la fraise.

Attention à la chaleur

- Sachez que les outils de coupe ainsi que les pièces de travail peuvent chauffer pendant l'utilisation de l'appareil. Ne tentez pas de changer d'accessoire tant que l'appareil n'a pas complètement refroidi.

Contrôle des débris

- Ne laissez pas la poussière ou des copeaux de métal s'accumuler. La sciure constitue un risque d'incendie et certains copeaux métalliques sont explosifs.
- Faites tout particulièrement attention lors de la coupe du bois ou du métal à l'aide de machines électriques. Les étincelles provoquées par la coupe du métal sont une cause courante d'incendie des poussières de bois.
- Lorsque cela est possible, utilisez un système d'extraction de la poussière pour assurer un environnement de travail plus sûr.

AVERTISSEMENT

Certaines poussières générées par le ponçage, sciage, le perçage et d'autres activités de constructions électriques contiennent des substances chimiques reconnues dans l'État de la Californie comme étant une cause de cancer, de malformations congénitales et d'autres problèmes reproductifs. Des exemples de ces substances chimiques sont :

- Le plomb, provenant des peintures à base de plomb.
- La silice cristalline, provenant des briques, du ciment et d'autre matériaux de construction.
- L'arsenic et le chrome, provenant des caoutchoucs traités chimiquement.

Les risques résultant de ces expositions varient en fonction de la fréquence à laquelle vous effectuez ce type de travaux. Pour réduire l'exposition à ces substances chimiques, travaillez dans une zone ventilée et portez un équipement adapté, comme un masque à poussière conçu spécialement pour filtrer les particules microscopiques.

Consignes de sécurité relatives aux outils de coupe

ATTENTION : avant de brancher l'outil sur l'alimentation secteur, vérifiez bien que la tension d'alimentation soit la même que celle indiquée sur la plaque signalétique de l'outil. Une alimentation électrique dont la tension est supérieure à celle indiquée sur l'outil risque d'entraîner des blessures chez l'utilisateur et des dommages sur l'outil. En cas de doute, ne branchez pas l'outil. L'utilisation d'une source de courant dont la tension est inférieure à celle indiquée sur l'outil peut endommager le moteur.

Utilisation du bon outil de coupe

- Assurez-vous que votre outil de coupe convient au travail entrepris. Référez-vous toujours à la notice d'informations, ne présumez pas qu'un outil est approprié à la tâche sans faire de vérification préalable.

Protection oculaire

- Portez toujours des protections oculaires appropriées lors de l'utilisation d'outils de coupe.
- Les lunettes ordinaires n'ont pas pour fonction de fournir une protection efficace à l'utilisation de ce produit. Des verres normaux ne résistent pas aux impacts et pourraient voler en éclats.

Protection auditive

- Portez toujours des protections auditives appropriées lorsque le niveau sonore dépasse 85 dB.

Protection respiratoire

- Assurez-vous de porter, ainsi que toute personne à proximité, un masque anti-poussière approprié.

Protection des mains

- Ne laissez pas vos mains s'approcher trop près de la lame. Utilisez un bâton poussoir adéquat pour les plus petites pièces de travail avec outils électroportatifs appropriés.

Tenez compte des personnes autour de vous

- Il relève de l'utilisateur de s'assurer que les personnes se trouvant à proximité de la zone de travail ne soient pas exposées à des niveaux sonores dangereux ou à des concentrations de poussières dangereuses et sont pourvues de dispositifs de protection appropriés.

Objets cachés

- Avant d'effectuer une coupe, vérifiez qu'il ne se trouve aucun corps étranger dans la pièce de travail.
- Ne coupez aucun matériau comportant des corps étrangers à moins d'être certain que l'accessoire installé sur votre appareil convient à ce travail.
- Des fils électriques et des tuyaux peuvent être dissimulés dans les murs, des durites de carburant peuvent être dissimulées dans les panneaux de carrosserie et l'herbe haute peut dissimuler des pierres et du verre. Vérifiez toujours minutieusement votre zone de travail avant de commencer la coupe.

Attention aux projections de débris

- Dans certains cas, des débris peuvent être projetés à grande vitesse de l'outil de coupe. Assurez-vous qu'il ne se trouve aucune autre personne à proximité de la zone de travail. Si la présence d'autres personnes à proximité de la zone de travail est nécessaire, l'utilisateur a la responsabilité de s'assurer qu'elles soient munies d'équipements de protection appropriés.

Installation d'accessoires de coupe

- Assurez-vous que les accessoires de coupe soient correctement et solidement installés avant utilisation et que toute clé ou tout outil de réglage ait été retiré.
- Utilisez uniquement des accessoires de coupe recommandés pour votre appareil.
- N'effectuez aucune modification sur l'accessoire.

Descriptif du produit

1. Poignée auxiliaire
2. Bouton de verrouillage de l'arbre
3. Indicateur de direction
4. Levier de verrouillage de l'angle
5. Indicateur du centre de la semelle
6. Indicateur du bord du guide de la lamelle (G)
7. Indicateur du centre du guide de la lamelle
8. Indicateur du bord du guide de la lamelle (D)
9. Protection antidérapante
10. Indicateur de la profondeur
11. Tourelle à butée
12. Base
13. Butée de profondeur
14. Ecrou bloquant de la butée de profondeur
15. Tubulure d'extraction de la poussière
16. Event du moteur
17. Gâchette marche/arrêt
18. Poignée principale
19. Semelle
20. Vis de la poignée (x4)
21. Molette d'accès à la lame
22. Boulon de la poignée auxiliaire (x2)
23. Clic d'arrêt (0°, 45° et 90°)
24. Echelle d'angle
25. Indicateur de l'angle
26. Indicateur du centre de la lame
27. Echelle de la hauteur du guide
28. Emplacement de la lame
29. Molette de verrouillage du guide
30. Guide
31. Base du couvercle

- 32. Lame
- 33. Brûle fileté de la lame
- 34. Pointe de dent de la lame
- 35. Indicateur de la direction

Accessoires (non illustrés) : Clé à ergots, sac à poussières, clé hexagonale et mallette

Usage conforme

Appareil électroportatif avec une petite lame circulaire qui permet de couper des fentes dans le bois afin de créer des joints pour l'insertion de lamelles de bois de différentes tailles.

Déballage

- Déballer le produit avec soin. Veillez à retirer tout le matériel d'emballage et familiarisez-vous avec toutes les caractéristiques du produit.
- Si des pièces sont endommagées ou manquantes, faites-les réparer ou remplacer avant d'utiliser l'appareil.

Avant utilisation

ATTENTION : Débranchez toujours l'appareil de sa source d'alimentation avant de mettre ou d'enlever un accessoire, ou d'effectuer un quelconque réglage.

IMPORTANT : Assurez-vous que la lame soit correctement installée avant la première utilisation. Voir « Changer la lame ».

Poignée auxiliaire

- Installez la poignée auxiliaire (1) à l'aide des boulons de la poignée auxiliaire (22) et des rondelles fournies.
- La poignée auxiliaire est installée en position fixe, avec un système de fixation permanent, et l'angle de celle-ci ne peut donc pas être ajusté.

Tableau-guide

Marque de position	Lamelles	Largeur	Longueur	Epaisseur	Profondeur de coupe
0	#0	15-16 mm (5/8")	44-47 mm (1-13/16")	4 mm (19/128")	8 mm (5/16")
10	#10	19 mm (13/16")	53-54 mm (2-1/16")	4 mm (19/128")	10 mm (3/8")
20	#20	25 mm (15/16")	56-60 mm (2-5/16")	4 mm (19/128")	12,5 mm (1/2")
S	#20	25 mm (15/16")	56-60 mm (2-5/16")	4 mm (19/128")	13 mm (1/2")
D	S6	30 mm (1-1/8")	85 mm (3-3/8")	4 mm (19/128")	14,7-15 mm (19/32")
MAX	N/A	Profondeur maximum de la tourelle à butée comme réglée (18mm maximum)			
NON COMPATIBLE	#H9	12 mm	38 mm	3 mm	6-7 mm (1/4")
NON COMPATIBLE	Triton 7 (BJA050/BJA056)				

• Les mesures sont approximatives

Réglage de la hauteur de coupe

Remarque : La rainure de la lamelle se trouve normalement au milieu du bord de la pièce de travail de sorte que la hauteur de coupe doit être réglée à la moitié de l'épaisseur du matériau.

- La hauteur de coupe avec le guide installé (30) peut être réglée de 0 à 40 mm
1. Relâchez la molette de verrouillage du guide (29).
 2. Positionnez le guide à la hauteur requise en utilisant l'échelle de hauteur du guide (27).
 3. Serrez la molette de verrouillage du guide pour bloquer à la hauteur requise.

Réglage de l'angle du guide

Le guide (30) peut se régler jusqu'à 90°, avec des clics-stop pour un réglage rapide et facile à 0°, 45° et 90° pour des coupes à angle (image C).

Pour régler à l'angle requis :

1. Desserrez le levier de verrouillage de l'angle (4) en l'éloignant de la semelle (19).
2. Réglez la semelle à l'angle requis en utilisant l'échelle d'angle (24) et l'indicateur d'angle (25).
3. Serrez le levier de verrouillage de l'angle pour que le guide soit correctement réglé à l'angle requis.

Remarque : Vérifiez que le guide soit correctement verrouillé avant de couper : ne pas respecter cette consigne peut endommager la pièce de travail ou l'appareil si le guide bouge pendant l'utilisation.

Remarque : L'échelle d'angle est seulement approximative : utilisez d'autres équipements de mesure si nécessaire.

Extraction des poussières

- Cet appareil devrait être connecté à un système d'extraction des poussières d'atelier ou à un aspirateur grâce à sa tubulure d'extraction des poussières (15).
- Si vous ne disposez pas de tels dispositifs, le sac à poussières fourni doit être posé, en le fixant au niveau de la tubulure d'extraction.

Remarque : Si vous utilisez le sac à poussières fourni, veillez à le retirer et à le nettoyer régulièrement. Idéalement videz le sac à poussières lorsqu'il n'est qu'à moitié plein.

Réglage de la profondeur de coupe

L'appareil dispose d'une tourelle à butée (11) avec 6 positions de profondeur (0, 10, 20, S, D et Max) et qui est compatible avec une grande variété de lamelles ou de plaques. Voir le guide des lamelles ci-dessous.

Il est recommandé d'étalonner l'appareil en utilisant la taille des lamelles que vous allez principalement utiliser. Une lamelle classique est généralement d'une taille 10.

1. Sélectionnez la position «10» en faisant tourner la tourelle à butée (11) jusqu'à ce que «10» soit indiqué par l'indicateur de la profondeur (10).
2. Poussez vers l'avant la poignée auxiliaire (1) jusqu'à ce que la butée de profondeur (13) vienne en contact avec la tourelle (image B) et mesurez la longueur de la lame exposée qui ressort de l'emplacement de la lame (28). Assurez-vous qu'une pointe de dent de la lame (34) soit à une distance maximum de l'emplacement en faisant tourner la lame de coupe (32) de sorte que la pointe de dent de la lame soit au milieu puis mesurez de la pointe de la dent à la surface de l'emplacement de la lame.
3. La mesure devrait être de 10, comme indiqué dans le tableau ci-dessous. Si elle est différente, desserrez l'écrou bloquant de la butée de profondeur (14) et réglez la butée de profondeur pour réduire ou augmenter sa longueur à la profondeur de la lame requise de 10 mm.
4. Une fois bien réglée, serrez l'écrou bloquant de la butée de profondeur.

ATTENTION : Ne pas régler correctement la profondeur de coupe peut endommager la pièce de travail.

Remarque : Les autres positions pour la profondeur sur la tourelle à butée seront maintenant correctement configurées avec celle plus précise, étant la position utilisée pour l'étalonnage.

Remarque : Effectuez toujours une coupe d'essai sur une chute de bois pour confirmer les réglages.

Utilisation

IMPORTANT : Il est recommandé si possible d'utiliser les deux mains lorsque vous utilisez cet outil. Tenez la poignée principale (18) de la fraiseuse à lamelles avec une main, avec un doigt confortablement positionné sur la gâchette marche/arrêt (17) et avec l'autre main sur la poignée auxiliaire (1) de sorte que l'appareil soit bien tenu.

IMPORTANT : Vérifiez que le mécanisme de protection fonctionne correctement et sans difficulté avant l'utilisation de l'appareil.

Mise en marche/arrêt

- Pour démarrer l'appareil, appuyez sur la gâchette marche/arrêt (17).
- Relâcher la gâchette pour l'arrêter.

Remarque :

- Afin de couper les fentes pour les lamelles dans la pièce de travail comme requis, réglez tout d'abord l'appareil en respectant les instructions « Avant utilisation », et préparez la pièce de travail en marquant aux crayons les points de coupe nécessaires à effectuer. (Fig II).
- Cet outil comporte plusieurs indicateurs afin d'aider au positionnement de l'appareil sur la pièce de travail. L'indicateur du centre de la semelle (5) et l'indicateur du centre du guide de la lame (7) indiquent le centre de la lame. Les deux indicateurs du bord du guide de la lamelle (6 et 8) indiquent le bord pour les lamelles plus grandes et non pas les bords extérieurs de la lame, ce qui est indiqué plus loin sur le guide. Un indicateur du centre de la lame (26) sur le côté de la base indique la position de la hauteur de la lame pour des lames standard d'une épaisseur de 4 mm.

FR

- Il est important que les pièces de travail soient marquées avec précision. Il peut être plus facile d'assembler les deux pièces sans les fixer dans l'exacte position requise et de faire les marques sur les deux pièces, puis de couper les fentes des lamelles. Assemblez de nouveau provisoirement, avec la première lamelle fixée, avant de marquer la fente requise pour la deuxième lamelle. Idéalement il est préférable de positionner la première fente pour la lamelle au milieu dans le bois.
- Il y a une tolérance en effectuant un assemblage de pièces de bois avec des lamelles car les fentes peuvent être agrandies si nécessaire, mais il est préférable de travailler avec précisions et d'effectuer des mesures régulièrement.
- Les fraiseuses à lamelles peuvent être placées dans de nombreuses positions lorsque vous effectuez un assemblage de pièces de bois (Fig.I) et si nécessaire, là où les lamelles sont requises sur plusieurs surfaces, des fentes plus larges et agrandies (Fig.III) peuvent être utilisées pour permettre à la pièce de travail de s'assembler sur plusieurs côtés plus facilement.
- La pièce de travail devra être fixée avec des serre-joints sur l'établi, bien que dans certain cas l'utilisation d'un tapis antidérapant entre la pièce de travail et la surface de l'établi soit suffisante.

1. Choisissez la taille correcte des lamelles sur la tourelle à butée (11)
2. Maintenez le corps de l'appareil avec une main de sorte qu'un doigt soit sur la gâchette marche/arrêt (17).
3. Alignez avec précision les marques de l'appareil avec les marques tracées au crayon sur la pièce de travail et positionnez l'outil prêt à couper la fente.
4. Positionnez l'outil contre la pièce de travail de sorte que la semelle (19) et le dessous du guide (30) soient complètement en contact avec la pièce de travail.
5. Appuyez sur le devant du guide avec les doigts de votre autre main pour maintenir l'appareil en position, et vérifiez qu'il n'y a pas d'espaces sous la semelle ou en-dessous du guide.

Remarque : Il peut être nécessaire de sécuriser l'appareil en appuyant sur le guide (30) (Image H) plutôt que de tenir la poignée auxiliaire (1) pour s'assurer que l'appareil reste bien dans la même position sur le bois.

Remarque : Il peut être nécessaire d'appliquer une pression si vous utilisez un tapis antidérapant pour sécuriser la pièce de travail, ce qui nécessite plus de pression vers le bas sur la pièce de travail. Ne le faites uniquement si vous vous sentez capable de maintenir l'appareil par son corps principal avec seule main. Idéalement les deux mains devraient être utilisées pour maintenir l'appareil pendant le fonctionnement avec la pièce de travail convenablement fixée sur la surface de travail pour un maximum de sécurité.

6. Appuyez sur la gâchette marche/arrêt (17), laissez la lame atteindre sa vitesse normale puis poussez le corps de l'appareil vers l'avant de sorte que la lame (32) pénètre dans la pièce de travail (Image H).
7. Poussez le corps de l'appareil vers l'avant aussi loin que possible, jusqu'à ce qu'il soit stoppé par la butée de profondeur (13) de la tourelle à butée (11) afin de créer la fente requise sur la pièce de travail.
8. Tout en gardant l'appareil sous tension, laissez le corps de l'appareil retourner dans sa position initiale, en retirant la lame de la pièce de travail. Maintenez l'appareil fermement avec les deux mains pendant cette opération.
9. Une fois que la lame sort de la pièce de travail, relâchez la gâchette marche/arrêt.

Remarque : Le ressort de retour provoquera le retour automatique du corps de l'appareil dans sa position initiale, en retirant la lame de la pièce de travail, tout en appliquant toujours une certaine pression sur la semelle et le guide. L'utilisateur doit contrôler avec précaution la sortie de la lame, en prenant soin de maintenir l'appareil exactement dans la même position que celle prise pour créer la fente.

10. Une fois la lame bien sortie de la pièce de travail et qu'elle s'est arrêtée de tourner, enlevez l'appareil de la pièce de travail.

Remarque : Il est recommandé de faire avant des essais sur des chutes de bois afin de bien comprendre comment l'appareil fonctionne.

Remarque : Assemblez toujours les pièces de bois avec les lamelles sans colle avant de l'appliquer pour l'assemblage final car la colle active les lamelles et les élargit légèrement en plus de coller les pièces de bois ensemble, ce qui rend le réassemblage difficile s'il est incorrect.

Positionnement

- Afin de couper les fentes appropriées sur la surface de l'assemblage des pièces de travail, l'appareil a besoin d'être positionné perpendiculairement à cette surface (Image D, E et F).
- Il est recommandé de travailler avec l'appareil pesant vers le bas de la pièce de travail, pour que le poids de l'appareil travaille avec le sens de l'opération, au contraire d'essayer d'effectuer les fentes vers le haut par le dessous de la pièce de travail.
- Si vous avez besoin d'effectuer des fentes éloignées d'un bord, (interne ou encoche), enlevez le guide (30) en desserrant la molette de verrouillage du guide (29) et enlevez-le de l'appareil. La fraiseuse à lamelles peut maintenant rester verticalement sur une surface et être positionnée librement, même sur de grandes pièces de travail (Image A). Assurez-vous que l'appareil soit correctement en position avant de couper. Un morceau de bois fixé sur la surface de la pièce de travail peut être utilisé comme guide, ce qui empêchera l'appareil de bouger sur les deux axes.
- Pour certaines autres coupes le guide empêchera de réaliser les fentes et il devra être enlevé (Image G).

Autres assemblages

Remarque : La polyvalence de cet outil va au-delà de ce que ce manuel couvre et qui constitue qu'une présentation de ses fonctionnalités ainsi que de son utilisation.

Accessoires

Une large gamme d'accessoires est disponible chez votre revendeur Triton. Des pièces de rechange peuvent être obtenues sur toolspareonline.com.

Entretien

ATTENTION : Débranchez TOUJOURS l'appareil avant d'effectuer une inspection, l'entretien ou le nettoyage.

- Inspectez le cordon d'alimentation avant chaque utilisation, vérifiez qu'il n'est ni endommagé, ni usé. Cela s'applique également aux rallonges utilisées avec cet appareil.

Inspection générale

- Vérifiez régulièrement que les vis de fixation sont bien serrées. Elles peuvent devenir lâches avec le temps.

Lubrification

- Lubrifiez régulièrement les parties mobiles avec un vaporisateur de lubrifiant adéquat.

Changement de la lame

ATTENTION : Portez TOUJOURS des gants anti-coupures lorsque vous manipulez les lames.

IMPORTANT : N'installez jamais une lame endommagée, très usée ou émoussée.

IMPORTANT : La vitesse de rotation de la lame doit correspondre ou dépasser la vitesse à vide de l'appareil (voir caractéristiques techniques).

1. Mettez l'appareil sur son dos, avec le dessous de la base (12) dirigée vers le haut.
2. Dévissez la molette d'accès à la lame (21) jusqu'à ce que le couvercle de la base (31) puisse être soulevé. Assurez-vous que le guide (30) est à une hauteur à l'écart de la base.
3. Appuyez sur le bouton de verrouillage de l'arbre (2) et utilisez la clé à ergots pour retirer la bride fileté de la lame (33).
4. Retirez la lame (32).
5. Insérez la nouvelle lame avec les mêmes dimensions et du même type (voir caractéristiques techniques).

ATTENTION : Observez TOUJOURS le sens de rotation, comme indiqué par l'indicateur de direction (35 et 3).

6. Remettez la bride fileté de la lame, appuyez sur le bouton de verrouillage de l'arbre et serrez la bride fileté avec la clé à ergots.
7. Relâchez le bouton de verrouillage de l'arbre, abaissez le couvercle de la base et resserrez la molette d'accès à la lame.

Nettoyage

ATTENTION : Portez TOUJOURS des équipements de protection tels que des protections oculaires et des gants lorsque vous nettoyez cet outil.

- Gardez l'appareil toujours propre. La poussière et la saleté provoquent l'usure rapide des éléments internes de l'appareil et réduit sa durabilité.
- Utilisez une brosse souple ou un chiffon sec pour le nettoyage.
- N'utilisez jamais d'agents caustiques sur les parties plastiques. Si un nettoyage sec ne suffit pas, il est recommandé d'utiliser un détergent doux sur un chiffon humide.
- L'appareil ne doit jamais être mis en contact avec de l'eau.
- Assurez-vous que l'appareil soit complètement sec avant de l'utiliser.
- Si possible, nettoyez les orifices de ventilation à l'air comprimé propre et sec (si applicable).

Remplacement des charbons

- Avec le temps, les balais de charbon du moteur s'usent.
- Si les balais sont excessivement usés, le rendement du moteur peut diminuer, la machine peut ne pas démarrer ou une quantité anormale d'étincelles peut être observée.

Pour remplacer les balais de charbon :

1. Enlevez les vis de la poignée (20) qui maintiennent le boîtier de la poignée principale.
2. Retirez avec précaution les deux faces en prenant soin de ne pas tirer ou endommager les câbles.
3. Utilisez avec précaution un tournevis pour pousser dans la petite encoche sur le devant indiqué par la flèche du bas (Image I)
4. Appuyez avec précaution l'autre côté de la base du balai comme indiqué par la flèche du haut (Image I) puis enlevez avec soin le balai de charbon de son compartiment.
5. Enlevez les deux balais de charbon usés et remplacez-les avec les nouveaux balais (Image J), en veillant à ce que les petites pointes sur l'intérieur de l'outil s'alignent correctement avec les nouveaux balais (Image K).
6. Réassemblez le boîtier avec soin puis remettez et serrez les vis de la poignée.

•Autrement, faites réviser l'appareil dans un centre de réparation agréé par Triton.

Remarque : Remplacez toujours les balais de charbon par paire

Recyclage

Lorsque l'appareil n'est plus en état de fonctionner et qu'il n'est pas réparable, recyclez l'appareil conformément aux réglementations nationales.

- Ne jetez pas les outils électriques, batteries et autres équipements électriques ou électroniques (DEEE) avec les ordures ménagères.
- Contactez les autorités locales compétentes en matière de gestion des déchets pour vous informer de la procédure à suivre pour recycler les outils électriques.

Garantie

Pour valider votre garantie, rendez-vous sur notre site internet www.tritontools.com* et saisissez vos coordonnées.

Pense-bête

Date d'achat : ___/___/___

Modèle: TBJ001

Veuillez conserver votre ticket de caisse comme preuve d'achat.

Si toute pièce de ce produit s'avérait défectueuse du fait d'un défaut de fabrication ou de matériau dans les 3 ANS à compter de la date d'achat, Triton Precision Power Tools s'engage auprès de l'acheteur de ce produit à réparer ou, à sa discrétion, à remplacer gratuitement la pièce défectueuse.

Cette garantie ne s'applique pas lors d'un usage commercial et ne couvre pas l'usure normal du produit ou les dommages liés à un accident, un usage abusif ou un usage non-conforme de l'appareil.

* Enregistrez votre produit en ligne dans les 30 jours suivant la date d'achat.

Offre soumise à conditions.

Ceci n'affecte pas vos droits statutaires.

FR

Übersetzung des Originaltextes

Einführung

Vielen Dank, dass Sie sich für dieses Triton-Werkzeug entschieden haben. Diese Anleitung enthält wichtige Informationen für das sichere und effektive Arbeiten mit diesem Produkt. Bitte lesen Sie diese Anleitung sorgfältig durch, um den größtmöglichen Nutzen aus dem einzigartigen Design dieses Produkts ziehen zu können. Bewahren Sie diese Anleitung griffbereit auf und sorgen Sie dafür, dass alle Benutzer dieses Geräts sie gelesen und verstanden haben.

Symbolerklärung

Auf dem Typenschild des Werkzeugs sind möglicherweise Symbole abgebildet. Sie vermitteln wichtige Informationen über das Produkt oder dienen als Gebrauchsanweisung.



Gehörschutz tragen
Augenschutz tragen
Atemschutz tragen
Kopfschutz tragen



Schutzhandschuhe tragen



Bedienungsanleitung sorgfältig lesen



WARNUNG! Scharfe Sägeblätter/-zähne!



Nicht im Regen oder in feuchter Umgebung verwenden!



Vor Einstellungsänderungen, Zubehörwechseln, Reinigungs- und Instandhaltungsarbeiten sowie bei Nichtgebrauch stets von der Spannungsversorgung trennen!



Staubabsaugung erforderlich bzw. empfohlen



WARNUNG! Risiko von Quetsch- und Schnittverletzungen durch bewegliche Teile!



Achtung, Gefahr!



Schutzklasse II (doppelt isoliert)



Umweltschutz
Elektroaltgeräte dürfen nicht über den Haushaltsmüll entsorgt werden. Nach Möglichkeit bitte über entsprechende Einrichtungen entsorgen. Lassen Sie sich bezüglich der sachgemäßen Entsorgung von Elektrowerkzeugen von der zuständigen Behörde oder dem Händler beraten.



Erfüllt die entsprechenden rechtlichen Vorschriften und Sicherheitsnormen

Verzeichnis der technischen Symbole und Abkürzungen

V	Volt
~, AC	Wechselstrom
A, mA	Ampere, Milliampere
n0	Leerlaufdrehzahl
n	Nennndrehzahl
°	Grad
Ø	Durchmesser

Hz	Hertz
==, DC	Gleichstrom
W, kW	Watt, Kilowatt
/min or min⁻¹	Umdrehungen pro Minute
dB(A)	Schallpegel in Dezibel (A-bewertet)
m/s²	Quadratmeter pro Sekunde (Schwingungsstärke)

Technische Daten

Modell Typ:	TBJ001
Spannung:	230 V - 50 Hz
Eingangleistung:	760 W
Leerlaufdrehzahl:	11.600 min ⁻¹
Winkelanschlagsbereich	0 - 90°
Maximale Schnitttiefe:	18 mm
Sägeblattdurchmesser:	Ø 100 mm
Fräserabmessungen:	Ø 100 x Ø 22 x 3,92 mm x 6 Zähne
Höhen Einstellung:	0 - 40 mm
Schutzart:	IP20
Schutzklasse:	
Netzkabellänge:	3 m
Abmessungen (L x H x B):	460 x 145 x 138 mm
Gewicht:	2,65 kg

Aufgrund der fortlaufenden Weiterentwicklung unserer Produkte können sich die technischen Daten von Triton-Produkten ohne vorherige Ankündigung ändern.

Geräusch- und Vibrationsinformationen:

Schalldruckpegel LPA:	92 dB(A)
Schalleistungspegel LWA:	103 dB(A)
Unsicherheit K:	3 dB
Hand-Arm-Vibration:	3,27 m/s ²
Unsicherheit K:	1,5m/s ²

Der Schallintensitätspegel kann für den Bediener 85 dB(A) übersteigen und Lärmschutzmaßnahmen sind notwendig.

WARNUNG: Tragen Sie in Bereichen, in denen der Lärmpegel 85 dB(A) überschreitet, unbedingt angemessenen Gehörschutz und begrenzen Sie nach Möglichkeit die Belastungsdauer. Sollte trotz Gehörschutz Unbehagen irgendeiner Art auftreten, beenden Sie die Arbeit unverzüglich und überprüfen Sie den Gehörschutz auf korrekten Sitz und Funktion und stellen Sie sicher, dass dieser einen angemessenen Schutz für den Lärmpegel bietet, der von den verwendeten Werkzeugen ausgeht.

WARNUNG: Bei der Benutzung mancher Werkzeuge wird der Benutzer Vibrationen ausgesetzt, welche zum Verlust des Tastsinns, zu Taubheitsgefühl, Kribbeln und zu einer Verminderung der Handgrieffkraft führen können. Langfristige Belastung kann zu chronischen Beschwerden führen. Begrenzen Sie, falls nötig, die Exposition zu Vibrationen und tragen Sie vibrationsmindernde Handschuhe. Verwenden Sie dieses Werkzeug nicht mit kalten Händen, da Vibrationen bei Temperaturen unter dem individuellen Komfortbereich eine stärkere Wirkung zeigen. Beurteilen Sie die Vibrationsbelastung unter Zuhilfenahme der Technischen Daten des jeweiligen Werkzeuges und bestimmen Sie die zulässige Belastungsdauer und -häufigkeit.

Die in den Technischen Daten angegebenen Geräusch- und Vibrationsinformationen werden nach internationalen Standards bestimmt. Die angegebenen Werte beziehen sich auf eine normale Benutzung des Werkzeuges unter normalen Arbeitsbedingungen. Schlecht gewartete, inkorrekt montierte und unsachgemäß verwendete Werkzeuge können erhöhte Schallpegel und Vibrationswerte aufweisen. Weitere Informationen zur EU-Vibrationsrichtlinie und zu Schall- sowie Vibrationsbelastungen, die auch für Heimanwender relevant sein können, finden Sie auf den Seiten der Europäischen Agentur für Sicherheit und Gesundheitsschutz am Arbeitsplatz: www.osha.europa.eu.

Allgemeine Sicherheitshinweise

WARNUNG! Lesen Sie alle Sicherheitshinweise und Anweisungen. Versäumnisse bei der Einhaltung der Sicherheitshinweise und Anweisungen können elektrischen Schlag, Brand und/oder schwere Verletzungen verursachen.

WARNUNG! Dieses Gerät darf nicht von Personen (wie z.B. Kindern) mit eingeschränkter körperlicher oder geistigen Fähigkeiten oder von Personen ohne Erfahrung im Umgang mit einem solchen Gerät betrieben werden, außer wenn sie von einer für ihre persönliche Sicherheit verantwortlichen Person in der Benutzung unterwiesen worden sind und dabei beaufsichtigt werden. Kinder müssen beaufsichtigt werden, um sicherzustellen, dass sie das Gerät nicht als Spielzeug verwenden.

Bewahren Sie alle Sicherheitshinweise und Anweisungen für die Zukunft auf.

Der in den Sicherheitshinweisen verwendete Begriff „Elektrowerkzeug“ bezieht sich auf netzbetriebene Elektrowerkzeuge (mit Netzkabel) und auf akkubetriebene Elektrowerkzeuge (ohne Netzkabel).

Arbeitsplatzsicherheit

- Halten Sie Ihren Arbeitsbereich sauber und gut beleuchtet. Unordnung oder unbeleuchtete Arbeitsbereiche können zu Unfällen führen.
- Arbeiten Sie mit dem Elektrowerkzeug nicht in explosionsgefährdeter Umgebung, in der sich brennbare Flüssigkeiten, Gase oder Stäube befinden. Elektrowerkzeuge erzeugen Funken, die den Staub oder die Dämpfe entzünden können.
- Halten Sie Kinder und andere Personen während der Benutzung des Elektrowerkzeugs fern. Bei Ablenkung können Sie die Kontrolle über das Gerät verlieren.

Elektrische Sicherheit

- Der Anschlussstecker des Elektrowerkzeuges muss in die Steckdose passen. Der Stecker darf in keiner Weise verändert werden. Verwenden Sie keine Adapterstecker gemeinsam mit geschützten Elektrowerkzeugen. Unveränderte Stecker und passende Steckdosen verringern das Risiko eines elektrischen Schlages.
- Vermeiden Sie Körperkontakt mit geerdeten Oberflächen wie von Rohren, Heizungen, Herden und Kühlschränken. Es besteht ein erhöhtes Risiko durch elektrischen Schlag, wenn Ihr Körper geerdet ist.
- Halten Sie Elektrowerkzeuge von Regen oder Nässe fern. Das Eindringen von Wasser in ein Elektrowerkzeug erhöht das Risiko eines elektrischen Schlages.
- Zweckentfremden Sie das Kabel nicht, um das Elektrowerkzeug zu tragen, aufzuhängen oder um den Stecker aus der Steckdose zu ziehen. Halten Sie das Kabel fern von Hitze, Öl, scharfen Kanten oder sich bewegenden Geräteteilen. Beschädigte oder verwickelte Kabel erhöhen das Risiko eines elektrischen Schlages.
- Wenn Sie mit einem Elektrowerkzeug im Freien arbeiten, verwenden Sie nur Verlängerungskabel, die auch für den Außenbereich geeignet sind. Die Anwendung eines für den Außenbereich geeigneten Verlängerungskabels verringert das Risiko eines elektrischen Schlages.
- Wenn der Betrieb des Elektrowerkzeuges in feuchter Umgebung nicht vermeidbar ist, verwenden Sie einen Fehlerstromschutzschalter. Der Einsatz eines Fehlerstromschutzschalters vermindert das Risiko eines elektrischen Schlages.

Sicherheit von Personen

- Seien Sie aufmerksam, achten Sie darauf, was Sie tun, und gehen Sie mit Vernunft an die Arbeit mit einem Elektrowerkzeug. Benutzen Sie kein Elektrowerkzeug, wenn Sie müde sind oder unter dem Einfluss von Drogen, Alkohol oder Medikamenten stehen. Ein Moment der Unachtsamkeit beim Gebrauch des Elektrowerkzeuges kann zu ernsthaften Verletzungen führen.
- Tragen Sie persönliche Schutzausrüstung und immer eine Schutzbrille. Das Tragen persönlicher Schutzausrüstung, wie Staubmaske, rutschfeste Sicherheitsschuhe, Schutzhelm oder Gehörschutz, je nach Art und Einsatz des Elektrowerkzeuges, verringert das Risiko von Verletzungen.

- Vermeiden Sie eine unbeabsichtigte Inbetriebnahme. Vergewissern Sie sich, dass das Elektrowerkzeug ausgeschaltet ist, bevor Sie es an die Stromversorgung und/oder den Akku anschließen, es aufnehmen oder tragen. Wenn Sie beim Tragen des Elektrowerkzeuges den Finger am Schalter halten oder das Gerät eingeschaltet an die Stromversorgung anschließen, kann dies zu Unfällen führen.
- Entfernen Sie Einstellwerkzeuge oder Schraubenschlüssel, bevor Sie das Elektrowerkzeug einschalten. Ein Werkzeug oder Schlüssel, der sich in einem drehenden Geräteteil befindet, kann zu Verletzungen führen.
- Vermeiden Sie eine unatürliche Körperhaltung. Sorgen Sie für einen sicheren Stand und halten Sie jederzeit das Gleichgewicht. Auf diese Weise lässt sich das Elektrowerkzeug in unerwarteten Situationen besser kontrollieren.
- Tragen Sie geeignete Kleidung. Tragen Sie keine weite Kleidung oder Schmuck. Halten Sie Haare, Kleidung und Handschuhe fern von sich bewegenden Teilen. Lockere Kleidung, Schmuck oder lange Haare können von sich bewegenden Teilen erfasst werden.
- Wenn Staubabsaug- und -auffangeinrichtungen montiert werden können, vergewissern Sie sich, dass diese angeschlossen sind und richtig verwendet werden. Verwendung einer Staubabsaugung kann Gefährdungen durch Staub verringern.

Verwendung und Behandlung des Elektrowerkzeuges

- Überlasten Sie das Gerät nicht. Verwenden Sie für Ihre Arbeit das dafür bestimmte Elektrowerkzeug. Mit dem passenden Elektrowerkzeug arbeiten Sie besser und sicherer im angegebenen Leistungsbereich.
- Benutzen Sie kein Elektrowerkzeug, dessen Schalter defekt ist. Ein Elektrowerkzeug, das sich nicht mehr ein- oder ausschalten lässt, ist gefährlich und muss repariert werden.
- Ziehen Sie den Stecker aus der Steckdose und/oder entfernen Sie den Akku, bevor Sie Geräteeinstellungen vornehmen, Zubehörlteile wechseln oder das Gerät weglegen. Diese Vorsichtsmaßnahme verhindert den unbeabsichtigten Start des Elektrowerkzeuges.
- Bewahren Sie unbenutzte Elektrowerkzeuge außerhalb der Reichweite von Kindern auf. Lassen Sie Personen das Gerät nicht benutzen, die mit diesem nicht vertraut sind oder diese Anweisungen nicht gelesen haben. Elektrowerkzeuge sind gefährlich, wenn sie von unerfahrenen Personen benutzt werden.
- Pflegen Sie Elektrowerkzeuge mit Sorgfalt. Kontrollieren Sie, ob bewegliche Teile einwandfrei funktionieren und nicht klemmen, ob Teile gebrochen oder so beschädigt sind, dass die Funktion des Elektrowerkzeuges beeinträchtigt ist. Lassen Sie beschädigte Teile vor dem Einsatz des Gerätes reparieren. Viele Unfälle haben ihre Ursache in schlecht gewarteten Elektrowerkzeugen.
- Halten Sie Schneidwerkzeuge scharf und sauber. Sorgfältig gepflegte Schneidwerkzeuge mit scharfen Schneidkanten verkleinern sich weniger und sind leichter zu führen.
- Verwenden Sie Elektrowerkzeug, Zubehör, Einsatzwerkzeuge usw. entsprechend diesen Anweisungen. Berücksichtigen Sie dabei die Arbeitsbedingungen und die auszuführende Tätigkeit. Der Gebrauch von Elektrowerkzeugen für andere als die vorgesehenen Anwendungen kann zu gefährlichen Situationen führen.

Service

- Lassen Sie Ihr Elektrowerkzeug nur von qualifiziertem Fachpersonal und nur mit Original-Ersatzteilen reparieren. Damit wird sichergestellt, dass die Sicherheit des Elektrowerkzeuges erhalten bleibt.

Zusätzliche Sicherheitshinweise für Dübelmaschinen und Dübelfrässtationen



- Dübelfräser müssen mindestens auf die Nennzahl des jeweiligen Gerätes ausgelegt sein. Über ihrer zugelassenen Drehzahl arbeitende Fräser können auseinanderfliegen und Verletzungen verursachen.
- Verwenden Sie stets die Schutzhaube und andere Schutzvorrichtungen des Gerätes. Diese schützen den Bediener vor abgebrochenen Fräserteilen und versehentlichem Kontakt mit scharfen Kanten oder Zähnen.
- Fassen Sie das Elektrowerkzeug nur an den isolierten Griffflächen an, wenn Sie Arbeiten ausführen, bei denen das Einsatzwerkzeug das eigene Netzkabel treffen kann. Kontakt mit einer spannungsführenden Leitung setzt auch Metallteile des Elektrowerkzeuges unter Spannung und führt zu einem elektrischen Schlag.
- Dieses Gerät darf nicht von Personen unter 18 Jahren verwendet werden. Bediener müssen im Gebrauch des Gerätes geschult und mit den Sicherheitsvorschriften vertraut sein.
- Sollte ein Auswechseln des Netzkabels erforderlich sein, muss dieses vom Hersteller oder einer zugelassenen Reparaturwerkstatt ausgeführt werden, um Sicherheitsrisiken auszuschließen.
- Es wird dringend empfohlen, dass bei der Stromversorgung des Gerätes ein Fehlerstromschutzschalter mit einem Bemessungsfehlerstrom von höchstens 30 mA eingesetzt wird.

WARNUNG! Verwenden Sie KEINE unscharfen oder beschädigten Sägeblätter.

WARNUNG! Überprüfen Sie den Rückzugmechanismus auf eine einwandfreie Funktion.

DE



Verwenden Sie angemessenen Atemschutz: Bei der Arbeit mit diesem Gerät kann Staub entstehen, der krebserregende und geburts- bzw. fortpflanzungsschädigende Chemikalien enthält. Einige Holzarten weisen Konservierungsmittel wie Kupfer-Chrom-Arsen (CCA) auf, das giftig sein kann. Beim Schleifen, Bohren und Schneiden dieser Werkstoffe sollten das Einatmen des Staubs sowie Hautkontakt vermieden werden.

- a) Kabeltrommeln für mit diesem Gerät verwendete Verlängerungskabel müssen vollständig abgewickelt werden. Mindestleiterquerschnitt: 1,0 mm².
- b) Schließen Sie das Gerät bei Verwendung im Freien an eine Stromquelle mit Fehlerstromschutzschalter an und benutzen Sie ein Verlängerungskabel mit einem Mindestleiterquerschnitt von 1,5 mm² und wassergeschützten Steckern in einwandfreiem Betriebszustand.
- c) Vergewissern Sie sich vor Inbetriebnahme, dass der Bohrer bzw. Fräser sicher befestigt ist. Locker sitzende Einsatzwerkzeuge können aus dem Gerät geschleudert werden und eine Sicherheitsgefahr darstellen.
- d) Warten Sie stets, bis das Einsatzwerkzeug zum völligen Stillstand gekommen ist, bevor Sie das Gerät ablegen.
- e) Tragen Sie beim Betrieb dieses Gerätes Sicherheitsausrüstung einschließlich Schutzbrille oder Gesichtsschild, Gehörschutz und Schutzkleidung einschließlich Schutzhandschuhen. Verwenden Sie eine Staubschutzmaske, wenn beim Bohren Staub entsteht.
- f) Sorgen Sie für ausreichende Beleuchtung des Arbeitsbereiches.
- g) Stellen Sie sicher, dass der Fräser das Werkstück vor dem Einschalten des Gerätes nicht berührt.
- h) Verwenden Sie zur Bedienung dieses Gerätes beide Hände.
- i) Montieren Sie stets mit dem Gerät gelieferte Zusatzhandgriffe, sofern in der Betriebsanweisung nicht ausdrücklich anders angegeben (z.B. zur Ausführung bestimmter Aufgaben).
- j) Üben Sie keinen Druck auf das Gerät aus, weil dadurch seine Lebensdauer verkürzt würde.
- k) Fräser werden während des Betriebs heiß. Lassen Sie sie vor dem Berühren abkühlen.
- l) Entfernen Sie Sägemehl, Sägespäne oder Ausschussmaterial nahe dem Fräser niemals mit den Händen.
- m) Falls Sie beim Betrieb des Gerätes unterbrochen werden, führen Sie den begonnenen Arbeitsschritt zu Ende und schalten Sie das Gerät aus, bevor Sie aufschauen.
- n) Verwenden Sie nach Möglichkeit Spannvorrichtungen oder einen Schraubstock zur sicheren Befestigung des Werkstücks.
- o) Trennen Sie das Gerät stets von der Stromversorgung, bevor Sie einen Fräser wechseln.
- p) Untersuchen Sie die Fräseraufnahme regelmäßig auf Verschleißerscheinungen und Schäden. Lassen Sie defekte Teile von einer zugelassenen Vertragswerkstatt reparieren bzw. ersetzen.
- q) Trennen Sie das Gerät nach Beendigung der Arbeit vom Stromnetz.
- r) Überprüfen Sie in regelmäßigen Abständen sämtliche Schrauben, Muttern und anderen Befestigungsmittel auf festen Sitz und ziehen Sie sie bei Bedarf an.

Zusätzliche Sicherheitshinweise für Schneidwerkzeuge

WARNUNG! Stellen Sie vor Anschluss eines Werkzeugs an eine Stromquelle (Steckdose, Stromanschluss usw.) sicher, dass die Netzspannung der auf dem Typenschild des Werkzeugs angegebenen Spannung entspricht. Eine Stromquelle mit einer höheren Spannung als der für das Werkzeug spezifizierten Spannung kann zu schweren Verletzungen des Bedieners sowie Beschädigung des Werkzeugs führen. Schließen Sie das Werkzeug im Zweifelsfall nicht an. Eine niedrigere Spannung als auf dem Leistungsschild angegeben schadet dem Motor.

Korrektes Schneidwerkzeug verwenden

- Vergewissern Sie sich, dass sich das Schneidwerkzeug für die auszuführende Aufgabe eignet. Ziehen Sie vor Gebrauch immer die Produktliteratur heran und gehen Sie nicht ohne Überprüfung davon aus, dass das Werkzeug für die Anwendung geeignet ist.

Augen schützen

- Tragen Sie bei Verwendung von Schneidwerkzeugen immer angemessenen Augenschutz.
- Gewöhnliche Brillen sind als Augenschutz bei Verwendung dieses Werkzeugs nicht ausreichend. Normale Brillengläser sind nicht schlagfest und könnten zersplittern.

Gehör schützen

- Bei Werkzeugeschallpegeln über 85 dB immer geeigneten Gehörschutz tragen.

Atemwege schützen

- Sorgen Sie dafür, dass Sie selbst und Umstehende geeignete Staubschutzmasken tragen.

Hände schützen

- Halten Sie die Hände von Schneidwerkzeugen fern. Verwenden Sie für kürzere Werkstücke einen entsprechend geeigneten Schiebstock, wenn dies mit der Art des Elektrowerkzeugs vereinbar ist.

Auf Umstehende achten

- Es liegt in der Verantwortung des Bedieners, dass andere Personen im Arbeitsbereich keinen gefährlichen Schallpegeln oder Staub ausgesetzt werden. Sorgen Sie dafür, dass diesen Personen geeignete Schutzausrüstung zur Verfügung steht.

Nicht sichtbare Gegenstände

- Untersuchen Sie das Werkstück vor Arbeitsbeginn gründlich auf Nägel und andere Fremdkörper und entfernen Sie diese.

- Bearbeiten Sie keine Werkstücke, die Fremdkörper enthalten, es sei denn, Sie sind sicher, dass sich der Schneideinsatz am Gerät für die Aufgabe eignet.
- In Wänden können sich verdeckte Drähte und Leitungen befinden, in Karosserieteilen können versteckte Kraftstoffleitungen verlaufen und in hohem Gras können Steine oder Glas vorhanden sein. Überprüfen Sie vor Arbeitsbeginn immer zunächst gründlich den Arbeitsbereich.

Auf geschleuderten Verschnitt achten

- In einigen Situationen können Verschnittstücke mit hoher Geschwindigkeit vom Schneidwerkzeug weggeschleudert werden. Es liegt in der Verantwortung des Bedieners, für den Schutz anderer, im Arbeitsbereich befindlicher Personen vor katastrophem Ausschussmaterial zu sorgen.

Einsetzen von Zubehör

- Vergewissern Sie sich vor Gebrauch, dass das Schneidzubehör ordnungsgemäß und fest eingesetzt wurde. Prüfen Sie vor Gebrauch, dass Schraubschlüssel und Einstellwerkzeuge entfernt wurden.
- Verwenden Sie nur für das Gerät empfohlenes Zubehör.

Versuchen Sie nicht, das Gerät oder sein Zubehör zu modifizieren.

- Vergewissern Sie sich, das Sägeblätter scharf, in gutem Zustand und korrekt installiert sind.
- Schärfen Sie keine Sägeblätter die nicht wieder geschärft werden können; diese beinhalten spezial-gehärtete Sägeblätter oder Sägeblätter aus gehärteten Legierungen wie Wolframkarbid.
- Schärfen Sie Sägeblätter die geschärft werden können, nur den Anweisungen des Herstellers zu folgend. Hier könnte die Anzahl an Schärfungen eingeschränkt sein.
- Geschärfte Sägeblätter müssen öfter und gründlicher vor jedem Einsatz inspiziert und eventuell ausgetauscht werden, falls Sie Zweifel über deren Zustand und Eignung haben.
- Sollten das Sägeblatt, während des Arbeitsvorganges, auf eingebettete, harte Gegenstände stoßen, muss es ausgetauscht werden.

Vorschubrichtung

- Führen Sie das Werkstück dem Sägeblatt oder Schneideinsatz nur gegen die Bewegungsrichtung von Sägeblatt oder Schneideinsatz zu.

Vorsicht vor Hitzebildung

- Beachten Sie, dass Schneidwerkzeuge und Werkstücke während des Gebrauchs heiß werden können. Versuchen Sie nicht, Werkzeuge auszutauschen, bevor sie völlig abgekühlt sind.

Abfallstoffe kontrollieren

- Achten Sie darauf, dass sich keine Späne oder Staub ansammeln. Sägemehl stellt eine Brandgefahr dar und einige Metallspäne sind explosionsgefährlich.
- Lassen Sie bei Geräten zum Sägen von Holz und Metall besondere Vorsicht walten. Funken infolge von Metallsägen sind eine häufige Ursache für Holzstaubfeuer. Verwenden Sie nach Möglichkeit ein Staubabsaugsystem, um eine sicherere Arbeitsumgebung zu gewährleisten.

Produktübersicht

1. Zusatzgriff
2. Spindelarrretierung
3. Richtungsanzeige
4. Winkelfeststellhebel
5. Zentrieranzeige (Frontplatte)
6. Flachdübelanschlag (Links)
7. Flachdübelanschlag (Mitte)
8. Flachdübelanschlag (Rechts)
9. Anti-Rutsch-Polster
10. Tiefenanzzeige
11. Tiefen-Einstellschraube
12. Grundplatte
13. Tiefenarrretierung
14. Sperrmutter für die Tiefenarrretierung
15. Staubabzugsstutzen
16. Motor-Lüftungsschlitze
17. Ein-/Ausschalter
18. Hauptgriff
19. Frontplatte
20. Haltegriffschrauben (x 4)
21. Sägeblattzuggriffsknopf
22. Zusatzgriffschrauben (x 2)
23. Winkeleinstellung (0°, 45° u. 90°)
24. Winkelskala
25. Winkelanzeige
26. Sägeblatt-Zentrieranzeige
27. Anschlagshöhenskala
28. Sägeblattschlitz
29. Anschlagarrretierung

- 30. Anschlag
- 31. Fräserabdeckung
- 32. Sägeblatt
- 33. Sägeblatt-Gewindeflansch
- 34. Sägeblattzahn
- 35. Richtungsanzeige

Zubehör (nicht abgebildet): Stiftschlüssel, Staubbeutel, Innensechskantschlüssel & Gerätertasche

Bestimmungsgemäße Verwendung

Tragbare, netzstrombetriebene Hand-Flachdübelfräse mit kleinem Kreissägeblatt zum Sägen von Schlitzlen in Holz, um Holzverbindungen für Flachdübel zu erzeugen.

Auspacken des Gerätes

- Packen Sie Ihr Gerät vorsichtig aus und überprüfen Sie es. Machen Sie sich vollständig mit allen seinen Eigenschaften und Funktionen vertraut.
- Vergewissern Sie sich, dass sämtliche Teile des Gerätes vorhanden und in einwandfreiem Zustand sind. Sollten Teile fehlen oder beschädigt sein, lassen Sie diese ersetzen, bevor Sie das Gerät verwenden.

Vor Inbetriebnahme

WARNUNG! Trennen Sie das Gerät stets vom Stromnetz, bevor Sie Zubehörwechsel oder Einstellungsänderungen vornehmen.

WICHTIG! Vergewissern Sie sich, dass das Sägeblatt sicher installiert ist, bevor Sie das Gerät zum ersten Mal benutzen. Beziehen Sie sich hierbei auf die Anweisungen unter „Sägeblatt auswechseln“.

Zusatzgriff

- Montieren Sie den Zusatzgriff (1) mit Hilfe der Zusatzgriffschrauben (2) und Unterlegscheiben. <Confirmed>
- Der Zusatzhandgriff ist in einer festen Position angebracht, mit Vorsprüngen, die seitlich in das Werkzeuggehäuse eingreifen. Eine Winkelverstellung des Handgriffs ist somit nicht möglich.

Flachdübel-Tabelle

Positionseinstellung	Flachdübel	Breite	Länge	Stärke	Schnitttiefe
0	Nr.0	15–16 mm (5/8")	44–47 mm (1-13/16")	4 mm (19/128")	8 mm (5/16")
10	Nr.10	19 mm (13/16")	53-54 mm (2-1/16")	4 mm (19/128")	10 mm (3/8")
20	Nr.20	25 mm (15/16")	56-60 mm (2-5/16")	4 mm (19/128")	12,3 mm (1/2")
S	Nr.20	25 mm (15/16")	56–60 mm (2-5/16")	4 mm (19/128")	13 mm (1/2")
D	S6	30mm (1-1/8")	85 mm (3-3/8")	4 mm (19/128")	14,7–15 mm (19/32")
MAX	Nicht zutreffend	Tiefeneinstellung: max. einzustellende Schnitttiefe (18 mm (23/32 Zoll))			
NICHT KOMPATIBEL	Nr.H9	12 mm	38 mm	3 mm	6–7 mm (1/4")
NICHT KOMPATIBEL	Triton 7 (BJA050/BJA056)				

- Abmessungen sind ungefähre Angaben

Höheneinstellung

Hinweis: Die Nut für den Flachdübel muss sich stets mittig im Werkstück befinden, d.h. die Schnitthöhe muss auf die halbe Werkstückstärke eingestellt werden.

- Die Schnitthöhe mit installierten Anschlag (30) kann zwischen 0 und 40 mm eingestellt werden.
1. Lösen Sie die Anschlagarreterung (29).
 2. Wählen Sie die benötigte Höhenposition des Anschlags mit Hilfe der Anschlaghöhenkala (27).
 3. Ziehen Sie die Anschlagarreterung wieder an.

Anschlagswinkel einstellen

Der Anschlag (30) bietet eine 90° Winkeleinstellung und lässt sich einfach und schnell auf 0°, 45° und 90° für angewinkelte Schnitte einrasten (Abb. C).

Gewünschten Winkel einstellen:

1. Lösen Sie den Winkelfeststellhebel (4), indem Sie diesen von der Frontplatte (19) wegziehen.
2. Stellen Sie die Frontplatte auf den gewünschten Winkel, mit Hilfe der Winkelskala (24) und der Winkelanzeige (25) ein.
3. Ziehen Sie den Winkelfeststellhebel wieder an. So ist der Anschlag nun im gewünschten Winkel gesichert.

Staubabzugstutzen

- Dieses Gerät sollte an ein Staubabzugssystem oder einen Staubsauger über den Staubabzugsstutzen (15) angeschlossen werden.
- Sollte dies nicht möglich sein, muss der mitgelieferte Staubbeutel über den Abzugsstutzen gestülpt werden.

Hinweis: Falls Sie den mitgelieferten Staubbeutel verwenden, sollten Sie diesen in regelmäßigen Abständen entfernen und entleeren, am besten wenn der Staubbeutel halbvoll ist.

Schnitttiefeinstellung

Dieses Gerät verfügt über eine Tiefen-Feststellschraube (11) mit 6 verschiedenen Tiefeneinstellungen (0, 10, 20, S, D u. Max) und trägt eine breite Auswahl an Flachdübeln oder Platten. Sehen Sie sich dafür die unten angeführte Dübel-Tabelle an.

Es wird empfohlen Ihr Gerät, auf die am häufigsten benutzte Dübel-größe, zu kalibrieren. Eine typische Flachdübel-größe ist Nr.10.

1. Wählen Sie Position '10', indem Sie die Tiefen-Feststellschraube (11) solange drehen bis '10' durch die Tiefenanzeige (10) angezeigt wird.
2. Drücken Sie den Zusatzgriff (1) bis die Tiefenarreterung (13) die Tiefen-Feststellschraube berührt (Abb. B) und messen dann die Länge des freigelegten, aus dem Sägeblattschlitz (28) herausragenden Sägeblattes. Vergewissern Sie sich, dass das Sägeblattzahnende (34) sich im weitesten Abstand vom Sägeblattschlitz zum drehenden Sägeblatt (32) befindet und somit mittig steht. Jetzt den Abstand vom Sägeblattzahnende zur Sägeblattschlitzoberfläche messen.
3. Die Abmessung sollte, wie in der Tabelle unten aufgeführt ist, 10 mm für Nr.10 anzeigen. Falls die Abmessung abweicht, lösen Sie die Sperrmutter der Tiefenarreterung (14) und verringern oder erweitern Sie die Länge der Tiefenarreterung (13) bis auf die benötigte 10-mm-Schnitttiefe.
4. Sobald die Einstellung korrigiert ist, ziehen Sie die Sperrmutter der Tiefenarreterung wieder an.

WARNUNG! Eine falsch eingestellte Schnitttiefe kann Ihr Werkstück beschädigen.

Hinweis: Die anderen Tiefenpositionen der Tiefen-Feststellschraube sind nun fachgemäß eingestellt, dabei ist die genaueste Einstellung die der Kalibrierposition.

Hinweis: Führen Sie erst einen Probeschnitt an einem Stück Ausschussmaterial durch, um Einstellungen zu überprüfen.

Hinweis: Prüfen Sie ob der Anschlag sicher in Position ist, bevor Sie mit dem Sägen beginnen; sollte die Überprüfung versäumt werden könnte das zu Beschädigung Ihres Werkstückes führen oder das Gerät beschädigen, sollte sich der Anschlag während der Inbetriebnahme lösen.

Hinweis: Die Winkelskala bietet nur ungefähre Angaben; verwenden Sie zusätzliche Winkelmessgeräte, falls dies für eine Überprüfung des Winkelanstrages erforderlich ist.

Bedienung

WICHTIG! Es wird empfohlen beide Hände zur Bedienung dieses Werkzeuges zu benutzen. Halten Sie mit der einen Hand den Hauptgriff (18) des Flachdübelgerätes fest, mit einem Finger auf dem Ein-/Ausschalter (17) ruhend. Mit der anderen Hand den Zusatzgriff (1) festhalten, um so einen sicheren Halt über das Gerät zu bekommen.

WICHTIG! Überprüfen Sie, dass der Rückholmechanismus der Schutzvorrichtung einwandfrei funktioniert, bevor Sie die Flachdübelfräse bedienen.

Ein- und Ausschalten des Gerätes

- Um das Gerät zu starten drücken Sie auf den Ein-/Ausschalter (17).
- Für das Ausschalten des Gerätes einfach den Ein-/Ausschalter freigeben.

Hinweise:

- Um Flachdübelnschlitz in Werkstücke sägen zu können, ist es nötig, das Gerät auf die in der "Vor Inbetriebnahme" Anleitung, einzustellen. Markieren Sie Ihr Werkstück(e) mit einem Bleistift dort, wo Sie den Schnitt wünschen (Abb. II).

DE

- Die mehrfachen Anzeigen des Gerätes helfen Ihnen das Gerät genau auf das Werkstück auszurichten. Die Zentrieranzeige der Frontplatte (5) und der Flachdübel-Anschlag (7) zeigen die Mitte des Sägeblattes an. Zwei Flachdübel-Anschläge (6 u. 8) zeigen die äußeren Kanten größerer Flachdübel an und nicht die des Sägeblattes. Die äußeren Kanten des Sägeblattes werden weiter hinten am Anschlag angezeigt. Die Sägeblattzentrieranzeige (26) auf der Seite der Grundplatte, weist auf die Höhenposition bei einem 4-mm-starken Standard-Sägeblattes hin.
 - Es ist wichtig das Werkstücke exakt markiert werden. Eine einfache Methode ist, beide Enden locker miteinander auf die gewünschte Position zusammen zu führen um mit einem Bleistift beide Seiten zu markieren um dann die Schnitte auszuführen. Fügen Sie beide Seiten wieder locker zusammen, mit auf einer-Seite-eingesetzten-Flachdübel, bevor Sie die andere Seite für weitere Flachdübel markieren. Optimal wäre für den ersten Schlitz eine mittige Position im Holz.
 - Bei Flachdübel-Verbindungen in Holz gibt es Toleranzwerte, da weitere Schlitzze, falls notwendig, eingebracht werden können. Allerdings ist es besser akkurat zu arbeiten und das Werkstück mehrmals abzumessen.
 - Dübel können bei einer großen Anzahl von Holzverbindungen eingesetzt werden um Holzteile zu verbinden (Abb. I). Falls notwendig, können Flachdübel mehrseitig mit größeren, breiteren Schlitzze (Abb. III) eingesetzt werden, um Werkstücke einfach mehrseitig zu verbinden.
 - Das Werkstück sollte auf einer Werkbank festgeklemmt werden, allerdings können in manchen Fällen die Anti-Rutsch-Polster genügen Halt zwischen Werkstück und Werkbank-Oberfläche bieten.
- Wählen Sie die richtige Flachdübelgröße für die Tiefeneinstellschraube (11) aus.
 - Halten Sie das Gerät mit der einen Hand, so dass ein Finger auf dem Ein-/Ausschalter (17) ruht.
 - Richten Sie vorsichtig die Gerätemarkierungen mit den Bleistiftmarkierungen des Werkstückes aus.
 - Positionieren Sie das Gerät gegen das Werkstück, so dass die Frontplatte (19) und die Unterseite des Anschlages (30) vollständig das Werkstück berühren.
 - Drücken Sie die Vorderseite des Anschlages mit den Fingern Ihrer anderen Hand um das Gerät in Position zu halten und prüfen Sie das sich gleiche Abstände unter der Frontplatte oder der Unterseite des Anschlages befinden.

Hinweis: Es könnte notwendig sein, das Gerät durch Druck auf den Anschlag (30) in Position zu sichern, anstatt den Zusatzgriff (1) zu bedienen (Abb. H).

Hinweis: Es könnte ebenso notwendig sein erhöhten, nach unten führenden Druck auszuüben, falls eine Anti-Rutsch-Matte zur Sicherung des Werkstückes verwendet wird. Bedienen Sie sich dieser Vorgehensweise nur, wenn Sie das Gerät mühelos einhändig am Hauptgriff festhalten können. Vorzugsweise sollten Sie das Gerät STETS, mit beiden Händen an den dazu vorgesehenen Griffen festhalten. Für maximale Sicherheit sollten Sie Ihr Werkstück mit Klemmzwingen an eine Werkbank feststellen.

- Drücken Sie den Ein-/Ausschalter (17), lassen Sie das Gerät auf seine volle Geschwindigkeit kommen und drücken Sie den Gerätekörper vorwärts, so dass das Sägeblatt (32) in das Werkstück eindringen kann (Abb. H).
- Um den gewünschten Schlitz in das Werkstück schneiden zu können, drücken Sie die Flachdübelfräse so weit nach vorne wie es geht, bis die Tiefenarretierung (13) an der Tiefenfeststellschraube (11) das Gerät stoppt.
- Mit dem angetriebenen Werkzeug, lassen Sie den Gerätekörper mit dem rotierenden Sägeblatt, langsam aus dem Werkstück in seine normale Position zurück gleiten. Halten Sie das Gerät mit beiden Händen während dessen gut fest.
- Sobald das Sägeblatt aus dem Werkstück ist, geben Sie den Ein-/Ausschalter frei.

Hinweis: Die Rückholfeder führt den Gerätekörper automatisch in seine Grundposition zurück, führt das Sägeblatt aus dem Werkstück während ein leichter Druck auf Frontplatte und Anschlag weiterhin ausgeübt wird. Der Benutzer sollte vorsichtig das Ausreten des Gerätes aus dem Werkstück kontrollieren, versuchen Sie hier die gleiche Position beizubehalten wie beim Eintreten in das Werkstück.

10. Sobald das Sägeblatt vollständig aus dem Werkstück ist und das Sägeblatt aufgehört hat zu rotieren, heben Sie das Gerät vom Werkstück weg.

Hinweis: Es wird empfohlen zuerst ein paar Übungsschnitte an einem Ausschussstück mit diesem Gerät vorzunehmen, bis Sie sich dessen Funktionen vollkommen sicher sind.

Hinweis: Passen Sie die bearbeitenden Werkstücke zuerst trocken aneinander an, bevor Sie diese mit Holzleim fixieren. Der Leim reagiert mit dem Flachdübel und verursacht ein leichtes ausdehnen, welches ein erneuertes Anpassen und zusammenfügen der Werkstücke erschwert.

Positionierung

- Um übereinstimmende Schlitzze in die Vorderseite zusammengeführter Werkstücke schneiden zu können muss das Gerät lotgerecht zur Werkstückoberfläche positioniert werden. (Abb. D, E u. F)
- Es wird empfohlen, mit dem Gerät abwärts zu arbeiten, so dass das Gewicht des Gerätes in Richtung des Werkstücks zeigt, anstatt Schnitte unterhalb des Werkstückes in Aufwärtsrichtung auszuführen.
- Sollte es notwendig sein, das Sie einen internen Täschenschnitt ausführen müssen und somit weiter von der Werkstückkante entfernt sind, dann entfernen Sie den Anschlag (30), indem Sie die Anschlagsarretierung (29) lösen und den Anschlag entfernen. Das Gerät kann nun vertikal auf einer Oberfläche eingesetzt und frei bewegt werden, selbst bei einem großen Werkstück (Abb. A). Achten Sie vor dem Schnitt darauf, dass das Gerät sicher in Position ist. Ein auf der Werkbank eingeklemmtes Stück Holz, kann hier als Anschlag dienen und ein Verrutschen des Gerätes auf beiden Achsen verhindern.
- Für einige andere Schnitte kann der Anschlag einen Schnitt verhindern und sollte dementsprechend entfernt werden (Abb. G).

Andere Holzverbindungen

Hinweis: Die Vielseitigkeit dieses Gerätes geht weit über das heraus, was in dieser Bedienungsanleitung erläutert wird und diese sollte nur als Einführung in die Eigenschaften des Gerätes zu verstehen sein.

Zubehör

Eine breite Auswahl an Zubehör und Verbrauchsmaterial, sind von Ihrem Triton-Fachhändler erhältlich. Ersatzteile können Sie hier ebenfalls erhalten oder unter www.toolsparsonline.com bestellen.

Instandhaltung

⚠️ WARNUNG! Trennen Sie das Gerät stets vom Stromnetz, bevor Sie Wartungs- oder Reinigungsarbeiten durchführen.

- Kontrollieren Sie das Netzkabel des Gerätes vor jedem Gebrauch auf Schäden und Verschleiß. Reparaturen müssen durch eine zugelassene Triton-Reparaturwerkstatt erfolgen. Dies gilt auch für mit dem Gerät verwendete Verlängerungskabel.

Allgemeine Überprüfung

- Überprüfen Sie alle Befestigungsschrauben in regelmäßigen Abständen auf festen Sitz, da sie sich mit der Zeit durch Vibration lockern können.

Schmierung

- Schmieren Sie alle beweglichen Teile in regelmäßigen Abständen leicht mit einem geeigneten Sprühschmiermittel.

Sägeblatt auswechseln

⚠️ WARNUNG! Tragen Sie STETS Schutzhandschuhe wenn Sie Sägeblätter anfassen.

WICHTIG! Verwenden Sie KEINE beschädigten, stark verschlissenen oder unscharfe Sägeblätter.

WICHTIG! Die Nenndrehzahl des Sägeblattes muss mit der Leerlaufdrehzahl des Gerätes übereinstimmen oder diese übertreffen. Beziehen Sie sich hierbei auf die oben angeführten Technischen Daten.

- Drehen Sie das Gerät auf seine Rückseite, mit der Grundplatte (12) des Gerätes nach oben zeigend.
- Lösen Sie den Sägeblattzuggriffknopf (21) bis die Fräserabdeckung (31) angehoben werden kann. Achten Sie darauf, dass der Anschlag (30) von der Grundplatte entfernt steht.
- Drücken Sie die Spindelarretierung (2) und verwenden Sie den mitgelieferten Stiftschlüssel um den Sägeblatt-Gewindeflansch (33) entfernen zu können.
- Entfernen Sie das Sägeblatt (32).
- Führen Sie ein neues Sägeblatt von gleichem Typ und Abmessungen ein (Siehe technische Daten).

⚠️ WARNUNG! Achten Sie beim Einsetzen STETS auf die Richtung der Rotation des Sägeblattes, wie auch von den Richtungsanzeigen (35 u. 3)

- Montieren Sie den Sägeblatt-Gewindeflansch, drücken Sie die Spindelarretierung und ziehen den Sägeblatt-Gewindeflansch mit dem Stiftschlüssel wieder an.
- Geben Sie die Spindelarretierung wieder frei, senken Sie die Fräserabdeckung und ziehen die Sägeblattzuggriffknöpfe wieder an.

Reinigung

⚠️ WARNUNG! Tragen Sie während der Reinigung dieses Gerätes stets Schutzausrüstung einschließlich Schutzbrille und Schutzhandschuhe.

- Halten Sie Ihr Gerät stets sauber. Durch Staub und Schmutz verschleien die inneren Teile schnell und die Lebensdauer des Gerätes wird verkürzt.
- Säubern Sie das Gerätegehäuse mit einer weichen Bürste oder einem trockenen Tuch.
- Reinigen Sie Kunststoffteile niemals mit Ätzmitteln. Falls eine Trockenreinigung nicht ausreichend ist, sollte ein mildes Reinigungsmittel auf einem feuchten Lappen verwendet werden.
- Das Gerät darf niemals mit Wasser in Berührung kommen.
- Vergewissern Sie sich vor dem erneuten Gebrauch, dass das Gerät wieder vollkommen trocken ist.
- Die Entlüftungsöffnungen gegebenenfalls mit sauberer, trockener Druckluft reinigen, sofern verfügbar.

Kohlebürsten

- Mit der Zeit unterliegen die Kohlebürsten des Motors dem Verschleiß.
- Wenn der Verschleiß der Bürsten fortgeschritten ist, kann dadurch die Motorleistung abnehmen, die Maschine kurzzeitig ausfallen oder es kann zu sichtbarer Funkenbildung kommen.

Auswechseln der Kohlebürsten;

1. Entfernen Sie die Haltegriffschrauben (20) die den Hauptgriff (18) am Gerätegehäuse sichern.
 2. Entfernen Sie die beiden Seiten vorsichtig, achten Sie darauf keine Kabel zu ziehen oder zu beschädigen.
 3. Verwenden Sie einen Schraubendreher um die kleine Kerbe an der Vorderseite vorsichtig einzudrücken (durch den unteren Pfeil angezeigt (Abb.I)).
 4. Drücken Sie nun vorsichtig die andere Seite der Kohlebürstensockel wie mit dem oberen Pfeil in Abbildung I angezeigt wird und entfernen Sie die Kohlebürste aus dem Gehäuse.
 5. Entfernen Sie beide abgenutzte Kohlebürsten und ersetzen diese mit neuen (Abb. J) und achten Sie darauf, dass die kleinen Vorsprünge an der Innenseite des Werkzeugs mit den neuen Kohlebürsten exakt ausgerichtet sind (Abb.K).
 6. Bringen Sie das Gehäuse vorsichtig an, setzen Sie die Haltegriffschrauben ein und ziehen Sie diese fest an.
- Als Alternative lassen Sie das Gerät durch eine zugelassenen Triton-Kundenservice warten.

Hinweis: Wechseln Sie Kohlbürsten STETS nur paarweise aus.

Entsorgung

Beachten Sie bei der Entsorgung von defekten und nicht mehr reparablen Elektrowerkzeugen die geltenden Vorschriften und Gesetze.

- Elektrowerkzeuge und andere elektrische und elektronische Altgeräte nicht über den Hausmüll entsorgen.
- Lassen Sie sich von der zuständigen Behörde bezüglich der ordnungsgemäßen Entsorgung von Elektrowerkzeugen beraten.

Garantie

Zur Anmeldung Ihrer Garantie besuchen Sie bitte unsere Website www.tritontools.com* und tragen dort Ihre persönlichen Daten ein.

Kaufinformation

Kaufdatum: ___ / ___ / ___

Modell: TBJ001 Bewahren Sie bitte Ihren Beleg als Kaufnachweis auf.

Triton garantiert dem Käufer dieses Produkts, dass Triton, wenn sich Teile dieses Produkts innerhalb von 3 Jahren ab Originalkaufdatum infolge fehlerhafter Materialien oder Arbeitsausführung als defekt erweisen, das mangelhafte Teil nach eigenem Ermessen entweder kostenlos reparieren oder ersetzen wird.

Diese Garantie gilt nicht für kommerzielle Verwendung und erstreckt sich nicht auf normalen Verschleiß oder Schäden infolge von Unfall, Missbrauch oder unsachgemäßer Verwendung.

*Bitte registrieren Ihren Artikel innerhalb von 30 Tagen nach dem Kauf online.

Es gelten die allgemeinen Geschäftsbedingungen.

Ihre gesetzlich festgelegten Rechte werden dadurch nicht eingeschränkt.

DE

Traduzione delle istruzioni originali

Introduzione

Grazie per aver acquistato questo strumento Triton. Si prega di leggere le istruzioni: contengono le informazioni necessarie per funzionamento sicuro ed efficace di questo prodotto. Questo prodotto ha una serie di caratteristiche uniche e, anche se si è familiarità con prodotti simili, la lettura delle istruzioni vi aiuterà a ottenere il beneficio completo del suo design unico. Mantenere queste istruzioni a portata di mano e di garantire a tutti gli utenti di questo strumento hanno letto e compreso appieno.

Descrizione dei simboli

La targhetta sul vostro strumento può mostrare simboli. Questi rappresentano importanti informazioni sul prodotto o istruzioni sul suo utilizzo.



Usare la protezione acustica
Indossare occhiali protettivi
Indossare protezione respiratoria
Indossare il casco



Indossare la protezione delle mani



Leggere il manuale di istruzioni



Attenzione: lame affilate e denti!



NON utilizzare in caso di pioggia o di ambienti umidi!



Scollegare sempre dalla rete elettrica durante la regolazione, il cambio degli accessori, la pulizia, prima di eseguire la manutenzione e quando non è in uso!



Aspirazione polveri richiesto o consigliato



ATTENZIONE: Parti in movimento possono provocare lesioni da schiacciamento e taglio



Attenzione!



Costruzione di Classe II (doppio isolamento per la protezione supplementare)



Protezione Ambientale
Gli apparecchi elettrici non devono essere smaltiti insieme ai rifiuti domestici. Riciclare dove esistono impianti. Verificare con le autorità locali o con il vostro rivenditore per un consiglio sul riciclaggio.



Conforme alla normativa di sicurezza e alle norme standard

Abbreviazioni tecnici

V	volt
~, AC	Corrente alternata
A, mA	Ampere, milli-Amp
n0	Velocità a vuoto
n	velocità nominale
°	Gradi
Ø	Diametro

Hz	Hertz
~, DC	Corrente continua
W, kW	Watt, kilowatt
/min or min⁻¹	Operazioni per minuto
dB(A)	Livello sonoro decibel (A ponderato)
m/s²	Metri al secondo quadrato (grandezza della vibrazione)

Specifiche

No di modello:	TBJ001
Tensione:	230V - 50Hz
Alimentazione:	760W
Velocità a vuoto:	11,600min ⁻¹
Campo di angolazione guida:	0 - 90 °
Profondità massima di taglio:	18 mm
Diametro lama:	Ø100 mm
Lama:	Ø100 x Ø22 x 3,92 mm x 6T
Bore:	Ø22mm
Regolazione in altezza:	0 - 40 mm
Protezione d'ingresso:	IP20
Grado di protezione	
Lunghezza del cavo di alimentazione:	3 m
Dimensioni (L x P x A):	460 x 138 x 145 mm
Peso:	2.65 kg
Come parte del nostro continuo sviluppo del prodotto, le specifiche dei prodotti Triton possono modificare senza preavviso.	
Informazioni sul suono e sulle vibrazioni:	
Pressione sonora L_{eq}:	92dB (A)
Potenza sonora L_{wa}:	103dB (A)
Tolleranza K:	3dB
Vibrazione ponderata:	3.27m / s ²
Tolleranza :	1.5m / s ²
Il livello di intensità del suono per l'operatore può superare 85 dB (A) e le misure di protezione del suono sono necessarie.	

ATTENZIONE: Indossare sempre protezioni per le orecchie, dove il livello sonoro supera i 85 dB (A) e limitare il tempo di esposizione, se necessario. Se i livelli sonori sono scomodi, anche con la protezione per le orecchie, smettere di usare lo strumento immediatamente e controllare la protezione acustica sia montata correttamente e fornisce il corretto livello di isolamento acustico per il livello del suono prodotto dal vostro strumento.

ATTENZIONE: l'esposizione dell'utente alle vibrazioni dello strumento può causare la perdita del senso del tatto, intorpidimento, formicolio e riduzione della capacità di presa. Esposizione a lungo termine può portare ad una condizione cronica. Se necessario, limitare la lunghezza del tempo esposti a vibrazioni e utilizzare guanti anti-vibrazione. Non utilizzare lo strumento con le mani sotto ad una temperatura normale ammba, siccome le vibrazioni avranno un effetto maggiore. Utilizzare i dati forniti nella specifica relativa alle vibrazioni per calcolare la durata e la frequenza di funzionamento dello strumento.

I livelli sonori e vibrazioni nella specifica sono determinate a secondo EN60745 o simili standard internazionali. Le figure rappresentano un normale utilizzo per lo strumento in normali condizioni di lavoro. Uno strumento a mal tenuta, montata in modo errato, o usato in modo improprio, possono produrre un aumento dei livelli di rumore e vibrazioni.

www.osha.europa.eu fornisce informazioni sui livelli sonori e vibrazioni nei luoghi di lavoro che possono essere utili per gli utenti domestici che utilizzano strumenti per lunghi periodi di tempo.

Norme generali di sicurezza

AVVERTENZA: Leggere ed assimilare tutte le istruzioni. La non osservanza delle seguenti istruzioni può causare scosse elettriche, incendi e/o lesioni gravi.

ATTENZIONE: Questo apparecchio non è destinato all'uso da parte di persone (inclusi i bambini) con capacità ridotta, fisiche o mentali o con mancanza di esperienza o di conoscenza, a meno che non siano controllati o istruiti all'uso dell'apparecchio da una persona responsabile della loro sicurezza. I bambini devono essere sorvegliati per assicurarsi che non giochino con l'apparecchio.

Conservare tutte le avvertenze di pericolo e le istruzioni operative per ogni esigenza futura.

Il termine "elettroutensile" si riferisce all'utensile a rete fissa (con filo) o un utensile a batteria (senza filo).

1. Area di lavoro.

a. **Mantenere l'area di lavoro pulita e adeguatamente illuminata.** Il disordine e le zone di lavoro possono essere fonte di incidenti.

b. **Non usare gli elettroutensili in presenza di atmosfere esplosive, come liquidi, gas e polveri infiammabili.** Gli elettroutensili producono scintille che potrebbero accendere le polveri o i fumi.

c. **Tenere altre persone e i bambini a distanza di sicurezza durante l'impiego dell'utensile elettrico.** Eventuali distrazioni potrebbero far perdere il controllo dell'utensile all'operatore.

2. Sicurezza elettrica

a. **Le spine degli elettroutensili devono essere compatibili con le prese di corrente. Non modificare in alcun modo la spina dell'elettroutensile. Non usare adattatori con gli elettroutensili dotati di collegamento di messa a terra.** L'uso delle spine originali non modificate e delle prese corrispondenti ridurrà il rischio di scosse elettriche.

b. **Evitare il contatto del corpo con le superfici collegate a massa come i tubi, i radiatori, le cucine e i frigoriferi.** Se il corpo dell'operatore è collegato alla terra o alla massa il rischio di scosse elettriche è maggiore.

c. **Non esporre gli elettroutensili alla pioggia e non lasciarli in ambienti umidi o bagnati.** L'ingresso dell'acqua in una macchina utensile aumenta il rischio di scosse elettriche.

d. **Non usare il cavo in modo improprio. Non afferrare mai il cavo per trasportare, tirare o staccare l'elettroutensile dalla presa di corrente. Tenere il cavo lontano da fonti di calore, olio, e sostanze affini, bordi appuntiti o parti in movimento. I cavi danneggiati o attorcigliati aumentano il rischio di scosse elettriche.**

e. **Qualora si voglia usare l'utensile all'aperto, usare cavi di prolunga compatibili con l'uso in ambienti esterni.** Un cavo idoneo all'uso in ambienti esterni riduce il rischio di scosse elettriche.

f. **Se l'utilizzo di un elettroutensile in ambiente umido è inevitabile, utilizzare una fonte di alimentazione protetta da un dispositivo differenziale.** L'uso di un dispositivo differenziale riduce notevolmente il rischio di scosse elettriche.

g. **Se utilizzato in Australia o in Nuova Zelanda, si raccomanda che questo strumento viene sempre fornito con dispositivo di corrente residua (RCD) con una corrente differenziale nominale di 30 mA o meno.**

3. Sicurezza personale

a. **Quando si usa un elettroutensile lavorare sempre con la massima attenzione e concentrazione, lasciandosi guidare dal buon senso. Non usare mai un elettroutensile quando si è stanchi o sotto l'effetto di medicinali e/o sostanze alcoliche o stupefacenti.** Quando si usa un elettroutensile un attimo di distrazione è sufficiente a causare gravi lesioni alle persone.

b. **Usare dispositivi per la protezione personale. Indossare sempre protezioni per gli occhi.** I dispositivi per la sicurezza personale, come le mascherine antipolvere, le calzature di sicurezza antiscivolo, il casco e la cuffia, se usati in maniera appropriata, riducono i rischi di lesioni alle persone.

c. **Evitare l'avviamento accidentale. Garantire che l'interruttore è in posizione arresto (OFF) prima di attaccare la presa e/o batteria, prendere in mano o trasportare l'utensile. Trasportare gli elettroutensili con il dito al di sopra dell'interruttore o attaccando l'elettroutensile con l'interruttore acceso, aumenta il rischio di incidenti.**

d. **Rimuovere tutte le chiavi di regolazione e le chiavi inglesi prima di accendere**

l'elettroutensile. Una chiave inglese o una chiave di regolazione collegata a una parte in movimento dell'elettroutensile potrebbe causare lesioni alle persone.

e. **Non andare oltre l'altezza consentita. In qualsiasi momento mantenere i piedi poggiati su superfici solide e un punto di appoggio sicuro.** Un buon equilibrio consente di avere il massimo controllo sull'elettroutensile nelle situazioni inaspettate.

f. **Vestirsi con abbigliamento adeguato. Non indossare abiti larghi o gioielli. Tenere i capelli, vestiti e guanti lontano da parti in movimento.** Vestiti lenti, gioielli o capelli lunghi possono impigliarsi nelle parti in movimento.

g. **Se il dispositivo utilizzato è dotato di una bocchetta per l'aspirazione della polvere accertarsi che sia collegata e utilizzato correttamente.** L'uso di tali dispositivi riduce i rischi correlati alle polveri.

4. Maneggio ed impiego accurato di utensili elettrici

a. **Non forzare l'elettroutensile. Usare sempre l'elettroutensile corretto per il lavoro da eseguire.** L'elettroutensile corretto sarà in grado di svolgere il lavoro in modo più efficiente e sicuro nell'ambito della gamma di potenza indicata.

b. **Non usare l'elettroutensile se l'interruttore di accensione non si accende e si spegne.** Gli elettroutensili con un interruttore di accensione difettoso sono pericolosi e devono essere riparati immediatamente.

c. **Staccare la spina dalla presa di corrente prima di effettuare qualsiasi regolazione, sostituire gli accessori o riporre gli attrezzi a motore.** Queste misure di sicurezza preventive riducono il rischio di avvio involontario.

d. **Conservare l'elettroutensile fuori dalla portata dei bambini e non lasciare che venga utilizzato da persone non adeguatamente addestrate e competenti nell'uso degli elettroutensili o che non abbiano letto questo manuale di istruzioni.** Gli elettroutensili diventano estremamente pericolosi nelle mani di persone non addestrate.

e. **Mantenere gli elettroutensili. Controllare per disallineamento o la legatura delle parti in movimento, la rottura di parti e altre condizioni che possono influire il funzionamento dell'apparecchio.** In caso di manutenzione, fare riparare prima dell'uso. Molti incidenti sono causati da una scarsa manutenzione dell'utensile.

f. **Mantenere le lame pulite e affilate.** Gli utensili da taglio tenuti in buone condizioni operative e con i bordi taglienti affilati sono meno soggetti a bloccarsi e più facili da controllare.

g. **Utilizzare l'elettroutensile e tutti i componenti e gli accessori in conformità con le istruzioni di questo manuale e nella maniera prevista per ciascun tipo di utensile, tenendo conto delle condizioni lavorative e del compito da eseguire.** L'utilizzo degli elettroutensili per fini diversi da quelli previsti rappresenta un rischio per le persone.

5. Servizio

a) **Portare l'utensile da personale qualificato di riparazione per la manutenzione utilizzando esclusivamente pezzi di ricambio originali.** Questo farà sì che la sicurezza dello strumento di potere è mantenuto.

Sicurezza durante l'uso della fresatrice a tasselli



ATTENZIONE!

- **Fresatrice di tassellatura, vanno usati alla velocità più bassa indicata sull'attrezzo.** Il cutter e le lame che operano a una velocità superiore rispetto a quella indicata si potrebbero staccare causando lesioni.

- **Usare sempre la guardia di protezione.** Questi elementi proteggono l'operatore da frammenti rotti ed un contatto non intenzionale con la lama.

- **Tenere il dispositivo unicamente per le superfici di impugnatura isolate, in cui lo strumento di taglio potrebbe entrare in contatto col cavo di alimentazione.** Il contatto con un cavo "sotto tensione" trasmette la tensione anche alle parti metalliche esposte dell'attrezzo, e potrebbe dunque trasmettere una scossa elettrica all'operatore

- **Non consentire alle persone di età inferiore ai 18 anni di utilizzare questo accessorio.** Verificare che gli operatori abbiano familiarità con queste istruzioni di funzionamento e di sicurezza.

- **Qualora sia necessario provvedere alla sostituzione del cavo di alimentazione, sarà opportuno rivolgersi al produttore o al suo agente al fine di evitare pericoli a livello di sicurezza.**

- **Consigliamo caldamente di alimentare sempre il dispositivo tramite un dispositivo di corrente residua con una corrente residua nominale pari o inferiore a 30 mA.**

ATTENZIONE: Non usare lame smussate o danneggiate.

ATTENZIONE: Verificare il corretto funzionamento del sistema di protezione a scomparsa prima dell'uso.



Indossare una protezione respiratoria adeguata: L'uso di questo strumento può generare sostanze chimiche che contengono polveri; è risaputo che queste ultime possono causare tumore, difetti alla nascita o altri disturbi sul piano riproduttivo. Alcuni tipi di legno contengono conservanti quali ad esempio arsenato di rame e cromo (CCA), che possono essere tossici. In fase di levigatura, trapanatura o taglio di questi materiali consigliamo sempre di prestare estrema attenzione per evitare l'inalazione e limitare al massimo il contatto con la pelle.

a) **Avvolgicavo a prolunga utilizzati con questo strumento devono essere completamente srotolati.** Sezione minima dei conduttori: 1.0mm²

b) **Quando si utilizza questo strumento all'aperto, la connessione a un alimentatore di un dispositivo RCD e cavo di estensione minima 1.5 mm² con prese d'acqua protetto in buone condizioni**

- c) Assicurarsi che la fresa o la lama sia montata saldamente prima dell'uso. *Frese insicure o lame possono essere espulse dalla macchina causando un pericolo*
- d) Attendere sempre che lo strumento è giunto ad un arresto completo prima di metterlo giù
- e) Quando si usa il trapano, utilizzare attrezzature di sicurezza tra cui occhiali di sicurezza o schermo, cuffie antirumore, e indumenti di protezione e guanti di sicurezza. *Indossare una maschera antipolvere se l'operazione di foratura crea polvere*
- f) Assicurarsi che l'illuminazione sia adeguata
- g) Assicurarsi che la fresa o una lama non sia in contatto con il pezzo prima di avviare lo strumento
- h) Usare entrambe le mani quando si utilizza questo strumento
- i) Montare sempre le maniglie ausiliarie fornite con lo strumento a meno che le istruzioni dichiarano espressamente un'eccezione per determinati compiti
- j) Non mettere sotto pressione lo strumento; ciò possa ridurre la sua durata
- k) Taglierine e lame possono surriscaldarsi durante il funzionamento, lasciar raffreddare prima di maneggiarle
- l) Non usare mai le mani per rimuovere segatura, trucioli o rifiuti vicino al taglio o alla lama
- m) Se si viene interrotti quando si utilizza lo strumento, completare il lavoro e spegnere prima di guardare in alto
- n) Se possibile, utilizzare pinze o morse per bloccare il vostro lavoro in posizione
- o) Scollegare sempre lo strumento dalla rete elettrica prima di cambiare una punta
- p) Esaminare la fresa o la lama di montaggio regolarmente per segni di usura o danneggiamento. *Riparate le parti danneggiate presso un centro di assistenza qualificato*
- q) Al termine dei lavori, scollegare lo strumento dalla sorgente di alimentazione
- r) Controllare periodicamente tutti i dadi, bulloni e altri elementi di fissaggio e stringere se necessario

Sicurezza durante l'uso di strumenti da taglio

AVVERTENZA. Prima di collegare un dispositivo a una sorgente di alimentazione (presa di corrente, presa, ecc.) verificare che la tensione corrisponda a quella indicata sulla targhetta del dispositivo. L'uso di una sorgente di alimentazione con tensione superiore a quella indicata per il dispositivo stesso può causare gravi lesioni all'utente oltre che danni al dispositivo stesso. In caso di dubbi, non collegare il dispositivo. L'uso di una sorgente di alimentazione con tensione inferiore a quella indicata sulla targhetta è dannoso per il motore.

Utilizzare lo strumento da taglio corretto

-Assicurarsi che l'utensile da taglio è adatto per il lavoro. Non date per scontato che lo strumento sia adatto senza controllare la documentazione del prodotto prima dell'uso.

Protezioni occhi

-Indossare sempre una protezione adeguata per gli occhi quando si utilizzano utensili da taglio
-Occhiali di tutti i giorni non sono progettati per offrire alcuna protezione quando si utilizza questo prodotto; lenti normali non sono resistenti agli urti e potrebbero frantumarsi

Protezione dell'udito

-Indossare sempre un'adeguata protezione dell'udito quando il rumore dell'utensile supera i 85 dB.

Protezione respiratorie

-Assicurarsi che voi stessi ed altri intorno a te, indossino mascherine antipolvere adatte

Essere consapevoli di altri intorno a te

-È la responsabilità dell'utente assicurarsi che altre persone in prossimità dell'area di lavoro non sono esposti a rumori pericolosi o polvere e sono inoltre dotati di idonei dispositivi di protezione

Oggetti nascosti

- Controllare il pezzo e rimuovere tutti i chiodi ed altri oggetti incorporati prima del taglio
- Non tentare di tagliare il materiale che contiene gli oggetti incorporati a meno che non si sa che l'utensile da taglio montato alla vostra macchina è adatta per il lavoro
- Pareti possono nascondere cavi e tubazioni, pannelli della carrozzeria di automobili può celare tubazioni del carburante, e l'erba alta possono nascondere pietre e vetro. Controllare sempre l'area di lavoro a fondo prima di procedere

Attenzione ai rifiuti proiettati

-In alcune situazioni, i rifiuti possono essere proiettati a velocità da taglio. Assicurarsi che non ci siano altre persone all'interno dell'area di lavoro. Se è necessario avere altre persone nelle vicinanze, è responsabilità dell'utente assicurarsi che essi sono dotati con attrezzatura di protezione corrette.

Montaggio di utensili da taglio

-Garantire che utensili da taglio siano correttamente e saldamente fissati e verificare che chiavi / regolatori sono stati rimossi prima dell'uso

-Utilizzare solo utensili da taglio consigliati per la vostra macchina

-Non tentare di modificare gli utensili da taglio

Direzione di avanzamento

-Sempre alimentare il lavoro nella lama o fresa contro la direzione del movimento della lama o fresa.

Attenzione al calore

-Essere consapevoli del fatto che gli utensili e pezzi di lavoro possono surriscaldarsi in uso. Non cercare di cambiare gli strumenti fino a quando non è stato consentito un raffreddamento completo

Controllo delle polveri / trucioli

-Non permettere a polvere o trucioli di accumularsi. Segatura è un pericolo di incendio, ed alcuni trucioli di metallo sono esplosivi

-Prestare particolare attenzione con macchine usate per tagliare legno e metallo. Scintille da taglio dei metalli sono una causa comune di incendi dalla polvere di legno

-Dove possibile, utilizzare un sistema di aspirazione polvere per garantire un ambiente di lavoro più sicuro

Familiarizzazione del prodotto

1. Maniglia ausiliaria
2. Pulsante di blocco mandrino
3. Indicatore di direzione
4. Blocco angolazione
5. Indicatore central della faccia
6. Indicatore bordi da guida (S)
7. Indicatore centrale della guida
8. Indicatore bordi da guida (D)
9. Base anti-scivolo
10. Indicatore di profondità
11. Arresto torretta
12. Base
13. Blocco profondità
14. Dado di bloccaggio profondità
15. Presa anti-polvere
16. Ventola del motore
17. Interruttore a grilletto On/Off
18. Maniglia principale
19. Faccia
20. Viti della maniglia (x 4)
21. Pomello di accesso lama
22. Bullone della maniglia ausiliaria (x 2)
23. Click Stop (0°, 45° & 90°)
24. Scala angolazione
25. Indicatore angolazione
26. Indicatore central della lama
27. Scala di altezza guida
28. Foro per lama
29. Pomello di bloccaggio guida
30. Guida
31. Coperchio per base
32. Lama da taglio
33. Flangia filettata della lama
34. Lama con punta dentata
35. Indicatore di direzione

Accessori (non illustrate): perno di serraggio, sacchetto di polvere, chiave esagonale a custodia

Destinazione d'uso

Strumento di potere alimentato a rete con una piccola lama circolare che taglia i fori nel legno per creare articolazioni idonee per l'inserimento di varie dimensioni di biscotti in legno.

Disimballaggio dello strumento

- Disimballare con cura e controllare il vostro strumento. Acquisire familiarità con tutte le sue caratteristiche e funzioni
- Assicurarsi che tutte le parti dello strumento sono presenti e in buone condizioni. In caso di parti mancanti o danneggiate, avere tali pezzi sostituiti prima di tentare di utilizzare questo strumento

Prima dell'uso

ATTENZIONE: Scollegare sempre questo strumento dalla rete di alimentazione prima di collegare o rimuovere accessori, o eseguire qualsiasi regolazione.

IMPORTANTE: Assicurarsi che la lama sia montata correttamente prima del primo utilizzo. Vedere 'Sostituzione della lama della sega'

Impugnatura supplementare

- Montare l'impugnatura supplementare (1) utilizzando i bulloni d'impugnatura supplementare in dotazione (22) e le guarnizioni
- L'impugnatura supplementare si monta in una posizione fissa, con sporgenze che si infilano in entrambi i lati dell'attrezzo, e l'angolazione dell'impugnatura non può essere regolata

Estrazione polvere

- Questo strumento deve essere collegato ad un sistema di aspirazione professionale o aspirapolvere tramite la presa anti-polvere (15)
- Se entrambi sono disponibili, il sacchetto in dotazione deve essere montato, spingendolo sulla presa.

NB: Se si utilizza il sacchetto di polvere, rimuovere e pulire regolarmente. Idealmente, svuotare quando è mezzo pieno.

Regolazione della profondità di taglio

Lo strumento dispone di una torretta di arresto (11) con 6 posizioni di profondità (0, 10, 20, S, D & Max) e supporta una vasta gamma di tasselli di biscotti o piastre. Vedere la Guida Biscotto di seguito.

Biscuit guide

Posizione Marcatura	Biscotti	Larghezza	Lunghezza	Spessore	Profondità di taglio
0	#0	15-16 mm (5/8")	44-47 mm (1-13/16")	4 mm (19/128")	8 mm (5/16")
10	#10	19 mm (13/16")	53-54 mm (2-1/16")	4 mm (19/128")	10 mm (3/8")
20	#20	25 mm (15/16")	56-60 mm (2-5/16")	4 mm (19/128")	12.5 mm (1/2")
S	#20	25 mm (15/16")	56-60 mm (2-5/16")	4 mm (19/128")	13 mm (1/2")
D	S6	30 mm (1-1/8")	85 mm (3-3/8")	4 mm (19/128")	14.7-15 mm (19/32")
MAX	N/A	Massima profondità di taglio rettificato dell'arresto a torretta (18mm (23/32") max)			
NON COMPATIBILE	#H9	12 mmç	38 mm	3 mm	6-7 mm (1/4")
NON COMPATIBILE	Triton 7 (BJA050/BJA056)				

- Le misure sono indicative

Regolazione dell'altezza di taglio

NB: La scanalatura per il biscotto è normalmente al centro dello spigolo del pezzo così l'altezza di taglio deve essere adeguata alla metà dello spessore del materiale.

- L'altezza di taglio con la guida montata (30) può essere regolata da 0 - 40 mm.
1. Rilasciare il pomello di bloccaggio guida (29)
 2. Posizionare la guida all'altezza desiderata utilizzando la scala di altezza guida (27)
 3. Serrare il pomello di bloccaggio guida per bloccare all'altezza desiderata

Impostare l'angolo della guida

La guida (30) ha il 90° di regolazione dell'angolo, con click-stop per l'impostazione rapida e semplice di 0°, 45° e 90° per tagli angolati (Figura C).

Per impostare l'angolo desiderato:

1. Rilasciare il blocco d'arresto angolo (4) tirandolo via dalla faccia (19)
2. Regolare la faccia all'angolo desiderato utilizzando la scala (24) e indicatore (25)
3. Serrare il blocco d'arresto angolo in modo che la guida è garantita con l'angolazione desiderata

NB: Controllare che la guida sia bloccata in posizione prima del taglio; in caso contrario si potrebbero causare danni al pezzo o alla macchina se si muove durante l'uso

NB: L'angolo della scala è solo approssimativa; utilizzare strumenti di misura angolare supplementare se necessario, per controllare l'angolo della guida

Operazione

IMPORTANTE: Si consiglia di usare due mani, se possibile quando si utilizza lo strumento. Tenere la maniglia principale (18) della fresatrice in una mano, con un dito appoggiato comodamente sul grilletto ON/OFF (17) e con l'altra mano tenere la maniglia ausiliaria (1) così lo strumento viene tenuto in modo sicuro.

IMPORTANTE: Controllare il meccanismo di protezione funziona senza intoppi e in modo corretto prima dell'uso effettivo.

Accensione e spegnimento

- Per avviare lo strumento premere l'interruttore ON/OFF (17)
- Rilasciare l'interruttore ON/OFF per spegnere

Note:

- Al fine di tagliare fori per un biscotto nel pezzo in lavorazione, come richiesto, prima impostare lo strumento secondo le istruzioni "Prima dell'uso" (in alto), e preparare il pezzo (I) marcando a matita nei punti di taglio desiderati (Fig. II)

Si consiglia di calibrare lo strumento utilizzando il formato di biscotto che principalmente utilizzerete. Una dimensione tipica biscotto è # 10.

1. Selezionare la posizione '10' ruotando l'arresto a torretta (11) fino a che il '10' è indicato dal indicatore della profondità (10)
2. Spingere in avanti la maniglia ausiliaria (1) fino alla profondità della tappa (13) è a contatto con il riscontro rotativo (Figura B) e misurare la lunghezza della lama esposta sporge dal foro della lama (28). Assicurare una lama a punta dentata (34) è alla massima distanza dalla fessura ruotando la lama (32) per cui una punta della lama è nel mezzo poi misurare da questa punta alla superficie della scanalatura lama
3. La misura dovrebbe essere 10 mm per # 10, come indicato nella tabella sottostante. Se diverso allentare il dado di bloccaggio profondità (14) e regolare l'arresto di profondità per ridurre o estendere la sua lunghezza alla profondità della lama 10 mm richiesta
4. Una volta impostato correttamente serrare il dado di bloccaggio profondità

ATTENZIONE: la mancata regolare correttamente la profondità di taglio può causare danni al pezzo.

NB: Le altre posizioni di profondità sulla torretta di arresto verrà impostata correttamente con la più accurata essendo la posizione utilizzata per la calibrazione.

NB: Fare sempre un processo tagliato su materiale di scarto per confermare le impostazioni.

- Lo strumento dispone di più indicatori di ausilio nel posizionamento dello strumento contro il pezzo. Il centro indicatore (5) e indicatore della lama centrale (7) indicano il centro della lama. Due indicatori per bordi biscotto (6 e 8) indicano il bordo per i biscotti più grandi non i bordi esterni della lama, questo è indicato più indietro sulla guida. Un indicatore lama centrale (26) sul lato della base indica la posizione in altezza della lama allo spessore della lama di 4mm standard

- È importante che i pezzi vengono accuratamente marcati. Può essere più facile da montare liberamente i due pezzi insieme esattamente nella posizione desiderata e segnare con una matita su entrambi i pezzi, e poi tagliare i fori. Assemblare il tutto di nuovo, con il primo biscotto montato, prima di marcare nuovamente dove sono richiesti biscotti successivi. Idealmente una posizione centrale nel legno è preferibile per il primo foro

- C'è una tolleranza quando si unisce il legno con biscotti siccome i fori possono essere estesi, se necessario, ma è meglio lavorare con precisione e misurare spesso

- Tasselli possono essere collocati in una vasta gamma di posizioni quando si unisce pezzi di legno (Fig. I) e, se necessario, dove sono necessari biscotti su più facce su fessure più ampie (Fig. III) può essere utilizzato per consentire a un pezzo di connettersi su più lati più facilmente

- Il pezzo dovrà essere fissato al banco di lavoro, anche se è possibile l'impiego di un tappetino antiscivolo tra il pezzo e la superficie del banco di lavoro sarà sufficiente in alcuni casi

1. Selezionare il formato corretto del biscotto su l'arresto a torretta (11)
2. Tenere il corpo della macchina con una mano in modo che un dito poggia sull'interruttore ON/OFF (17)
3. Allineare con cura le marcature con i segni a matita sul pezzo e posizionare lo strumento pronto per tagliare i fori
4. Posizionare la macchina contro il pezzo in modo che la faccia (19) e la parte inferiore della barriera (30) sono completamente a contatto con il pezzo
5. Premere sulla parte anteriore del recinto con le dita dell'altra mano per tenere lo strumento in posizione, e verificare che non ci siano spazi sotto la parete o sul fondo della guida

NB: Può essere necessario fissare l'attrezzo applicando pressione sulla guida fissa (30) (Figura H) piuttosto che mantenere la maniglia ausiliaria (1) per garantire che l'intensità rimane nella stessa posizione sul legno.

NB: Può anche essere necessario applicare pressione se si utilizza un tappetino antiscivolo per fissare il pezzo, che richiede più pressione al ribasso sul pezzo. Farlo solo se hai dimestichezza tenendo lo strumento con una sola mano sul corpo principale. Idealmente entrambe le mani dovrebbero essere utilizzati per contenere lo strumento durante il funzionamento con il pezzo saldamente fissata alla superficie di lavoro per la massima sicurezza.

6. Premere il grilletto On/Off (17), permettere alla lama di raggiungere velocità normale e spingere il corpo della macchina in avanti in modo che la lama (32) penetra nel pezzo (Figura H)

IT

7. Premere il corpo della macchina in avanti fino in fondo, fino arrestato dall'arresto di profondità (13) sul riscontro rotativo (11) per creare il connettore desiderato nel pezzo
8. Pur mantenendo lo strumento alimentato, permettono il corpo dello strumento di ritornare alla sua posizione originale, rimuovendo la lama dal pezzo. Tenere lo strumento con entrambe le mani, mentre eseguendo questa fase
9. Una volta che la lama esce dal pezzo, rilasciare l'interruttore On / Off

NB: La molla di ritorno farà sì che il corpo si muove automaticamente in posizione di riposo, ritirando la lama dal pezzo, pur applicando una certa pressione alla faccia e guida fissa. L'operatore deve controllare accuratamente l'uscita della lama, avendo cura di mantenere l'utensile esattamente nella stessa posizione rispetto alla fessura di taglio

10. Una volta che la lama è libera dal pezzo e ha smesso di ruotare, sollevare lo strumento dal pezzo

NB: Si consiglia di fare pratica utilizzando lo strumento su pezzi di scarto di legno prima in modo da poter comprendere appieno come funziona.

NB: Fare sempre un montaggio asciutto dei pezzi di legno con biscotti prima di applicare la colla di legno per l'assemblaggio finale siccome la colla attiverà i biscotti e causano loro di espandersi leggermente oltre al legame dei due pezzi insieme rendendo il ri-montaggio difficile se errato.

Posizionamento

- Per tagliare la fessura corrispondente nella faccia del pezzo giunzione, la macchina deve essere posizionata perpendicolare alla faccia (Figura D, E e F)
- Si consiglia di lavorare con la macchina piombando sul pezzo, in modo che il peso della macchina lavora con il senso di marcia, invece di tentare di guidare fuori verso l'alto dal basso del pezzo
- Se è necessario praticare un taglio troppo lontano da un bordo (taglio interno o a tasca) rimuovere la guida (30) allentando il pomello di blocco guida (29) e sollevare lo strumento. La fresatrice può ora riposare verticalmente su una superficie e essere posizionate liberamente - anche su pezzi di grandi dimensioni (Figura A). Assicurarsi che lo strumento è sicuro in posizione prima del taglio. Legno premuto sulla superficie del pezzo in lavorazione può essere utilizzato come una guida che impedisce movimento dell'utensile su entrambi gli assi
- Per alcuni altri tagli la guida impedirà il taglio e dovrà essere rimossa (Figura G)

Altre giunture

NB: La versatilità di questo strumento va ben oltre ciò che è coperto in questo manuale e questo serve solo come introduzione alle sue caratteristiche e il funzionamento.

Accessori

Una vasta gamma di accessori è disponibile presso i rivenditori Triton. Parti di ricambio possono essere ordinati tramite il rivenditore o il sito www.toolsparsonline.com.

Manutenzione

ATTENZIONE: Scollegare sempre questo strumento dalla presa di corrente prima di pulire o di effettuare qualsiasi intervento di manutenzione.

- Controllare il cavo di alimentazione dello strumento, prima di ogni utilizzo, per danni o usura. Le riparazioni devono essere eseguite da un centro di assistenza autorizzato da Triton. Questo consiglio vale anche per i cavi di prolunga usati con questo strumento

Ispezione generale

- Controllare regolarmente che tutte le viti di fissaggio siano serrate. Essi possono vibrare e allentarsi nel tempo

Lubrificazione

- Lubrificare tutte le parti mobili con uno spray lubrificante adatto, ad intervalli regolari

Sostituzione della lama

ATTENZIONE: Indossare sempre guanti tagliati a prova quando si maneggiano le lame per seghe.

IMPORTANTE: Non montare mai una lama danneggiata, fortemente usurata o spuntata.

IMPORTANTE: I giri della lama devono corrispondere o superare la velocità a vuoto dello strumento (vedi specifiche).

1. Accendere l'apparecchiatura sul lato posteriore, con la parte inferiore della base (12) rivolto verso l'alto
2. Svitare la lama di accesso manopola (21) fino a quando il coperchio di base (31) può essere sollevato. Assicurarsi che la guida (30) è ad una altezza di distanza dalla base
3. Premere il pulsante di blocco del mandrino (2) e utilizzare il perno chiave in dotazione per rimuovere la flangia filettata della lama (33)
4. Togliere la lama (32)
5. Inserire una nuova lama di tipo e dimensioni uguali (vedere 'Specifiche')

ATTENZIONE: Rispettare SEMPRE il senso di rotazione, come indicato dal l'indicatore di direzione (35 e 3).

6. Rimontare la flangia filettata della lama, premere il tasto di blocco del mandrino e stringere la flangia filettata della lama con la chiave a perno

7. Rilasciare il tasto di blocco mandrino, abbassare il coperchio di base e serrare nuovamente la lama di accesso manopola

Pulizia

ATTENZIONE: Indossare sempre dispositivi di protezione tra cui occhiali e guanti durante la pulizia di questo strumento.

- Mantenete il vostro strumento pulito in ogni momento. Sporizia e polvere possono causare un usura rapida delle parti interne, e ridurre la durata del dispositivo
- Pulire il corpo della macchina con una spazzola morbida, o un panno asciutto
- Non utilizzare sostanze caustiche per pulire le parti in plastica. Se lavaggio a secco non è sufficiente, si raccomanda un detergente delicato su un panno umido
- L'acqua non deve mai entrare in contatto con l'utensile
- Assicurarsi che lo strumento sia completamente asciutto prima di utilizzarlo
- Se disponibile, utilizzare aria compressa pulita e asciutta e farla soffiare attraverso i fori di ventilazione (se del caso)

Spazzole

- Nel corso del tempo le spazzole all'interno del motore possono usurarsi
- Spazzole eccessivamente usurate possono causare la perdita di potere, errore intermittente, o scintille visibile

Per sostituire le spazzole;

1. Rimuovere le viti della maniglia (20) che fissano la carcassa del manico principale (18)
2. Rimuovere le due parti facendo attenzione a non tirare o danneggiare i cavi
3. Usare con cautela un cacciavite per spingere nella piccola tacca sul davanti indicata dalla freccia inferiore (Figura I)
4. Premere delicatamente nell'altro lato della base come indicato con la freccia superiore poi rimuovere con attenzione la spazzola dall'alloggiamento
5. Togliere entrambe le spazzole usurate e sostituirle con nuove (Figura J), assicurandosi che le piccole sporgenze siano allineate allo strumento correttamente con le nuove spazzole al carbonio
6. Rimontare l'alloggiamento con attenzione e poi inserire e serrare le viti della maniglia
- In alternativa, portate la macchina per eseguire la manutenzione presso un centro assistenza autorizzato Triton

NB: Sostituire sempre spazzole di carbone a coppie.

Smaltimento

Rispettare sempre le normative nazionali per lo smaltimento di strumenti di potere che non sono più funzionali e non sono vitali per la riparazione.

- Non gettare utensili elettrici o apparecchiature elettriche ed elettroniche di altri rifiuti (RAEE), con i rifiuti domestici
- Contattare l'autorità locale di smaltimento rifiuti per informazioni sul modo corretto di smaltire elettrostrumenti

Garanzia

Per la registrazione della garanzia visitare il sito web www.tritontools.com* e inserire i propri dettagli.

Informazioni sull'acquisto

Data di acquisto: ___ / ___ / ___

Modello N.: TBJ001 Conservare lo scontrino come prova dell'acquisto

Triton Precision Power Tools garantisce all'acquirente di questo prodotto che, se qualsiasi parte dovesse presentare difetti di materiale o di fabbricazione entro 3 ANNI dalla data di acquisto originale, Triton riparerà o sostituirà, a sua discrezione, la parte difettosa gratuitamente. Questa garanzia non si applica ad uso commerciale né si estende alla normale usura o a danni a seguito di incidenti, abuso o uso improprio dell'utensile.

Registra il tuo prodotto on-line entro 30 giorni dall'acquisto.

Vengono applicati i termini e le condizioni generali.

Ciò non pregiudica i tuoi diritti legali

IT

Traducción del manual original

Introducción

Gracias por haber elegido esta herramienta Triton. Estas instrucciones contienen la información necesaria para utilizar este producto de forma segura y eficaz. Lea atentamente este manual para obtener todas las ventajas y características únicas de su nueva herramienta. Conserve este manual a mano y asegúrese de que todas las personas que utilicen esta herramienta lo hayan leído y entendido correctamente.

Descripción de los símbolos

Los siguientes símbolos pueden aparecer en la placa de características de su herramienta. Estos símbolos representan información importante sobre el producto o instrucciones relativas a su uso.



Lleve protección auditiva
Lleve protección ocular
Lleve protección respiratoria
Lleve un casco de seguridad



Lleve guantes de seguridad



Lea el manual de instrucciones



¡Atención! Cuchillas/dientes muy afilados



No utilizar en ambientes húmedos o bajo la lluvia



Desconecte siempre la herramienta de la toma eléctrica antes de realizar cualquier tarea de mantenimiento, sustituir accesorios o cuando no la esté utilizando.



Se recomienda/necesita utilizar un sistema de extracción de polvo



ADVERTENCIA: Los mecanismos móviles de esta herramienta pueden causar cortes y lesiones personales



¡Peligro!



Protección clase II (doble aislamiento para mayor protección)



Protección medioambiental
Los productos eléctricos usados no se deben mezclar con la basura convencional. Están sujetos al principio de recogida selectiva. Solicite información a su ayuntamiento o distribuidor sobre las opciones de reciclaje.



Conforme a las normas de seguridad y la legislación correspondiente.

Abreviaturas de términos técnicos

V	Voltio/s	Hz	Hercio/s
~, AC	Corriente alterna	—, DC	Corriente continua
A, mA	Amperio/s, miliamperio/s	W, kW	Vatio/s, kilovatio/s
n0	Velocidad sin carga	/min or min ⁻¹	(Revoluciones/ oscilaciones) por minuto
n	Velocidad nominal	dB(A)	Nivel de decibelios (Ponderada A)
°	Grados	m/s ²	Metros cuadrados por segundo (vibración)
∅	Diámetro		

Características técnicas

Modelo:	TBJ001
Tensión:	230V - 50Hz
Potencia de entrada:	760 W
Velocidad sin carga:	11.600 min ⁻¹
Capacidad de inclinación de la guía:	0 - 90°
Profundidad de corte máxima:	18 mm
Diámetro de la cuchilla:	∅100 mm
Dimensiones de la cuchilla:	∅100 x ∅22 x 3,92 mm x 6 dientes
Agujero:	∅22 mm
Ajuste de altura:	0 - 40 mm
Grado de protección:	IP20
Clase de protección:	
Longitud del cable de alimentación:	3 m
Dimensiones (L x An x A):	460 x 138 x 145 mm
Peso:	2,65 kg

Como parte de nuestra política de desarrollo de productos, los datos técnicos de los productos Triton pueden cambiar sin previo aviso.

Información sobre ruido y vibración:

Presión acústica L _{pa} :	92 dB(A)
Potencia acústica L _{wa} :	103 dB(A)
Incertidumbre k:	3dB
Vibración ponderada a _w :	3,27 m/s ²
Incertidumbre:	1,5 m/s ²

El nivel de intensidad sonora para el usuario puede exceder de 85 dB(A). Se recomiendan usar medidas de protección auditiva.

ADVERTENCIA: Utilice siempre protección auditiva cuando el nivel ruido exceda 85 dB(A) o cuando esté expuesto durante largos períodos de tiempo. Si por algún motivo nota algún tipo de molestia auditiva incluso llevando orejeras de protección, detenga inmediatamente la herramienta y compruebe que las orejeras de protección estén colocadas adecuadamente. Asegúrese de que el nivel de atenuación y protección de las orejeras sea adecuado dependiendo del tipo de herramienta y el trabajo a realizar.

ADVERTENCIA: La exposición a la vibración durante la utilización de una herramienta puede provocar pérdida del sentido del tacto, entumecimiento, hormigueo y disminución de la capacidad de sujeción. La exposición durante largos períodos de tiempo puede provocar enfermedad crónica. Si es necesario, limite el tiempo de exposición a la vibración y utilice guantes anti-vibración. No utilice la herramienta cuando sus manos estén muy frías, las vibraciones tendrán un mayor efecto. Utilice los datos técnicos de su herramienta para evaluar la exposición y medición de los niveles de ruido y vibración.

Los niveles de vibración y ruido están determinados por las directivas internacionales vigentes. Los datos técnicos se refieren al uso normal de la herramienta en condiciones normales. Una herramienta defectuosa, mal montada o desgastada puede incrementar los niveles de ruido y vibración. Para más información sobre ruido y vibración, puede visitar la página web www.osha.europa.eu

Instrucciones de seguridad relativas a las herramientas eléctricas

ADVERTENCIA: Lea siempre el manual de instrucciones y las advertencias de seguridad.

No seguir estas advertencias e instrucciones puede causar descargas eléctricas, incendios y/o lesiones graves.

ADVERTENCIA: No permita que los niños, personas discapacitadas o personas no cualificadas utilicen esta herramienta. Mantenga esta herramienta fuera del alcance de los niños.

Conservar estas instrucciones de seguridad para futura referencia.

La expresión "herramienta eléctrica" se refiere a su herramienta alimentada por corriente eléctrica (herramienta alámbrica) o una herramienta eléctrica alimentada por baterías (herramienta inalámbrica).

1) Seguridad en el área de trabajo

a) Mantenga el área de trabajo limpia y bien iluminada. Las áreas de trabajo desordenadas y oscuras son peligrosas y pueden provocar un accidente.

b) No utilice herramientas eléctricas en atmósferas explosivas que contengan líquidos, gases o polvos inflamables. Las herramientas eléctricas producen chispas que pueden incendiar el polvo o los vapores.

c) Mantenga alejados a los niños y personas que se encuentren a su alrededor mientras esté trabajando con una herramienta eléctrica. Las distracciones pueden hacerle perder el control de la herramienta.

2) Seguridad eléctrica

a) El enchufe de la herramienta eléctrica debe coincidir con la toma de corriente. No modifique nunca el enchufe de ninguna manera. No utilice ningún adaptador de enchufe sin toma de tierra. Los enchufes si modificar y el uso de tomas de corrientes adecuadas reducirán el riesgo de descargas eléctricas.

b) Evite el contacto con materiales conductores tales como tuberías, radiadores, estufas y refrigeradores. El riesgo de descarga eléctrica se incrementa si su cuerpo está expuesto a materiales conductores.

c) No exponga las herramientas eléctricas a la lluvia o la humedad. El contacto de agua en una herramienta eléctrica aumentará el riesgo de descargas eléctricas.

d) No doble el cable de alimentación. No use nunca el cable de alimentación para transportar la herramienta eléctrica, tirar de ella o desenchufarla. Mantenga el cable de alimentación alejado de fuentes de calor, aceite, bordes afilados o de las piezas móviles. Los cables de alimentación dañados o enredados aumentan el riesgo de descargas eléctricas.

e) Use un cable de extensión adecuado para exteriores cuando utilice una herramienta eléctrica en áreas exteriores. La utilización de un cable adecuado para exteriores reducirá el riesgo de descargas eléctricas.

f) Si es inevitable trabajar con una herramienta eléctrica en lugares húmedos, use un suministro protegido por un interruptor diferencial o disyuntor por corriente diferencial o residual (RCD). El uso de un RCD reduce el riesgo de descargas eléctricas.

g) Cuando utilice esta herramienta en Australia o Nueva Zelanda, se recomienda conectar esta herramienta en tomas de corriente protegida con dispositivo de protección de corriente diferencial residual de 30 mA o inferior.

3) Seguridad personal

a) Manténgase alerta, fíjese en lo que está haciendo y use el sentido común cuando esté utilizando una herramienta eléctrica. No use una herramienta eléctrica si se encuentra cansado o bajo la influencia de drogas, alcohol o medicamentos. Un momento de distracción mientras está utilizando una herramienta eléctrica puede provocar lesiones corporales graves.

b) Utilice siempre equipo de protección personal. Use siempre protección ocular. El uso de dispositivos de seguridad personal (máscara anti-polvo, calzado de seguridad antideslizante, casco resistente y protecciones auditivas adecuadas) reducirá el riesgo de lesiones corporales.

c) Evite el arranque accidental. Asegúrese de que el interruptor está en la posición de apagado antes de enchufar la herramienta. No transporte herramientas con el dedo en el interruptor o con el interruptor encendido, podría ocurrir un accidente.

d) Retire todas las llaves de ajuste antes de encender la herramienta eléctrica. Una llave enganchada en una parte móvil de la herramienta eléctrica puede causar lesiones graves.

e) No adopte posturas forzadas. Manténgase en posición firme y en equilibrio en todo momento. De este modo, podrá controlar mejor la herramienta eléctrica en situaciones inesperadas.

f) Vístase adecuadamente. No lleve ropa holgada ni joyas. Mantenga el pelo, la ropa y guantes alejados de las piezas móviles. La ropa holgada, las joyas o el pelo largo pueden quedar atrapados en las piezas móviles.

g) Cuando utilice esta herramienta en Australia o Nueva Zelanda, se recomienda conectar esta herramienta en tomas de corriente protegida con dispositivo de protección de corriente diferencial residual de 30 mA o inferior.

4) Uso y mantenimiento de las herramientas eléctricas

a) No fuerce la herramienta eléctrica. Utilice la herramienta eléctrica de forma adecuada. Utilice su herramienta únicamente para la tarea que haya sido destinada.

b) No use la herramienta eléctrica si el interruptor no la enciende o la apaga. Toda herramienta eléctrica que no se pueda controlar mediante el interruptor es peligrosa y debe ser reparada inmediatamente.

c) Desenchufe la herramienta o retire la batería antes de realizar cualquier ajuste, cambiar accesorios o almacenar la herramienta. Estas medidas de seguridad preventivas evitarán el arranque accidental de su herramienta eléctrica.

d) Guarde siempre las herramientas eléctricas fuera del alcance de los niños. No permita que las personas que no estén familiarizadas con estas instrucciones utilicen la herramienta. Las herramientas eléctricas son peligrosas en manos de personas que no estén capacitadas para su uso.

e) Revise regularmente sus herramientas eléctricas. Compruebe que no haya piezas en movimiento mal alineadas o trabadas, piezas rotas o cualquier otro problema que pueda afectar al funcionamiento de la herramienta eléctrica. Si hay alguna pieza dañada, repare la herramienta antes de volver a utilizarla. Muchos accidentes son causados por herramientas eléctricas que carecen de un mantenimiento adecuado.

f) Las herramientas de corte deben estar siempre afiladas y limpias. Las herramientas de corte correctamente afiladas son menos propensas a trabarse y son más fáciles de controlar.

g) Utilice la herramienta eléctrica y los accesorios siguiendo el manual de instrucciones y teniendo en cuenta las condiciones y el trabajo que necesite realizar. El uso de la herramienta eléctrica con un propósito distinto al cual ha sido diseñada, podría ser peligroso.

5) Mantenimiento y reparación

a) Repare siempre su herramienta eléctrica en un servicio técnico autorizado. Utilice únicamente piezas de recambio idénticas y homologadas. Esto garantizará un funcionamiento óptimo y seguro de su herramienta eléctrica.

Instrucciones de seguridad para engalletadoras



¡ADVERTENCIA!

• Utilice solo cuchillas conformes a las especificaciones y velocidad indicadas en la herramienta. Las cuchillas incompatibles pueden ser peligrosas y salir despedidas violentamente.

• Utilice siempre los protectores y elementos de seguridad de esta herramienta. Estos mecanismos de seguridad están diseñados para proteger al usuario durante el funcionamiento de la herramienta.

• Sujete la herramienta por las empuñaduras aisladas cuando utilice esta herramienta donde puedan haber cables bajo tensión ocultos. El contacto del accesorio con un cable bajo tensión podría provocar descargas eléctricas al usuario.

• No permita que las personas menores de 18 años utilicen esta herramienta. Lea atentamente el manual de instrucciones antes de usar esta herramienta.

• El cable de alimentación deberá ser sustituido solamente por un servicio técnico autorizado o por el fabricante.

• Se recomienda conectar esta herramienta a tomas de corriente protegida con dispositivo de protección de corriente diferencial residual de 30 mA o inferior.

ADVERTENCIA: Nunca utilice cuchillas desgastadas o dañadas.

ADVERTENCIA: Compruebe que el protector funcione correctamente antes de utilizar la herramienta.



Utilice siempre protección respiratoria: Uso de esta herramienta puede generar polvo que contiene productos químicos que pueden provocar cáncer, defectos congénitos y otros daños reproductivos. Algunos tipos de maderas contienen conservantes altamente tóxicos como el arseniato de cobre cromado (CCA). Tenga especial precaución al lijar, perforar o cortar este tipo de materiales. Evite la inhalación y el contacto directo con la piel.

a) Los cables de extensión deben estar completamente desenrollados. El cable alargador debe tener una sección transversal mínima de 1 mm².

b) Cuando se utilice esta herramienta al aire libre, conéctela a una fuente de alimentación equipada con un dispositivo RCD (interruptor diferencial) y un cable de extensión con sección transversal de 1,5 mm² con enchufes protegidos contra el agua y en buen estado de funcionamiento.

c) Asegúrese de que la cuchilla esté colocada firmemente. Las cuchillas que no se hayan fijado correctamente pueden salir expulsadas violentamente fuera de la herramienta y provocar lesiones al usuario.

d) Espere siempre hasta que la cuchilla se detenga por completo antes de dejar la herramienta.

ES

- e) Utilice siempre equipo de protección adecuado como guantes, gafas protectoras o protectores para el oído. Lleve máscara protectora para protegerse del polvo.
- f) Asegúrese de que el área de trabajo esté suficientemente iluminada.
- g) Asegúrese de que la cuchilla esté en contacto con la pieza de trabajo antes de comenzar a perforar.
- h) Utilice ambas manos para sujetar la herramienta cuando esté funcionando.
- i) Siempre que sea posible, utilice las empuñaduras auxiliares.
- j) No presione excesivamente la herramienta, podría acortar su vida útil.
- k) Las cuchillas se calientan durante el uso de esta herramienta, déjelas enfriar antes de sustituirlas.
- l) Nunca use sus manos para quitar impurezas y restos de madera.
- m) Nunca se distraiga, desconecte siempre la herramienta antes de realizar otra tarea.
- n) Siempre que sea posible, sujete la pieza de trabajo con abrazaderas o en un tornillo de banco.
- o) Desenchufe siempre la herramienta antes de cambiar un accesorio.
- p) Examine la herramienta con regularidad y compruebe que no esté desgastada o dañada. Repare las piezas dañadas en un servicio técnico autorizado.
- q) Desconecte la herramienta de la toma de corriente después de cada tarea.
- r) Examine periódicamente todos los tornillos y elementos de fijación de su herramienta y apriételos si es necesario.

Instrucciones de seguridad para herramientas de corte

ADVERTENCIA: Antes de conectar esta herramienta a la red eléctrica, asegúrese de que la tensión eléctrica sea la misma que la especificada en la placa de datos indicada en esta herramienta. No conecte esta herramienta a una fuente con una tensión inadecuada, podría dañar gravemente la herramienta y al usuario. Si tiene alguna duda, no enchufe la herramienta. Utilizar una fuente con un voltaje inferior al valor nominal indicado en la placa de datos será perjudicial para el motor.

Use la herramienta de corte adecuada

- Asegúrese de que la herramienta de corte sea la adecuada para el trabajo a realizar. No utilice esta herramienta sin haber leído antes toda la documentación suministrada con el producto.

Protéjase los ojos

- Póngase protección adecuada cuando utilice herramientas de corte.
- Las gafas convencionales no están diseñadas para usar con este producto. Este tipo de gafas no son resistentes a los impactos, usarlas podría causarle lesiones graves.

Protéjase los oídos

- Utilice siempre protección acústica adecuada cuando el ruido producido por la herramienta supere los 80 dB.

Protéjase las vías respiratorias

- Asegúrese de que el usuario, así como las personas de su alrededor, utilicen siempre mascarillas adecuadas contra el polvo.

Protéjase las manos

- Nunca coloque sus manos cerca del accesorio de corte. Utilice siempre empujadores cuando vaya a cortar piezas de trabajo pequeñas.

Tenga en cuenta a las personas que le rodean

- Es responsabilidad del usuario asegurarse de que las personas próximas al área de trabajo no estén expuestas al ruido o al polvo excesivo. Asegúrese de que todas las personas que se encuentren cerca del área de trabajo lleven equipo protector adecuado.

Objetos extraños

- Inspeccione el material a cortar y asegúrese de que no hay objetos extraños (clavos, etc.) antes de empezar a cortar.
- No corte ningún material que tenga objetos extraños, excepto si está seguro de que el accesorio de corte montado en la máquina es adecuado para ello.
- En las paredes puede haber cables y tuberías no visibles, los paneles de la carrocería de los vehículos pueden esconder tubos de combustible, y en la hierba crecida puede haber piedras y trozos de cristal. Inspeccione siempre a fondo la zona de trabajo antes de empezar a cortar.

Atención al material que sale despedido

- En algunas situaciones, el material puede salir despedido de la herramienta de corte a gran velocidad. Asegúrese de que no haya otras personas en la zona de trabajo. Si es necesaria la presencia de otras personas, es responsabilidad del usuario asegurarse de que lleven equipo protector adecuado.

Montaje de los accesorios de corte

- Asegúrese de que los accesorios de corte estén montados correctamente y de retirar las llaves o ajustadores antes de empezar a cortar.
- Use sólo los accesorios de corte recomendados para su máquina.
- No intente modificar los accesorios de corte.
- Asegúrese de que las hojas/cuchillas estén afiladas y colocadas firmemente.
- Nunca intente afilar cuchillas que no estén diseñadas para volver a afilarse, incluido hojas/cuchillas fabricadas en aleaciones endurecidas con carburo de tungsteno.

- Afile la hoja/cuchilla de acuerdo con las indicaciones del fabricante, incluido el número de veces que se puedan afilar.
- Inspeccione siempre las hojas/cuchillas recién afiladas antes de utilizarlas. Sustitúyala si es necesario.
- Sustituya inmediatamente la hoja/cuchilla si esta queda atrapada por un objeto durante el corte.

Dirección de corte

- Introduzca el material a cortar hacia la hoja o cortadora, y sólo en sentido contrario al movimiento de la cuchilla o cortadora.

Tenga cuidado con las partes calientes

- Recuerde que los accesorios de corte y el material a cortar pueden calentarse durante el uso. No intente cambiar los accesorios hasta que se hayan enfriado completamente.

Control de polvo y residuos

- No deje que se acumulen el polvo o las virutas. El aserrín supone un riesgo de incendio y algunas virutas metálicas pueden ser explosivas.
- Tenga mucha precaución cuando corte madera y metal. Las chispas que produce el corte de metal son causa habitual de incendios producidos donde hay serrín.
- Siempre que sea posible, use un sistema de extracción de polvo para asegurarse de que trabaja en un entorno seguro.

⚠ ADVERTENCIA

El polvo creado al lijar, aserrar, amolar, perforar y al realizar otros trabajos de construcción puede contener sustancias químicas identificadas por el estado de California como causantes de cáncer, o defectos de nacimientos, y/u otros daños reproductivos. Algunos ejemplos de estos productos químicos son:

- El plomo de las pinturas a base de plomo.
- La silice cristalina de los ladrillos y cemento y otros productos de mampostería.
- El arsénico y el cromo de goma tratados químicamente.

El riesgo derivado de estas exposiciones puede variar dependiendo de la frecuencia con que se realice este tipo de trabajo. Para reducir la exposición a estas sustancias químicas, trabaje siempre en áreas bien ventilada y lleve equipos de seguridad adecuados, tales como máscaras contra el polvo especialmente diseñadas para filtrar partículas microscópicas.

Características del producto

1. Empuñadura auxiliar
2. Botón de bloqueo del husillo
3. Indicador de sentido de rotación
4. Perilla de bloqueo del ángulo
5. Centro de la guía
6. Marca del lado izquierdo de la guía
7. Indicador de centrado de la cuchilla
8. Marca del lado derecho de la guía
9. Almohadilla antideslizante
10. Indicador de profundidad
11. Tope de torreta
12. Base
13. Tope de profundidad
14. Tuerca de bloqueo del tope de profundidad
15. Salida de extracción de polvo
16. Ranuras de ventilación
17. Interruptor de encendido/apagado
18. Empuñadura
19. Cara frontal
20. Tornillos para la empuñadura (x 4)
21. Perilla de acceso a la cuchilla
22. Pernos para la empuñadura auxiliar (x 2)
23. Topes (0°, 45° y 90°)
24. Escala de ángulos
25. Indicador de ángulos
26. Indicador de centrado de la cuchilla
27. Escala de altura de la guía
28. Paso de la cuchilla
29. Perilla de bloqueo de la guía
30. Guía
31. Tapa de la base
32. Cuchilla
33. Brida roscada
34. Dientes de la cuchilla
35. Indicador de sentido de rotación

Accesorios (no mostrados):

- Llave de espiga
- Bolsa para polvo
- Llave hexagonal
- Maletín de transporte

Aplicaciones

Herramienta eléctrica con cuchilla circular para cortar ranuras y ensamblar piezas de madera utilizando galletas de diferentes tamaños.

Desembalaje

Desembale e inspeccione la herramienta con cuidado. Familiarícese con todas sus características y funciones.

Asegúrese de que el embalaje contiene todas las partes y que están en buenas condiciones. Si faltan piezas o están dañadas, solicite su sustitución antes de utilizar esta herramienta.

Antes de usar

ADVERTENCIA: Desconecte siempre la herramienta de la red eléctrica antes de realizar cualquier tarea de mantenimiento o limpieza.

ADVERTENCIA: Asegúrese de que la cuchilla esté instalada correctamente antes de utilizar la herramienta. Véase "Sustitución de la cuchilla".

Empuñadura auxiliar

- Utilice los pernos (22) y las arandelas suministradas para montar la empuñadura auxiliar (1).
- La empuñadura auxiliar está montada en una posición fija, a través de las ranuras situadas en cada lado de la herramienta, por lo tanto, el ángulo de la empuñadura no se puede ajustar.

Tamaños de las galletas

Marca	Galleta	Ancho	Longitud	Grosor	Profundidad de corte
0	Nº 0	15-16 mm (5/8")	44-47 mm (1-13/16")	4 mm (19/128")	8 mm (5/16")
10	Nº 10	19 mm (13/16")	53-54 mm (2-1/16")	4 mm (19/128")	10 mm (3/8")
20	Nº 20	25 mm (15/16")	56-60 mm (2-5/16")	4 mm (19/128")	12,5 mm (1/2")
S	Nº 20	25 mm (15/16")	56-60 mm (2-5/16")	4 mm (19/128")	13 mm (1/2")
D	S6	30 mm (1-1/8")	85 mm (3-3/8")	4 mm (19/128")	14,7-15 mm (19/32")
MAX	N/A	Tope de torreta ajustado al máximo a 18 mm (23/32")			
NO COMPATIBLES	#H9	12 mm	38 mm	3 mm	6-7 mm (1/4")
NO COMPATIBLE	Triton 7 (BJA050/BJA056)				

- Medidas aproximadas.

Ajuste de la altura de corte

Nota: La ranuras para las galletas se realizan generalmente en el centro de la pieza de trabajo, por lo tanto, deberá ajustar la altura de corte a la mitad del grosor de la pieza de trabajo.

- La herramienta con la guía (30) puede ajustarse entre 0 – 40 mm.

1. Afloje la perilla de bloqueo de la guía (29).
2. Ajuste la altura de la guía utilizando la escala de altura de la guía (27).
3. Apriete la perilla de bloqueo de la guía.

Nota: Asegúrese de que la guía esté ajustada correctamente, de lo contrario podría dañar la pieza de trabajo y la herramienta.

Nota: Las graduaciones de la escala de ángulo son solamente aproximadas. Utilice herramientas adicionales para comprobar el ángulo de la guía.

Funcionamiento

IMPORTANTE: Sujete la herramienta con ambas manos. Sujete la empuñadura (1) con una mano, con el pulgar apoyado sobre el interruptor de encendido/apagado (17) y la otra mano sobre la empuñadura auxiliar (1).

IMPORTANTE: Compruebe que el protector funcione correctamente antes de realizar un corte.

Salida de extracción de polvo

- Para mejorar la extracción de polvo, conecte siempre esta herramienta a un sistema de aspiración o aspiradora doméstica a través de la salida de extracción de polvo (15).
- En caso de no tener una aspiradora, conecte la bolsa para polvo suministrada en la salida de extracción de polvo.

Nota: Vacíe y limpie regularmente la bolsa para polvo. Se recomienda vaciar la bolsa cuando esté medio llena.

Ajuste de la profundidad de corte

Esta herramienta dispone de tope de torreta (11) con 6 ajustes de profundidad diferentes (0, 10, 20, S, D y Max) para utilizar con diferentes tipos de galletas. Véase la tabla mostrada más abajo.

Se recomienda calibrar la herramienta según el tamaño de galleta utilizada. El tamaño más utilizado es el Nº10.

1. Ajuste el tope de torreta (11) en la posición "10", visible en el indicador de profundidad (10).
2. Empuje la empuñadura auxiliar (1) hasta que el tope de profundidad (13) entre en contacto con el tope de torreta (imagen B). A continuación, mida la distancia que hay desde el extremo de la cuchilla hasta el paso de la cuchilla (28). Gire la cuchilla (32) y asegúrese de que el diente de la cuchilla (34) esté lo más alejado posible del paso de la hoja. El diente de la cuchilla debe estar situado en la parte central del paso de la hoja.
3. Par una galleta de Nº10, el tope de torreta deberá ajustarse en el Nº10, tal como se indica en la tabla mostrada más abajo. Afloje la tuerca de bloqueo del tope de profundidad (14) y ajuste el tope de profundidad si es necesario para incrementar o disminuir la longitud de corte.
4. Apriete la tuerca de bloqueo del tope de profundidad después de realizar los ajustes.

ADVERTENCIA: Ajustar la profundidad de corte de forma incorrecta puede dañar la pieza de trabajo.

Nota: Las calibraciones de los toques de torreta restantes son bastante aproximadas a la medida de corte seleccionada.

Nota: Se recomienda realizar un corte de prueba en un trozo de material desechable antes de iniciar el corte definitivo

Encendido y apagado

1. Apriete el interruptor de encendido/apagado (17) para encender la herramienta.
2. Suelte el interruptor de encendido/apagado para apagar la herramienta.

Notas:

- Antes de comenzar el corte deberá ajustar la herramienta tal como se explica en la sección "Antes de usar". Marque la posición de la ranura con lápiz en la pieza de trabajo (Fig. II).
 - Esta herramienta dispone de varias marcas para ayudarle a realizar un corte de forma precisa. El centro de la guía (5) y el indicador de centrado de la cuchilla (7) indican el centro de la cuchilla. Las marcas del lado izquierdo y derecho de la guía (6 y 8) indican el límite para las galletas de mayor tamaño (no los bordes exteriores de la cuchilla – indicado en la guía). El indicador de centrado de la cuchilla (26) situado en la base de la herramienta sirve para indicar el ajuste de altura de la cuchilla para cuchillas estándar de 4 mm.
 - Es importante marcar previamente la superficie de trabajo. También puede ser de gran utilidad sujetar las dos piezas de trabajo en la posición requerida, marcar y realizar el corte. Cuando realice los cortes, coloque la herramienta en el centro de la pieza de trabajo.
 - Existe una pequeña tolerancia al realizar una corte, por lo tanto, la precisión a la hora de realizar un corte es un factor muy importante.
 - Las ranuras pueden realizarse en diferentes posiciones para ensamblar varias piezas de trabajo (Fig. I). El tamaño de la ranura podrá ser mayor o menor dependiendo del tipo de ensamble (Fig. III).
 - La pieza de trabajo deberá sujetarse en un banco de trabajo, también puede utilizar una almohadilla antideslizante entre la pieza de trabajo y el banco de trabajo.
1. Ajuste el tope de torreta (11) según el tamaño de la galleta.
 2. Sujete el cuerpo de la herramienta con una mano y coloque el pulgar sobre el interruptor de encendido/apagado (17).

ES

3. Alinee las marcas de la herramienta con las marcas previamente trazadas en la pieza de trabajo.
4. Coloque la herramienta sobre la pieza de trabajo. La cara frontal (19) y la guía (30) deben estar en contacto con la pieza de trabajo.
5. Presione la parte frontal de la guía y sujete la herramienta con la otra mano. Compruebe que no haya ningún espacio debajo de la cara frontal o debajo de la guía.

Nota: Puede que necesite presionar ligeramente la guía (30) (imagen H) en vez de sujetar solamente la herramienta por la empuñadura auxiliar (1). Esto le permitirá sujetar la herramienta contra la pieza de trabajo de forma segura.

Nota: Puede que también necesite presionar la guía cuando utilice una almohadilla antideslizante. Se recomienda siempre sujetar la herramienta con ambas manos. Para mayor seguridad, sujete siempre la pieza de trabajo firmemente sobre un banco de trabajo.

6. Apriete el interruptor de encendido/apagado (17), deje que la cuchilla alcance su velocidad máxima y empuje el cuerpo de la herramienta hacia adelante para que la cuchilla penetre en la pieza de trabajo (imagen H).
7. Empuje el cuerpo de la herramienta hacia adelante hasta que entre en contacto con el tope de profundidad (13) situado en el tope de torreta (11).
8. Retire la herramienta de la pieza de trabajo mientras esté en funcionamiento sujetándola con ambas manos.
9. Utilice el interruptor de encendido/apagado para detener la herramienta una vez que la cuchilla esté fuera de la pieza de trabajo.

Nota: El mecanismo con resorte provocará que el cuerpo de la herramienta se mueva automáticamente hacia atrás y vuelva a su posición inicial. Asegúrese de mantener la herramienta en posición recta cuando retire la cuchilla fuera de la pieza de trabajo.

10. Espere hasta que la cuchilla se detenga completamente antes de retirar la herramienta fuera de la pieza de trabajo.

Nota: Se recomienda practicar antes en un trozo de material desechable.

Nota: Se recomienda comprobar el ensamble antes de colocar el adhesivo en la galleta, de lo contrario el adhesivo expandirá la galleta y será difícil retirar la galleta de la pieza de trabajo.

Posición del corte

- Para realizar una ranura en la pieza de trabajo deberá colocar la herramienta en posición perpendicular a la cara frontal (imagen D, E y F).
- Se recomienda presionar sobre la pieza de trabajo para que el peso de la herramienta le ayude a realizar el corte.
- Si por alguna razón necesita realizar agujeros alejados del borde (agujero oculto), afloje la perilla de bloqueo de la guía (29) para retirar la guía (30) y levantar la herramienta. Ahora podrá colocar la herramienta en posición vertical sobre la superficie de trabajo. Este método es ideal para piezas de trabajo de gran tamaño (imagen A). Asegúrese de que la pieza de trabajo esté colocada firmemente antes de realizar un corte. Coloque un trozo de madera sobre la superficie de trabajo para sujetar y guiar la herramienta durante el corte.
- En algunos casos necesitará retirar la guía dependiendo para realizar el corte (imagen G).

Realizar otro tipo de juntas

Nota: Esta herramienta está capacitada para realizar diferentes tipos de ensambles no indicados en este manual.

Accesorios

Existen gran variedad de accesorios para esta herramienta disponibles en su distribuidor Triton más cercano o a través de www.toolsparsonline.com

Mantenimiento

ADVERTENCIA: Desconecte siempre la herramienta de la toma de corriente antes de cambiar o sustituir cualquier accesorio, instalar una herramienta o realizar cualquier ajuste.

Inspección general

- Inspeccione el cable de alimentación antes de utilizar esta herramienta y asegúrese de que no esté dañado. Las reparaciones deben realizarse por un servicio técnico Triton autorizado.

Lubricación

- Aplique regularmente spray lubricante en las piezas móviles.

Sustitución de la cuchilla

ADVERTENCIA: Lleve siempre guantes de protección adecuados cuando maneje las cuchillas.

ADVERTENCIA: Nunca utilice cuchillas dañadas, dobladas o desgastadas.

ADVERTENCIA: Utilice solo cuchillas conformes a las especificaciones y velocidad indicadas en la herramienta.

1. Coloque la herramienta boca abajo con la base (12) mirando hacia arriba.
 2. Afloje la perilla de acceso a la cuchilla (21) hasta que la tapa de la base (31) pueda abrirse. Asegúrese de que la guía (30) esté alejada de la base.
 3. Apriete el botón de bloqueo del husillo (2) y retire la brida roscada (33) utilizando la llave de espiga.
 4. Retire la cuchilla (32).
 5. Introduzca una cuchilla compatible conforme las características técnicas indicadas en este manual.
- ADVERTENCIA:** Tenga en cuenta el sentido de rotación de la cuchilla indicado en el indicador de sentido de rotación (35 y 3).
6. Apriete el botón de bloqueo del husillo y utilice la llave de espiga para apretar la brida roscada.
 7. Suelte el botón de bloqueo del husillo, cierre la tapa de la base y vuelva a apretar la perilla de acceso a la cuchilla.

Limpieza

ADVERTENCIA: Utilice SIEMPRE guantes y protección ocular cuando limpie esta herramienta.

- Mantenga la herramienta siempre limpia. La suciedad y el polvo pueden dañar y reducir la vida útil su herramienta.
- Utilice un cepillo suave o un paño seco para limpiar la herramienta.
- Nunca utilice agentes cáusticos para limpiar las piezas de plástico. Se recomienda utilizar un paño humedecido con un detergente suave.
- Nunca deje que el agua entre en contacto con la herramienta.
- Asegúrese de que la herramienta esté completamente seca antes de utilizarla.
- Si dispone de un compresor de aire comprimido, sople con aire seco y limpio para limpiar los orificios de ventilación.

Sustitución de las escobillas

- Con el tiempo, las escobillas de carbono del motor se desgastarán.
- Si las escobillas se han desgastado excesivamente, el rendimiento del motor puede disminuir, la herramienta tal vez no arranque o quizás observe una excesiva presencia de chispas.

Nota: Esta herramienta incluye un juego de escobillas de carbón de repuesto.

Para sustituir las escobillas:

1. Retire los tornillos (20) de la empuñadura (18).
 2. Retire las tapas de ambos lados con precaución para no dañar los cables.
 3. Utilice un destornillador para empujar la ranura hacia adelante tal y como muestra la flecha (imagen I).
 4. Presione sobre el otro lado de la base de las escobillas tal como se indica en la flecha situada en la parte superior. Ahora, retire la escobilla.
 5. Remplace las escobillas por unas nuevas (imagen J). Asegúrese de que las ranuras situadas en el interior de la herramienta estén correctamente alineadas con las escobillas.
 6. Vuelva a colocar el conjunto de las escobillas y los tornillos para la empuñadura.
- Si tiene dudas sobre como sustituir las escobillas, lleve la herramienta a un servicio técnico autorizado.

Nota: sustituya siempre ambas escobillas de forma simultánea.

Reciclaje

Deshágase siempre de las herramientas eléctricas adecuadamente respetando las normas de reciclaje indicadas en su país.

- No desheche las herramientas y aparatos eléctricos junto con la basura convencional. Recíclelos siempre en puntos de reciclaje.
- Póngase en contacto con la autoridad local encargada de la gestión de residuos para obtener más información sobre cómo reciclar este tipo de herramientas correctamente.

Garantía

Para registrar su garantía, visite nuestra página Web en www.tritontools.com* e introduzca sus datos personales.

Recordatorio de compra

Fecha de compra: ___/___/___

Modelo: TBJ001 Conserve su recibo como prueba de compra. art pr

Las herramientas Triton disponen de un período de garantía de 3 años. Para obtener esta garantía, deberá registrar el producto online en un plazo de 30 días contados a partir de la fecha de compra. Si durante ese período apareciera algún defecto en el producto debido a la fabricación o materiales defectuosos, Triton se hará cargo de la reparación o sustitución del producto adquirido. Esta garantía no se aplica al uso comercial por desgaste de uso normal, daños accidentales o por mal uso de esta herramienta.

* Registre el producto online en un plazo de 30 días contados a partir de la fecha de compra.

Se aplican los términos y condiciones.

Esto no afecta a sus derechos legales como consumidor.

ES

Tradução das instruções originais

Introdução

Obrigado por comprar esta ferramenta Triton. Este manual contém as informações necessárias para a operação segura e eficiente deste produto. Este produto apresenta recursos exclusivos, e mesmo que você esteja familiarizado com produtos similares, é necessário ler o manual cuidadosamente para garantir que as instruções sejam totalmente entendidas. Assegure-se de que todos os usuários desta ferramenta leiam e compreendam totalmente o manual.

Descrição dos símbolos

A placa de identificação de sua ferramenta poderá apresentar alguns símbolos. Estes indicam informações importantes sobre o produto, ou instruções sobre seu uso.



Use proteção auricular
Use proteção ocular
Use proteção respiratória
Use proteção de cabeça



Use proteção nas mãos



Leia o manual de instruções



Aviso: Lâminas ou dentes afiados!



NÃO use sob chuva ou em ambientes úmidos!



Desconecte sempre da tomada elétrica, quando for fazer ajustes, trocar acessórios, limpar, efetuar manutenção ou quando não estiver em uso!



Coleta de pó necessária ou recomendada.



AVISO: Peças móveis podem causar ferimentos por corte ou esmagamento.



Cuidado!



Construção de classe II (isolamento duplo para proteção adicional)



Proteção ambiental
O descarte de produtos elétricos não deve ser feito no lixo doméstico. Faça a reciclagem em locais próprios para isso. Consulte as autoridades locais ou seu revendedor para saber como reciclar.



Cumpra a legislação e os padrões de segurança aplicáveis.

Abreviações Técnicas

V	Volts
~, AC	Corrente alternada
A, mA	Ampere, miliampere
n0	Velocidade sem carga
n	Velocidade nominal
°	Graus
Ø	Diâmetro

Hz	Hertz
==, DC	Corrente Contínua
W, kW	Watt, Quilowatt
/min or min ⁻¹	Operações por minuto
dB(A)	Nível sonoro, em decibéis (A ponderado)
m/s ²	Metros por segundo ao quadrado (magnitude de vibração)

Especificação

Modelo:	TBJ001
Voltagem:	230V ~ 50Hz
Consumo de potência:	760W
Velocidade sem carga:	11.600min ⁻¹
Faixa do ângulo da guia:	0 a 90°
Máx. profundidade de corte:	18mm
Diâmetro da lâmina:	Ø100mm
Lâmina:	Ø100 x Ø22 x 3,92mm x 6T
Furo:	Ø22mm
Ajuste de altura:	0 a 40mm
Proteção de entrada:	IP20
Classe de proteção:	
Comprimento do cabo elétrico:	3m
Dimensões (C x L x A):	460 x 138 x 145mm
Peso:	2,65kg
Como parte do desenvolvimento de nossos produtos, as especificações da Triton podem ser alteradas sem aviso.	
•As medidas no sistema inglês são aproximadas.	
Informações sobre ruído e vibração	
Pressão sonora L _{WA} :	92dB(A)
Potência sonora L _{WA} :	103dB(A)
Incerteza K:	3 dB
Vibração ponderada:	3,27m/s ²
Incerteza K:	1,5m/s ²
O nível de intensidade sonora para o operador poderá ultrapassar 85dB(A) e, por isso, são necessárias medidas de proteção.	

AVISO: Use sempre proteção auditiva apropriada, quando o ruído da ferramenta ultrapassar 85dB(A) e limite o tempo de exposição ao mínimo necessário. Caso os níveis de ruído se tornem desconfortáveis, mesmo com proteção auditiva, pare imediatamente de usar a ferramenta e verifique se a proteção auditiva está ajustada de forma correta, de modo a proporcionar uma atenuação sonora adequada, para o nível de ruído produzido pela ferramenta.

AVISO: A exposição do usuário à vibração da ferramenta pode resultar em perda de sentido do tato, dormência, formigamento e diminuição da capacidade de agarrar. A exposição por longo prazo pode levar a uma condição crônica. Caso necessário, limite o período de tempo que fica exposto à vibração e use luvas antivibração. Não use a ferramenta com as mãos expostas a uma temperatura abaixo da temperatura normal confortável, uma vez que a vibração tem mais impacto nessa condição. Use os valores fornecidos na especificação relativa a vibrações, para calcular a duração e frequência de uso da ferramenta.

Os níveis sonoros e de vibração da especificação são determinados de acordo com padrões internacionais. Os valores consideram o uso normal da ferramenta, sob condições de trabalho normais. Uma ferramenta montada, mantida ou usada incorretamente, poderá produzir níveis de ruído, e de vibração, superiores..

O site: www.osha.europa.eu fornece mais informações sobre níveis de vibração e ruído em locais de trabalho, e pode ser útil para usuários domésticos que usam ferramentas por longos períodos de tempo.

General Safety

AVISO Leia todos os avisos de segurança e todas as instruções. O descumprimento dos avisos e instruções pode resultar em choque elétrico, incêndio e/ou ferimentos graves.

AVISO: Este equipamento não foi projetado para ser usado por pessoas (inclusive crianças) com capacidade física ou mental reduzida, ou sem experiência ou conhecimento, exceto se estiverem sob supervisão ou houverem recebido instruções relativas ao uso do equipamento pela pessoa responsável por sua segurança. As crianças devem ser supervisionadas para garantir que não brinquem com o equipamento.

Guarde todos os avisos e instruções para consulta futura.

O termo "ferramenta elétrica", nos avisos, se refere a uma ferramenta elétrica que usa alimentação da rede (com cabo elétrico) ou uma bateria (sem cabo elétrico).

1) Segurança na área de trabalho

- Mantenha a área de trabalho limpa e bem iluminada. Áreas desorganizadas ou escuras facilitam os acidentes.
- Não opere ferramentas elétricas em atmosferas explosivas, como na presença de líquidos, gases ou serragens inflamáveis. Ferramentas elétricas produzem faíscas que podem inflamar a serragem ou os gases.
- Mantenha as crianças e observadores à distância, quando operar ferramentas elétricas. Distrações podem fazer você perder o controle.

2) Segurança elétrica

- O plugue de tomada da ferramenta deve ser compatível com a tomada de parede. Nunca modifique um conector, de maneira física. Nunca use conectores adaptadores em ferramentas elétricas com fio terra (aterradas). Conectores sem modificações e tomadas corretas reduzem o risco de choques elétricos.
- Evite o contato de seu corpo com superfícies aterradas, como tubos, radiadores, extensões e refrigeradores. Existe um risco maior de choque elétrico se o seu corpo estiver aterrado.
- Não deixe as ferramentas elétricas expostas a chuva ou condições úmidas. A água que entra em uma ferramenta elétrica, aumenta o risco de choque elétrico.
- Não abuse do cabo elétrico. Nunca use o cabo para carregar, puxar ou desconectar a ferramenta elétrica. Mantenha o cabo longe de calor, óleo, bordas afiadas ou peças móveis. Cabos danificados ou emaranhados aumentam o risco de choque elétrico.
- Quando operar uma ferramenta elétrica ao ar livre, use um cabo de extensão adequado para uso externo. A utilização de um cabo adequado para uso externo reduz o risco de choque elétrico.
- Se o uso da ferramenta elétrica em local úmido for inevitável, use uma fonte de alimentação protegida com Dispositivo de Corrente Residual (DR). O uso de um DR reduz o risco de choque elétrico.
- Quando usada na Austrália ou Nova Zelândia, recomenda-se que esta ferramenta seja SEMPRE alimentada através de um Dispositivo de Corrente Residual (DR), com corrente residual nominal de 30mA ou menos.

3) Segurança pessoal

- Mantenha-se alerta, preste atenção no que faz e use de bom senso quando operar uma ferramenta elétrica. Não use ferramentas elétricas quando estiver cansado ou sob influência de drogas, álcool ou medicamentos. Um momento de desatenção, quando se opera uma ferramenta elétrica, pode resultar em ferimentos pessoais graves.
- Use equipamentos de proteção individual. Use sempre proteção ocular. Equipamentos de proteção como máscara respiratória, calçados de proteção antiderrapantes, capacete ou protetores auditivos, usados de acordo com as condições apropriadas, reduzem a ocorrência de ferimentos.
- Evite partidas não intencionais. Certifique-se de que o interruptor esteja na posição desligada, antes de conectar a ferramenta à fonte de alimentação e/ou bateria, quando estiver pegando-a, ou quando estiver trabalhando-a.

Transportar ferramentas elétricas com seu dedo no interruptor ou energizar ferramentas elétricas com o interruptor na posição ligada, propicia acidentes.

- Remova todas as chaves ou ferramentas de trabalho, antes de ligar a ferramenta elétrica. Uma chave deixada em uma peça rotativa da ferramenta elétrica poderá resultar em ferimentos.

e) Não se estique demais. Mantenha sempre o equilíbrio e os pés em local firme. Isto permite um melhor controle da ferramenta em situações inesperadas.

f) Vista-se apropriadamente. Não use joias, nem roupas largas. Mantenha cabelos, roupas e luvas longe das peças móveis. Roupas largas, joias e cabelos longos podem ficar presos nas peças móveis

g) Se for utilizar dispositivos para a aspiração e coleta de pó, assegure-se de que estejam conectados e sejam usados corretamente. O uso da coleta de pó pode reduzir os riscos associados ao excesso de pó.

4) Uso e cuidados com a ferramenta elétrica

a) Não force a ferramenta elétrica. Use a ferramenta correta para sua aplicação. A ferramenta correta fará o trabalho melhor e com mais segurança, com a produtividade para a qual foi projetada.

b) Não use a ferramenta elétrica se o interruptor liga/desliga não estiver funcionando. Qualquer ferramenta que não puder ser controlada com o interruptor liga/desliga é perigosa e deve ser consertada.

c) Desconecte o conector de tomada da rede elétrica e/ou a bateria da ferramenta, antes de realizar quaisquer ajustes, troque acessórios ou de guardá-la. Estas medidas de segurança preventivas reduzem o risco de se ligar a ferramenta por acidente.

d) Guarde a ferramenta elétrica fora do alcance de crianças, quando não estiver em uso, e não permita que pessoas não familiarizadas com a ferramenta, e com estas instruções, a operem. Ferramentas elétricas são perigosas nas mãos de pessoas não treinadas.

e) Conserve as ferramentas elétricas. Verifique o alinhamento ou emperramento das peças móveis, se existem peças quebradas ou outra condição que possa afetar a operação da ferramenta. Se a ferramenta estiver danificada, providencie o conserto, antes de usá-la. Muitos acidentes são causados por ferramentas mal conservadas.

f) Mantenha as ferramentas de corte limpas e afiadas. Ferramentas de corte com bordas afiadas, quando mantidas corretamente, são menos propensas a emperramentos e mais fáceis de controlar

g) Use a ferramenta elétrica, seus acessórios e outros elementos de acordo com estas instruções, considerando as condições de trabalho e o serviço a ser executado. O uso da ferramenta para operações diferentes daquelas para as quais foi projetada pode resultar em uma situação de risco

5) Reparos

a) Entregue sua ferramenta para reparos a pessoal técnico qualificado, que use apenas peças de reposição originais. Isto garantirá que a ferramenta continuará oferecendo segurança.

Segurança da Cavilhadeira e Fresadora de juntas



AVISO!

- As juntas devem suportar pelo menos a velocidade de rotação indicada na ferramenta. Juntas operando acima de sua velocidade nominal poderão ser arremessadas e provocar ferimentos.
- Use sempre o protetor. O protetor evita que o operador seja atingido por fragmentos o que tenha contato não intencional com a lâmina.
- Segure a ferramenta elétrica pelas superfícies aderentes isoladas, uma vez que a lâmina poderá cortar o próprio cabo da ferramenta. O corte de um cabo eletrificado poderá eletrificar as partes metálicas da ferramenta, provocando choque elétrico no operador.
- Não permita que pessoas com menos de 18 anos operem a ferramenta. Assegure-se de que os operadores estão familiarizados com estas instruções de operação e segurança.
- Caso seja necessário trocar o cabo de alimentação, isto deverá ser feito pelo fabricante ou seu agente autorizado, de modo a evitar riscos.
- Recomenda-se que a ferramenta seja sempre alimentada por meio de um dispositivo de corrente residual (DR) com especificação nominal de 30 mA ou menos.

AVISO: Não use lâminas cegas ou danificadas.

AVISO: Antes do uso, verifique se o sistema de retração do protetor está funcionando corretamente.



Use proteção respiratória apropriada: O uso desta ferramenta pode produzir pó contendo substâncias químicas causadoras de câncer, defeitos congênitos ou outras alterações reprodutivas. Algumas madeiras contêm conservantes como o Arseniato de Cobre Cromatado (CCA) que podem ser tóxicos. Quando se lixam, perfuram ou cortam tais madeiras, deve ser tomado cuidado adicional para evitar a inalação e reduzir o contato com a pele.

- As bobinas de extensão de cabo elétrico usadas com esta ferramenta devem ser completamente desenroladas. Seção transversal mínima de condutor: 1,0mm²
- Quando esta ferramenta for usada ao ar livre, conecte-a a uma fonte de alimentação que tenha um dispositivo DR e um cabo de extensão com um mínimo 1.5mm² de seção transversal, com tomadas à prova de água em bom estado de funcionamento.
- Certifique-se de que a fresa ou lâmina está instalada firmemente, antes do uso. Fresas ou lâminas soltas poderão ser arremessadas pela máquina, criando um perigo.
- Aguarde sempre até que a máquina pare completamente, antes de pousá-la na bancada.

PT

- e) Quando operar esta máquina, use equipamento de segurança, incluindo óculos de proteção, proteção auditiva e vestuário de proteção, inclusive luvas. Use uma máscara respiratória se a operação de perfuração criar pó.
- f) Use iluminação adequada.
- g) Certifique-se de que a fresa ou lâmina NÃO está em contato com a peça de trabalho, antes de ligar a ferramenta.
- h) Use ambas as mãos quando estiver operando esta ferramenta.
- i) Instale sempre as empunhaduras auxiliares fornecidas com a ferramenta, exceto nos casos em que as instruções digam especificamente o contrário, em certas tarefas.
- j) Não exerça pressão sobre a ferramenta, pois isso poderá reduzir sua vida útil.
- k) As fresas e lâminas ficam quentes durante o uso. Portanto, aguarde esfriarem antes de manuseá-las.
- l) Nunca use as mãos para retirar serragem, aparas ou resíduos próximo à fresa ou lâmina.
- m) Caso você seja interrompido, quando estiver operando a ferramenta, conclua o processo e desligue-a, antes de redirecionar seu olhar.
- n) Sempre que possível, use suportes ou uma morsa para prender a peça de trabalho.
- o) Desconecte sempre a ferramenta da tomada elétrica antes de trocar uma fresa ou lâmina.
- p) Examine o mandril, regularmente, em busca de sinais de desgaste ou danos. Envie as peças danificadas a um centro de assistência técnica qualificado.
- q) Ao concluir o trabalho, desconecte a ferramenta da fonte de alimentação.
- r) Verifique periodicamente se todas as porcas, parafusos e outros elementos de fixação estão apertados, e aperte onde necessário.

Segurança de ferramentas de corte

AVISO. O risco de conectar uma ferramenta a uma fonte de energia elétrica (conector do interruptor de energia da rede, tomada de parede, etc.), certifique-se de que a voltagem de alimentação tem o mesmo valor que o especificado na etiqueta de identificação da ferramenta. Uma fonte de energia com voltagem acima da especificada para a ferramenta poderá resultar em ferimentos graves e danificar a ferramenta. Se estiver em dúvida, não conecte a ferramenta. Usar uma fonte de energia com voltagem abaixo da voltagem nominal, especificada na placa de identificação, poderá ser prejudicial para o motor.

Use a ferramenta de corte correta

- Assegure-se de que a ferramenta de corte é adequada ao trabalho. Não assuma que uma ferramenta é adequada sem antes ler a documentação do produto.

Proteja seus olhos

- Use sempre proteção adequada para os olhos, quando estiver usando ferramentas de corte.
- Óculos comuns não são concebidos para oferecer qualquer proteção quando se usa este produto, pois suas lentes não são resistentes a impactos e podem se despedaçar.

Proteja sua audição

- Use sempre proteção auricular apropriada, quando o ruído da ferramenta ultrapassar 85dB.

Proteja sua respiração

- Assegure-se de que você e os demais à sua volta estão utilizando máscaras contra poeira adequadas.

Proteja suas mãos

- Não deixe suas mãos se aproximarem do disco ou lâminas de corte. Quando trabalhar com com peças de madeira mais curtas, use um extensor e as ferramentas elétricas adequadas.

Esteja ciente de onde estão os outros à sua volta

- É responsabilidade do usuário da máquina garantir que as pessoas que estão na vizinhança do local de trabalho não sejam expostas a ruído e poeiras perigosas e também que estejam usando equipamento de proteção adequado.

Objetos ocultos

- Inspeccione a peça de trabalho e remova todos os pregos e outros objetos embutidos, antes de iniciar o corte.
- Não tente cortar material que contenha objetos embutidos, a menos que a ferramenta de corte instalada em sua máquina seja própria para esse tipo de trabalho.
- Podem existir fiações e tubulações escondidas atrás de paredes, painéis de carrocerias podem esconder tubulações de combustível, e gramados altos podem esconder pedras e vidros. Verifique sempre a área de trabalho antes de prosseguir.

Tome cuidado com o material arremessado pela máquina

- Em algumas situações, os resíduos são arremessados com muita velocidade pela ferramenta. É responsabilidade do usuário garantir que outras pessoas que estejam no local de trabalho estejam protegidas contra a possibilidade de serem atingidas por material arremessado.

Instalação de ferramentas de corte

- Garanta que as ferramentas de corte são instaladas de forma correta e firme e verifique se todas as ferramentas e chaves foram removidas da máquina, antes do uso.
- Use apenas as ferramentas de corte recomendadas para sua máquina.
- Não tente fazer modificações em ferramentas de corte.
- Assegure-se de que as lâminas estão afiadas, em boas condições e corretamente instaladas.
- Não tente amolar lâminas que não forem indicadas para isso. Incluem-se nesse caso lâminas especialmente endurecidas ou lâminas feitas de ligas endurecidas, que tipicamente possuem tungstênio.

- O afiamento das lâminas que puderem ser afiadas deve ser feito de acordo com as instruções do fabricante referentes à respectiva lâmina. Essas instruções poderão definir um número máximo de vezes que a lâmina pode ser afiada.
- As lâminas que podem ser afiadas devem ser inspecionadas de forma mais completa antes do uso, e trocadas imediatamente, caso haja alguma dúvida a respeito de sua adequação ao uso.
- Caso uma lâmina colida com um objeto embutido durante seu uso, para o qual não foi concebida, deve ser substituída imediatamente.

Sentido de alimentação

- Introduza sempre as peças de trabalho na área de corte contra o sentido de movimentação da lâmina ou ferramenta de corte.

Tome cuidado com o calor

- As ferramentas de corte e peças de trabalho podem ficar quentes durante o uso. Não tente trocar as ferramentas até que tenham esfriado completamente

Controle a poeira / serragem

- Não deixe que poeira ou serragem se acumulem. A representa um perigo de incêndio e alguns tipos de limalhas metálicas são explosivas.
- Tome cuidado adicional quando estiver cortando madeira ou metal. As centelhas produzidas pelo corte de metais são uma causa comum de incêndios em madeiras.
- Sempre que possível, use um sistema de coleta e extração de serragem de modo a manter um ambiente de trabalho mais seguro.

⚠️ WARNING

Alguns pós criados por ferramentas elétricas de lixamento, serragem, esmerilhamento perfuração e outras atividades de construção contêm substâncias químicas conhecidas no Estado da Califórnia por provocarem câncer, defeitos congênitos ou outros danos reprodutivos. Alguns exemplos dessas substâncias são:

- Chumbo de tintas à base de chumbo
- Sílica cristalina de tijolos e cimento e de outros produtos de alvenaria e
- Arsênico e cromo, de borrachas quimicamente tratadas

Seu risco a esse tipo de exposição varia em função de quão frequentemente você faz esse tipo de trabalho. Para reduzir sua exposição a essas substâncias: trabalhe em uma área bem ventilada e com os equipamentos de segurança apropriados, tais como máscaras respiratórias, desenvolvidas especialmente para filtrar partículas microscópicas.

Familiarização com o produto

1. Empunhadura auxiliar
2. Botão de trava do eixo
3. Indicador de direção
4. Trava de ângulo
5. Indicador de centro da face
6. Indicador de borda de junta da guia (E)
7. Indicador de centro da lâmina da guia
8. Indicador de borda de junta da guia (D)
9. Borda antiderrapante
10. Indicador de profundidade
11. Bateria da torre
12. Base
13. Batente de profundidade
14. Porca de bloqueio do batente de profundidade
15. Bocal de saída de pó
16. Entrada de ar do motor
17. Interruptor gatilho ON/OFF
18. Empunhadura principal
19. Face
20. Parafuso da empunhadura (x 4)
21. Botão de acesso à lâmina
22. Parafuso da empunhadura auxiliar (x 2)
23. Posicionador (0°, 45° e 90°)
24. Escala angular
25. Indicador de ângulo
26. Indicador de centro de lâmina
27. Escala de altura da guia
28. Abertura da lâmina
29. Botão de trava da guia
30. Guia paralela
31. Tampa da base
32. Lâmina de serra
33. Flange rosqueado da lâmina
34. Ponta do dente da lâmina
35. Indicador de direção

Accessórios (não mostrados): Chave de pino, saco de pó, chave sextavada e caixa

Uso Pretendido

Ferramenta elétrica portátil alimentada por cabo, com pequena lâmina de serra circular para corte de fendas em madeira, para a criação de juntas adequadas à inserção de vários tipos de pedaços de madeira.

Desembalagem da sua ferramenta

- Desembale e inspecione cuidadosamente seu produto. Familiarize-se completamente com todos os recursos e funções
- Certifique-se de que todas as peças do produto estão presentes e em bom estado. Caso estejam faltando peças ou existam peças danificadas, substitua-as primeiro, antes de tentar usar a ferramenta.

Antes do uso

AVISO: Desconecte sempre a ferramenta da fonte de alimentação elétrica, antes de instalar ou remover acessórios, ou fazer quaisquer ajustes.

IMPORTANTE: Assegure-se de que a lâmina está firmemente presa antes da primeira utilização. Consulte a seção 'Troca da lâmina de serra'

Empunhadura auxiliar

- Monte a empunhadura auxiliar (1) usando os parafusos e arruelas da empunhadura auxiliar (22) fornecidos.
- A Empunhadura auxiliar é instalada em uma posição fixa com protuberâncias que se encaixam em cada lado da ferramenta, e o ângulo da empunhadura não pode ser ajustado.

Coleta de pó

- Esta ferramenta deve ser acoplada a um sistema de coleta de pó de oficina ou aspirador de pó através de seu Bocal de coleta de pó (15).
- Caso nenhum desses aparelhos esteja disponível, instale o saco de pó fornecido empurrando-o contra o Bocal de coleta de pó.

Guia de blocos de madeira

Posição de profundidade	No. do bloco	Largura	Comprimento	Espessura	Prof. de corte
0	no. 0	15-16mm (5/8")	44-47mm (1-13/16")	4mm (19/128")	8mm (5/16")
10	no. 10	19mm (13/16")	53-54mm (2-1/16")	4mm (19/128")	10mm (3/8")
20	no. 20	25mm (15/16")	56-60mm (2-5/16")	4mm (19/128")	12,5mm (1/2")
S	no. 20	25mm (15/16")	56-60mm (2-5/16")	4mm (19/128")	13mm (1/2")
D	S6	30mm (1-1/8")	85mm (3-3/8")	4mm (19/128")	14,7-15mm (19/32")
MÁX.	N/A	Máx. profundidade de corte do batente da torre conforme ajustada (18mm (23/32") máx)			
INCOMPATÍVEL	#H9	12mm	38mm	3mm	6-7mm (1/4")
INCOMPATÍVEL	Trítton 7 (BJA050/BJA056)				

- As medidas são aproximadas.

Ajuste da altura de corte

Nota: A fenda para cavilha a ser feita no bloco de madeira, normalmente fica no meio da borda da peça de trabalho, de modo que a altura de corte precisa ser ajustada para metade da espessura do material.

- A altura de corte com a Guia instalada (3) pode ser ajustada entre 0 e 40 mm.

1. Solte o Botão de trava da guia (29)
2. Posicione a guia na altura requerida usando a Escala de altura da guia (27).
3. Aperte o Botão de trava da guia para travar na altura desejada.

Ajuste do ângulo da guia

A Guia (30) possui 90° para ajuste de ângulo, com posições pré-definidas para facilitar o ajuste de cortes nos ângulos de 0°, 45° e 90° (figura C).

Para ajustar o ângulo desejado:

1. Solte a trava de ângulo (4), puxando-a para longe da Face (19).
2. Ajuste a Face no ângulo requerido usando a Escala angular (24) e o Indicador de ângulo (25).
3. Aperte a Trava de ângulo de modo que a Guia fique firme no ângulo desejado.

Nota: Verifique se a guia está firmemente travada na posição, antes de cortar; Caso isto não seja feito, poderão ocorrer danos à máquina ou à peça de trabalho, caso a máquina se mova durante o uso.

Nota: A Escala angular é aproximada; devendo ser usado equipamento de medição de ângulos especial, se necessário.

Nota: Quando usar este saco de pó, remova-o e esvazie-o regularmente. Idealmente, esvazie-o quando estiver meio cheio.

Ajuste da profundidade de corte

A ferramenta possui um batente na torre (11) com 6 posições de profundidade (0, 10, 20, S, D e Máx.) e é capaz de executar uma ampla variedade de cavilhas ou discos em madeira. Consulte o guia sobre blocos de madeira, abaixo.

Recomenda-se calibrar a ferramenta com um pedaço de madeira do tamanho típico com o qual você prosseguirá trabalhando. Um tamanho comum é 6 e no. 10.

1. Selecione a posição '10', girando o Batente da torre (11) até que apareça '10' no Indicador de profundidade (10).
2. Empurre a Empunhadura auxiliar (1) para a frente até que o Batente de profundidade (13) entre em contato com o Batente da torre (figura B), e meça o comprimento da ponta de lâmina que ficou exposta para fora da Fenda da lâmina (28). Assegure-se de que a Ponta do dente da lâmina (34) está à distância máxima da fenda da lâmina, girando a Lâmina de serra (32) para que a Ponta do dente da lâmina fique no meio e, depois, medindo a distância entre a Ponta do dente e a superfície da Fenda da lâmina.
3. A distância medida deve ser igual a 10 mm, para a posição de no. 10, conforme indicado na tabela abaixo. Se for diferente, solte a Porca de bloqueio do batente de profundidade (14) e ajuste o Batente de profundidade para reduzir, ou estender, seu comprimento até ao valor requerido de profundidade de lâmina de 10 mm.
4. Uma vez na posição correta, aperte a Porca de bloqueio do batente de profundidade.

AVISO: Caso este ajuste de profundidade de corte não seja feito corretamente, a peça de trabalho poderá ser danificada.

Nota: As outras posições de profundidade do Batente da torre agora devem estar ajustadas corretamente, sendo que a mais precisa é a que foi usada para calibração.

Nota: Faça sempre um corte de teste em um material descartável, apenas para confirmar que os ajustes estão corretos.

Operação

IMPORTANTE: Recomenda-se o uso das duas mãos na operação desta ferramenta, sempre que possível. Segure a Empunhadura principal (18) da fresadora de junta com uma mão, com um dedo descansando confortavelmente no interruptor gatilho ON/OFF (17) e segure a empunhadura auxiliar (1) com a outra mão, de modo que a ferramenta fique firme em suas mãos.

IMPORTANTE: Verifique se o mecanismo do protetor está funcionando corretamente e suavemente, antes de iniciar o uso da ferramenta.

Acionamento e desligamento

- Para começar a operação, aperte o gatilho ON/OFF (17).
- Solte o gatilho ON/OFF para desligar a ferramenta.

Notas:

- Para fazer furos na peça de trabalho conforme requerido, primeiro ajuste a fresadora de junta de acordo com as instruções 'Antes do Uso', e prepare a(s) peça(s) de trabalho, marcando os pontos a serem perfurados na(s) peça(s) de trabalho com um lápis (Fig. II).
- A ferramenta possui vários indicadores que auxiliam o posicionamento da mesma contra a peça de trabalho. O Indicador de centro da face (5) e o Indicador de centro da lâmina da guia (7), mostram onde está o centro da lâmina. Dois Indicadores de borda de junta da guia (6 e 8) mostram a borda no caso de blocos de madeira maiores, e as bordas externas da lâmina são indicadas na guia. Um Indicador de centro de lâmina (26) na lateral da base indica a posição da altura da lâmina, para uma lâmina de espessura de 4 mm.
- É importante que a(s) peça(s) de trabalho seja(m) marcada(s) corretamente. Poderá ser mais fácil prender, de forma frouxa, as duas peças de trabalho uma na outra, exatamente na posição requerida, e marcá-las ambas com um lápis, fazendo os furos depois disso. Prenda novamente as peças uma na outra de forma frouxa, com uma cavilha inserida, antes de fazer as marcas das próximas cavilhas. Idealmente, é preferível uma posição no meio da madeira para o furo da primeira cavilha.

PT

- Existe uma tolerância quando se unem madeiras, pois os furos podem ser estendidos, se necessário, porém é melhor medir frequentemente e trabalhar com precisão.
 - As cavilhas podem ser colocadas em uma ampla gama de posições quando se unem madeiras com juntas (Fig. I), e se necessário, quando são necessárias juntas em múltiplas faces, podem ser usadas juntas maiores para permitir que uma peça se conecte em várias faces com mais facilidade.
 - A peça de trabalho precisará ser presa à bancada, embora seja possível o uso de um tapete antiderrapante entre a peça e a superfície da bancada, o que será suficiente em alguns casos.
1. Selecione o tamanho correto de junta no Batente da torre (11).
 2. Segure o corpo da máquina com uma das mãos mantendo um dedo no gatilho ON/OFF (17).
 3. Alinhe cuidadosamente as marcas da ferramenta com as marcas de lápis da peça de trabalho e posicione a ferramenta em posição de prontidão para cortar a cavilha.
 4. Posicione a máquina contra a peça de trabalho de modo que a Face (19) e a parte de baixo da Guia (30) fiquem totalmente em contato com a peça de trabalho.
 5. Pressione para baixo na frente da guia com os dedos de sua outra mão, para manter a máquina em posição, e verifique se não existem folgas sob a Face ou no lado de baixo da guia.

Nota: Poderá ser necessário segurar a ferramenta aplicando pressão sobre a Guia (30) (figura H) ao invés de se segurar na empunhadura auxiliar (1), de modo a garantir que a ferramenta permaneça na mesma posição em relação à peça de trabalho.

- Nota:** Também pode ser necessário aplicar pressão, caso você esteja usando um tapete antiderrapante na peça de trabalho, o que irá exigir maior pressão para baixo sobre a peça de trabalho. Só faça isso, caso esteja confortavelmente segurando a ferramenta com apenas uma mão no corpo principal. Idealmente, ambas as mãos devem ser usadas para segurar a ferramenta durante a operação, e a peça de trabalho deve ser presa firmemente contra a superfície de trabalho, para se obter a máxima segurança.
6. Pressione o gatilho ON/OFF (17), espere a lâmina atingir a velocidade normal de operação e empurre o corpo da máquina para a frente de modo que a Lâmina de serra (32) penetre a peça de trabalho (figura H).
 7. Empurre o corpo da máquina para a frente o tanto quanto ela se deslocar, até que encaixe no Batente de profundidade (13) no Batente da torre (11), para criar os furos desejados na peça de trabalho.
 8. Mantendo a ferramenta acionada, deixe que a mesma retorne a sua posição original, retirando a Lâmina de serra da peça de trabalho. Segure a ferramenta firmemente com ambas as mãos enquanto faz esse movimento.
 9. Quando a Lâmina de serra sair da peça de trabalho, solte o gatilho ON/OFF.

Nota: A mola de retorno fará com que o corpo da ferramenta retorne automaticamente para trás, até à posição de repouso, retirando a Lâmina de serra da peça de trabalho ao mesmo tempo em que ainda é aplicada alguma pressão sobre a Face e Guia. O operador deve controlar cuidadosamente a saída da Lâmina de serra, tomando o cuidado de manter a ferramenta exatamente na mesma posição em relação aos orifícios perfurados.

10. Uma vez que a Lâmina de serra esteja fora da peça de trabalho e tenha parado de girar, levante a máquina para longe da peça de trabalho.

Nota: Recomenda-se praticar com a fresadora de juntas primeiro em peças de madeira descartáveis, de modo que o operador possa entender totalmente como funciona a máquina.

Nota: Teste sempre a seco o encaixe das peças que serão unidas, e com as juntas que serão usadas, antes de aplicar a cola de madeira na montagem definitiva, pois a cola fará com que as juntas se expandam ligeiramente, além de colar as duas peças de trabalho e tornar o reencaixe difícil, caso haja algo errado.

Posicionamento

- Para efetuar furos na face de uma peça de trabalho, a máquina precisa ser posicionada em ângulo perpendicular com a respectiva face da peça (figuras D, E e F).
- Recomenda-se que você trabalhe com a máquina inclinada para baixo, na direção do movimento de perfuração, de modo que o peso da máquina atue na direção da operação, em oposição a tentar efetuar furos para cima a partir de uma posição abaixo da peça de trabalho.
- Caso precise fazer um corte muito distante de uma borda (interno ou rebaixo), remova a Guia (30) soltando o Botão de trava da guia (29) e levantando a ferramenta. A fresadora agora poderá descansar verticalmente em uma superfície e ser posicionada de modo livre - mesmo em peças de trabalho grandes (figura A). Assegure-se de que a ferramenta está firme em sua posição, antes de iniciar os cortes. Madeira presa na superfície da peça de trabalho pode ser usada como guia, evitando que a ferramenta se desloque em ambos os eixos.
- Em outros casos, a Guia impedirá os cortes e precisará ser removida (figura G).

Outras fresadoras de junta

Nota: A versatilidade desta ferramenta vai muito além do que é abordado neste manual e o conteúdo aqui apresentado serve apenas como material introdutório a respeito dos recursos e operação da máquina.

Acessórios

Seu revendedor Triton possui uma ampla linha de acessórios à disposição. Peças de reposição podem ser solicitadas ao seu revendedor Triton, ou através do site: www.toolsparsonline.com.

Manutenção

AVISO: Desconecte SEMPRE a ferramenta da fonte de alimentação, antes de limpá-la ou de realizar qualquer manutenção.

- Inspeção o cabo de energia da ferramenta, antes de cada utilização, em busca de desgaste ou danos. Reparos devem ser realizados por um Centro de Serviços Autorizado da Triton. E isto também se aplica aos cabos de alimentação elétrica da ferramenta.

Inspeção geral

- Verifique regularmente se todos os parafusos de montagem estão apertados. Eles podem se soltar com o tempo devido à vibração.

Lubrificação

- Lubrifique todas as peças móveis com um aerossol lubrificante adequado, em intervalos regulares.

Troca da lâmina de serra

AVISO: Use SEMPRE luvas adequadas à prova de cortes quando manusear lâminas de serra.

IMPORTANTE: Nunca instale lâminas de serra danificadas, muito gastas ou cegas.

IMPORTANTE: A RPM da lâmina de serra deve ser compatível, ou exceder, a velocidade sem carga da ferramenta (ver especificação).

1. Vire a ferramenta de cabeça para baixo, com o fundo da Base (12) virado para cima.
2. Desaparafuse o Botão de acesso à lâmina (21) até que a Tampa da base (31) possa ser erguida. Assegure-se de que a Guia (30) está em uma altura longe da Base.
3. Pressione o Botão de trava do eixo (2) e use a chave de pino fornecida para remover o Flange rosqueado da lâmina (33).
4. Remova a lâmina da serra (32).
5. Insira uma nova Lâmina de serra de tipo e dimensões idênticas à original (Consultar a Especificação).

AVISO: Observe SEMPRE o sentido de rotação indicado pelo Indicador de direção (35 e 3).

6. Reinstale o Flange rosqueado da lâmina, pressione o Botão de trava do eixo e aperte o Flange rosqueado da lâmina com a chave de pino.
7. Solte o Botão de trava do eixo, abaixe a Tampa da base e reaperte o Botão de acesso à lâmina.

Limpeza

AVISO: Use SEMPRE equipamento de proteção, incluindo proteção ocular e luvas, quando limpar esta ferramenta.

- Mantenha sua ferramenta limpa o tempo todo. A sujeira e o pó produzem desgaste acelerado das peças internas e encurtam a vida útil da ferramenta.
- Limpe o corpo de sua ferramenta com uma escova macia e pano seco.
- Nunca use agentes cáusticos para limpar peças plásticas. Caso não seja suficiente uma limpeza seca, recomenda-se o uso de um pano úmido com detergente suave.
- Água não deve nunca entrar em contato com a ferramenta.
- Assegure-se de que a ferramenta está completamente seca, antes de usá-la.
- Se houver ar comprimido disponível, use-o para soprar a sujeira nos orifícios de ventilação (onde aplicável).

Escovas

- Com o tempo, as escovas de carbono do motor poderão ficar gastas.
- Escovas excessivamente gastas, podem causar perda de potência, falhas intermitentes, ou centelhamento visível.

Para trocar as escovas;

1. Remova os parafusos manuais (20) que prendem o alojamento da empunhadura principal (18).
 2. Remova os dois lados com cuidado, assegurando-se de não puxar ou danificar os cabos.
 3. Use uma chave de fenda para pressionar com cuidado a pequena fenda na frente, indicada pela seta inferior (figura I).
 4. Pressione cuidadosamente no outro lado da base da escova, como indicado pela seta superior e, então, remova com cuidado a escova de seu alojamento.
 5. Remova ambas as escovas de carbono gastas, substituindo-as por novas (Figura J), garantindo que as pequenas saliências na parte interna da ferramenta fiquem corretamente alinhadas com as novas escovas (Figura K).
 6. Reinstale o alojamento com cuidado e, depois, insira e aperte os parafusos manuais.
- Alternativamente, leve a máquina a um Centro de Serviço Autorizado pela Triton.

Nota: Troque sempre as escovas de carbono aos pares.

Descarte

Cumpra sempre as leis nacionais ao descartar ferramentas elétricas que não funcionam mais e cujo reparo não é mais viável.

- Não descarte ferramentas elétricas, ou outros equipamentos elétricos e eletrônicos (WEEE) no lixo doméstico.
- Contate a autoridade local de eliminação de resíduos para saber o modo correto de descartar ferramentas elétricas.

Garantia

Para registrar sua garantia, visite nosso site em www.tritontools.com* e cadastre suas informações.

Registro de compra

Data de compra: ___ / ___ / ____

Modelo: TBJ001 Retenha sua nota fiscal como comprovante de compra.

A Triton Precision Power Tools garante ao comprador deste produto que se qualquer peça estiver comprovadamente defeituosa devido a falhas de material ou mão de obra durante os próximos 3 anos a partir da data da compra original, Triton irá reparar ou, a seu critério, substituir a peça defeituosa sem custo.

Esta garantia não se aplica ao uso comercial nem se estende ao desgaste normal ou a danos decorrentes de acidente, abuso ou uso indevido.

* Registre-se online dentro de 30 dias após a compra.

Termos e condições aplicáveis.

Isto não afeta seus direitos legais.

PT

Tłumaczenie oryginalnej instrukcji

Wprowadzenie

Dziękujemy za zakup narzędzia marki Triton. Zalecamy zapoznać się z niniejszymi instrukcjami: zawierają one informacje niezbędne dla bezpiecznej i wydajnej obsługi produktu. Produkt posiada szereg unikalnych funkcji, dlatego też, nawet, jeśli jesteś zaznajomiony z podobnymi produktami, przeczytanie instrukcji obsługi umożliwi Ci pełne wykorzystanie tego wyjątkowego projektu. Przechowuj niniejsze instrukcje w zasięgu ręki i upewnij się, że użytkownicy narzędzia przeczytali i w pełni zrozumieli wszystkie zalecenia.

Opis symboli

Tabliczka znamionowa zawiera symbole dotyczące narzędzia. Stanowią one informacje o produkcie bądź instrukcje dotyczące jego zastosowania.



Należy nosić środki ochrony słuchu
Należy nosić okulary ochronne
Należy nosić środki ochrony dróg oddechowych
Należy używać kasku ochronnego



Należy nosić rękawice ochronne



Należy w całości przeczytać instrukcję obsługi



Ostrzeżenie: Ostre zęby/ostrze



NIE WOLNO korzystać z urządzenia w przypadku deszczu lub w wilgotnym środowisku!



Należy zawsze odłączyć od zasilania elektrycznego, podczas regulacji, wymiany akcesoriów, czyszczenia, konserwacji oraz gdy nie jest w użytku!



Wymagana, bądź zalecana ekstrakcja pyłu



STRZEŻENIE: Ruchome części mogą spowodować obrażenia ciała w postaci zmiażdżeń i ran ciętych



Uwaga!



Instrukcja klasy II (ładowarka)



Ochrona środowiska
Nie należy wyrzucać zużytych produktów elektrycznych wraz z odpadami komunalnymi. Jeśli jest to możliwe, należy przekazać produkt do punktu recyklingu. W celu uzyskania wskazówek dotyczących recyklingu należy skontaktować się z władzami lokalnymi lub sprzedawcą.



Urządzenie zgodne z odpowiednimi przepisami i normami bezpieczeństwa

Kluczowe skróty techniczne

V	Wolt	DC	Direct current
~, AC	Prąd przemienny	W, kW	Wat, kilowatt
A, mA	Amper, milli-Amp	/min or min ⁻¹	obroty lub ruch postępowo zwrótny na minutę
n0	Prędkość bez obciążenia	dB(A)	Poziom hałasu w decybelach (A mierzony)
n	Prędkość znamionowa	m/s ²	Metry na sekundę do kwadratu (wartość drgań)
°	Stopnie		
Ø	Średnica		
Hz	Herc		

Dane techniczne

Nr modelu:	TBJ001
Napięcie elektryczne:	230V~ 50Hz
Moc wejściowa:	760 W
Prędkość bez obciążenia:	11 600 min ⁻¹
Zakres kąta prowadnicy:	0 - 90°
Maksymalna głębokość cięcia:	18 mm (23/32")
Średnica bitu:	Ø100 (4")
Bit:	Ø 100 x Ø22 x 3.92 mm x 6T
Otwór:	Ø 22 mm
Regulacja wysokości :	0 - 40mm (0 - 1-9/16")
Stopień ochrony :	IP20
Klasa ochrony:	
Długość przewodu :	3 m (9' 10")
Wymiary (Dł. x Szer. x Wys.):	460 x 138 x 145 mm
Waga:	2,65 kg
W wyniku nieprzerwanego procesu rozwojowego produktów specyfikacje produktów Triton mogą ulec zmianie bez uprzedniego powiadomienia.	
Parametry emisji dźwięku i wibracji:	
Poziom ciśnienia akustycznego L _{PA} :	92 dB(A)
Poziom mocy akustycznej L _{WA} :	103 dB(A)
Niepewność pomiaru K:	3 dB
Wartość emisji wibracji:	3,27 m/s ²
Niepewność pomiaru	1,5 m/s ²
Poziom natężenia dźwięku dla operatora może przekroczyć 85dB(A) dlatego konieczne jest zastosowanie środków ochrony słuchu.	

OSTRZEŻENIE: Jeżeli poziom hałasu przekracza 85dB(A) należy zawsze stosować środki ochrony słuchu oraz, jeśli to konieczne, ograniczyć czas narażenia słuchu na nadmierny hałas. Jeśli poziom hałasu powoduje dyskomfort, nawet w przypadku zastosowania środków ochrony słuchu, należy niezwłocznie przestać korzystać z narzędzia i sprawdzić, czy środki ochrony słuchu są prawidłowo zamontowane i zapewniają odpowiedni poziom tłumienia dźwięku w odniesieniu do poziomu hałasu wytwarzanego przez narzędzie.

OSTRZEŻENIE: Narażenie użytkownika na wibracje podczas korzystania z narzędzia może spowodować utratę zmysłu dotyku, drętwienie, mrowienie i zmniejszenie zdolności uchwyty. Długotrwale narażenie może prowadzić do stanu przewlekłego. Jeśli jest to konieczne, ogranicz czas narażenia na wibracje i stosuj rękawice antywibracyjne. Nie korzystaj z urządzenia w trybie ręcznym w temperaturze niższej niż normalna komfortowa temperatura otoczenia, ponieważ zwiększy to efekt wywołany przez wibrację. Skorzystaj z wartości liczbowych podanych w specyfikacji dotyczącej wibracji, aby obliczyć czas trwania i częstotliwość pracy z narzędziem.

Poziom hałas i drgań w specyfikacji określone są zgodnie z normą EN60745 lub podobnymi normami międzynarodowymi. Wartości te reprezentują korzystanie z urządzenia w normalnych warunkach roboczych. Niebada konserwacja, nieprawidłowy montaż lub nieprawidłowe użytkowanie urządzenia mogą spowodować wzrost poziomu hałasu oraz wibracji. www.osha.europa.eu dostarcza informacji na temat poziomów hałasu i wibracji w środowisku pracy, które mogą być przydatne dla użytkowników prywatnych, korzystających z urządzenia przez długi czas.

Ogólne instrukcje dotyczące bezpieczeństwa

OSTRZEŻENIE Przeczytaj wszystkie ostrzeżenia i instrukcje bezpieczeństwa. Nieprzestrzeżenie ostrzeżeń i instrukcji może prowadzić do porażenia prądem, pożaru i / lub poważnych obrażeń.

OSTRZEŻENIE: Urządzenie nie jest przeznaczone do użytkowania przez osoby (w tym dzieci) o ograniczonej sprawności fizycznej lub umysłowej, lub o braku doświadczenia i wiedzy, chyba, że będą one nadzorowane lub zostaną poinstruowane na temat korzystania z urządzenia przez osobę odpowiedzialną za ich bezpieczeństwo. Należy pilnować, aby dzieci nie próbowały korzystać z urządzenia, jako zabawki.

Zachowaj wszystkie ostrzeżenia i instrukcje na przyszłość.

Termin „elektronarzędzie” odnosi się do urządzenia zasilanego sieciąwo (przewodowego) lub urządzenia zasilanego za pomocą baterii (beprzewodowego).

1) Bezpieczeństwo obszaru pracy

a) **Zadbaj o prawidłową higienę i prawidłowe oświetlenie obszaru pracy.** Zaniedbanie lub brak wystarczającego oświetlenia obszaru pracy mogą doprowadzić do wypadków.

b) **Nie należy używać elektronarzędzi w przestrzeniach zagrożonych wybuchem, np. w obecności łatwopalnych cieczy, gazów lub pyłów.** Urządzenia elektryczne wytwarzają iskry, które mogą podpaść pył lub opary.

c) **Nie dopuszczaj dzieci ani innych osób do obszaru pracy elektronarzędzi.** Nieuwaga może spowodować utratę kontroli.

2) Bezpieczeństwo elektryczne

a) **Wtyczka elektronarzędzia musi pasować do gniazda zasilania.** Nie wolno modyfikować wtyczki w żaden sposób. W przypadku elektronarzędzi z uzmiennieniem nie należy stosować przejściówek. *Oryginalne wtyczki i pasujące gniazda zmniejszają ryzyko porażenia prądem.*

b) **Unikaj dotykania uzmiennionych powierzchni, takich jak rury, grzejniki, piece i lodówki.** Uziemięcie ciała powoduje zwiększenie ryzyka porażenia prądem.

c) **Nie wystawiaj elektronarzędzi na działanie deszczu lub wilgoci.** Przedostanie się wody do urządzenia zwiększa ryzyko porażenia prądem.

d) **Nie należy nadwyręzać kabla.** Nigdy nie używaj go do przenoszenia, przeciągania lub odłączania elektronarzędzia. Trzymaj przewód z dala od źródeł ciepła, oleju, ostrych krawędzi lub ruchomych części urządzenia. Uszkodzone lub poplątane kable zwiększają ryzyko porażenia prądem.

e) **W przypadku korzystania z urządzenia na wolnym powietrzu używaj przedłużacza przystosowanego do używania na zewnątrz.** Korzystanie z przedłużacza przystosowanego do używania na zewnątrz zmniejsza ryzyko porażenia prądem.

f) **W przypadku korzystania z elektronarzędzia w miejscu o dużym natężeniu wilgoci należy używać gniazda zasilania wyposażonego w wyłącznik różnicowoprądowy (RCD).** Korzystanie z wyłącznika różnicowoprądowego zmniejsza ryzyko porażenia prądem.

g) **W przypadku korzystania z urządzenia w Australii lub Nowej Zelandii, zalecane jest zasilanie urządzenia TYLKO z wykorzystaniem wyłącznika różnicowoprądowego (RCD) o znamionowym prądzie różnicowym nie przekraczającym 30 mA.**

3) Bezpieczeństwo osobiste

a) **Podczas korzystania z elektronarzędzi bądź czujny, uważaj, co robisz i zachowaj zdrowy rozsądek.** Nie używaj ich, gdy jesteś zmęczony albo pod wpływem narkotyków, alkoholu lub leków. *Chwilna nieuwagi podczas obsługi urządzenia może spowodować poważne obrażenia ciała.*

b) **Korzystaj ze środków ochrony osobistej. Zawsze stosuj środki ochrony oczu.** Wyposażenie ochronne, takie jak maska przeciwpyłowa, obuwie robocze antypoślizgowe na szorstkiej podszewce, kask ochronny lub nasznik ochronny używane w odpowiednich warunkach, zmniejsza ryzyko obrażeń.

c) **Zapobiegaj przypadkowemu włączeniu urządzenia. Przed podłączeniem do źródła zasilania i / lub akumulatora, podnoszeniem lub przenoszeniem narzędzia, upewnij się, że przełącznik zasilania znajduje się w pozycji wyłączonej.** Przenoszenie urządzenia z palcem umieszczonym na wyłączniku zasilania lub podłączanie elektronarzędzi przy włączonym przełączniku zasilania stwarza ryzyko wypadku.

d) **Przed włączeniem elektronarzędzia usuń z niego wszelkie klucze regulacyjne.** *Narzędzie lub klucz pozostawiony w obracającej się części elektronarzędzia może spowodować obrażenia ciała.*

e) **Nie wychylaj się.** W każdej chwili zachowaj odpowiednią pozycję i równowagę. *Umożliwia to lepszą kontrolę nad elektronarzędziem w nieoczekiwanych sytuacjach.*

f) **Noś odpowiednią odzież.** Nie zakładaj do pracy z elektronarzędziem luźnej odzieży ani biżuterii. Trzymaj włosy, odzież i rękawice z dala od ruchomych części urządzenia. *Luźne ubranie, biżuteria lub długie włosy mogą zostać wciągnięte przez ruchome części urządzenia.*

g) **Jeśli do zestawu załączone są urządzenia do podłączania mechanizmów odsysania i zbierania pyłu, sprawdź czy są one przyłączone i prawidłowo zamocowane.** *Korzystanie z urządzenia odsysającego pył może zmniejszyć zagrożenie pyłami.*

4) Użytkowanie i pielęgnacja elektronarzędzi.

a) **Nie należy przeciążać urządzenia.** Używaj narzędzi odpowiednich do danego zastosowania. *Prawidłowe narzędzie wykona zadanie lepiej i bezpieczniej w podanym zakresie sprawności.*

b) **Nie należy używać urządzenia, jeśli nie można go wyłączyć lub wyłączyć za pomocą odpowiedniego przełącznika.** *Urządzenia, które nie mogą być kontrolowane za pomocą przełącznika są niebezpieczne i muszą zostać oddane do naprawy.*

c) **Przed dokonaniem regulacji, wymiana akcesoriów lub przechowywaniem elektronarzędzia odłącz wtyczkę od źródła zasilania i / lub akumulator od urządzenia.** *Te prewencyjne środki bezpieczeństwa zmniejszają ryzyko przypadkowego uruchomienia elektronarzędzia.*

d) **Nie używaj elektronarzędzi przechowyw w miejscu niedostępnym dla dzieci i nie dopuszczaj do nich osób nie znających elektronarzędzi lub ich instrukcji obsługi.** *Elektronarzędzia stanowią niebezpieczeństwo w rękach niedoświadczonych użytkowników.*

e) **Przeprowadzaj konserwację elektronarzędzi.** Sprawdź urządzenie pod kątem nieprawidłowego ustawienia lub zablokowania elementów ruchomych, pęknięć części lub innych usterek, które mogą mieć negatywny wpływ na funkcjonowanie urządzenia. *W przypadku usterek należy naprawić urządzenie przed ponownym użyciem. Niewłaściwa konserwacja elektronarzędzi jest przyczyną wielu wypadków.*

f) **Utrzymuj narzędzia tnące w czystości i dobrze naostrzone.** *Zdane narzędzia tnące z ostrymi krawędziami tnącymi rządzidła się zacinają i łamią nimi sterować.*

g) **Używaj elektronarzędzia, akcesoria, końcówki itp. zgodnie z tymi instrukcjami, biorąc pod uwagę warunki pracy i realizowane zadania.** *Używanie narzędzi do wykonywania prac niezgodnych z ich przeznaczeniem może doprowadzić do niebezpiecznych sytuacji.*

5) Serwis

a) **Urządzenie powinno być serwisowane przez wykwalifikowany personel naprawczy przy użyciu wyłącznic oryginalnych części zamiennych.** *Zagwarantuje to bezpieczeństwo elektronarzędzia.*

Bezpieczeństwo korzystania z frezarki do łączników płaskich i kołkowych Safety



WARNING!

- **Bity i ostrza do frezarki muszą posiadać prędkość znamionową, przynajmniej odpowiadającą prędkości urządzenia.** *Ostrza i bity przekraczające prędkość znamionową mogą wyłecić z urządzenia i rozpaść się na kawałki powodując obrażenia.*
- **Należy zawsze korzystać z osłony bądź funkcji bezpieczeństwa wbudowanych w urządzenie.** *ochroni to operatora przed kawałkami ostrza bądź bitu i przypadkowym kontaktem z tarczą.*
- **Hold power tool by insulated gripping surfaces, because the cutter may contact its own cord.** *Cutting a "live" wire may make exposed metal parts of the power tool "live" and could give the operator an electric shock.*
- **Nie należy zezwolić nikomu poniżej 18 roku życia na korzystanie z powyższego narzędzia, przy czym należy się upewnić, że wszyscy użytkownicy zostali zapoznani z instrukcją obsługi i zasadami bezpieczeństwa.**
- **Jeśli konieczna jest wymiana przewodu zasilania, musi on zostać wymieniony przez producenta, bądź jego agenta, w celu uniknięcia ryzyka bezpieczeństwa.**

PL

- Zalecane jest zasilanie urządzenia TYLKO z wykorzystaniem wyłącznika różnicowoprądowego (RCD) o znamionowym prądzie różnicowym nieprzekraczającym 30 mA.

OSTRZEŻENIE: Nie wolno używać tępych bądź uszkodzonych tarczy

OSTRZEŻENIE: Przed użyciem należy sprawdzić prawidłowe funkcjonowanie układu osłony systemu chowania.



Używać odpowiedniej ochrony dróg oddechowych: Korzystanie z powyższego urządzenia, powoduje emisję pyłu, który może zawierać substancje chemiczne, znane, jako przyczyna raka, wad wrodzonych oraz innych zaburzeń procesu reprodukcyjnego. Niektóre drewno zawiera środki konserwujące, takie jak arsenian miedzi i chromu (CCA), które mogą być toksyczne. Podczas szlifowania, wiercenia lub cięcia takich materiałów należy podjąć dodatkowe środki ostrożności, jednocześnie unikając wdychania oparów i zminimalizowania kontaktu ze skórą.

- Przedkuchacze stosowane do powyższego urządzenia muszą być całkowicie rozwinięte. Minimalny przekrój przewodu to: 1,0 mm²
- Podczas korzystania z urządzenia na zewnątrz, należy podłączyć maszynę do zasilania z RCD i minimalnym przedkuchaczem 1,5 mm² z wtyczką odporną na wodę
- Upewnij się, że ostrze bądź bity są bezpiecznie zamocowane przed rozpoczęciem użytkowania. Niezabezpieczone oprzyrządowanie może zostać wyrzucone z maszyny powodując ryzyko obrażenia
- Należy zawsze odczekać zanim urządzenie całkowicie się zatrzyma, przed jego odłożeniem
- Podczas korzystania z narzędzia, należy stosować wyposażenie ochronne, w tym: okulary ochronne, osłonę, nasłuchniki przeciwhałasowe, odzież ochronną, włączając rękawice. Ponadto należy pamiętać o noszeniu maski przeciwpyłowej, zwłaszcza, jeśli wiercenie powoduje powstanie pyłu
- Upewnij się, że posiadasz odpowiednie oświetlenie
- Upewnij się, że ostrze, czy też wiertło nie dotyka powierzchni obróbki przed jego uruchomieniem
- Używać obydwu rąk podczas obsługi urządzenia
- Należy zawsze zainstalować rękawicę dodatkową, jeśli takowa została dołączona do zakupu, wyjątkiem jest niestosowanie jej w przypadkach określonych przez instrukcje obsługi
- Nie stosuj nacisku na urządzenie, takie działanie może spowodować skrócenie eksploatacji narzędzia
- Wiertła i ostrza mogą stać się gorące podczas obsługi, należy odczekać na ich schłodzenie przed ponownym użyciem
- Nigdy nie używaj rąk do usunięcia pyłu, strużyn bądź innych odpadów, które znajdują się w pobliżu ostrza, bądź wiertła
- W przypadku przerwania pracy operatora, należy dokończyć rozpoczęty proces, przed zwróceniem uwagi na czynnik rozpraszający
- W miarę możliwości korzystaj z ściśków bądź imadła, w celu przytrzymania przedmiotu obróbki
- Należy zawsze odłączyć narzędzie od zasilania przed wymianą bitu
- Należy regularnie przeprowadzać kontrolę ostrza i bitu, pod względem śladów zużycia, bądź uszkodzenia. Zaś uszkodzone elementy należy zreperować, przez wykwalifikowane centrum serwisowe
- Po zakończeniu pracy, należy odłączyć urządzenie od zasilania
- Okresowo, należy sprawdzać wszystkie wkręty, śrubki i nakrętki oraz inne element mocujące i dokręcić w razie potrzeby

Bezpieczeństwo korzystania z narzędzi tnących

OSTRZEŻENIE. Przed podłączeniem urządzenia do źródła zasilania upewnij się, że napięcie zasilania jest takie samo, jak podano na tabliczce znamionowej urządzenia. Źródło zasilania o napięciu większym niż określono dla narzędzia może spowodować poważne szkody dla użytkownika i uszkodzenia narzędzia. W razie wątpliwości, nie należy podłączać urządzenia. Przy użyciu źródła energii o napięciu mniejszym niż wartość znamionowa, może dojść do uszkodzenia silnika.

Użytkowanie odpowiedniego narzędzia tnącego

- Należy się upewnić, że narzędzie tnące jest odpowiednie do danej pracy. Nie wolno zakładać, że narzędzie jest odpowiednie bez sprawdzenia dokumentacji produktu przed zastosowaniem.

Ochrona oczu

- Zawsze należy nosić odpowiednie środki ochrony oczu podczas korzystania z narzędzi tnących
- Okulary do czytania nie zapewniają żadnej ochrony podczas korzystania z narzędzia; zwykłe soczewki nie są odporne na uderzenia i mogą ulec zniszczeniu

Ochrona słuchu

- Zawsze należy nosić odpowiednie środki ochrony słuchu podczas korzystania z narzędzi, których poziom natężenia dźwięku może przekroczyć 85dB

Ochrona dróg oddechowych

- Należy się upewnić o własnym oraz osób przebywających wokół o posiadaniu odpowiednich środków ochrony dróg oddechowych

Ochrona dłoni

- Nie pozwól na zbliżenie dłoni do obracającego się ostrza, wiertła, czy tarczy. Należy użyć odpowiedniego "popychacza" do krótszych materiałów obróbki z odpowiednim elektronarzędziem

Świadomość innych osób przebywających wokół

- Obowiązkiem operatora jest upewnić się o nie narażeniu osób znajdujących się w pobliżu obszaru roboczego na hałas lub kurz i wyposażeniu ich w odpowiedni sprzęt ochronny

Ukryte przedmioty

- Należy sprawdzić przedmiot roboczy i usunąć wszystkie gwoździe i inne obiekty osadzone w przedmiocie przed rozpoczęciem cięcia
- Nie wolno ciąć przedmiotu, który posiada osadzone obiekty, wyjątkiem są narzędzia, które nadają się do takiej pracy
- Ściany mogą ukrywać okablowanie, rury odpływowe, panele nadwozia przewody paliwowe, zaś wysoka trawa kamienie i szkło. Należy, więc zawsze przed rozpoczęciem pracy dokładnie sprawdzić obszar roboczy.

Uwaga na wyrzucane odpady

- W niektórych przypadkach materiał odpadowy może być wyrzucany z prędkością narzędzia tnącego. Obowiązkiem operatora jest ochrona wszystkich osób znajdujących się wokół przed wyrzucanym materiałem odpadowym

Montaż akcesoriów tnących

- Należy się upewnić, że narzędzie tnące zostało prawidłowo zmontowane, a klucze i inne regulatory zostały usunięte przed rozpoczęciem pracy
- Należy używać tylko zalecanych akcesoriów dla danego urządzenia
- Nie wolno podejmować prób modyfikacji narzędzi skrawających

Kierunek wprowadzania materiału

- Należy wprowadzać materiał w stronę ostrza/tarczy w kierunku przeciwnym do ruchu ostrza

Uwaga na emisję ciepła

- Narzędzia tnące i obrabiane przedmioty nagrzewają się podczas użytkowania. Nie wolno dokonywać próby wymiany narzędzia do jego całkowitego ostygnięcia

Kontrola odpadów

- Nie wolno dopuścić do spleźnienia się kurzu i materiału odpadowego. Trociny są zagrożeniem pożarowym, zaś niektóre metalowe opiłki są wybuchowe
- Należy zachować szczególną ostrożność podczas cięcia drewna i metalu. Wydobywające się iskry w trakcie cięcia elementów metalowych są częstą przyczyną pożarów pozostałych trocin i innych odpadów drewnianych
- W miarę możliwości należy używać systemu odsysania pyłu w celu zapewnienia bezpiecznego środowiska pracy

Przedstawienie produktu

- Uchwyty dodatkowe
- Przycisk blokady wrzeciona
- Wskaźnik kierunku
- Blokada kąta
- Wskaźnik środka
- Wskaźnik krawędzi łącznika (L)
- Wskaźnik środka tarczy
- Wskaźnik krawędzi łącznika (P)
- Antypoślizgowa podkładka
- Wskaźnik głębokości
- Ogranicznik wieżyczkowy
- Podstawa
- Ogranicznik głębokości
- Nakrętka blokady ogranicznika głębokości
- Port odsysania pyłu
- Otwory wentylacyjne silnika
- Przełącznik spustowy ON/OFF
- Uchwyt główny
- Płyta czołowa
- Wkręty uchwyty (x 4)
- Pokrętko dostępu do tarczy
- Śruba uchwyty dodatkowego (x 2)
- Przystanki kątowe (0°, 45° i 90°)
- Miara kąta
- Wskaźnik kąta
- Wskaźnik środka tarczy
- Miara wysokości przewodnicy
- Szczelina tarczy
- Pokrętko blokady przewodnicy
- Przewodnica
- Pokrywa podstawy
- Tarcza tnąca
- Gwintowany kołnierz tarczy

34. Zęby tarczy
35. Wskaźnik kierunku

Akcesoria (nieprzedstawiona na ilustracji) : klucz oczkowy, torba na pył, klucz sześciokątny oraz futerał

Zastosowanie zgodne z przeznaczeniem

Przenośne zasilane sieciowo urządzenie z małą tarczą tnącą przeznaczoną do wycinania szczelin w drewnie na łączniki płaskie.

Rozpakowanie narzędzia

- Ostrożnie rozpakuj i sprawdź narzędzie. Zapoznaj się ze wszystkimi mechanizmami i funkcjami.
- Upewnij się, że narzędzie zawiera wszystkie części i są one w dobrym stanie. Jeśli brakuje pewnych części lub są one uszkodzone, należy uzupełnić lub wymienić je przed rozpoczęciem korzystania z narzędzia.

Przygotowanie do eksploatacji

OSTRZEŻENIE: Należy się upewnić, że urządzenie jest odłączone od źródła zasilania przed montowaniem, wymianą akcesoriów, bądź dokonaniem jakichkolwiek regulacji.

WAŻNE: Upewnij się, że tarcza tnąca została prawidłowo zamontowana przed pierwszym użyciem. Patrz podrozdział "Wymiana tarczy tnącej"

Uchwyt dodatkowy

- Zamontuj uchwyt dodatkowy (1) korzystając ze śrub do uchwytu dodatkowego (22) oraz podkładek
- Pomocniczy uchwyt jest zamontowany w stałej pozycji, z wypustkami, które wchodzi w każdą stronę narzędzia, a ką uchwytu nie może być regulowany

Łączniki płaskie

Znakowanie	Łącznik	Szerokość	Długość	Grubość	Głębokość cięcia
0	#0	15-16mm (5/8")	44-47mm (1-13/16")	4mm (19/128")	8mm (5/16")
10	#10	19mm (13/16")	53-54mm (2-1/16")	4mm (19/128")	10mm (3/8")
20	#20	25mm (15/16")	56-60mm (2-5/16")	4mm (19/128")	12.5mm (1/2")
S	#20	25mm (15/16")	56-60mm (2-5/16")	4mm (19/128")	13mm (1/2")
D	S6	30mm (1-1/8")	85mm (3-3/8")	4mm (19/128")	14.7-15mm (19/32")
MAX	N/A	Ogranicznik wieżyczkowy na maksymalnej głębokości cięcia (18mm (23/32") max)			
NIE KOMPATYBILNY	#H9	12mm	38mm	3mm	6-7mm (1/4")
NIE KOMPATYBILNY	Triton 7 (BJA050/BJA056)				

• Wymiary są podane w przybliżeniu

Regulacja głębokości cięcia

UWAGA: Wyłobienie dla łączników płaskich jest z reguły po środku krawędzi obrabianego materiału, tak, więc wysokość cięcia musi być wyregulowana do połowy grubości materiału.

- Wysokość cięcia z zainstalowaną prowadnicą (30) może być regulowana między 0 – 40 mm.
- Zwolnij pokrętko blokady prowadnicy (29)
 - Ustaw prowadnicę na wymaganą wysokość korzystając ze skali wysokości prowadnicy (27)
 - Przykręć pokrętko blokady prowadnicy na wybranej wysokości to

Ustawienie prowadnicy kątownej

Prowadnica (30) posiada regulację kątową 90° z przystankami kątowymi do szybkiego i łatwego ustawienia kąta cięcia 0°, 45° oraz 90° (Zdjęcie C).

Abi ustawić wymagany kąt cięcia, należy:

- Zwolnij blokadę kąta (4) poprzez pociągnięcie z dala od płyty czołowej (19)
- Dostosuj płytę czołową na wymagany kat dzięki mierze kąta (24) oraz wskaźnikowi kąta (25)
- Przykręć blokadę kąta, tak, aby prowadnica została zablokowana pod żądanym kącie

Uwaga: : Sprawdź czy prowadnica została bezpiecznie zablokowana, przed przystąpieniem do cięcia ; nieprzestrzeganie powyższych zaleceń może skutkować uszkodzeniem przedmiotu obróbki, bądź maszyny, jeśli prowadnica będzie się poruszać podczas pracy

Odsysanie pyłu

- Niniejsze urządzenie powinno być podłączone do warsztatowego systemu odsysania pyłu, bądź odkurzacza poprzez port odsysania pyłu (15)
- Jeśli obydwie metody nie są możliwe, dołączona w komplecie torba na pył, musi zostać zamontowana, poprzez wciśnięcie w port odsysania pyłu

Uwaga: W przypadku korzystania z torby na pył, należy ją regularnie opróżniać i czyścić. Zaleca się opróżnianie worka, kiedy jest w połowie pełny.

Dostosowanie głębokości cięcia

Maszyna jest wyposażona w ogranicznik wieżyczkowy (11) z 6 głębokościami (0, 10, 20, S, D i Max) i wspiera szeroki zakres łączników płaskich.

Zaleca się skalibrowanie urządzenia używając rozmiaru łącznika. Typowy rozmiar łącznika to #10.

- Ustaw ogranicznik wieżyczkowy (11) na rozmiar 10 dopóki '10' nie zostanie wskazany na wskaźniku głębokości (10)
- Pchnij uchwyt dodatkowy (1) dopóki ogranicznik głębokości (13) nie dotknie ogranicznika wieżyczkowego (Zdjęcie B) i zmierz długość wystającej części tarczy ze szczeliny tarczy (28). Upewnij się, że ząb tarczy (34) jest w maksymalnej odległości od szczeliny przez obrócenie tarczy tnącej (32) a tym samym jest wyśrodkowany, kolejno należy zmierzyć odległość od zębów tarczy tnącej do szczeliny
- Pomiar powinien wynosić 10 mm dla rozmiaru #10 jak wskazano na tabeli poniżej. Jeśli istnieje jakaś różnica, należy odkręcić nakrętkę blokady ogranicznika głębokości (14) i wyregulować ogranicznik głębokości w celu zmniejszenia bądź wydłużenia długości wymaganej dla 10 mm głębokości tarczy
- Po zakończeniu ustawień należy dokręcić nakrętkę blokady ogranicznika głębokości

OSTRZEŻENIE: Nie zastosowanie się do ustawienia poprawnych regulacji może doprowadzić do uszkodzenia obrabianego elementu.

Uwaga: Inny rozmiar głębokości na Ograniczniku wieżyczkowym, będzie poprawnie ustawiony dla innych kalibracji.

Uwaga: Zawsze należy dokonać próbnego cięcia na kawałku niepotrzebnego materiału, w celu potwierdzenia poprawności ustawień.

Uwaga: Miara kąta jest podana w przybliżeniu; skorzystaj z dodatkowego pomiaru kąta w celu dokładnego sprawdzenia kąta prowadnicy

Obsługa

WAŻNE: Zawsze korzystaj z obu rąk podczas obsługi urządzenia. Trzymaj uchwyt główny (18) o w jednej ręce, z palcami spoczywającymi na przelączniku ON/OFF (17) oraz drugą ręką trzymającą uchwyt dodatkowy, (1) dzięki czemu urządzenie jest bezpiecznie obsługiwane.

WAŻNE: Sprawdź czy mechanizm pracuje gładko i poprawnie przed rzeczywistym użyciem.

Włączanie i wyłączanie

- Abi by uruchomić maszynę ścisnij przelącznik spustowy ON/OFF (17)
- Zwolnij spust ON/OFF w celu wyłączenia

Uwagi:

- Abi wykonać szczeliny na łączniki płaskie, należy najpierw ustawić frezarkę do połączeń tak jak opisano w rozdziale " Przygotowanie do eksploatacji", po czym przygotować materiał obróbki poprzez zaznaczenie na nim ołówkiem miejsc, w którym mają być wycięte otwory (Rys. II)
- Maszyna jest wyposażona w wiele wskaźników, które pomagają w ustawieniu urządzenia względem materiału obróbki. Wskaźnik środka płyty czołowej (5) oraz wskaźnik środka tarczy (7). Dwa wskaźniki krawędzi łącznika (6 i 8) pomagają zlokalizować krawędzie większych łączników, nie zewnętrzna krawędź tarczy tnącej, jest to widoczne na tyle prowadnicy. Wskaźnik środka tarczy (26) z boku podstawy wskazuje na wysokość tarczy dla standardowych 4 mm grubości tarczy.

PL

- Bardzo istotnym jest dokładne zaznaczenie miejsca wyciętych otworów. Latwiejszym może się okazać luźne połączenie dwóch kawałków ze sobą w dokładnie wymaganej pozycji i zaznaczenie obu materiałów, po czym wycięcie szczelini. Ponownie połącz elementy, z pierwszych 2 łącznikami zamontowanymi, przed ponownym zaznaczeniem, gdzie wymagane są kolejne łączniki. Idealne środkowe położenie jest korzystne w pierwszych otworach ustalających.
- Przy łączeniu drewna istnieje niewielka tolerancja, dlatego też wykonanie dokładnego pomiaru jest ważne przez cały
- Łączniki płaskie mogą być umieszczone w różnorodnym położeniu do łączenia elementów drewnianych (Rys. I) oraz jeśli to konieczne szczeliny mogą zostać powiększone (Rys. II)
- Obrabiany element powinien zostać zaciśnięty do stołu roboczego, jednakże istnieje możliwość skorzystania z antypoślizgowych podkładek pomiędzy przedmiotem obróbki, a stołem roboczym, co może okazać się wystarczające w niektórych przypadkach

1. Wybierz odpowiedni rozmiar łącznika płaskiego na ograniczniku wierzyczkowym (11)
2. Trzymaj urządzenie jedną ręką, tak, aby palce spoczywały na przełączniku spustowym ON/OFF (17)
3. Ostrożnie wyrównaj urządzenie ze śladami na materiale w gotowości do wycięcia szczelini
4. Ustaw frezarkę na przeciw materiału obróbki tak, aby płyta czołowa (19) oraz spód prowadnicy (30) dotykały w całości materiału obróbki
5. Naciśnij na front prowadnicy, zaś drugą dłoń trzymając narzędzie, sprawdzając, czy nie ma żadnych wolnych przestrzeni pod płytą czołową bądź prowadnicą

Uwaga: Może być konieczne zabezpieczenie urządzenia poprzez nałożenie nacisku na prowadnicę (30) (Zdjęcie H) bardziej niż trzymanie uchwytu dodatkowego (1) w celu upewnienia się, że urządzenie znajduje się w tej samej pozycji na drewnianym elemencie.

Uwaga: Może być także konieczne nałożenie nacisku, jeśli korzystasz z podkładek antypoślizgowych zabezpieczających obrabiany element, które wymagają większego nacisku na przedmiot. Należy tak robić wyłącznie, jeśli czujesz komfort podczas obsługi, jedną ręką urządzenie. Jednakże, idealnie należałoby trzymać obydwie ręce na urządzeniu podczas pracy, z obrabianym elementem zaciśniętym do stołu roboczego, co maksymalizuje bezpieczeństwo pracy.

6. Naciśnij spust ON/OFF (17), pozwól tarczy osiągnąć normalną prędkość, po czym pchnij korpus maszyny w przód, tak, aby tarcza tnąca (32) weszła w materiał (Zdjęcie H)
 7. Pchnij obudowę maszyny w przód do momentu uruchomienia ogranicznika głębokości (13) na ograniczniku wierzyczkowym (11) w celu utworzenia szczeliny o szczegółowych rozmiarach
 8. Przy utrzymaniu maszyny włączonej, należy pozwolić maszynie na pocięciu do dawnej pozycji, wyciągając tarczę z materiału obróbki, trzymając urządzenie obiema rękoma
 9. Jak już tarcza opuści obrabiany materiał, należy zwolnić spust ON/OFF
- Uwaga:** Sprężyna powrotna sprawi, że maszyna automatycznie wróci do pozycji spoczynku, tarczę z materiału obróbki, kiedy nadal nakładana jest siła na płytę czołową na prowadnicy. Użytkownik powinien kontrolować wydobywanie tarczy tnącej z materiału, uważając, aby zostały wyjęte w takiej samej pozycji, co wycięte otwory
10. Kiedy tarcza tnąca kompletnie się zatrzyma, można podnieść tarczę z obrabianego przedmiotu

Uwaga: Zaleca się przeprowadzenie próby na kawałku niepotrzebnego drewnianego materiału, aby w pełni być świadomym pracy frezarki.

Uwaga: Zaleca się dopasowanie łącznika do wyciętej szczeliny w drewnie 'na sucho' przed zaaplikowaniem kleju i ostatecznego zmontowania, gdyż klej spowoduje lekkie rozszerzenie łącznika, zaś połączenie dwóch elementów będzie ciężkie do ich rozdzielenia, jeśli nieprawidłowo zostaną połączone.

Pozycjonowanie

- W celu wycięcia otworów w powierzchni czołowej przedmiotu obrabianego, urządzenie musi być usytuowane prostopadle do powierzchni obrabianego elementu (Zdjęcie D, E i F)
- Zaleca się, aby operować maszyną zwróconą w dół do obrabianego elementu, tak, że masa maszyny współpracuje z kierunkiem działania, w przeciwnieństwie do próby kierowania otwory w górę pod przedmiotem obróbki
- W przypadku potrzeby wycięcia otworów zbyt daleko od krawędzi, skonfiguruj maszynę tak, aby prowadnica i płyta czołowa były ze sobą wyzpoziomowane. Zdejmij prowadnicę (30) poprzez odkręcenie pokrętła blokady prowadnicy (29) i podniesienie z urządzenia. Dzięki czemu urządzenie może być ustawione pionowo na powierzchni, nawet dużych elementów obróbki s (Zdjęcie A). Upewnij się, że urządzenie jest bezpiecznie ustawione przed rozpoczęciem wiercenia
- Użyj zacisków do przymocowania drewna do powierzchni i użyj jako prowadnicy, co zapobiegnie przesuwaniu się przedmiotu obróbki w obydwo osiach
- Dla innych cięć prowadnica uniemożliwia cięcie, dlatego musi zostać zdjęta (Zdjęcie G)

Inne łączenia

Uwaga: Wszelkstronność tego narzędzia wykracza daleko poza to, co zostało przedstawione w niniejszej instrukcji obsługi, a służy jedynie, jako wstęp do opisanie jego funkcji i operacji.

Akcesoria

Szeroki zakres akcesoriów jest dostępny u dystrybutora firmy Triton. Zakup części zamiennych jest możliwy u dystrybutora narzędzi Triton lub na stronie internetowej www.toolspressonline.com.

Konserwacja

OSTRZEŻENIE: Przed przeprowadzeniem kontroli, czynności konserwacyjnych lub czyszczenia zawsze odłączaj urządzenie od źródła zasilania.

Sprawdź przewód zasilania urządzenia pod kątem uszkodzeń i zużycia za każdym razem przed rozpoczęciem użytkowania urządzenia. Naprawa powinna być przeprowadzona przez centrum serwisowe Triton. Zalecenie to dotyczy również przewodów zasilania wykorzystywanych przy urządzeniu

Kontrola rutynowa

Regularnie sprawdzaj, czy wszystkie śruby mocujące są odpowiednio dokręcone. Wibracje mogą powodować ich poluzowanie

Smarowanie

Regularnie smaruj wszystkie elementy ruchome urządzenia odpowiednim środkiem smarnym w aerozolu

Wymiana tarczy tnącej

OSTRZEŻENIE: ZAWSZE należy nosić odporne na przecięcia rękawice ochronne.

WAŻNE: Nigdy nie należy montować uszkodzonych, bądź nadmiernie zużytych tarcz tnących.

WAŻNE: Prędkość obrotowa tarczy tnącej musi być przynajmniej równa bądź przekraczać prędkość bez obciążenia urządzenia (patrz dane techniczne).

1. Przekręć urządzenie do góry nogami z dołem podstawy (12) znajdującym się teraz u góry
2. Odkręć pokrętło dostępu do tarczy (21) dopóki pokrywa podstawy (31) będzie mogła być podniesiona. Upewnij się, że prowadnica (30) jest na wysokości od podstawy
3. Naciśnij przycisk blokady wrzeczona (2) używając w zestawie dołączonego klucza kołkowego zdejmij gwintowany kołnierz tarczy (33)
4. Wymij tarczę (32)
5. Zamontuj nową tarczę o identycznym typie i wymiarach (patrz „Dane techniczne”)

OSTRZEŻENIE: Należy zwrócić uwagę na kierunek obrotów, taki jak jest na wskaźnikach kierunku (35 i 3).

6. Zamontuj ponownie gwintowany kołnierz, wciśnij przycisk blokady wrzeczona i przykręć przy użyciu klucza kołkowego
7. Zwolnij przycisk blokady wrzeczona, opuść pokrywę podstawy i przykręć z powrotem pokrętło blokady tarczy

Czyszczenie

OSTRZEŻENIE: ZAWSZE podczas czyszczenia urządzenia stosuj środki ochrony osobistej, takie jak okulary i rękawice ochronne.

- Należy zawsze dbać o czystość urządzenia. Brud i kurz powodują szybsze zużycie elementów wewnętrznych i skracają okres eksploatacji urządzenia
- Należy wytrzeć urządzenie miękką szcztotką lub suchą ścierką
- Do czyszczenia elementów plastikowych nie należy używać środków żrących. Jeśli czyszczenie na sucho nie przynosi wystarczających efektów, zalecane jest użycie wilgotnej szmatki i łagodnego detergentu
- Nie wolno dopuszczać do kontaktu urządzenia z wodą
- Upewnij się, że urządzenie jest całkowicie suche przed ponownym włączeniem
- Jeśli to możliwe, przedmuchać otwory wentylacyjne czystym powietrzem sprężonym (w stosownych przypadkach)

Szcztotki

- Szcztotki węglowe wewnątrz silnika mogą ulec zużyciu z biegiem czasu
- Nadmierne zużycie szcztotek może powodować utratę mocy, sporadyczne awarie lub widoczne iskrzenie

W celu wymiany szczotek;

1. Wykręć wkręty uchwytu (20), które mocują główną rękojeść (18)
2. Zdejmij obydwie strony ostrożnie, uważając, aby nie pociągnąć, ani uszkodzić kabli
3. Ostrożnie używając śrubokręta wciśnij w małe wycięcie z przodu na wskazaną dołną strzałkę (Zdjęcie I)
4. Ostrożnie wciśnij z drugiej strony podstawy szczotki, jak pokazano z górną strzałką, po czym ostrożnie wyjmij szczotki ze swojej obudowy
5. Wyjmij zużyte szczotki i zastąp nowymi (Zdjęcie J), upewniając się, że małe występy po wewnętrznej stronie narzędzia układają się prawidłowo w linii z nowymi szczotkami węglowymi (Zdjęcie K)
6. Umieść obudowę ponownie i przykręć wkręty uchwytu

• Alternatywnie oddaj urządzenie do Centrum srewisowego Triton

Uwaga: Szczotki węglowe należy zawsze wymieniać w parach

Utylizacja

Należy zawsze przestrzegać przepisów krajowych dotyczących utylizacji elektronarzędzi, które nie są już funkcjonalne i nie nadają się do naprawy.

- Nie wyrzucaj elektronarzędzi, baterii lub innych odpadów elektrycznych i elektronicznych (WEEE) wraz z odpadami komunalnymi.
- Skontaktuj się z władzami lokalnymi zajmującymi się utylizacją odpadów, aby uzyskać informacje na temat prawidłowego sposobu utylizacji elektronarzędzi i baterii.

Gwarancja

W celu rejestracji gwarancji odwiedź naszą stronę internetową www.tritontools.com* i podaj odpowiednią dane.

Protokół zakupu

Data zakupu: ___/___/___

Model: TBJ001 Należy zachować paragon jako dowód zakupu

Precyzyjne Elektronarzędzia Triton gwarantują nabywcy tego produktu pewność, iż w razie usterki bądź uszkodzenia z powodu wad materiałowych lub jakości wykonania, w ciągu 3 lat od daty zakupu, firma Triton naprawi bądź według własnego uznania bezpłatnie wymieni uszkodzoną część.

Powyższa gwarancja nie pokrywa szkód spowodowanych naturalnym zużyciem, nieprawidłowym użytkowaniem, nieprzestrzeganiem zaleceń obsługi, wypadkami lub wykorzystaniem urządzenia do celów komercyjnych.

* Zarejestruj swój produkt w ciągu 30 dni od daty zakupu.

Obowiązują zasady i warunki użytkowania.

Powyższe postanowienia nie mają wpływu na prawa ustawowe klienta.

PL

Перевод исходных инструкций

Введение

Благодарим за выбор инструмента Triton. В этом руководстве содержится информация, необходимая для безопасной и эффективной эксплуатации изделия. Данное изделие отличается некоторыми уникальными особенностями, и даже если вы уже знакомы с аналогичными изделиями, важно внимательно прочитать это руководство и понять содержащиеся в нем инструкции. Убедитесь, что каждый пользователь инструмента ознакомился с руководством и понял его.

Символы и обозначения

На паспортную табличку инструмента могут быть нанесены определенные символы и обозначения. Они дают важную информацию об изделии или содержат инструкции по эксплуатации.



Пользоваться средствами защиты органов слуха
Пользоваться средствами защиты органов зрения
Пользоваться средствами защиты органов дыхания
Пользоваться средствами защиты головы



Пользоваться средствами защиты рук



Прочитайте руководство



Внимание! Острые ножи или зубья!



БЕРЕЖЬ от дождя и влаги!



Перед регулировкой, сменой оснастки, чисткой, обслуживанием и хранением прибора всегда отключайте его от сети питания.



Требуется или рекомендуется вытяжка пыли.



ВНИМАНИЕ! Движущиеся детали: опасность раздавливания и порезов.



Осторожно!



Конструкция класса II (двойная изоляция для дополнительной защиты)



Охрана окружающей среды
Утилизация электротехнических изделий с бытовым мусором запрещена. Такие изделия сдают в пункты утилизации, имеющие специальное оборудование. За рекомендациями по утилизации обращайтесь в местные органы власти или к дилеру.



Соответствует применимым законодательным актам и нормам безопасности.

Сокращения технических терминов

V	Вольты
~, AC	Переменный ток
A, mA	Ампер, миллиампер
n0	Частота вращения без нагрузки
n	Номинальная частота вращения
°	Градусы
Ø	Диаметр

Гц	Герц
==, DC	Постоянный ток
Вт, кВт	Ватт, киловатт
/мин или мин ⁻¹	Число операций в минуту
дБ(A)	Уровень звука в децибелах (взвешенный по A)
м/с ²	Метры в секунду в квадрате (значение вибрации)

Технические характеристики

Номер модели:	TBJ001
Напряжение:	230 В переменного тока 50 Гц
Входная мощность:	760 Вт
Частота вращения без нагрузки:	11 600 мин ⁻¹
Диапазон углов направляющей:	0–90°
Максимальная глубина резания:	18 мм
Диаметр диска:	Ø100 мм
Диск:	Ø100 x Ø22 x 3,92 мм x 6Т
Центральное отверстие:	Ø22 мм
Регулировка по высоте:	0 - 40 мм
Степень защиты оболочки:	IP20
Класс защиты:	
Длина электрического шнура:	3 м
Габаритные размеры (Д x Ш x В):	460 x 138 x 145мм
Масса:	2,65 кг

Ввиду того, что продукция постоянно совершенствуется, технические характеристики изделий Triton могут изменяться без уведомления.
* Значения в британских единицах измерения являются ориентировочными.

Информация по шуму и вибрации

Уровень звука излучения L _{WA} :	92 дБ(A)
Корректированный уровень звуковой мощности L _{WA} :	103 дБ(A)
Погрешность K:	3 дБ
Взвешенная вибрация	3,27 м/с ²
Погрешность	1,5 м/с ²

Уровень звука, воздействующего на оператора, может превышать 85 дБ(A). Использование средств защиты органов слуха обязательно.

ВНИМАНИЕ! Если уровень звука превышает 85 дБ(А), то обязательно пользуйтесь средствами защиты органов слуха. При необходимости ограничивайте продолжительность работы. Если шум вызывает дискомфорт даже при использовании средств защиты, незамедлительно выключите инструмент и убедитесь, что защита надеда правильно, а ее звукоизолирующие характеристики соответствуют уровню звука, вырабатываемого инструментом.

ВНИМАНИЕ! Воздействие вибрации инструмента на человека может вызвать потерю чувствительности, онемение, покалывание и снижение способности удерживать предметы. Продолжительное воздействие чревато развитием хронических заболеваний. При необходимости ограничивайте продолжительность работы и пользуйтесь антивибрационными перчатками. Не работайте в ручном режиме, если температура ниже комфортного уровня: в таких условиях вибрация оказывает более выраженное воздействие на организм. Продолжительность и периодичность работы с инструментом можно рассчитывать по значениям, которые приведены в разделе «Технические характеристики».

Указанные в характеристиках уровни звука и вибрации получены в соответствии с международными стандартами. Значения справедливы для инструмента в нормальном рабочем состоянии, эксплуатируемого в нормальных условиях. Нарушение регламента обслуживания, порядка сборки или эксплуатации инструмента может явиться причиной повышения уровня звука и вибрации. На сайте www.osha.eugora.eu представлена информация по уровням звука и вибрации на рабочем месте, которая может оказаться полезной для пользователей, работающих с инструментом в бытовых условиях в течение продолжительного времени.

Общие правила техники безопасности

ВНИМАНИЕ! Ознакомьтесь со всеми предупреждениями и инструкциями. Пренебрежение предупреждениями и инструкциями чревато поражением электрическим током, пожаром и/или серьезными травмами.

ВНИМАНИЕ! Эксплуатация прибора детьми, лицами с ограниченными физическими или умственными возможностями и лицами, не имеющими достаточного опыта или знаний, разрешается только при условии, что они будут находиться под присмотром ответственного за их безопасность или получат от него необходимые инструкции по работе с прибором. Не оставляйте детей без присмотра и не позволяйте им играть с прибором.

Сохраните все предупреждения и инструкции на будущее.

В разделе, посвященном технике безопасности, термин «электроинструмент» относится как к проводным (работающим от сети), так и к беспроводным (работающим от аккумулятора) инструментам.

1) Безопасность на рабочем месте

- a) Следите за чистой и освещенностью рабочего места. Беспорядок или недостаток освещения повышают вероятность несчастного случая.
- b) Не работайте с электроинструментом во взрывоопасной атмосфере (например, в присутствии воспламеняющихся жидкостей, газов или пыли). Электроинструмент вырабатывает искры, которые могут воспламенить пыль или пары.
- в) Во время работы с электроинструментом не позволяйте детям и посторонним лицам приближаться к вам. Они будут отвлекать ваше внимание, и вы можете потерять управление.

2) Электробезопасность

- a) Вилки электроинструмента должны соответствовать розеткам. Категорически запрещается вносить какие-либо изменения в конструкцию вилок. Не разрешается подключать заземленный электроинструмент к сети через переходники. Применение стандартных вилок и соответствующих им розеток снижает риск поражения электрическим током.
- b) Не касайтесь заземленных предметов: трубопроводов, радиаторов, электрических плит и холодильников. Если ваше тело заземлено, то риск поражения электрическим током увеличивается.
- в) Берегите электроинструмент от дождя и влаги. Попадание воды внутрь электроинструмента увеличивает риск поражения электрическим током.
- г) Не допускайте повреждения электрического шнура. Запрещается переносить, тянуть или отключать электроинструмент от сети за шнур. Берегите шнур от нагрева, контакта с маслом, острыми кромками или движущимися деталями. Лапельный или запутанный шнур увеличивает риск поражения электрическим током.
- д) При работе с электроинструментом вне помещения пользуйтесь удлинителем, пригодным для эксплуатации в таких условиях. Применение удлинителя, пригодного для эксплуатации вне помещения, снижает риск поражения электрическим током.
- е) Если работа во влажных условиях неизбежна, то электроинструмент следует подключать к источнику питания, снабженному устройством защитного отключения (УЗО). Применение УЗО снижает риск поражения электрическим током.

ж) При эксплуатации инструмента на территории Австралии или Новой Зеландии рекомендуется ВСЕГДА включать в цепь питания устройство защитного отключения (УЗО) с номинальным остаточным током 30 мА или меньше.

3) Личная безопасность

- a) Будьте внимательны, следите за тем, что делаете и руководствуйтесь здравым смыслом при работе с электроинструментом. Запрещается пользоваться электроинструментом, если вы устали или находитесь под действием алкоголя, наркотиков или лекарственных препаратов. Даже кратковременное ослабление внимания во время работы чревато тяжелой травмой.
- b) Пользуйтесь средствами индивидуальной защиты. Всегда пользуйтесь средствами защиты органов зрения. Грамотное применение средств защиты (например, респиратора, несвязывающей защитной обуви, каски или средств защиты органов слуха) снижает риск травм.
- в) Не допускайте непреднамеренного включения. Перед тем как подключать инструмент к розетке и/или аккумулятору, поднимать или переносить его убедитесь, что выключатель питания находится в положении «выключено». Если держать палец на выключателе питания при переносе инструмента или заряжая инструмент с включенным выключателем питания, то риск несчастного случая увеличится.
- г) Убирайте регулировочные ключи прежде чем включать электроинструмент. Гачевый ключ, присоединенный к вращающейся части электроинструмента, может нанести травмы.
- д) Не тянитесь за пределы комфортной зоны досягаемости. Твердо стойте на ногах и сохраняйте равновесие. Это позволит увереннее контролировать инструмент в неожиданных ситуациях.
- е) Одевайтесь надлежащим образом. Свободная одежда и украшения не допускаются. Держите волосы, одежду и перчатки подальше от движущихся частей инструмента. Свободную одежду, украшения или длинные волосы может наматывать на движущиеся части.
- ж) Обязательно пользуйтесь устройствами вытяжки и сбора пыли, если конструкцией предусмотрены соединители для них. Соблюдайте правила их эксплуатации. Такие устройства снижают риски, связанные с пылью.

4) Эксплуатация электроинструмента и уход за ним

- a) Не допускайте перегрузки электроинструмента. Правильно подбирайте инструмент под свои задачи. Грамотно подобранный инструмент будет работать качественнее и безопаснее без превышения номинальной нагрузки.
- b) Не работайте с электроинструментом, если выключатель питания не включается или не выключается. Любой электроинструмент с неработающим выключателем опасен и подлежит ремонту.
- в) Отсоединяйте электроинструмент от розетки и/или аккумулятора, прежде чем выполнять настройку, менять оснастку или укладывать его на хранение. Данная мера предосторожности исключает случайный пуск инструмента.
- г) Храните электроинструмент в местах, недоступных для детей, и не позволяйте работать с ним лицам, не знакомым с электроинструментом или не изучившим данные инструкции. Электроинструмент опасен в неумелых руках.
- д) Обслуживайте электроинструмент. Следите за тем, чтобы не было биения или заедания движущихся частей, сломанных деталей или признаков других неисправностей, способных повлиять на работу электроинструмента. Если инструмент поврежден, то эксплуатацию разрешается возобновлять только после ремонта. Причиной многих несчастных случаев становится неудовлетворительное обслуживание электроинструмента.
- е) Следите за чистой режущей инструмента и состоянием его режущих кромок. Если режущий инструмент надлежащим образом обслужен, то снижается вероятность защемления и облегчается управление.
- ж) Соблюдайте эти инструкции при эксплуатации электроинструмента, оснастки и режущего инструмента. Учитывайте условия и особенности предстоящей работы. Использование электроинструмента не по назначению может быть опасным.

Техника безопасности при работе с присадочными и лапельными фрезерами



ВНИМАНИЕ!

- Номинальная частота вращения лапельной фрезы должна быть не ниже указанной на инструменте. Превышение номинальной частоты вращения может привести к вылету лапельной фрезы и травмам.
- Всегда используйте ограждение! Ограждение защищает оператора от осколков и случайного контакта с режущим инструментом.

RU

- Держите электроинструмент только за изолированные захватные поверхности, так как режущий инструмент может коснуться шнур питания. Надрезание находящегося под напряжением проводника может привести к тому, что незаизолированные металлические детали инструмента тоже окажутся под напряжением. Это чревато поражением электрическим током.
- Не позволяйте лицам младше 18 лет работать с этим инструментом. Проследите за тем, чтобы операторы были ознакомлены с этими инструкциями по эксплуатации и требованиями безопасности.
- Замена поврежденного электрического шнура (в случае необходимости) должна выполняться производителем, его сервисным представителем или лицами аналогичной квалификации.
- Настоятельно рекомендуется включать инструмент через устройство защитного отключения с номинальным остаточным током 30 мА или меньше.

ВНИМАНИЕ! Запрещается работать с затупившимися или поврежденными режущими инструментами.

ВНИМАНИЕ! Перед эксплуатацией проверьте работоспособность системы отвода ограждения.



Используйте подходящие средства защиты органов дыхания. При работе с этим инструментом может выбираться пыль, содержащая химические вещества, которые вызывают рак, дефекты плода и другие повреждения репродуктивной системы. Некоторые сорта лесоматериалов содержат консерванты (например, арсенат хрома), которые могут быть ядовитыми. Соблюдайте особую осторожность при шлифовании, сверлении или пилении таких материалов. Не допускайте вдыхания и сведите к минимуму контакт с кожей.

- 1) Катанки удлинительных кабелей, используемых с этим инструментом, должны быть полностью размотаны. Минимальное сечение проводника: 1,0 мм²
- 2) При работе с инструментом вне помещения, подключайте его к источнику питания с УЗО. Применяйте удлинительный кабель сечением не менее 1,5 мм² с защищенными от воды соединителями. Кабель должен быть в хорошем рабочем состоянии.
- 3) Перед использованием убедитесь, что режущий инструмент установлен надежно. Плохо закрепленный режущий инструмент может выбросить. Это опасно!
- 4) Не кладите инструмент до тех пор, пока она полностью не остановится.
- 5) При работе с инструментом используйте средства защиты: защитными очками или щитками, средствами защиты органов слуха и защитной одеждой (включая защитные перчатки). Если при сверлении производится пыль – используйте респиратором.
- 6) Обеспечьте достаточное освещение.
- 7) При запуске инструмента резец или нож НЕ должны касаться заготовки!
- 8) При работе с этим инструментом держите его обеими руками.
- 9) Обязательно установите вспомогательные рукоятки, идущие в комплекте с инструментом (допустимые исключения для некоторых задач явным образом указаны в инструкции).
- 10) Не давите на инструмент: это сократит срок его службы.
- 11) Резцы и ножи разогреваются во время работы. Не касайтесь их, пока они не остынут.
- 12) Запрещается удалять пыль, стружку и отходы с участков вблизи реза или ножа руками.
- 13) Если вас прервали во время работы, остановитесь, отключите инструмент и только потом отвлекитесь от него.
- 14) По возможности фиксируйте заготовку струбцинами или тисками.
- 15) Менять режущий инструмент разрешается только после того, как прибор будет отключен от источника питания.
- 16) Регулярно осматривайте резец или диск на предмет износа и повреждений. Поврежденные детали сдавайте на ремонт в специализированный сервисный центр.
- 17) После завершения работ отключайте инструмент от источника питания.
- 18) Периодически проверяйте все гайки, болты и другие крепежные детали и, при необходимости, подтягивайте их.

Правила техники безопасности при работе с режущим инструментом

ВНИМАНИЕ! Перед подключением инструмента к источнику питания (точке подключения, розетке и т.д.) убедитесь, что напряжение питания соответствует значению, указанному на паспортной табличке инструмента. Если напряжение источника питания выше этого значения, то подключение инструмента к такому источнику может привести к серьезным травмам пользователя и выходу инструмента из строя. Если имеются сомнения – не подключайте инструмент. Использование источника питания, напряжение которого ниже номинального напряжения инструмента, может привести к поломке электродвигателя.

Используйте подходящий режущий инструмент

- Убедитесь, что инструмент подходит для выполнения работы. Не следует считать инструмент подходящим, не ознакомившись предварительно с документацией на изделие.

Защита органов зрения

- При работе с режущими инструментами всегда используйте подходящие средства защиты органов зрения.
- Обычные очки не являются защитой при работе с этим изделием: линзы не обладают ударной прочностью и могут разбиться.

Защита органов слуха

- Всегда используйте подходящие средства защиты органов слуха, если шум инструмента превышает 85 дБ.

Защита органов дыхания

- Вы и окружающие должны использовать подходящие респираторы. Помните о безопасности рук
- Держите руки на безопасном расстоянии от режущего диска или ножей. При обработке коротких заготовок электроинструментом пользуйтесь подходящей палочкой-толкателем.

Помните об окружающих

- Пользователь обязан добиться того, чтобы другие люди, находящиеся вблизи рабочей зоны, не подвергались воздействию опасного шума или пыли и были обеспечены подходящими средствами защиты.

Скрытые объекты

- Перед началом работы осмотрите заготовку и удалите все содержащиеся в ней посторонние объекты.
- Не пытайтесь обрабатывать заготовку с посторонними объектами, если не уверены в том, что установленный режущий инструмент соответствует такой работе.
- В стенах может находиться скрытая проводка и трубопроводы, за кузовными элементами автомобилей могут располагаться топливопроводы, а в длинной траве могут скрываться камни и стекло. Всегда тщательно проверяйте рабочую зону перед началом работы.

Остерегайтесь разлетающихся отходов

- В некоторых случаях отходы могут отлетать от режущего инструмента на высокой скорости. Пользователь обязан принять все меры защиты людей, находящихся в рабочей зоне, от разлетающихся отходов.

Установка режущих инструментов

- Следите за тем, чтобы режущие инструменты были установлены правильно и надежно. Перед началом работы проверьте, что ключи / регулировочные приспособления удалены.
- Используйте только те режущие инструменты, которые были рекомендованы для вашего устройства.
- Не пытайтесь изменять конструкцию режущих инструментов.
- Убедитесь, что режущие инструменты заточены, находятся в хорошем состоянии и правильно установлены.
- Не пытайтесь перетачивать не предназначенные для этого режущие инструменты. К таким инструментам относятся специальным образом упрочненные инструменты или инструменты из твердых сплавов, которые обычно содержат вольфрам.
- Переточку режущих инструментов (если это можно делать) осуществляют только в соответствии с инструкциями производителя. Количество переточек может быть ограничено.
- Заточенные инструменты тщательно осматривайте перед использованием и в случае сомнений, касающихся их состояния и пригодности к эксплуатации, немедленно заменяют их.
- Если во время работы режущий инструмент наткнется на скрытый предмет, на обработку которого он не рассчитан, то такой инструмент следует сразу же заменить.

Направление подачи

- Всегда подавайте заготовку на нож или резак в направлении, противоположном направлению движения ножа или резака.

Берегитесь нагрева

- Режущие инструменты и заготовки могут нагреваться во время работы. Не пытайтесь сменить инструмент, не дожидаясь полного его остывания.

Обеспечивайте удаление пыли / стружки

- Не позволяйте пыли ли стружке скапливаться. Древесные опилки пожароопасны, а опилки некоторых металлов могут взрываться.
- Соблюдайте особую осторожность при обработке дерева и металла. Искры, возникающие при обработке металлов, являются распространенной причиной воспламенения древесной пыли.
- По возможности пользуйтесь системой вытяжки. Она позволит повысить безопасность рабочей среды.

Пыль, образующаяся при выполнении шлифования, пиления, полирования, сверления и других строительных операций содержит химикаты, считающиеся в Калифорнии химикатами, которые вызывают рак, нарушения плода и другие нарушения репродуктивной системы. К некоторым подобным химикатам относятся:

- свинец из краски на свинцовой основе;
- кристаллический кремний из кирпичей, цемента и других строительных материалов;
- мышьяк и хром из химически очищенной резины.

Риски, связанные с воздействием этих вещей, зависят от частоты выполнения подобных работ. Чтобы снизить воздействие химикатов, работайте в хорошо вентилируемой зоне, применяйте сертифицированные средства защиты (например, респираторы), предназначенные для удаления микроскопических частиц.

Знакомство с изделием

1. Вспомогательная рукоятка
2. Кнопка блокировки шпинделя
3. Индикатор направления
4. Фиксатор углового положения
5. Индикатор центра на упоре
6. Индикатор края соединения на направляющей (левый)
7. Индикатор центра диска на направляющей
8. Индикатор края соединения на направляющей (правый)
9. Нескользкая накладка
10. Индикатор глубины
11. Поворотный ограничитель
12. Основание
13. Ограничитель глубины
14. Гайка фиксации ограничителя глубины
15. Соединение для отвода пыли
16. Отверстие для охлаждения электродвигателя
17. Курковый выключатель
18. Главная рукоятка
19. Упор
20. Винты рукоятки (4 шт.)
21. Ручка доступа к диску
22. Болты вспомогательной рукоятки (2 шт.)
23. Фиксатор со щелчком (0°, 45° и 90°)
24. Угловая шкала
25. Индикатор угла
26. Индикатор центра диска
27. Шкала высоты направляющей
28. Паз для диска
29. Ручка фиксации направляющей
30. Направляющая
31. Крышка основания
32. Пильный диск
33. Резьбовой фланец диска
34. Вершина зуба диска
35. Индикатор направления

Оснастка (не показана) — штифтовой ключ, мешок для пыли и шестигранный ключ для вспомогательной рукоятки

Назначение

Портативный ручной электроинструмент с небольшим пильным диском для прорезания в заготовках из древесины пазов под установку деревянных ламелей различных размеров.

Распаковывание инструмента

- Аккуратно распакуйте и осмотрите инструмент. Ознакомьтесь со всеми его характеристиками и функциями.
- Убедитесь, что все детали инструмента находятся в хорошем состоянии. Если какие-либо детали отсутствуют или повреждены, то эксплуатация инструмента разрешается только после замены таких деталей.

Перед эксплуатацией

ВНИМАНИЕ! Прежде чем устанавливать или менять какую-либо оснастку или выполнять регулировку всегда отключайте инструмент от сети питания.

ВАЖНО! Перед первой эксплуатацией убедитесь, что диск надлежащим образом установлен. Смотрите раздел «Замена пильного диска».

Вспомогательная рукоятка

- Установите вспомогательную рукоятку (1), пользуясь поставляемыми болтами (22) для вспомогательной рукоятки и шайбами.
- Вспомогательная рукоятка устанавливается в фиксированном положении, и ее выступающие части входят в пазы с каждой стороны инструмента. Угол рукоятки не регулируется.

Вытяжка пыли

- Данный инструмент следует присоединить к цеховой системе вытяжки пыли или пылесосу, пользуясь соединением для отвода пыли (15).
- Если нет ни вытяжки, ни пылесоса, то необходимо установить комплектный мешок для пыли. Его надевают на соединитель для отвода пыли.

Примечание. Мешок для пыли (если он используется) следует регулярно снимать и чистить. Рекомендуется опустошать его, когда он заполнится до половины.

Регулировка глубины резания

Инструмент имеет поворотный ограничитель с 6 положениями глубины (0, 10, 20, S, D и Max [максимум]) и позволяет использовать самые различные ламели, шканты или планки. Ниже приведены инструкции для ламелей. Рекомендуется выполнить калибровку инструмента под размер ламелей, которые вы преимущественно будете использовать. Чаще всего применяют ламели 10-го размера.

1. Установите поворотный ограничитель (11) в положение «10» по индикатору глубины (10).
2. Подайте вспомогательную рукоятку (1) вперед, пока ограничитель глубины (13) не упрется в поворотный ограничитель (рисунк В) и измерьте длину части диска, выступающей из паза (28). Вершина зуба диска (34) должна располагаться на максимальном расстоянии от паза. Поверните пильный диск (32) таким образом, чтобы его вершина находилась в середине, затем измерьте расстояние от вершины до паза для диска.
3. Для ламелей номер 10 результат измерения должен составлять 10 мм (смотрите таблицу ниже). Если имеется погрешность, ослабьте гайку фиксации ограничителя глубины (14) и, увеличивая или уменьшая длину ограничителя, добейтесь глубины пиления в 10 мм.
4. По завершении настройки затяните гайку фиксации ограничителя глубины.

ВНИМАНИЕ! Неправильная настройка глубины резания может привести к повреждению заготовки.

Примечание. Теперь можно будет задавать другие глубины с помощью ограничителя. Однако самой точной настройкой будет то положение, в котором была произведена калибровка.

Примечание. Всегда выполняйте пробный проход по ненужному куску материала для проверки настроек.

Информация по ламелям

Отметка положения	Ламель	Ширина	Длина	Толщина	Глубина резания
0	#0	15-16 мм	44-47 мм	4 мм	8 мм
10	#10	19 мм	53-54 мм	4 мм	10 мм
20	#20	25 мм	56-60 мм	4 мм	12,3 мм
S	#20	25 мм	56-60 мм	4 мм	13 мм
D	S6	30 мм	85 мм	4 мм	14,7-15 мм
МАКС.	Н/П	Поворотный ограничитель установлен на максимальную глубину (18mm (23/32") максимальную).			
НЕ ПОДДЕРЖИВАЮТСЯ	#Н9	12 мм	38 мм	3 мм	6-7 мм
НЕ ПОДДЕРЖИВАЮТСЯ	Triton 7 (BJA050/BJA056)				

• Значения являются ориентировочными.

Регулировка высоты обработки

Примечание. Паз под ламель, как правило, располагают по центру торца заготовки, поэтому высоту обработки задают равной половине толщины материала.

- Если установлено ограждение (30), то высоту обработки можно регулировать в диапазоне 0–40 мм.
1. Ослабьте ручку фиксации направляющей (29).
 2. Расположите направляющую на нужной высоте, руководствуясь шкалой высоты направляющей (27).
 3. Зафиксируйте направляющую на нужной высоте, затянув ручку фиксации направляющей.

Установка угла направляющей

Угол направляющей (30) можно регулировать в пределах 90°. Для выполнения угловых пропилов предусмотрены фиксаторы со щелчком. Они позволяют быстро и удобно задавать углы 0°, 45° и 90° (рисунок С). Установка требуемого угла выполняется в следующем порядке.

1. Освободите фиксатор углового положения (4), отведя его от упора (19).
2. Настройте упор на нужный угол, руководствуясь угловой шкалой (24) и индикатором (25).
3. Зафиксируйте упор под нужным углом с помощью фиксатора углового положения.

Примечание. Прежде чем выполнять обработку убедитесь, что направляющая надежно зафиксирована. В противном случае возможно смещение направляющей и повреждение заготовки или инструмента.

Примечание. Угловая шкала является ориентировочной. При необходимости для контроля угла направляющей следует применять дополнительное угломерное оборудование.

Эксплуатация

ВАЖНО! По возможности при работе с инструментом следует задействовать обе руки. Держите главную рукоятку (18) инструмента одной рукой, при этом палец должен удобно располагаться на курковом выключателе (17). Второй рукой необходимо удерживать вспомогательную рукоятку (1).

ВАЖНО! Перед эксплуатацией убедитесь, что механизм ограждения работает правильно и без заеданий.

Включение и выключение

- Чтобы включить инструмент нажмите курковый выключатель (17).
- Чтобы отключить инструмент отпустите курковый выключатель.

Примечания.

- Чтобы полученные пазы под ламели в заготовке соответствовали требованиям, необходимо настроить инструмент в соответствии с разделом «Перед эксплуатацией» (выше) и подготовить заготовку, разметив на ней точки обработки карандашом (смотрите рисунок II).
- В конструкции инструмента предусмотрены многочисленные индикаторы, которые помогут правильно расположить инструмент относительно заготовки. Индикатор центра на упоре (5) и индикатор центра диска на направляющей (7) обозначают центр диска. Два индикатора края соединения (6 и 8) обозначают край крупных ламелей, а не наружный конец диска (для него предусмотрен индикатор на задней части направляющей). Индикатор центра диска (26) на боковой стороне основания обозначает положение диска по высоте (для стандартных дисков толщиной 4 мм).

- Точная разметка заготовок очень важна. Проще всего будет приставить друг к другу две детали в требуемом положении, выполнить разметку карандашом по обеим деталям и затем пропилить пазы. Затем следует установить первый ламель, неплотно соединить детали вместе и разметить положение последующих ламелей. Лучшим положением для первого паза является середина соединяемых поверхностей.

- При соединении деревянных деталей ламелями допускается определенная погрешность, поскольку пазы, при необходимости, можно продлить. Однако лучше всего обеспечивать точность и почаще выполнять измерения.

- При соединении деревянных деталей ламели можно располагать в самых разных положениях (рисунок I). Если ламели ставят на несколько торцов, то можно применять более широкие пазы (рисунок III), что облегчит сборку соединений на нескольких сторонах.

- Заготовку нужно будет прижать к верстаку, хотя в некоторых случаях бывает достаточно нескользящей подложки между заготовкой и верстаком.

1. Выберите нужный размер ламелей поворотным ограничителем (11).
2. Удерживайте корпус инструмента рукой так, чтобы палец лежал на курковом выключателе (17).
3. Аккуратно совместите метки положения инструмента с карандашной разметкой на заготовке, установите инструмент в положение готовности к выполнению паза
4. Установите инструмент на заготовку так, чтобы упор (19) и нижняя сторона направляющей (30) контактировали с заготовкой по всей поверхности.
5. Нажмите на переднюю часть направляющей пальцами другой руки, чтобы удерживать инструмент в заданном положении, и убедитесь, что перед упором или под направляющей нет зазоров.

Примечание. Для того чтобы инструмент оставался неподвижным на заготовке, возможно, придется давить на направляющую (30) (рисунок H), а не держать руку на вспомогательной рукоятке (1).

Примечание. Возможно также и то, что придется прикладывать давление в том случае, если для крепления заготовки применяется нескользящая подложка, и необходимо большее усилие прижима заготовки. Это можно делать только в том случае, если вам удобно держать инструмент только одной рукой за корпус. В идеале во время работы инструмент следует держать обеими руками, а заготовка должна быть надежно прижата к верстаку. Это самое безопасное решение.

6. Нажмите курковый выключатель (17), дайте диску разогнаться до номинальной частоты вращения и подтолкните корпус инструмента вперед таким образом, чтобы пильный диск (32) вошел в заготовку (рисунок H).

7. Сместите корпус инструмента вперед до упора в ограничитель глубины (13) на поворотном ограничителе (11), чтобы выполнить требуемый паз в заготовке.

8. Не отключая питание инструмента, дайте корпусу вернуться в исходное положение. При этом пильный диск выйдет из заготовки. При этом следует крепко удерживать инструмент обеими руками.

9. Когда пильный диск выйдет из заготовки, отпустите курковый выключатель.

Примечание. Возвратная пружина автоматически переводит корпус обратно в исходное положение и выводит пильный диск из заготовки. При этом сохраняется некоторое давление на упор и направляющую. Оператор должен тщательно контролировать выход пильного диска, удерживая инструмент в одном положении относительно вырезанного паза.

10. Когда пильный диск выйдет из заготовки и прекратит вращение, поднимите инструмент с заготовки.

Примечание. Рекомендуется попрактиковаться в использовании инструмента на ненужных кусках древесины, чтобы полностью понять, как он работает.

Примечание. Всегда выполняйте пробную сборку деталей с установленными ламелями до нанесения клея перед окончательной сборкой, так как клей активизирует ламели и несколько расширяет их, что дополнительно (помимо склеивания) затрудняет исправление ошибок сборки.

Позиционирование

- Чтобы выполнить соответствующий паз в поверхности соединяемой детали необходимо расположить инструмент перпендикулярно этой поверхности (рисунки D, E и F).
- Рекомендуется, чтобы инструмент опирался на заготовку, чтобы сила тяжести соответствовала направлению обработки, вместо того, чтобы сверлить в направлении вверх из-под заготовки.
- Если нужно вырезать паз очень далеко от края (внутренний пропил или формирование «кармана»), ослабьте ручку фиксации направляющей (29) и снимите упор (30) с инструмента. В этом случае фрезер можно будет располагать вертикально и свободно позиционировать даже на заготовках больших размеров (рисунок A). Перед началом обработки убедитесь, что инструмент надежно установлен в нужное положение. В качестве направляющей, которая будет препятствовать движению инструмента по двум осям, можно использовать кусок древесины, прижатый к заготовке струбинами.
- В некоторых других случаях упор будет мешать обработке, и его нужно будет снять (рисунок G).

Прочие соединения

Примечание. Область применения этого инструмента гораздо шире охваченной в этом руководстве, в котором изложены всего лишь общие сведения о его функциональных возможностях и эксплуатации.

Оснастка

Местный дилер Triton поставяет широкий выбор оснастки, включая ламели Triton BJA050 и BJA056. Запчасти можно заказывать у дилера Triton или на сайте www.toolsparsonline.com.

Техническое обслуживание

⚠ ВНИМАНИЕ! ВСЕГДА отсоединяйте инструмент от источника питания перед очисткой или обслуживанием.

- Перед каждым использованием инструмента осматривайте шнур питания на предмет повреждений или износа. Ремонтные операции должны проводиться только официальным сервисным центром Triton. Эта рекомендация распространяется и на шнуры-удлинители, используемые с инструментом.

Общий осмотр

- Регулярно проверяйте затяжку всех крепежных винтов. Со временем затяжка может ослабевать от вибрации.

Смазка

- Все движущиеся детали должны регулярно смазываться подходящей распыленной смазкой.

Замена пильного диска

ВНИМАНИЕ! При работе с пильными дисками ВСЕГДА пользуйтесь стойкими к порезам перчатками.

ВАЖНО! Запрещается устанавливать поврежденный, сильно изношенный или затупленный пильный диск.

ВАЖНО! Номинальная частота вращения пильного диска должна быть не ниже частоты вращения инструмента без нагрузки (смотрите характеристики).

1. Переверните устройство; нижняя часть основания (12) должна быть направлена вверх.
2. Открутите ручку доступа к диску (21), чтобы можно было поднять крышку основания (31). Убедитесь, что упор (30) находится на достаточном расстоянии от основания.
3. Нажмите кнопку блокировки шпинделя (2) и снимите резьбовой фланец диска (33) с помощью комплектного штифтового ключа.
4. Снимите пильный диск (32).
5. Установите новый пильный диск аналогичного типа и размера (смотрите раздел «Технические характеристики»).

ВНИМАНИЕ! ВСЕГДА соблюдайте направление вращения, указанное стрелкой (35 и 3).

6. Установите на место резьбовой фланец диска, нажмите кнопку блокировки шпинделя и затяните резьбовой фланец штифтовым ключом.
7. Отключите блокировку шпинделя, опустите крышку основания и затяните ручку доступа к диску.

Очистка

ВНИМАНИЕ! При очистке этого инструмента ВСЕГДА пользуйтесь средствами защиты, включая средства защиты глаз и перчатки.

- Всегда держите инструмент в чистоте. Пыль и грязь ускоряют износ внутренних деталей и сокращают срок службы устройства.
- Для чистки корпуса используйте мягкую щетку или сухую тряпку.
- Запрещается использовать щелочные вещества для очистки пластиковых деталей. Если сухая чистка не дает желаемого результата, рекомендуется протереть инструмент влажной тряпкой с мягким моющим средством.
- Не допускайте контакта инструмента с водой.
- Тщательно высушите инструмент перед использованием.
- По возможности рекомендуется продувать вентиляционные отверстия сухим и чистым сжатым воздухом (при необходимости).

Щетки

- Со временем угольные щетки внутри электродвигателя изнашиваются.
- Если щетки изношены слишком сильно, то возможна потеря мощности, прерывистая работа электродвигателя или видимое искрение.

Порядок замены щеток

1. Выкрутите винты (20), которые крепят главную рукоятку (18) к корпусу.
 2. Вытащите две боковины, стараясь не потянуть и не повредить кабели.
 3. Аккуратно введите отвертку в небольшой паз в передней части, обозначенный нижней стрелкой (рисунок I).
 4. Аккуратно нажмите на другую сторону основания щетки, как указано верхней стрелкой, затем осторожно вытащите щетку из гнезда.
 5. Вытащите изношенные щетки и вставьте новые (рисунок J). Небольшие выступы на внутренней стороне инструмента должны правильно совместиться с новыми щетками (рисунок K).
 6. Аккуратно установите корпус на место, вставьте и затяните винты рукоятки.
- Также можно сдать инструмент на обслуживание в официальный сервисный центр Triton.

Примечание. Всегда меняйте графитовые щетки парами.

Утилизация

Утилизация неработающего и не подлежащего ремонту электроинструмента должна выполняться в строгом соответствии с государственными нормативами.

- Запрещается утилизировать электроинструмент или иной лом электрического и электронного оборудования с бытовым мусором.
- Обратитесь в местное управление по утилизации отходов за информацией о правильных методах утилизации электроинструмента.

