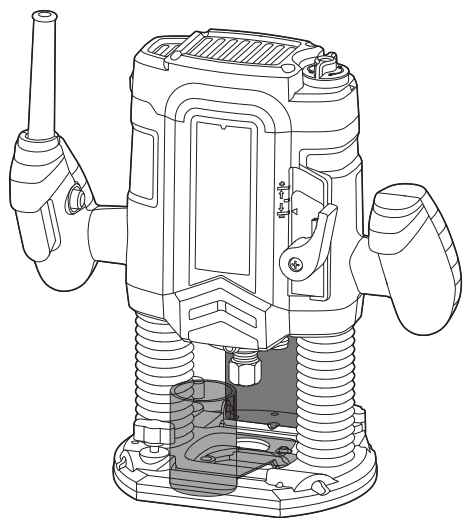


TITAN



TTB883ROU

EAN: 5059340253664



WARNING! Read the instructions before using the product!

Let's get started...

These instructions are for your safety. Please read through them thoroughly before use and retain them for future reference.



Getting started...	02
Safety	03
Symbols	14
Your product	15
Technical and legal information	16
Before you start	19



In more detail...	26
Product functions	27
Operation	34
Care and maintenance	36
Trouble shooting	39
Guarantee	40
Declaration of conformity	41

Safety warnings

General power tool safety warnings



WARNING! Read all safety warnings, instructions, illustrations and specifications provided with this power tool. Failure to follow all instructions listed below may result in electric shock, fire and/or serious injury. **Save all warnings and instructions for future reference.** The term “power tool” in the warnings refers to your mains-operated (corded) power tool or battery operated (cordless) power tool.”

Work area safety

- 1. Keep work area clean and well lit.** *Cluttered or dark areas invite accidents.*
- 2. Do not operate power tools in explosive atmospheres, such as in the presence of flammable liquids, gases or dust.** *Power tools create sparks which may ignite the dust or fumes.*
- 3. Keep children and bystanders away while operating a power tool.** *Distractions can cause you to lose control.*

Safety warnings

Electrical safety

- 1. Power tool plugs must match the outlet. Never modify the plug in any way. Do not use any adapter plugs with earthed (grounded) power tools.** *Unmodified plugs and matching outlets will reduce risk of electric shock.*
- 2. Avoid body contact with earthed or grounded surfaces, such as pipes, radiators, ranges and refrigerators.** *There is an increased risk of electric shock if your body is earthed or grounded.*
- 3. Do not expose power tools to rain or wet conditions.** *Water entering a power tool will increase the risk of electric shock.*
- 4. Do not abuse the cord. Never use the cord for carrying, pulling or unplugging the power tool. Keep cord away from heat, oil, sharp edges or moving parts.** *Damaged or entangled cords increase the risk of electric shock.*
- 5. When operating a power tool outdoors, use an extension cord suitable for outdoor use.** *Use of a cord suitable for outdoor use reduces the risk of electric shock.*
- 6. If operating a power tool in a damp location is unavoidable, use a residual current device (RCD) protected supply.** *Use of an RCD reduces the risk of electric shock.*

Personal safety

- 1. Stay alert, watch what you are doing and use common sense when operating a power tool. Do not use a power tool while you are tired or under the influence of drugs, alcohol or medication. A moment of inattention while operating power tools may result in serious personal injury.**
- 2. Use personal protective equipment. Always wear eye protection. Protective equipment such as a dust mask, non- skid safety shoes, hard hat, or hearing protection used for appropriate conditions will reduce personal injuries.**
- 3. Prevent unintentional starting. Ensure the switch is in the off- position before connecting to power source and/or battery pack, picking up or carrying the tool. Carrying power tools with your finger on the switch or energising power tools that have the switch on invites accidents.**
- 4. Remove any adjusting key or wrench before turning the power tool on. A wrench or a key left attached to a rotating part of the power tool may result in personal injury.**
- 5. Do not overreach. Keep proper footing and balance at all times. This enables better control of the power tool in unexpected situations.**
- 6. Dress properly. Do not wear loose clothing or jewellery. Keep your hair, clothing away from moving parts. Loose clothes, jewellery or longhair can be caught in moving parts.**

Safety warnings

- 7. If devices are provided for the connection of dust extraction and collection facilities, ensure these are connected and properly used.** *Use of dust collection can reduce dust-related hazards.*
- 8. Do not let familiarity gained from frequent use of tools allow you to become complacent and ignore tool safety principles.** *A careless action can cause severe injury within a fraction of a second.*

Power tool use and care

- 1. Do not force the power tool. Use the correct power tool for your application.** *The correct power tool will do the job better and safer at the rate for which it was designed.*
- 2. Do not use the power tool if the switch does not turn it on and off.** *Any power tool that cannot be controlled with the switch is dangerous and must be repaired.*
- 3. Disconnect the plug from the power source and/or remove the battery pack, if detachable, from the power tool before making any adjustments, changing accessories, or storing power tools.** *Such preventive safety measures reduce the risk of starting the power tool accidentally.*
- 4. Store idle power tools out of the reach of children and do not allow persons unfamiliar**

with the power tool or these instructions to operate the power tool. *Power tools are dangerous in the hands of untrained users.*

- 5. Maintain power tools and accessories. Check for misalignment or binding of moving parts, breakage of parts and any other condition that may affect the power tools operation. If damaged, have the power tool repaired before use. *Many accidents are caused by poorly maintained power tools.***
- 6. Keep cutting tools sharp and clean. *Properly maintained cutting tools with sharp cutting edges are less likely to bind and are easier to control***
- 7. Use the power tool, accessories and tool bits etc. in accordance with these instructions, taking into account the working conditions and the work to be performed. *Use of the power tool for operations different from those intended could result in a hazardous situation.***
- 8. Keep handles and grasping surfaces dry, clean and free from oil and grease. *Slippery handles and grasping surfaces do not allow for safe handling and control of the tool in unexpected situations.***

Service

- 1. Have your power tool serviced by a qualified repair person using only identical replacement parts. *This will ensure that the safety of the power tool is maintained.***

Safety warnings

Additional safety warnings for router

- 1. Hold the power tool by insulated gripping surfaces, when performing an operation where the cutting accessory may contact its own cord.** *Cutting a "live" wire may make exposed metal parts of the power tool "live" and could give the operator an electric shock.*
 - 2. Use clamps or another practical way to secure and support the workpiece to a stable platform.** *Holding the workpiece by hand or against your body leaves it unstable and may lead to less of control.*
- *Always wear a dust mask and ear protection when using this power tool.*
 - *Use only bits which are designed for this router.*
 - *Use only sharp bits that are not chipped or cracked. Blunt bits will cause stalling.*
 - *Secure small pieces of wood firmly before working. Never hold them in your hand.*
 - *Before starting up, check that the bit is firmly positioned and secured in the collet.*
 - *The maximum indicated rotation speed of the milling bit must not be exceeded.*
 - *Routing must always be carried out against the direction of rotation (bit-rotation) of the bit.*

- *The bit must be running at full speed before lowering into the work-piece.*
- *When operating the machine, take great care and always hold the router handles firmly with both hands. Always keep secure footing when working.*
- *Beware of the torque reaction of the machine, particularly if the bit becomes jammed in the workpiece. This could cause the tool to turn in the opposite direction to the direction of bit rotation.*
- *On completion of work, allow the machine to slide back to its raised position by releasing the handle. Keep the machine under control until the bit has stopped rotating.*
- *Make yourself familiar with your working area and be alert for possible hazards which you might not hear due to machine noise.*
- *Caution: Allow for run down time of bit after turning router off. Wait for the machine to come to a complete stop before removing from the work piece.*
- *Never slow the router down with your hands.*
- *Do not touch the bit immediately after operation; it may be extremely hot and could burn you.*
- *Never stop the router by applying lateral pressure to the bit.*
- *Do not force the router. Your router will do a better job if you take it slowly.*

Safety warnings

- *Avoid cutting nails and screws. Inspect timber and remove all nails and screws before cutting.*
- *In the event of an electrical or mechanical malfunction, immediately switch off the router and disconnect the power lead from the mains supply.*
- *Never use fingers to clear waste material or blockages.*
- *Turn the router off immediately if the bit gets jammed.*
- *Ensure the air vents are always unobstructed and clear. Clean them if necessary with a soft brush. Blocked air vents may lead to overheating and damage the product.*
- *Always keep the power cord behind the tool.*

Additional safety warning for construction dust

The updated Control of Substances Hazardous to Health Regulations 1st October 2012 now also targets to reduce the risks associated with silica, wood and gypsum dusts.

Construction workers are one of the at-risk groups within this because of the dust that they breathe: silica dust is not just a nuisance; it is a real risk to your lungs!

Silica is a natural mineral present in large amounts in things like sand, sandstone and granite. It is also commonly found in many construction materials such

as concrete and mortar. The silica is broken into very fine dust (also known as Respirable Crystalline Silica or RCS) during many common tasks such as cutting, drilling and grinding Breathing in very fine particles of crystalline silica can lead to the development of: Lung cancer Silicosis Chronic Obstructive Pulmonary Disorder Chronic obstructive pulmonary disease (COPD) And breathing in fine particles of wood dust can lead to the development of Asthma The risk of lung disease is linked to people who regularly breathe construction dust over a period of time, not on the odd occasion.

To protect the lung, the COSHH Regulations sets a limit on the amount of these dusts that you can breathe (called a Workplace Exposure Limit or WEL) when averaged over a normal working day. These limits are not a large amount of dust: when compared to a penny it is tiny – like a small pinch of salt:

This limit is the legal maximum; the most you can breathe after the right controls have been used.

How to reduce the amount of dust?

- 1. Reduce the amount of cutting by using the best sizes of building products.*
- 2. Use a less powerful tool e.g. a block cutter instead of angle grinder.*
- 3. Using a different method of work altogether – e.g. using a nail gun to direct fasten cable trays instead of drilling holes first.*

Safety warnings

Please always work with approved safety equipment, such as those dust masks that specially designed to filter out microscopic particles and use the dust extraction facility at all time.

*For more information, please see the HSE website:
<http://www.hse.gov.uk/construction> or <http://www.hse.gov.uk/pubns/cis69.pdf>*



WARNING! Some dust created by power sanding, sawing, grinding, drilling and other construction activities contains chemicals known to cause cancer, birth defects or other reproductive harm. Some examples of these chemicals are:

- Lead from lead-based paint
- Crystalline silica from bricks and cement and other masonry products
- Arsenic and chromium from chemically-treated timber

Your risk from these exposures varies, depending upon how often you do this type of work. To reduce your exposure to these chemicals:

- Work in a well-ventilated area.
- Work with approved protective equipment, such as those dust masks that are specially designed to filter microscopic particles.

Vibration

The European Physical Agents (Vibration) Directive has been brought in to help reduce hand arm vibration syndrome injuries to power tool users. The directive requires power tool manufacturers and suppliers to provide indicative vibration test results to enable users to make informed decisions as to the period of time a power tool can be used safely on a daily basis and the choice of tool.

See technical specifications in the instruction manual for the vibration levels of your tool.

The declared vibration emission value should be used as a minimum level and should be used with the current guidance on vibration.

Calculating the actual period of use can be difficult and the HSE website has further information.

While working with this power tool, hand/arm vibrations occur. Adopt the correct working practices in order to reduce the exposure to vibration. This tool may cause hand-arm vibration syndrome if its use is not adequately managed.

Helping to minimise your vibration exposure risk. ALWAYS use sharp chisels, drills and blades. Maintain this tool in accordance with these instructions and keep well lubricated (where appropriate).

Avoid using tools in temperatures of 10°C or less. Plan your work schedule to spread any high vibration tool use across a number of days.



NOTE: The use of other tools will reduce the users' total working period on this tool.

Health surveillance

All employees should be part of an employer's health surveillance scheme to help identify any vibration related diseases at an early stage, prevent disease progression and help employees stay in work.

Symbols

On the product, the rating label and within these instructions you will find among others the following symbols and abbreviations. Familiarise yourself with them to reduce hazards like personal injuries and damage to property.



Read the instruction manual



Wear eye protection



Wear hearing protection.



Wear a dust mask.



Wear protective gloves.



Wear protective, slip resistant footwear.
Switch the product off and disconnect it from the power supply before assembly, cleaning, adjustments, maintenance, storage and transportation.



Class II equipment

yyWxx

Manufacturing date code: Year of manufacturing (20yy) and week of manufacturing (Wxx)



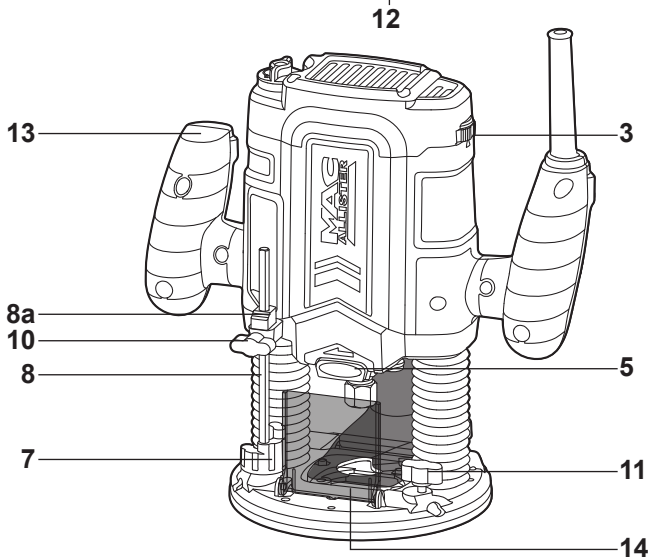
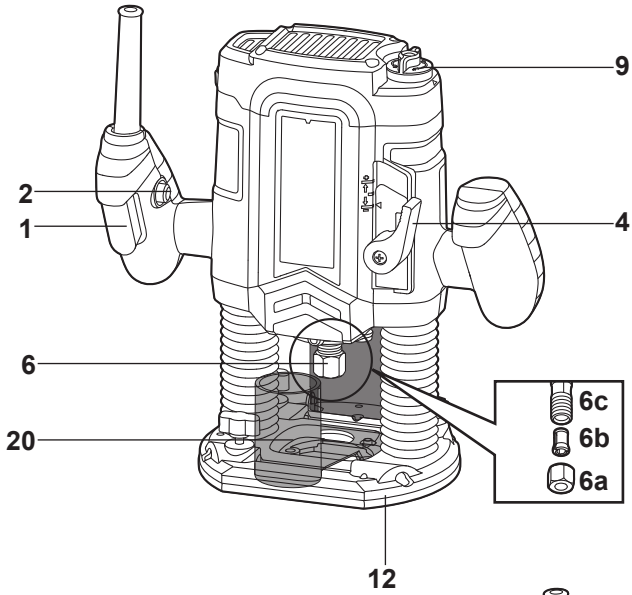
The product complies with the applicable European directives and an evaluation method of conformity for these directives was done.

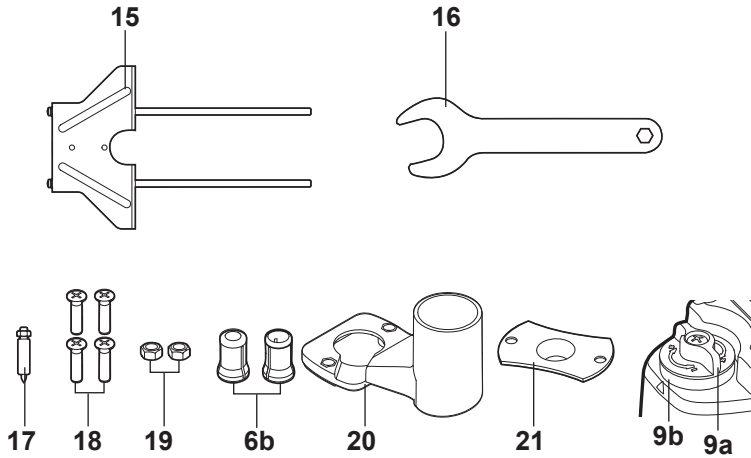


UK Conformity Assessed

Getting started...

Your product





- | | |
|---|---|
| 1. On/off switch | 9a. Fine adjustment knob |
| 2. Lock-off button | 9b. Scale wheel |
| 3. Speed adjuster | 10. Locking screw |
| 4. Plunge lock lever | 11. Screw for edge guide |
| 5. Spindle lock button | 12. Base plate |
| 6. Socket | 13. Handle |
| 6a. Collet nut | 14. Transparent cover |
| 6b. Collet (6.35mm and 8mm for UK; 6mm and 8mm for other countries) | 15. Edge guide |
| 6c. Spindle | 16. Wrench |
| 7. Depth step buffer | 17. Centering pin |
| 8. Depth stop | 18. Fixing screw (x4) |
| 8a. Depth stop arrow | 19. Fixing nut (x2) |
| 9. Fine adjustment | 20. Dust extraction adaptor (with fixing nut) |
| | 21. Guide bush |

Technical specifications

Router

Rated voltage, frequency:	220 -240 V~, 50 Hz
Rated power input:	1200 W
Rated no load speed n_0 :	11000 - 30000 /min
Collet size:	6.35 / 8 mm
Max cutting depth:	55mm
Weight:	3.2 kg

NOISE DATA

A weighted sound pressure:	$L_{pA} = 89.5 \text{ dB(A)}$
A weighted sound power:	$L_{wA} = 100.5 \text{ dB(A)}$
Uncertainty:	$K = 3 \text{ dB(A)}$

The noise for the operator may exceed 80 dB(A) and ear protection measures are necessary.

VIBRATION DATA

Hand arm vibration:	$a_h = 6.3 \text{ m/s}^2$
Uncertainty:	$K = 1.5 \text{ m/s}^2$

The declared vibration total values and the declared noise emission values have been measured in accordance with a standard test method (EN62841-1/EN62841-2-17) and may be used for comparing one tool with another; they may also be used in a preliminary assessment of exposure.



WARNING! The vibration and noise emissions during actual use of the power tool can differ from the declared values depending on the ways in which the tool is used especially what kind of workpiece is processed; and need to identify safety measures to protect the operator that are based on an estimation of exposure in the actual conditions of use (taking account of all parts of the operating cycle such as the times when the tool is switched off and when it is running idle in addition to the trigger time).

RATING LABEL EXPLANATION**TTB883ROU** = MODEL NUMBER**TT**= TITAN**B**=240V AC

883= Version Number

ROU = Router

Unpack

- Unpack all parts and lay them on a flat, stable surface.
- Remove all packing materials and shipping devices if applicable.
- Make sure the delivery contents are complete and free of any damage. If you find that parts are missing or show damage do not use the product but contact your dealer. Using an incomplete or damaged product represents a hazard to people and property.
- Ensure that you have all the accessories and tools needed for assembly and operation. This also includes suitable personal protective equipment.



WARNING! The product and the packaging are not children's toys! Children must not play with plastic bag, sheets and small parts! There is a danger of choking and suffocation!

You will need

(items not supplied)


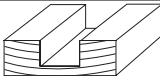

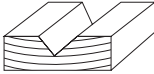
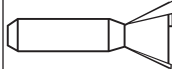
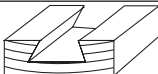
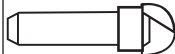
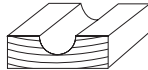
Suitable personal protective equipment
Router bits

(items supplied)

Guide bush
Dust extraction adaptor
Parallel guide
Collets
Wrench
Centering pin

Router bits selection

Router bits are available in various shapes and sizes. Below is only a short overview of the most commonly found shapes. Ask in store for more choices.

Type		Profile
	Straight bit	
	V-groove bit	
	Dovetail bit	
	Core box bit	

Depending on processing and application, router bits are available in different designs and applications:

Bit material	Application
HSS (high-speed steel)	Soft materials, e. g. softwood and plastic
HM (Carbide tipped)	Hard and abrasive materials, e. g. hard wood and light building materials



WARNING! Use only routing tools whose allowable speed is at least as high as the highest no-load speed of the machine. Always use router bits according to the intended use!
Observe the technical specifications of this product when purchasing and using router bits!
Any router bits used must fit exactly in the collet. Never use a router bit with a shaft diameter that does not fit to the collet.
Router bits are sharp and hot after use! Handle them with care! Wear safety gloves when handling router bits to avoid injuries like burns and cuts!

The shank diameter of the router bit must correspond with the rated diameter of the tool holder (collets).

Installing/removing router bit



WARNING! Before making any adjustments to the router, ensure that the tool is unplugged from the power supply.

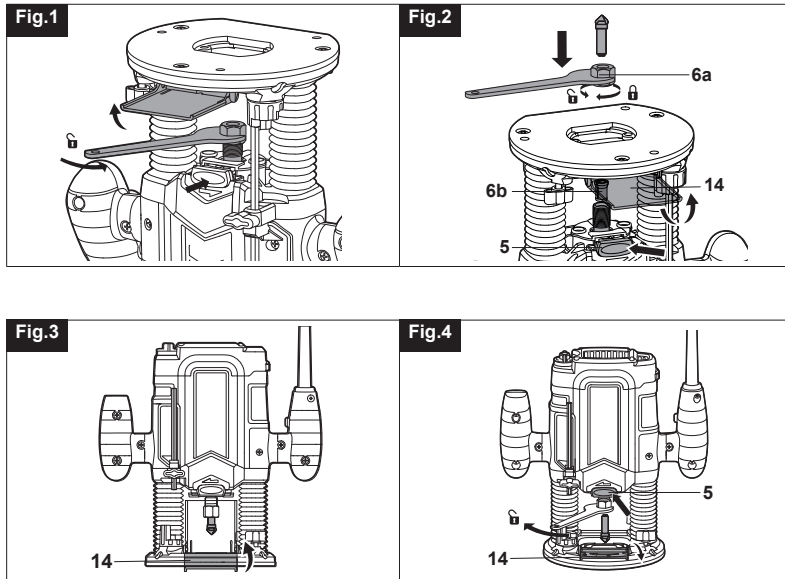
Turn the router upside down and place on a stable.
To install the bit, lower the transparent cover (14).
Press the spindle lock button (5) and keep it depressed. Then rotate the spindle until the spindle lock fully engages.
Loosen the collet nut (6a) using the wrench (16) (Fig.1).

Insert the shank of the router bit into the collet at least as far as the 'K' mark on the shaft.

Keep the spindle lock button (5) depressed and fully tighten the collet nut (6a) using the wrench (16) (Fig.2).

Release the spindle lock button (5). Raise the transparent cover (14) (Fig.3).

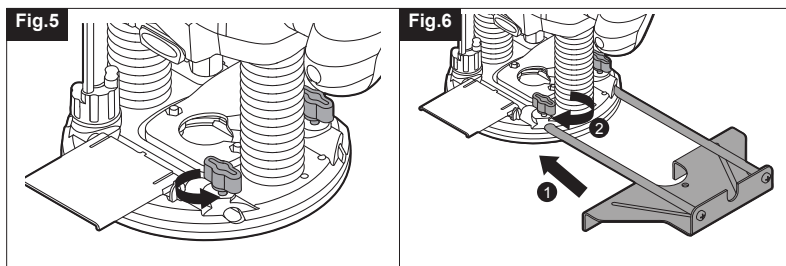
To remove the bit, lower the transparent cover (14). Press the spindle lock button (5) and keep it pressed. Loosen the collet nut (6a) using the wrench (16) and remove the bit. Tighten the collet nut (6a) and release the spindle lock button (5). Raise the transparent cover (14) (Fig.4).



Installing edge guide

The edge guide (15) is an effective aid to cutting in a straight line when chamfering or grooving. Loosen the two screws (11) for edge guide (Fig.5).

Feed the bars on the edge guide through the holes in the base plate (12). Adjust the distance between the router bit and the edge guide (15) by moving the guide until it is at the correct distance. Tighten the screws (11) to hold the edge guide (15) in position (Fig.6).

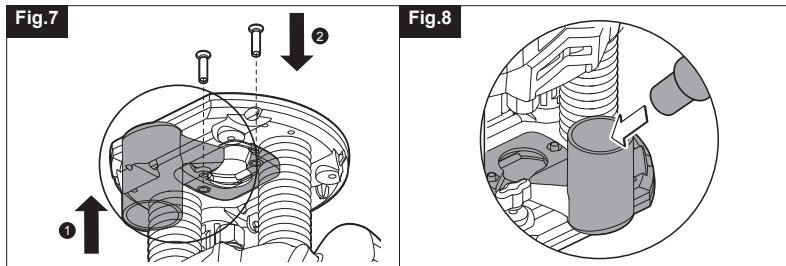


Dust extraction

To install the dust extraction adaptor (20), turn the router upside down and place on a stable surface. Fix dust extraction adaptor (20) in the top of the base plate (12) with the two screws (18) (Fig.7).

Dust extraction prevents large accumulations of dust, high concentrations of dust in the ambient air, and facilitates disposal. For long periods of working with wood or for commercial use on materials that produce dust that is detrimental to health, the machine is to be connected to a suitable external dust extraction device (Fig.8).

When using dust extraction, be sure that the vacuum cleaner is out of the way and secure so that it will not tip over or interfere with the router or workpiece. The vacuum hose and power cord must also be positioned so that they don't interfere with the router or workpiece. Turn on vacuum cleaner before router. Empty the vacuum cleaner as necessary.



Connection to the power supply

1. Make sure the on/off switch (1) is in its off position.
2. Connect the plug with a suitable socket.



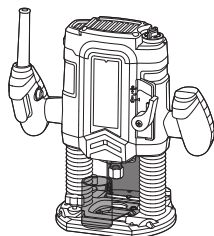
WARNING! Check the voltage! The voltage must comply with the information on the rating label!

3. Your product is now ready to be used.



In more detail...

Product functions	27
Operation	34
Care and maintenance	36
Trouble shooting	39
Guarantee	40
Declaration of conformity	41



Intended use

This product is intended for routing grooves, edges, profiles and elongated holes as well as for template cuts in wood, plastic and light building materials, while resting firmly on the workpiece.

Coarse adjusting the depth cut

The depth of cut is the distance between the depth stop (8) and the depth stop buffer (7). Set the step buffer (7) to its lowest position. Loosen the locking screw (10) so that depth stop (8) can be moved freely. Push down the plunge lock lever (4) clockwise and plunge the router down until the router bit touches the workpiece, then lock the router in position by releasing the plunge lock lever (4). At this time, the depth stop (8) against the depth stop buffer (7) and then lock the depth stop (8) by tighten the locking screw (10). Set to "0" by move the depth stop arrow (8a). Adjust the depth stop (8) so that it touches the lowest step of the step buffer (7) and read the indicated value from the scale. (Fig.9).

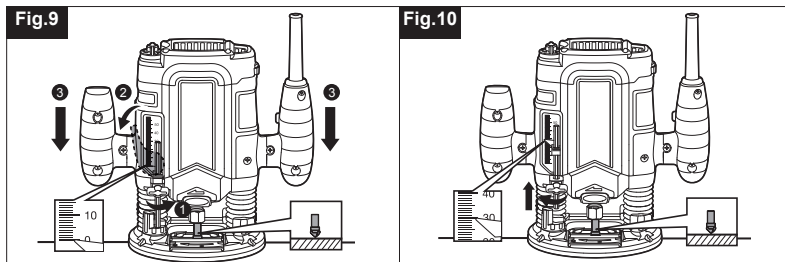
Add the desired cutting depth and then adjust the depth stop (8) accordingly.

Example: The indicated value is 0 mm, the desired cutting depth is 30 mm. The total value is 30 mm. Pull the depth stop (8) upward until 30 mm is indicated.

Tighten the locking screw (10) to fix the depth stop (8) in place. (Fig.10) Push down the plunge lock lever (4) clockwise and guide the router back up again.



WARNING! Do not operate for long periods at low speed because excess heat will be produced internally.

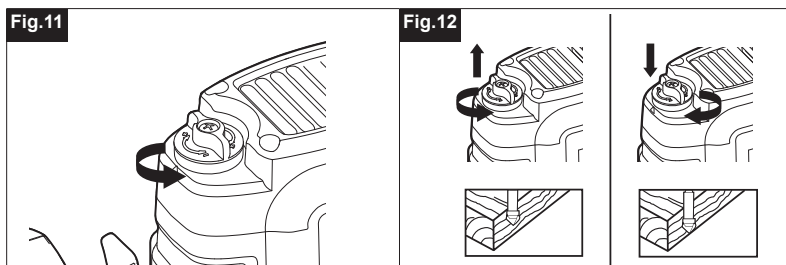


Fine adjusting the depth cut

Use the adjustment knob (9a) for precise setting of cutting depth. The adjustment can be done both in locking and releasing position of lunge lock lever (4). Turning of adjustment knob (9a) can perform fine adjustment of cutting depth according following information:

- 1 mark on scale wheel (9b) = 0.1 mm
- 1 turn of scale wheel (9b) = 2.0 mm
- Total adjustment range = 0-8 mm

1. Align the "0" mark on the scale wheel (9b) with the fixed indicator on the housing by turning the scale wheel (9b) without touching the adjustment knob (9a) (Fig. 11).
2. Rotate adjustment knob (9a) clockwise to increase the cutting depth while the scale wheel (9b) turns with the adjustment knob (9a) synchronously.
3. Rotate adjustment knob (9a) anticlockwise to decrease the cutting depth while the scale wheel (9b) turns with the adjustment knob (9a) synchronously (Fig. 12).



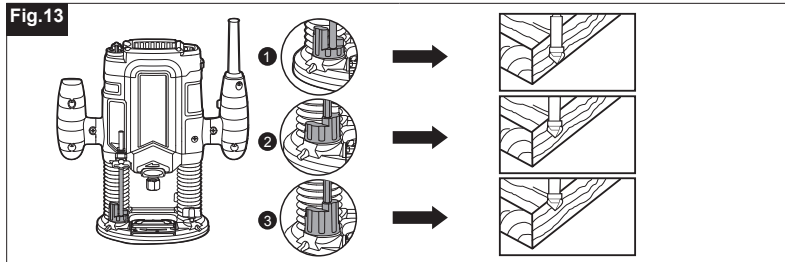
Usage of the depth stop buffer

1. Dividing the cutting procedure in several steps

For deep cuts, it is recommended to carry out several cuts, each with less material removal. By using the depth step buffer (7), the cutting process can be divided into several steps. Set the required depth-of-cut with the lowest step of the step buffer (7). The higher steps can then be used for the first three cuts (Fig. 13).

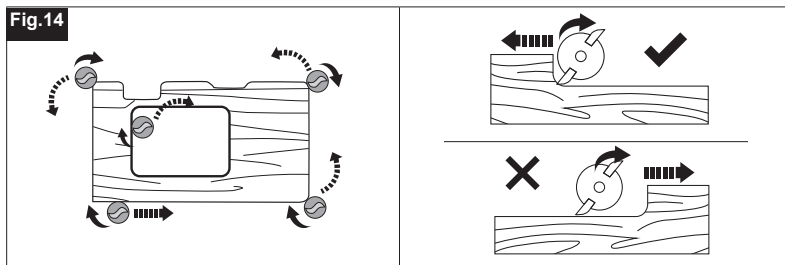
2. Pre-adjustment of varying depth-of-cuts

If several different depth-of-cuts are required for the machining of a workpiece, these can also be pre-adjusted by using the step buffer (7).



Routing for general tasks

The feed motion of the router must always be carried out against the rotation direction of the router bit (up-grinding). When milling in the direction with the rotation of the router bit (down-cutting), the router can break loose, causing loss of control (Fig.14).



Speed adjuster

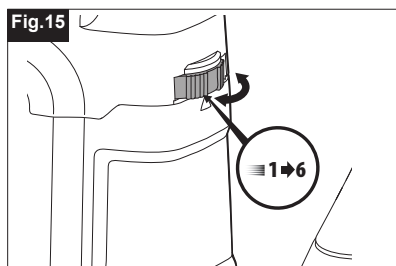
With the thumbwheel (3), the required speed can be selected (Fig.15).

- 1-2 low speed
- 3-4 medium speed
- 5-6 high speed

Material	Router bit diameter	Speed stages
Hardwood (Beech)	4-10mm	5-6
	12-20mm	3-4
	22-40mm	1-2
Softwood (Pine)	4-10mm	5-6
	12-20mm	3-6
	22-40mm	1-3
Particle board	4-10mm	3-6
	12-20mm	2-4
	22-40mm	1-3
Plastic	4-15mm	2-3
	16-40mm	1-2

The values shown in the chart are standard values. The necessary speed depends on the material and the operating conditions, and can be determined by practical testing.

After longer periods of working at low speed, allow the machine to cool by running for approx. 3 minutes at maximum speed with no load.



On/off switch



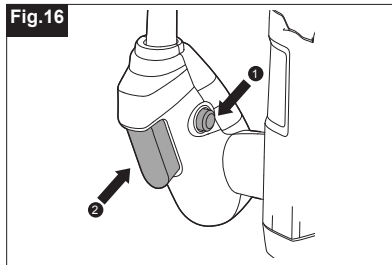
WARNING! Always check that the power supply is the same as that indicated on the nameplate of the tool.

The tool is equipped with a lock-off button (2) to avoid unintentional starting.



WARNING! Before plugging the tool into the power point always check that the trigger switch and lock-off button 2 work properly.

To switch on, depress the lock-off button (2) and squeeze the trigger switch (1). To switch off, release the trigger switch (1) (Fig.16).



Routing Process

Adjust the depth-of-cut as previously described. Place the router on the workpiece and switch on. Push down the plunge lock lever (4) and slowly lower the router until the depth stop (8) contacts the depth step buffer (7). Lock the router in position by releasing the plunge lock lever (4), carry out the cutting procedure, being careful to apply steady, even pressure at all times. After finishing the cutting process, push down on the plunge lock lever (4) and allow the router to return to the raised position. Again and switch off.

1. Routing with guide bush

The guide bush (21) enables template and pattern routing on workpieces. Turn the router upside down. Fix guide bush (21) to the bottom of the base plate (12) with the two screws (18) and two fixing nuts (19) (Fig.17). Set up the router with the guide bush (21) against the template. Set the required cutting depth as described above. Lead the router with projecting guide bush along the template edge, with light sideward pressure (Fig.18).



NOTE: If the guide bush is to be used with the dust extraction adapter, the two fixing nuts do not need to be used. In this case, align the dust extraction adapter in position and then fit the guide bush, aligning the screws with the nuts in the dust extraction adapter.



WARNING! Choose a router bit with a smaller diameter than the inner diameter of the guide bush. Router bits with a diameter of more than 17mm can't be used by this guide bush.



WARNING! The template must have a minimum thickness of 6mm, due to the projecting height of the guide bushing.

Fig.17

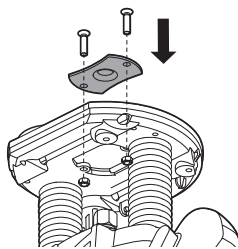
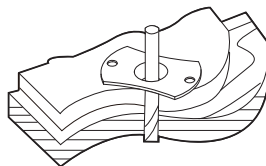
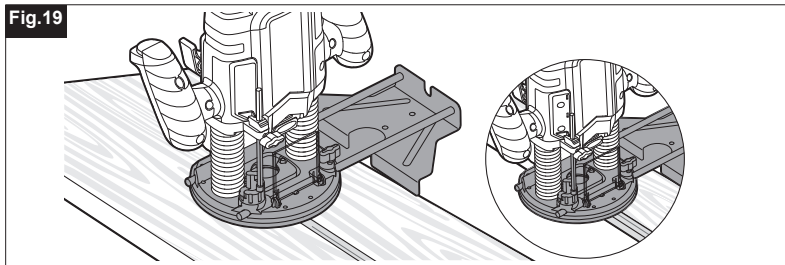


Fig.18



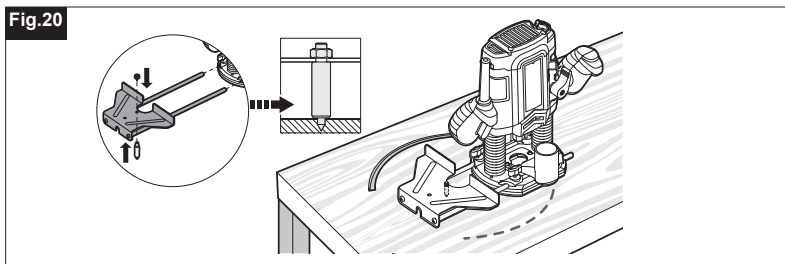
2. Routing with parallel guide

Slide the parallel guide (15) with the guide rods into the base plate (12) and tighten at the required measurement with the screws for edge guide (11). Guide the machine with uniform feed and side-ward pressure on the parallel guide (15) along the edge of the workpiece (Fig.19).



3. Routing circular arc profiles

Invert the parallel guide (15) and insert the guide rods into the base plate (12). The 90 degree edge guide faces should now be pointing upwards. Insert centering pin (17) in one of the centre holes of the base plate (12), securing with the nut provided. Puncture centering pin (17) into marked centre of the circular arc and guide router with consistent feed across the workpiece surface, cutting a circle (Fig.20).



The golden rules for cleaning



WARNING! Always switch the product off, disconnect the product from the power supply and let the product cool down before performing inspection, maintenance and cleaning work!

- ① Keep the product clean. Remove debris from it after each use and before storage.
- ② Regular and proper cleaning will help ensure safe use and prolong the life of the product.
- ③ Inspect the product before each use for worn and damaged parts. Do not operate it if you find broken and worn parts.



WARNING! Only perform repairs and maintenance work according to these instructions! All further works must be performed by a qualified specialist!

General cleaning



WARNING! Do not use chemical, alkaline, abrasive or other aggressive detergents or disinfectants to clean this product as they might be harmful to its surfaces.

- Clean the product with a dry cloth. Use a brush for areas that are hard to reach.
- In particular, clean the air vents after every use with a cloth and brush.
- Remove stubborn dirt with high pressure air (max. 3 bar).

- Check for worn or damaged parts. Replace worn parts as necessary or contact an authorised service centre for repair before using the product again.

Maintenance

Before and after each use, check the product and accessories (or attachments) for wear and damage. If required, exchange them for new ones as described in this instruction manual. Observe the technical requirements.

Power cord

If the supply cord of this tool is damaged, it must be replaced by a specially prepared cord available through the service organisation

Plug replacement

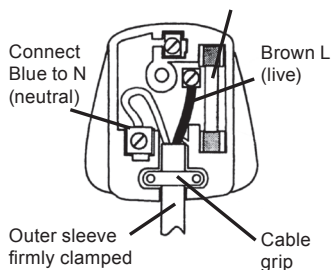
If you need to replace the fitted plug, then follow the instructions below.

IMPORTANT: The wires in the mains lead are coloured in accordance with the following code:

Blue – Neutral Brown – Live

As the colours of the wire in the mains lead of this product may not correspond with the coloured marking identifying the terminals in your plug, proceed as follows. The wire, which is coloured blue, must be connected to the terminal, which is marked with N or coloured black. The wire, which is coloured brown, must be connected to the terminal, which is marked L or coloured red.

13AMP fuse approved to BS 1362



WARNING! Never connect live or neutral wires to the earth terminal of the plug, which is marked with E.

Only fit an approved 13 Amp BS1363 or BS1363/A plug and the correctly rated fuse. If in doubt, consult a qualified electrician.



NOTE: If a moulded plug is fitted and has to be removed take great care in disposing of the plug and severed cable, it must be destroyed to prevent engaging into a socket.

Recycling and disposal



Waste electrical products should not be disposed of with household waste. Please recycle where facilities exist. Check with your Local Authority or retailer for recycling advice.

For further information visit www.recycle-more.co.uk

Repair

- This product does not contain any parts that can be repaired by the consumer. Contact an authorised service centre or a similarly qualified person to have it checked and repaired.

Storage

- Clean the product as described above.
- Store the product and its accessories in a dark, dry, frost-free, well-ventilated place.
- Always store the product in a place that is inaccessible to children.
- We recommend using the original package for storage or covering the product with a suitable cloth or enclosure to protect it against dust.

Transportation

- Switch the product off and disconnect it from power supply before transporting it anywhere.
- Attach transportation guards, if applicable.
- Always carry the product by its handle.
- Protect the product from any heavy impact or strong vibrations which may occur during transportation in vehicles.
- Secure the product to prevent it from slipping or falling over.

Trouble shooting

Suspected malfunctions are often due to causes that the users can fix themselves. Therefore check the product using this section. In most cases the problem can be solved quickly.



WARNING! Only perform the steps described within these instructions! All further inspection, maintenance and repair work must be performed by an authorized service centre or a similarly qualified specialist if you cannot solve the problem yourself!

Problem	Possible cause	Solution
Product does not start	Not connected to power supply	Connect to power supply
	Power cord or plug is defective	Check by a specialist electrician.
	Other electrical defect to the product	Check by a specialist electrician
Product does not reach full power	Extension cord not suitable for operation with this product	Use a proper extension cord
	Power source (e.g. generator) has too low voltage	Connect to another power source
	Air vents are blocked	Clean the air vents
Unsatisfactory result	Blade is worn	Replace with a new one
	Blade not suitable for workpiece material	Use proper blade

Guarantee

We take special care to select high quality materials and use manufacturing techniques that allow us to create products incorporating design and durability. This product (TITAN 1200W Router) has a manufacturer's guarantee of 2 years against manufacturing defects, from the date of purchase (if bought in store) or date of delivery (if bought online), at no additional cost.

To make a claim under this guarantee, you must present your proof of purchase (such as a sales receipt, purchase invoice or other evidence admissible under applicable law), please keep your proof of purchase in a safe place. For this guarantee to apply, the product you purchased must be new, it will not apply to second hand or display products. Unless stated otherwise by applicable law, any replacement product issued under this guarantee will only be guaranteed until expiry of the original period guarantee period.

This guarantee covers product failures and malfunctions provided the product was used for the purpose for which it is intended and subject to installation, cleaning, care and maintenance in accordance with the information contained in these terms and conditions, in the user manual and standard practice, provided that standard practice does not conflict with the user manual.

This guarantee does not cover defects and damage caused by normal wear and tear or damage that could be the result of improper use, faulty installation or assembly, neglect, accident, misuse, or modification of the product. Unless stated otherwise by applicable law, this guarantee will not cover, in any case, ancillary costs (shipping, movement, costs of uninstalling and reinstalling, labour etc), or direct and indirect damage.

This guarantee does not cover defects and damage caused by or resulting from:

Normal wear and tear

Overload, misuse or neglect

Repairs attempted by anyone other than an authorised agent

Cosmetic damage

Damage caused by foreign objects, substances or accidents

Accidental damage or modification

Failure to follow manufacturer's guidelines



Loss of use of the goods

If the product is defective, we will, within a reasonable time, repair or replace it.

Rights under this guarantee are enforceable in the country in which you purchased this product. Guarantee related queries should be addressed to the store you purchased this product from.

The guarantee is in addition to and does not affect your statutory rights.

EC declaration of conformity

 (UK) DECLARATION OF CONFORMITY		
Product		
<ul style="list-style-type: none"> • 1200W Router • MR1200 / TTB883ROU • Serial number 00001-99999 		
Name and address of the manufacturer or his authorised representative:		
Kingfisher International Products Limited 3 Sheldon Square London W2 6PX United Kingdom		
This declaration of conformity is issued under the sole responsibility of the manufacturer.		
Object of the declaration		
Product	Model	EAN
1200W Router	TTB883ROU MR1200	5059340253664 5059340253640
The object of the declaration described above is in conformity with the relevant legislation:		
Supply of Machinery (Safety) Regulations 2008 as amended Electromagnetic Compatibility Regulations 2016 as amended The Restriction of the use of Certain Hazardous Substances in Electrical and Electronic Equipment Regulations 2012 as amended		
References to the relevant designated standards used or references to the other technical specifications in relation to which conformity is declared:		
EN 62841-1-2015	BS EN 62841-1:2015	
EN 62841-2-17:2017	BS EN 62841-2-17:2017	
EN 55014-1:2017+A11:2020	BS EN 55014-1:2017+A11:2020	
EN 55014-2:2015	BS EN 55014-2:2015	
EN IEC 61000-3-2:2019	BS EN IEC 61000-3-2:2019	
EN 61000-3-3:2013+A1:2019	BS EN 61000-3-3:2013+A1:2019	
Authorized Signatory and technical file holder Kingfisher International Products Limited 3 Sheldon Square London W2 6PX United Kingdom		
		
David Awe Group Quality Director		
		on: 15/12/2021

In more detail...



(EN) EU DECLARATION OF CONFORMITY
 (FR) DÉCLARATION UE DE CONFORMITÉ
 (PL) DEKLARACJA ZGODNOŚCI UE
 (RO) DECLARAȚIA DE CONFORMITATE UE
 (ES) DECLARACIÓN UE DE CONFORMIDAD
 (PT) DECLARAÇÃO DE CONFORMIDADE UE

Product/ Produit/ Produkt/Produsul/Producto/Produto		
<ul style="list-style-type: none"> • 1200W Router/Défonceuse 1200W/Frezarka 1200W/Freză electrică de 1200 W/ Fresadora de 1200 W/Tupia de 1200 W • MR1200 / TTB883ROU • Serial number 00001-99999 		
Name and address of the manufacturer or his authorised representative: Nom et adresse du fabricant ou de son mandataire: Nazwa i adres producenta lub jego upoważnionego przedstawiciela: Denumirea și adresa producătorului sau a reprezentantului său autorizat: Nombre y dirección del fabricante o de su representante autorizado: Nome e endereço do fabricante ou do respetivo mandatário:		
Kingfisher International Products B.V., Rapenburgerstraat 175E, 1011 VM Amsterdam, The Netherlands		
This declaration of conformity is issued under the sole responsibility of the manufacturer. La présente déclaration de conformité est établie sous la seule responsabilité du fabricant. Niniejsza deklaracja zgodności wydana zostaje na wyłączną odpowiedzialność producenta. Prezenta declarație de conformitate este emisă pe răspunderea exclusivă a producătorului. La presente declaración de conformidad se expide bajo la exclusiva responsabilidad del fabricante. A presente declaração de conformidade é emitida sob a exclusiva responsabilidade do fabricante.		
Object of the declaration/ Objet de la déclaration/ Przedmiot deklaracji/ Obiectul declarației/ Objeto de la declaración/ Objeto da declaração		
Product/ Produit/ Produkt/ Produsul/ Producto/ Produto	Model/ Modèle/ Model/ Modelul/ Modelo/ Modelo	EAN
1200W Router/Défonceuse 1200W/Frezarka 1200W/ Freză electrică de 1200 W/ Fresadora de 1200 W/Tupia de 1200 W	TTB883ROU MR1200	5059340253664 5059340253671 5059340253640 5059340253657

<p>The object of the declaration described above is in conformity with the relevant Union harmonisation legislation: L'objet de la déclaration décrit ci-dessus est conforme à la législation d'harmonisation de l'Union applicable: Wymieniony powyżej przedmiot niniejszej deklaracji jest zgodny z odnośnymi wymaganiami unijnego prawodawstwa harmonizacyjnego: Obiectul declarației descris mai sus este în conformitate cu legislația relevantă de armonizare a Uniunii: El objeto de la declaración descrita anteriormente es conforme con la legislación de armonización pertinente de la Unión: O objeto da declaração acima descrito está em conformidade com a legislação de harmonização da União aplicável:</p>	
2006/42/EC as amended	Machinery Directive
2014/30/EU as amended	Directive Electromagnetic compatibility
2011/65/EU as amended	Directive Restriction of the use of certain hazardous substances in electrical and electronic equipment
Directive 2006/42/CE relative aux machines	
2014/30 / UE telle que modifiée	Directive Compatibilit�� electromagn��tique
Directive 2011/65/UE relative � la limitation de l'utilisation de certaines substances dangereuses dans les �quipements �lectriques et �lectroniques	
2006/42/WE w zmiennej dyrektywie maszynowej	
2014/30 / UE ze zmianami Dyrektywa Kompatybilno�� elektromagnetyczna	
2011/65 / UE ze zmianami Dyrektywa Ograniczenie stosowania niekt�rych niebezpiecznych substancji w sprz�cie elektrycznym i elektronicznym	
2006/42/CE, astfel a fost modificat� Directiva privind echipamentele	
2014/30/UE, astfel a fost modificat� Directiva privind compatibilitatea electromagnetice	
2011/65/UE, astfel a fost modificat� Directiva privind limitarea utilizării anumitor substan�e periculoase �n echipamentele electrice �i electronice	
Directiva sobre maquinaria modificada 2006/42/CE	
2014/30/UE modificada Directiva Compatibilidad electromagn�tica	
2011/65/UE modificada Directiva Restricci�n del uso de determinadas sustancias peligrosas en equipos �lectricos y electr�nicos	
2006/42/CE como diretiva de m�quinas alteradas	
2014/30/UE como altera�o da compatibilidade eletromagn�tica	
2011/65/UE como restri�o diretiva alterada da utiliza�o de certas subst�ncias peligrosas em equipamentos �tricos e eletr�nicos	

References to the relevant harmonised standards used or references to the other technical specifications in relation to which conformity is declared:

Références des normes harmonisées pertinentes appliquées, y compris la date de celles-ci, ou des autres caractéristiques techniques, y compris la date de celles-ci, par rapport auxquelles la conformité est déclarée:

Odwołania do odnośnych norm zharmonizowanych, które zastosowano, wraz z datą normy, lub do innych specyfikacji technicznych, wraz z datą specyfikacji, w odniesieniu do których deklarowana jest zgodność:

Trimiteri la standardele armonizate relevante folosite, inclusiv data standardului, sau trimiteri la celelalte specificații tehnice, inclusiv data specificațiilor, în legătură cu care se declară conformitatea:

Referencias a las normas armonizadas pertinentes utilizadas, incluidas las fechas de las normas, o referencias a las otras especificaciones técnicas, incluidas las fechas de las especificaciones, respecto a las cuales se declara la conformidad:

Referências às normas harmonizadas aplicáveis utilizadas, incluindo a data da norma, ou às outras especificações técnicas, incluindo a data da especificação, em relação às quais é declarada a conformidade:

EN 62841-1:2015

EN 62841-2-17:2017

EN 55014-1:2017+A11:2020

EN 55014-2:2015

EN IEC 61000-3-2:2019

EN 61000-3-3:2013+A1:2019

Authorized Signatory and technical file holder/ Signataire et responsable de la documentation technique autorisé/ Podmiot uprawniony do wystawienia i adres przechowywania dokumentacji technicznej/ Semnatar autorizat și deținătorul dosarului ethnic/ Firmante autorizado y titular del expediente técnico/Signatário autorizado e detentor da ficha técnica:

Kingfisher International Products B.V.,
Rapunburgerstraat 175E,
1011 VM Amsterdam,
The Netherlands



David Awe
Group Quality Director

on: 15/12/2021

TITAN

Manufacturer, Fabricant, Producent, Producător, Fabricante:

UK Manufacturer:

Kingfisher International Products Limited
3 Sheldon Square, London, W2 6PX
United Kingdom
www.kingfisher.com/products

EU Manufacturer:

Kingfisher International Products B.V.
Rapenburgerstraat 175E
1011 VM Amsterdam
The Netherlands
www.kingfisher.com/products

- | | | |
|-----------|--|---|
| EN | www.screwfix.com
www.screwfix.ie | To view instruction manuals online, visit
www.kingfisher.com/products |
| FR | www.bricodepot.fr | Pour consulter les manuels d'instructions en ligne,
rendez-vous sur le site www.kingfisher.com/products |
| ES | www.bricodepot.es | Para consultar los manuales de instrucciones en línea,
visite www.kingfisher.com/products |
| PT | www.bricodepot.pt | Para consultar manuais de instruções online, visite
www.kingfisher.com/products |