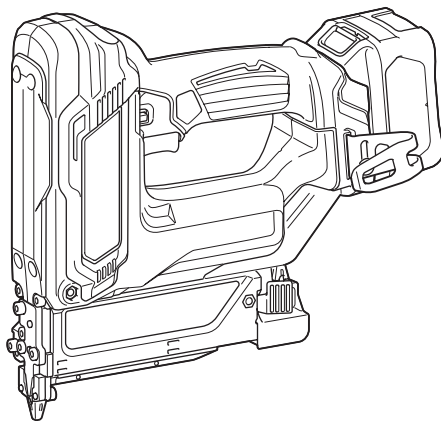




EN	Cordless Pin Nailer	INSTRUCTION MANUAL	5
SV	Batteridrivnen stiftpistol	BRUKSANVISNING	10
NO	Batteridrevet spikerpistol	BRUKSANVISNING	15
FI	Akkukäyttöinen Naulain	KÄYTTÖOHJE	20
LV	Bezvada tapotājs	LIETOŠANAS INSTRUKCIJA	25
LT	Belaidis segtukų kaltuvas	NAUDOJIMO INSTRUKCIJA	30
ET	Juhtmeta needipüstol	KASUTUSJUHEND	35
RU	Аккумуляторный Скобосшиватель	РУКОВОДСТВО ПО ЭКСПЛУАТАЦИИ	40

PT354D



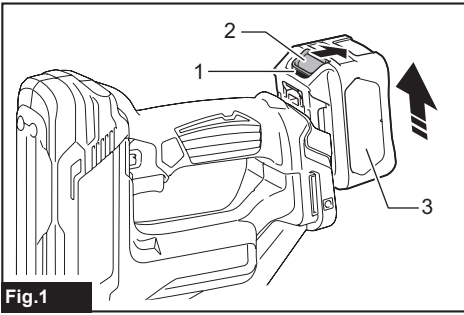


Fig.1

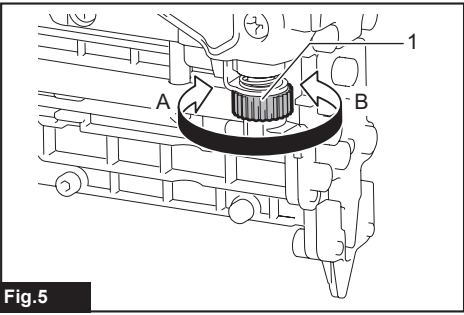


Fig.5

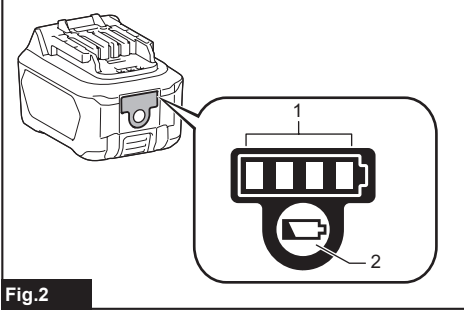


Fig.2

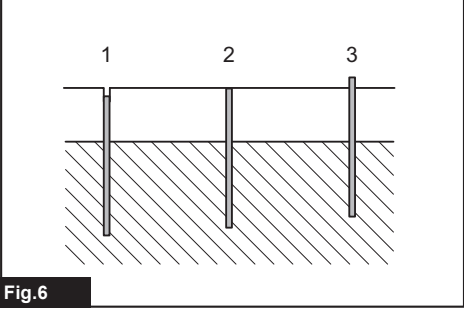


Fig.6

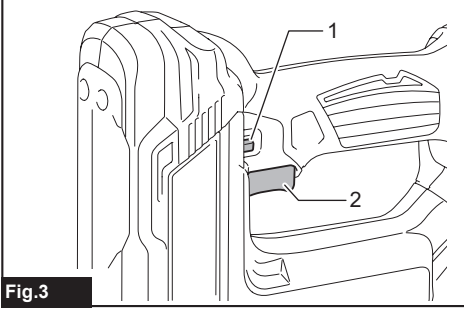


Fig.3

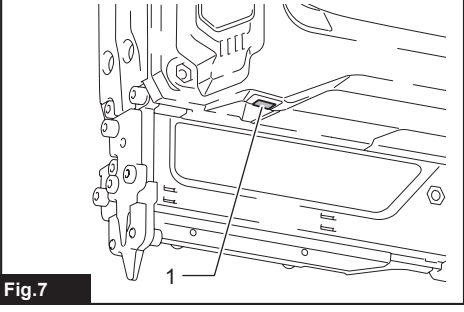


Fig.7

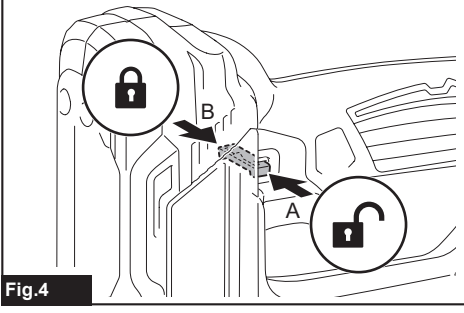


Fig.4

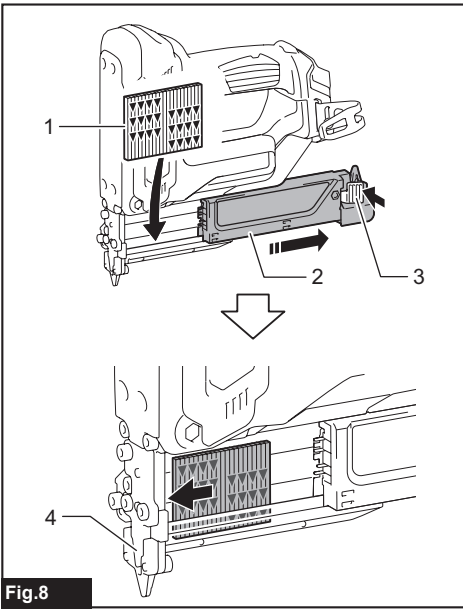


Fig. 8

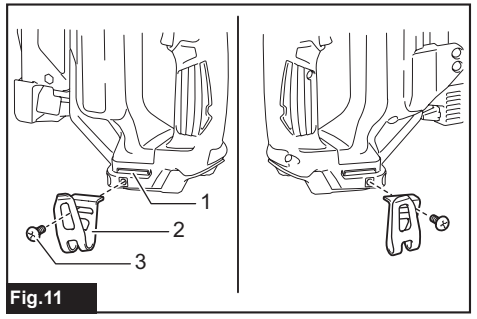


Fig. 11

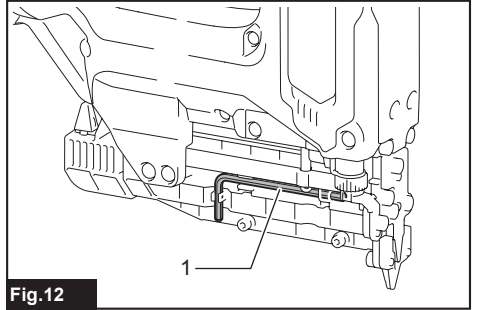


Fig. 12

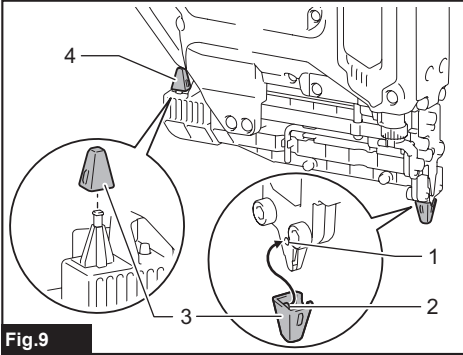


Fig. 9

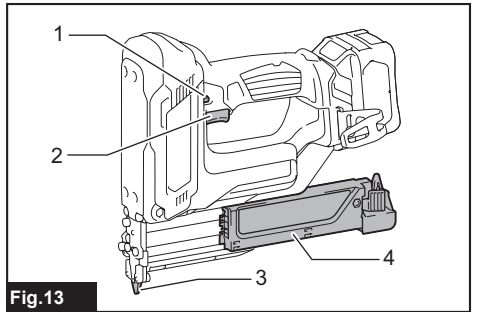


Fig. 13

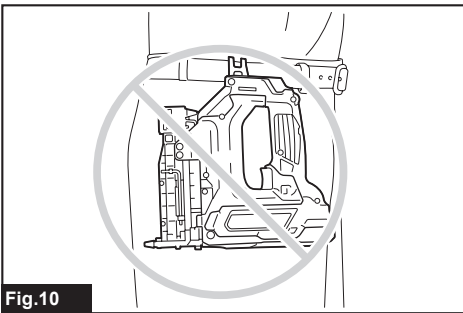


Fig. 10

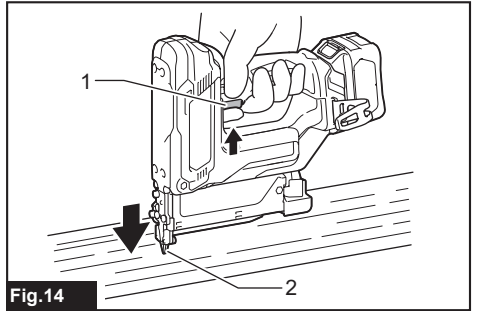
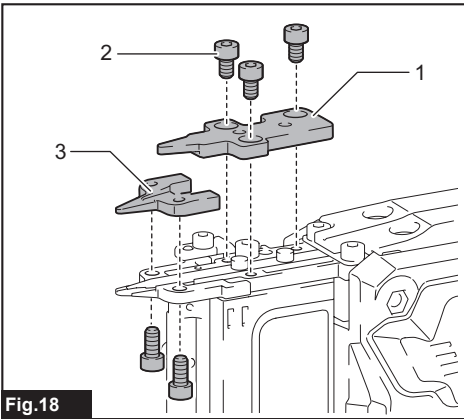
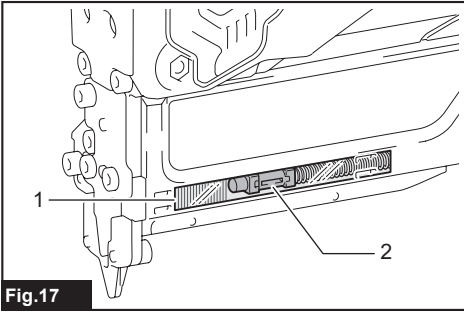
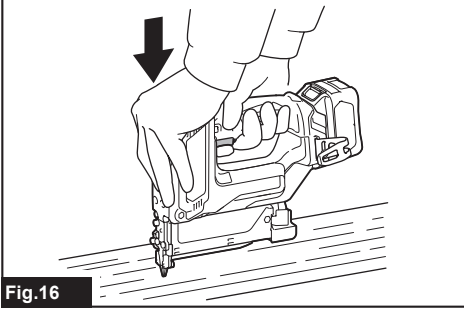
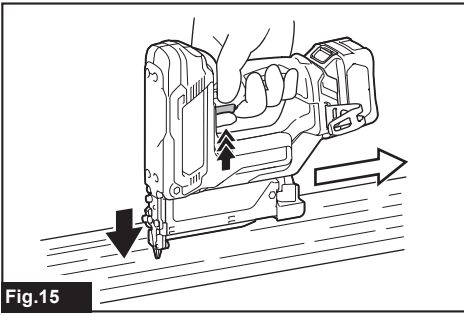


Fig. 14



SPECIFICATIONS

Model:	PT354D	
Pin nail size	ø0.6 mm x 15, 18, 25, 30, 35 mm	
Pin nail magazine capacity	100 pcs.	
Dimensions without hook (L x W x H)	231 mm x 80 mm x 226 mm	
Rated voltage	D.C. 10.8 V	
Battery cartridge	BL1015, BL1020B	BL1040B
Net weight	1.8 kg	2.0 kg

- Due to our continuing program of research and development, the specifications herein are subject to change without notice.
- Specifications and battery cartridge may differ from country to country.
- The weight may differ depending on the attachment(s), including the battery cartridge. The lightest and heaviest combination, according to EPTA-Procedure 01/2014, are shown in the table.

Intended use

The tool is intended for pressing pin nails into construction materials such as timbers.

Noise

The typical A-weighted noise level determined according to EN60745:

Sound pressure level (L_{pA}) : 76 dB(A)

Uncertainty (K) : 3 dB(A)

The noise level under working may exceed 80 dB (A).

⚠WARNING: Wear ear protection.

Vibration

The vibration total value determined according to EN60745:

Vibration emission (a_h) : 2.5 m/s² or less

Uncertainty (K) : 1.5 m/s²

NOTE: The declared vibration emission value has been measured in accordance with the standard test method and may be used for comparing one tool with another.

NOTE: The declared vibration emission value may also be used in a preliminary assessment of exposure.

⚠WARNING: The vibration emission during actual use of the power tool can differ from the declared emission value depending on the ways in which the tool is used.

⚠WARNING: Be sure to identify safety measures to protect the operator that are based on an estimation of exposure in the actual conditions of use (taking account of all parts of the operating cycle such as the times when the tool is switched off and when it is running idle in addition to the trigger time).

EC Declaration of Conformity

For European countries only

The EC declaration of conformity is included as Annex A to this instruction manual.

SAFETY WARNINGS

General power tool safety warnings

⚠WARNING: Read all safety warnings, instructions, illustrations and specifications provided with this power tool. Failure to follow all instructions listed below may result in electric shock, fire and/or serious injury.

Save all warnings and instructions for future reference.

The term "power tool" in the warnings refers to your mains-operated (corded) power tool or battery-operated (cordless) power tool.

Cordless nailer safety warnings

1. **Always assume that the tool contains fasteners.** Careless handling of the nailer can result in unexpected firing of fasteners and personal injury.
2. **Do not point the tool towards yourself or anyone nearby.** Unexpected triggering will discharge the fastener causing an injury.
3. **Do not actuate the tool unless the tool is placed firmly against the workpiece.** If the tool is not in contact with the workpiece, the fastener may be deflected away from your target.
4. **Disconnect the tool from the power source when the fastener jams in the tool.** While removing a jammed fastener, the nailer may be accidentally activated if it is plugged in.
5. **Use caution while removing a jammed fastener.** The mechanism may be under compression and the fastener may be forcefully discharged while attempting to free a jammed condition.

6. **Do not use this nailer for fastening electrical cables.** It is not designed for electric cable installation and may damage the insulation of electric cables thereby causing electric shock or fire hazards.
7. **Always wear safety glasses to protect your eyes from dust or fastener injury.**
⚠WARNING: It is an employer's responsibility to enforce the use of safety eye protection equipment by the tool operators and by other persons in the immediate working area.
8. **Keep hands and feet away from the ejection port area.**
9. **Follow instruction for lubricating and changing accessories.**
10. **Always remove the battery cartridge before loading the fasteners, adjustment, inspection, maintenance or after operation is over.**
11. **Make sure no one is nearby before operation. Never attempt to drive fasteners from both the inside and outside of wall at the same time. Fasteners may rip through and/or fly off, presenting a grave danger.**
12. **Watch your footing and maintain your balance with the tool. Make sure there is no one below when working in high locations.**
13. **Never use fastener driving tools marked with the symbol "Do not use on scaffoldings, ladders" for specific application for example:**
 - when changing one driving location to another involves the use of scaffoldings, stairs, ladders, or ladder alike constructions, e.g. roof laths;
 - closing boxes or crates;
 - fitting transportation safety systems e.g. on vehicles and wagons.
14. **Check walls, ceilings, floors, roofing and the like carefully to avoid possible electrical shock, gas leakage, explosions, etc. caused by stapling into live wires, conduits or gas pipes.**
15. **Use only fasteners specified in this manual. The use of any other fasteners may cause malfunction of the tool.**
16. **Do not tamper with the tool or attempt to use it for other than driving fasteners.**
17. **Do not operate the tool without fasteners. It shortens the service life of the tool.**
18. **Stop driving operations immediately if you notice something wrong or out of the ordinary with the tool.**
19. **Never fasten into any materials which may allow the fastener to puncture and fly through as a projectile.**
20. **Never actuate the switch trigger and contact element at the same time until you are prepared to fasten workpieces. Allow the workpiece to depress the contact element. Never defeat its purpose by securing the contact element back or by depressing it by hand.**
21. **Never tamper with the contact element. Check the contact element frequently for proper operations.**
22. **Always remove fasteners from the tool when not in use.**

SAVE THESE INSTRUCTIONS.

⚠WARNING: DO NOT let comfort or familiarity with product (gained from repeated use) replace strict adherence to safety rules for the subject product. MISUSE or failure to follow the safety rules stated in this instruction manual may cause serious personal injury.

Important safety instructions for battery cartridge

1. **Before using battery cartridge, read all instructions and cautionary markings on (1) battery charger, (2) battery, and (3) product using battery.**
2. **Do not disassemble battery cartridge.**
3. **If operating time has become excessively shorter, stop operating immediately. It may result in a risk of overheating, possible burns and even an explosion.**
4. **If electrolyte gets into your eyes, rinse them out with clear water and seek medical attention right away. It may result in loss of your eyesight.**
5. **Do not short the battery cartridge:**
 - (1) **Do not touch the terminals with any conductive material.**
 - (2) **Avoid storing battery cartridge in a container with other metal objects such as nails, coins, etc.**
 - (3) **Do not expose battery cartridge to water or rain.**

A battery short can cause a large current flow, overheating, possible burns and even a breakdown.
6. **Do not store the tool and battery cartridge in locations where the temperature may reach or exceed 50 °C (122 °F).**
7. **Do not incinerate the battery cartridge even if it is severely damaged or is completely worn out. The battery cartridge can explode in a fire.**
8. **Be careful not to drop or strike battery.**
9. **Do not use a damaged battery.**
10. **The contained lithium-ion batteries are subject to the Dangerous Goods Legislation requirements.** For commercial transports e.g. by third parties, forwarding agents, special requirement on packaging and labeling must be observed. For preparation of the item being shipped, consulting an expert for hazardous material is required. Please also observe possibly more detailed national regulations. Tape or mask off open contacts and pack up the battery in such a manner that it cannot move around in the packaging.
11. **Follow your local regulations relating to disposal of battery.**

SAVE THESE INSTRUCTIONS.

⚠CAUTION: Only use genuine Makita batteries. Use of non-genuine Makita batteries, or batteries that have been altered, may result in the battery bursting causing fires, personal injury and damage. It will also void the Makita warranty for the Makita tool and charger.

Tips for maintaining maximum battery life

1. **Charge the battery cartridge before completely discharged. Always stop tool operation and charge the battery cartridge when you notice less tool power.**
2. **Never recharge a fully charged battery cartridge. Overcharging shortens the battery service life.**
3. **Charge the battery cartridge with room temperature at 10 °C - 40 °C (50 °F - 104 °F). Let a hot battery cartridge cool down before charging it.**

FUNCTIONAL DESCRIPTION

CAUTION: Always be sure that the tool is switched off and the battery cartridge is removed before adjusting or checking function on the tool.

Installing or removing battery cartridge

CAUTION: Always switch off the tool before installing or removing of the battery cartridge.

CAUTION: Hold the tool and the battery cartridge firmly when installing or removing battery cartridge. Failure to hold the tool and the battery cartridge firmly may cause them to slip off your hands and result in damage to the tool and battery cartridge and a personal injury.

► Fig.1: 1. Red indicator 2. Button 3. Battery cartridge

To remove the battery cartridge, slide it from the tool while sliding the button on the front of the cartridge.

To install the battery cartridge, align the tongue on the battery cartridge with the groove in the housing and slip it into place. Insert it all the way until it locks in place with a little click. If you can see the red indicator on the upper side of the button, it is not locked completely.

CAUTION: Always install the battery cartridge fully until the red indicator cannot be seen. If not, it may accidentally fall out of the tool, causing injury to you or someone around you.

CAUTION: Do not install the battery cartridge forcibly. If the cartridge does not slide in easily, it is not being inserted correctly.

Battery protection system

The tool is equipped with a battery protection system. This system automatically cuts off power to the motor to extend battery life.

The tool will automatically stop during operation if the tool and/or battery are placed under one of the following conditions:

Overloaded:

The tool is operated in a manner that causes it to draw an abnormally high current. In this situation, turn the tool off and stop the application that caused the tool to become overloaded. Then turn the tool on to restart.

If the tool does not start, the battery is overheated. In this situation, let the battery cool before turning the tool on again.

Low battery voltage:

The remaining battery capacity is too low and the tool will not operate. If you turn the tool on, the motor does not run or the motor runs again but stops soon. In this situation, remove and recharge the battery.

Indicating the remaining battery capacity

Only for battery cartridges with the indicator

► Fig.2: 1. Indicator lamps 2. Check button

Press the check button on the battery cartridge to indicate the remaining battery capacity. The indicator lamps light up for few seconds.

Indicator lamps		Remaining capacity
Lighted	Off	
■ ■ ■ ■	□	75% to 100%
■ ■ ■ □	□	50% to 75%
■ ■ □ □	□ □	25% to 50%
■ □ □ □	□ □ □ □	0% to 25%

NOTE: Depending on the conditions of use and the ambient temperature, the indication may differ slightly from the actual capacity.

Trigger-lock button

CAUTION: Before installing the battery cartridge into the tool, always check to see that the switch trigger actuates properly and returns to the "OFF" position when released.

CAUTION: When not operating the tool, depress the trigger-lock button from B side to lock the switch trigger in the OFF position.

► Fig.3: 1. Trigger-lock button 2. Switch trigger

► Fig.4

To prevent the switch trigger from accidentally pulled, the trigger-lock button is provided.

To pull the switch trigger, depress the trigger-lock button from A side.

After use, always press in the trigger-lock button from B side.

Adjusting the depth of pin-nailing

WARNING: Always make sure that your fingers are not placed on the switch trigger or the contact element and the battery cartridge is removed before adjusting the depth of nailing.

Depth of pin-nailing can be adjusted on this pin nailer. To adjust the depth of nailing, turn the adjuster. The depth of nailing is the deepest when the adjuster is turned fully in the A direction shown in the figure. It will become shallower as the adjuster is turned in the B direction. Depth can be adjusted 1.5 mm to the maximum.

► Fig.5: 1. Adjuster

► Fig.6: 1. Too deep 2. Flush 3. Too shallow

Lighting up the lamp

CAUTION: Do not look in the light or see the source of light directly.

Pull the switch trigger or actuate the contact element to light up the lamp. The lamp keeps on lighting while pulling the switch trigger or actuating the contact element. The lamp goes out approximately 10 seconds after releasing the switch trigger and the contact element.

► **Fig.7:** 1. Lamp

NOTE: Use a dry cloth to wipe the dirt off the lens of the lamp. Be careful not to scratch the lens of lamp, or it may lower the illumination.

NOTE: Even in the lamp lights up when the battery power residual gets small, pin nailer may not fire pin nails. In this case, charge the battery cartridge.

ASSEMBLY

CAUTION: Always make sure that your fingers are not placed on the switch trigger or the contact element and the battery cartridge is removed before carrying out any work on the pin nailer.

Loading the pin nailer

CAUTION: Always make sure that the battery cartridge is removed before loading the pin nailer. Unintentional firing may cause personal injuries and property damage.

CAUTION: Do not abruptly slide the magazine of the pin nailer loaded with pin nails. Accidentally dropping pin nails especially when working in high places may cause personal injuries.

CAUTION: Load pin nails in the correct direction. Loading in wrong direction may cause premature wear and tear of the driver and damage of the other parts.

CAUTION: Do not use deformed connected pin nails. Use pin nails specified in this manual. Using pin nails other than those specified may cause pin nail jamming and breakage of the pin nailer.

1. Remove the battery cartridge.
2. Press the locking lever and slide the magazine backward.
3. Align the tip of pin nails with the grooves at the bottom of the magazine and push the whole part of pin nails toward the driver guide. (Be careful to place pin nails in the right direction.)
► **Fig.8:** 1. Pin nails 2. Magazine 3. Locking lever 4. Driver guide
4. After loading pin nails, push back the magazine in place until it clicks.

To remove pin nails, follow the installation procedures in reverse.

Nose adapter

CAUTION: Always make sure that your fingers are not placed on the switch trigger or the contact element and the battery cartridge is removed before installing the nose adapter.

When firing pin nails on the material with easily-marred surfaces, use the nose adapter. To install the nose adapter, place it over the driver guide cover so that the protrusion inside the nose adapter fits to the dent in the driver guide cover.

You can store the nose adapter on the holder on the back end of the magazine to keep it from being lost.

► **Fig.9:** 1. Dent 2. Protrusion 3. Nose adapter 4. Holder

Hook

CAUTION: Do not hang the hook from the waist belt. Dropping the pin nailer, which is caused by the hook accidentally coming out of place, may cause unintentional firing and result in personal injuries.

► **Fig.10**

The hook is convenient for temporarily hanging the tool. This can be installed on either side of the tool.

To install the hook, insert it into a groove in the tool housing on either side and then secure it with a screw. To remove, loosen the screw and then take it out.

► **Fig.11:** 1. Groove 2. Hook 3. Screw

Hex wrench storage

When not in use, store the hex wrench as shown in the figure to keep it from being lost.

► **Fig.12:** 1. Hex wrench

OPERATION

Testing the safety system

WARNING: Make sure all safety systems are in working order before operation. Failure to do so may cause personal injuries.

► **Fig.13:** 1. Trigger-lock button 2. Switch trigger 3. Contact element 4. Magazine

Test safety systems for possible fault before operation as follows.

1. Unload pin nails from the tool and keep the magazine opened.
2. Install the battery cartridge and release the trigger lock.
3. Only pull the switch trigger without touching the contact element against the material.
4. Only touch the contact element against the material without pulling the switch trigger.

If the tool operates in the case of 3 and 4 above, the safety systems are faulty. Stop using the tool immediately and ask your local service center.

Driving pin nails

⚠ WARNING: Continue to place the contact element firmly on the material until the pin nail is driven completely. Unintentional firing may cause personal injuries.

1. Release the trigger lock.
 2. Place flat the contact element on the material.
 3. Pull the switch trigger fully to drive a pin nail.
 4. To drive the next pin nail, release your finger from the switch trigger once, and then repeat the step 2 and 3 above.
- **Fig.14:** 1. Switch trigger 2. Contact element

You can also drive the pin nails when dragging the tool to the next area with the contact element pressed against the material and pulling the switch trigger.

► **Fig.15**

If the head of the pin nail remains above the workpiece surface, drive the pin nail while holding the pin nailer head firmly against the workpiece.

► **Fig.16**

NOTE: If the head of the pin nail still remains above the workpiece even you hold the pin nail head, the material may not be suitable for the pin nailer. Continuing to use the pin nailer on such material may result in a damage to the driver of the pin nailer and/ or pin nailer jamming.

Anti dry fire mechanism

⚠ WARNING: Always make sure that your fingers are not placed on the switch trigger or the contact element and the battery cartridge is removed before loading the pin nailer.

When the number of remaining pin nails in the magazine are 0 - 3 pieces, the switch trigger can no longer be pulled. At this time, insert a new strip of pin nails in the magazine and the switch trigger can be pulled again.

NOTE: When firing a different length of pin nails shortly after the anti-dry firing device has actuated, insert a new strip of pin nails into the magazine and fire away all the prior pin nails that have remained on junk material.

Checking remaining pin nails

You can check the amount of remaining pin nails through the sight window. The red indicator moves toward fastening opening with the amount of remaining pin nails become smaller.

► **Fig.17:** 1. Sight window 2. Indicator

Removing jammed pin nails

⚠ WARNING: Always make sure that the battery cartridge is removed before removing jammed pin nails.

Take out pin nails that remain inside the magazine. Remove three screws with the hex wrench that are securing the driver guide cover. Take the jammed nails from the nail guide groove that has appeared.

When it is difficult to take out the jammed nails, further remove two screws with the hex wrench that are securing the contact top cover. Then take them out.

► **Fig.18:** 1. Driver guide cover 2. Screw 3. Contact top cover

MAINTENANCE

⚠ CAUTION: Always be sure that the tool is switched off and the battery cartridge is removed before attempting to perform inspection or maintenance.

NOTICE: Never use gasoline, benzine, thinner, alcohol or the like. Discoloration, deformation or cracks may result.

To maintain product SAFETY and RELIABILITY, repairs, any other maintenance or adjustment should be performed by Makita Authorized or Factory Service Centers, always using Makita replacement parts.

OPTIONAL ACCESSORIES

⚠ CAUTION: These accessories or attachments are recommended for use with your Makita tool specified in this manual. The use of any other accessories or attachments might present a risk of injury to persons. Only use accessory or attachment for its stated purpose.

If you need any assistance for more details regarding these accessories, ask your local Makita Service Center.

- Pin nails
- Makita genuine battery and charger
- Safety goggles

NOTE: Some items in the list may be included in the tool package as standard accessories. They may differ from country to country.

SPECIFIKATIONER

Modell:	PT354D	
Stiftstorlek	ø0,6 mm x 15, 18, 25, 30, 35 mm	
Kapacitet stiftmagasin	100 st.	
Dimensioner utan krok (L x B x H)	231 mm x 80 mm x 226 mm	
Märkspänning	10,8 V likström	
Batterikassett	BL1015, BL1020B	BL1040B
Nettovikt	1,8 kg	2,0 kg

- På grund av vårt pågående program för forskning och utveckling kan dessa specifikationer ändras utan föregående meddelande.
- Specifikationer och batterikassett kan variera mellan olika länder.
- Vikten kan variera beroende på tillbehören, inklusive batterikassett. Den lättaste och den tyngsta kombinationen enligt EPTA-procedur 01/2014 visas i tabellen.

Avsedd användning

Maskinen är avsedd för att trycka stift i byggnadsmaterial som t.ex. virke.

Buller

Den normala bullernivån för A-belastning är bestämd enligt EN60745:

Ljudtrycksnivå (L_{pA}): 76 dB (A)

Måttolerans (K): 3 dB (A)

Bullernivån vid arbete kan överstiga 80 dB (A).

⚠ VARNING: Använd hörselskydd.

Vibration

Det totala vibrationsvärdet är bestämt enligt EN60745:

Vibrationsemission ($a_{i,r}$): 2,5 m/s² eller lägre

Måttolerans (K): 1,5 m/s²

OBS: Det deklarerade vibrationsemissionsvärdet har uppmätts i enlighet med standardtestmetoden och kan användas för att jämföra en maskin med en annan.

OBS: Det deklarerade vibrationsemissionsvärdet kan också användas i en preliminär bedömning av exponering för vibration.

⚠ VARNING: Vibrationsemissionen under faktisk användning av maskinen kan skilja sig från det deklarerade emissionsvärdet, beroende på hur maskinen används.

⚠ VARNING: Var noga med att identifiera säkerhetsåtgärder för att skydda användaren, vilka är grundade på en uppskattning av graden av exponering för vibrationer under de faktiska användningsförhållandena, (ta, förutom avtryckartiden, med alla delar av användarcykeln i beräkningen, som till exempel tiden då maskinen är avstängd och när den går på tomgång).

EG-försäkran om överensstämmelse

Gäller endast inom EU

EG-försäkran om överensstämmelse inkluderas som bilaga A till denna bruksanvisning.

SÄKERHETSVARNINGAR

Allmänna säkerhetsvarningar för maskiner

⚠ VARNING: Läs alla säkerhetsvarningar, anvisningar, illustrationer och specifikationer som medföljer det här maskinen. Underlåtenhet att följa instruktionerna kan leda till elstötar, brand och/eller allvarliga personskador.

Spara alla varningar och instruktioner för framtida referens.

Termen "maskin" som anges i varningarna hänvisar till din eldrivna maskin (sladdansluten) eller batteridrivna maskin (sladdlös).

Säkerhetsvarningar för batteridrivnen stiftpistol

1. **Föruddat alltid att verktyget är laddat.** Oaktsam hantering av stiftpistolen kan orsaka oavsiktlig avfyrning av stift, vilket kan leda till personskada.
2. **Rikta inte verktyget mot dig själv eller mot någon i din närhet.** Oavsiktlig avfyrning skjuter ut en klammer, vilket kan orsaka skada.
3. **Aktivera inte verktyget utan att det hålls stadigt mot arbetsstycket.** Om verktyget inte är i kontakt med arbetsstycket kan klammern flyga i riktning från målet.
4. **Koppla från verktygets strömkälla när en klammer fastnar i verktyget.** När ett stift tas bort kan stiftpistolen oavsiktligt aktiveras om maskinen är ansluten till strömkällan.
5. **Iakta försiktighet när du tar bort en klammer som har fastnat.** Mekanismen kan vara under tryck och klammern kan genom forcering avfyras medan du försöker att ta bort den som fastnat.
6. **Använd inte den här stiftpistolen för att fästa elkablar.** Den är inte konstruerad för fastsättning av elkablar och kan skada isoleringen på elkablarna, vilket i sin tur kan leda till elektrisk stöt eller brand.

7. Använd alltid skyddsglasögon för att skydda ögonen från damm och skador från skruv.
⚠️ VARNING: Det är arbetsgivarens ansvar att se till att användare och övriga personer i det omedelbara arbetsområdet använder ögonskydd.
8. Se till att dina händer och fötter inte är i riskzonen.
9. Följ instruktionerna för smörjning och byte av tillbehör.
10. Ta alltid ut batterikassetten före påfyllning av klamrar, justering, inspektion, underhåll eller efter att arbetet har slutförts.
11. Se till att ingen är i närheten innan du påbörjar arbetet. Försök aldrig att häfta från insidan och utsidan av en vägg på samma gång. Klamrar kan skjutas igenom och/eller flyga iväg och orsaka allvarlig fara.
12. Se till att alltid ha ordentligt fotfäste och god balans när du använder verktyget. Se till att ingen står under dig när du arbetar på hög höjd.
13. Använd aldrig skruvautomater märkta med symbolen "Använd inte på stegar, ställningar" för arbetsuppgifter av följande typ:
 - om du under arbetets gång måste använda byggnadsställning, trappa, stege eller liknande, t. ex. takläkt;
 - igenskruvning av lådor;
 - montering av transportsäkringar, till exempel på fordon och vagnar.
14. Kontrollera väggar, golv, inner- och yttertak o. dyl. noggrant för att inte råka häfta i el- eller gasledning och orsaka elstötar, gasläckage, explosioner osv.
15. Använd endast klamrar som specificeras i denna bruksanvisning. Andra typer av klamrar kan medföra att verktyget inte fungerar på avsett sätt.
16. Mixtra inte med verktyget och försök inte att använda det för annat än att häfta fast klamrar.
17. Använd inte verktyget utan klamrar. Det förkortar verktygets livslängd.
18. Avbryt arbetet omedelbart om du misstänker att något är fel eller onormalt med verktyget.
19. Häfta aldrig i material där klammern kan punktera materialet och flyga igenom som en projektil.
20. Aktivera aldrig avtryckaren och kontaktelementet samtidigt om du inte är beredd att mata in stift i arbetsstycket. Låt arbetsstycket trycka ner kontaktelementet. Sätt aldrig kontaktelementet ur funktion genom att fästa det bakåt eller trycka in det för hand.
21. Mixtra aldrig med kontaktelementet. Kontrollera regelbundet att kontaktelementet fungerar som det ska.
22. Ta alltid bort stift från maskinen när den inte används.

SPARA DESSA ANVISNINGAR.

⚠️ VARNING: GLÖM INTE att också fortsättningsvis strikt följa säkerhetsanvisningarna för maskinen även efter att du blivit van att använda den. Vid FELAKTIG HANTERING av maskinen eller om inte säkerhetsanvisningarna i denna bruksanvisning följs kan följden bli allvarliga personsador.

Viktiga säkerhetsanvisningar för batterikassetten

1. Innan batterikassetten används ska alla instruktioner och varningsmärken på (1) batteriladdaren, (2) batteriet och (3) produkten läsas.
2. Montera inte isär batterikassetten.
3. Om drifttiden blivit avsevärt kortare ska användningen avbrytas omedelbart. Det kan uppstå överhettning, brännskador och t o m en explosion.
4. Om du får elektrolyt i ögonen ska de sköljas med rent vatten och läkare uppsöks omedelbart. Det finns risk för att synen förloras.
5. Kortslut inte batterikassetten.
 - (1) Rör inte vid polerna med något strömförande material.
 - (2) Undvik att förvara batterikassetten tillsammans med andra metallobjekt som t.ex. spikar, mynt o.s.v.
 - (3) Skydda batteriet mot vatten och regn. En batterikortslutning kan orsaka ett stort strömflöde, överhettning, brand och maskinhaveri.
6. Förvara inte maskinen och batterikassetten på platser där temperaturen kan nå eller överstiga 50 °C.
7. Bränn inte upp batterikassetten även om den är svårt skadad eller helt utsliten. Batterikassetten kan explodera i öppen eld.
8. Var försiktig så att du inte råkar tappa batteriet och utsätt det inte för stötar.
9. Använd inte ett skadat batteri.
10. De medföljande litiumjonbatterierna är föremål för kraven i gällande lagstiftning för farligt gods. För kommersiella transporter (av t.ex. tredje parter som speditönsfirmor) måste de särskilda transportkrav som anges på emballaget och etiketter iakttagas. För att förbereda den produkt som ska avsändas krävs att du konsulterar en expert på riskmaterial. Var också uppmärksam på att det i ditt land kan finnas ytterligare föreskrifter att följa. Tejp över eller maskera blottade kontakter och packa batteriet på sådant sätt att det inte kan röra sig fritt i förpackningen.
11. Följ lokala föreskrifter beträffande avfallshantering av batteriet.

SPARA DESSA ANVISNINGAR.

⚠️ FÖRSIKTIGT: Använda endast äkta Makita-batterier. Användning av oäkta Makita-batterier eller batterier som har manipulerats kan leda till person- och utrustningsskador eller till att batteriet fattar eld. Det upphäver också Makitas garanti för verktyget och laddaren.

Tips för att uppnå batteriets maximala livslängd

1. Ladda batterikassetten innan den är helt urladdad. Stanna alltid maskinen och ladda batterikassetten när du märker att maskinen blir svagare.
2. Ladda aldrig en fulladdad batterikassett. Överladdning förkortar batteriets livslängd.
3. Ladda batterikassetten vid en rumstemperatur på 10 °C - 40 °C. Låt en varm batterikassett svalna innan den laddas.

FUNKTIONSBESKRIVNING

⚠ FÖRSIKTIGT: Se alltid till att maskinen är avstängd och batterikassetten borttagen innan du justerar maskinen eller kontrollerar dess funktioner.

Montera eller demontera batterikassetten

⚠ FÖRSIKTIGT: Stäng alltid av maskinen innan du monterar eller tar bort batterikassetten.

⚠ FÖRSIKTIGT: Håll stadigt i maskinen och batterikassetten när du monterar eller tar bort batterikassetten. I annat fall kan det leda till att de glider ur dina händer och orsakar skada på maskinen och batterikassetten samt personskada.

► **Fig. 1:** 1. Röd indikator 2. Knapp 3. Batterikassett

Ta bort batterikassetten genom att skjuta ner knappen på kassetterns framsida samtidigt som du drar ut batterikassetten.

Sätt in batterikassetten genom att rikta in tungan på batterikassetten mot spåret i höljet och skjut den på plats. Tryck in batterikassetten ordentligt tills den låser fast med ett klick. Om du kan se den röda indikatorn på knappens ovansida är den inte låst ordentligt.

⚠ FÖRSIKTIGT: Sätt alltid in batterikassetten helt tills den röda indikatorn inte längre syns. I annat fall kan den oväntat falla ur maskinen och skada dig eller någon annan.

⚠ FÖRSIKTIGT: Montera inte batterikassetten med våld. Om kassetten inte lätt glider på plats är den felinsatt.

Skyddssystem för batteri

Maskinen är utrustad med ett batteriskyddssystem. Detta system bryter automatiskt strömmen till motorn för att förlänga batteriets livslängd. Maskinen stoppas automatiskt under pågående användning om någon av följande situationer uppstår:

Överbelastning:

Maskinen används på ett sätt som gör att den förbrukar onormalt mycket ström.

När detta sker stänger du av maskinen och upphör med arbetet som gjorde att maskinen överbelastades. Starta därefter upp maskinen igen.

Om maskinen inte startar är batteriet överhettat. Låt då batteriet svalna innan du startar maskinen igen.

Batterispänningen faller:

Den kvarvarande batterikapaciteten är för låg och maskinen fungerar inte. Om du trycker in avtryckaren startar inte motorn, eller så går motorn igång men stannar snart igen. I detta läge tar du bort batteriet och laddar det.

Indikerar kvarvarande batterikapacitet

Endast för batterikassetter med indikator

► **Fig. 2:** 1. Indikatorlampor 2. Kontrollknapp

Tryck på kontrollknappen på batterikassetten för att se kvarvarande batterikapacitet. Indikatorlamporna lyser i ett par sekunder.

Indikatorlampor		Återstående kapacitet
Upplyst	Av	
■ ■ ■ ■	□	75% till 100%
■ ■ ■ □	□	50% till 75%
■ ■ □ □	□	25% till 50%
■ □ □ □	□	0% till 25%

OBS: Beroende på användningsförhållanden och den omgivande temperaturen kan indikationen skilja sig lätt från den faktiska batterikapaciteten.

Startspärr

⚠ FÖRSIKTIGT: Innan du sätter in batterikassetten i maskinen ska du kontrollera att avtryckaren fungerar och återgår till läget "OFF" när du släpper den.

⚠ FÖRSIKTIGT: När verktyget inte används ska startspärren vara intryckt från sidan B för att låsa avtryckaren i det avstängda läget OFF.

► **Fig. 3:** 1. Startspärr 2. Avtryckare

► **Fig. 4**

Startspärren förhindrar att verktyget startas oavsiktligt. Tryck in startspärren från sidan A för att kunna trycka in avtryckaren.

Tryck alltid in startspärren från sidan B efter användning.

Inställning av stiftdjupet

⚠ VARNING: Kontrollera alltid att dina fingrar inte är placerade på avtryckaren eller på kontaktelementet och att batterikassetten är borttagen innan du justerar stiftdjupet.

Stiftdjupet kan ställas in på denna stiftpistol. Ställ in stiftdjupet genom att vrida justeringsratten. Du får störst stiftdjup när du vrider justeringsratten så långt det går i riktning A enligt figuren. Det minskar när justeringsratten vrids i riktning B. Djupet kan ställas in från 1,5 mm till maximum.

► **Fig. 5:** 1. Justeringsratt

► **Fig. 6:** 1. För djupt 2. Jäms med 3. För grunt

Tända lampan

⚠ FÖRSIKTIGT: Titta inte in i ljuset eller direkt i ljuskällan.

Tryck in avtryckaren eller aktivera kontaktelementet för att tända lampan. Lampan fortsätter att lysa så länge du håller avtryckaren intryckt eller så länge kontaktelementet är aktiverat. Lampan slocknar ungefär 10 sekunder efter att du har släppt avtryckaren och kontaktelementet.

► Fig.7: 1. Lampa

OBS: Använd en torr trasa för att torka bort smuts från lampglaset. Var försiktig så att inte lampglaset repas eftersom ljuset då kan bli svagare.

OBS: Även om lampan tänds när batterikapaciteten avtar kan det hända att stiftpistolen inte avfyrrar stift. Ladda batterikassetten i så fall.

MONTERING

⚠ FÖRSIKTIGT: Kontrollera alltid att dina fingrar inte är placerade på avtryckaren eller på kontaktelementet och att batterikassetten är borttagen innan du utför något arbete på stiftpistolen.

Laddning av stiftpistolen

⚠ FÖRSIKTIGT: Se alltid till att ta ur batterikassetten innan du laddar stiftpistolen. Oavsiktlig avfyrning kan leda till personskada och egendomsskada.

⚠ FÖRSIKTIGT: Var aktsam när du drar ut det laddade magasinet ur stiftpistolen. Om du tappar stift, speciellt vid arbete på hög höjd, kan det orsaka personskador.

⚠ FÖRSIKTIGT: Ladda stiften i rätt riktning. Om de laddas åt fel håll kan det orsaka förtida slitage på kontaktarmen och skada på andra delar.

⚠ FÖRSIKTIGT: Använd inte deformerade stift som sitter ihop. Använd endast stift som specificeras i denna bruksanvisning. Att använda andra stift än de som specificerats kan leda till att stift fastnar och att stiftpistolen går sönder.

1. Ta ut batterikassetten.
2. Tryck på säkerhetsspärren och dra magasinet bakåt.
3. Rikta in stiftspetsarna mot spårerna i magasinets botten och skjut stiften mot matarstyrningen. (Var noga med att placera stiften i rätt riktning.)
► Fig.8: 1. Stift 2. Magasin 3. Säkerhetsspärre 4. Matarstyrning

4. Tryck tillbaka magasinet tills det klickar på plats när du har fyllt på med stift.

Ta bort stift genom att följa påfyllningsproceduren i omvänd ordning.

Nosadapter

⚠ FÖRSIKTIGT: Kontrollera alltid att dina fingrar inte är placerade på avtryckaren eller på kontaktelementet och att batterikassetten är borttagen innan du installerar nosadaptern.

Använd nosadaptern när du avfyrrar stift på material med en lätt skadad yta. För att installera nosadaptern placerar du den ovanför skyddet för matarstyrningen, så att den utskjutande delen inuti nosadaptern passar i skåran i skyddet för matarstyrningen.

Du kan förvara nosadaptern i hållaren på magasinets baksida för att alltid ha den till hands.

- Fig.9: 1. Skåra 2. Utsprång 3. Nosadapter 4. Hållare

Krok

⚠ FÖRSIKTIGT: Häng inte kroken i midjebältet. Om du tappar stiftpistolen, på grund av att kroken av misstag lossar från sin plats, kan den oavsiktligt avfyrras och orsaka personskada.

► Fig.10

Kroken kan användas när du vill hänga upp verktyget temporärt. Den kan monteras på båda sidorna av verktyget. Du monterar kroken genom att sätta i den i ett spår i verktygshuset på endera sida och dra fast den med en skruv. Ta bort kroken genom att skruva loss skruven.

► Fig.11: 1. Spår 2. Krok 3. Skruv

Förvaring av insexnyckel

Förvara insexnyckeln enligt figuren när den inte används, så att du alltid har den till hands.

► Fig.12: 1. Insexnyckel

ANVÄNDNING

Testa säkerhetssystemet

⚠ VARNING: Kontrollera alltid att alla säkerhetsanordningar fungerar innan du använder verktyget. I annat fall kan personskador uppstå.

► Fig.13: 1. Startspår 2. Avtryckare 3. Kontaktelement 4. Magasin

Testa säkerhetssystemen efter möjliga fel enligt följande innan du häftar.

1. Töm verktyget på stift och håll magasinet öppet.
2. Montera batterikassetten och släpp avtryckarspärren.
3. Tryck in avtryckaren utan att kontaktelementet vidrör materialet.
4. Tryck kontaktelementet mot materialet utan att trycka in avtryckaren.

I händelse av att verktyget startar när du genomför punkt 3 eller 4 ovan är det fel på säkerhetssystemet. Avbryt omedelbart användningen av verktyget och kontakta ditt lokala servicecenter.

Skjuta stift

⚠ VARNING: Fortsätt hålla kontaktelementet stadigt mot materialet tills stiftet är ordentligt intryckt. Oavsiktlig avfyrning kan leda till personskada.

1. Släpp avtryckarspärren.
 2. Placera kontaktelementet platt mot materialet.
 3. Tryck in avtryckaren helt för att driva in ett stift.
 4. För att skjuta nästa stift tar du bort fingret från avtryckaren och upprepar därefter steg 2 och 3 ovan.
- **Fig.14:** 1. Avtryckare 2. Kontaktelement

Du kan även skjuta in stiften genom att dra verktyget till nästa punkt med kontaktelementet tryckt emot materialet och aktivera avtryckaren.

► **Fig.15**

Om huvudet på utmatade stift sticker upp ovanför arbetsstyckets yta driver du i stiftet samtidigt som du håller stiftpistolens huvud stadigt mot arbetsstycket.

► **Fig.16**

OBS: Om huvudet på utmatade stift fortfarande sticker upp ovanför arbetsstyckets yta, även om du håller stiftpistolens huvud, kanske materialet inte är lämpligt för stiftpistolens. Fortsatt användning av stiftpistolens på dylikt material kan leda till skada på stiftpistolens drivenhet och/eller stiftstopp.

Tomgångsspärr

⚠ VARNING: Kontrollera alltid att dina fingrar inte är placerade på avtryckaren eller på kontaktelementet och att batterikassetten är borttagen innan du laddar stiftpistolens.

Avtryckaren kan inte tryckas in när det endast finns 0 - 3 stift kvar i magasinet. Sätt i ett nytt stiftband i magasinet och avtryckaren kan sedan tryckas in igen.

OBS: När en annan stiftlängd avfyras kort efter det att tomgångskörningen aktiverats, sätter du i ett nytt stiftband i magasinet och avfyrar alla de stift som var kvar sedan tidigare, på kasserat material.

Kontrollera återstående stift

Du kan kontrollera återstående antal stift genom siktfönstret.

Den röda indikatorn flyttas mot öppningen allt eftersom antalet återstående stift minskar.

► **Fig.17:** 1. Magasinfönster 2. Indikator

Borttagning av stift som fastnat

⚠ VARNING: Se alltid till att ta ur batterikassetten innan du tar bort stift som fastnat.

Ta ur de stift som finns kvar i magasinet.

Ta bort de tre skruvarna som fäster skyddet för matarstyrningen med en insexnyckel.

Ta bort stiften som har fastnat i spåret för spikguiden. Om det är svårt att ta ur stift som har fastnat, kan du ytterligare ta bort de två skruvarna som fäster det övre kontaktskyddet med en insexnyckel. Ta sedan ut dem.

► **Fig.18:** 1. Skydd för matarstyrning 2. Skruv 3. Övre kontaktskydd

UNDERHÅLL

⚠ FÖRSIKTIGT: Se alltid till att maskinen är avstängd och batterikassetten borttagen innan inspektion eller underhåll utförs.

OBSERVERA: Använd inte bensin, förtunningsmedel, alkohol eller liknande. Missfärgning, deformation eller sprickor kan uppstå.

För att upprätthålla produktens SÄKERHET och TILLFÖRLITLIGHET bör allt underhålls- och justeringsarbete utföras av ett auktoriserat Makita servicecenter och med reservdelar från Makita.

VALFRIA TILLBEHÖR

⚠ FÖRSIKTIGT: Följande tillbehör eller tillsatser rekommenderas för användning med den Makita-maskin som denna bruksanvisning avser. Om andra tillbehör eller tillsatser används kan det uppstå risk för personskador. Använd endast tillbehören eller tillsatserna för de syften de är avsedda för.

Kontakta ditt lokala Makita servicecenter om du behöver ytterligare information om dessa tillbehör.

- Stift
- Makitas originalbatteri och -laddare
- Skyddsglasögon

OBS: Några av tillbehören i listan kan vara inkluderade i maskinpaketet som standardtillbehör. De kan variera mellan olika länder.

TEKNISKE DATA

Modell:	PT354D	
Spikerstørrelse	ø0,6 mm x 15, 18, 25, 30, 35 mm	
Kapasitet for spikermagasin	100 stk.	
Mål uten krok (L x B x H)	231 mm x 80 mm x 226 mm	
Nominell spenning	DC 10,8 V	
Batteriinnsett	BL1015, BL1020B	BL1040B
Nettovekt	1,8 kg	2,0 kg

- På grunn av vårt kontinuerlige forsknings- og utviklingsprogram kan spesifikasjonene som oppgis i dette dokumentet endres uten varsel.
- Spesifikasjoner og batteriinnsett kan variere fra land til land.
- Vekten kan variere avhengig av tilbehøret/tilbehørene, inkludert batteriet. Den letteste og tyngste kombinasjonen, i henhold til EPTA-prosedyre 01/2014, vises i tabellen.

Riktig bruk

Verktøyet er beregnet på å skyte spiker inn i bygning-materiale, som tømmer.

Støy

Typisk A-vektet lydtrykknivå er bestemt i henhold til EN60745:

Lydtrykknivå (L_{pA}): 76 dB (A)

Usikkerhet (K): 3 dB (A)

Støynivået under arbeid kan overskride 80 dB (A).

⚠ ADVARSEL: Bruk hørselsvern.

Vibrasjoner

Totalverdiene for vibrasjon er bestemt i henhold til EN60745:

Genererte vibrasjoner (a_h): 2,5 m/s² eller mindre
Usikkerhet (K): 1,5 m/s²

MERK: Den angitte verdien for de genererte vibrasjonene er målt i samsvar med standardtestmetoden og kan brukes til å sammenlikne et verktøy med et annet.

MERK: Den angitte verdien for de genererte vibrasjonene kan også brukes til en foreløpig vurdering av eksponeringen.

⚠ ADVARSEL: De genererte vibrasjonene ved faktisk bruk av elektroverktøyet kan avvike fra den angitte vibrasjonsverdien, avhengig av hvordan verktøyet brukes.

⚠ ADVARSEL: Sørg for å identifisere vernetiltak for å beskytte operatøren, som er basert på et estimat av eksponeringen under de faktiske bruksforholdene (idet det tas hensyn til alle deler av driftssyklusen, dvs. hvor lenge verktøyet er slått av, hvor lenge det går på tomgang og hvor lenge startbryteren faktisk holdes trykket).

EFs samsvarserklæring

Gjelder kun for land i Europa

EFs samsvarserklæring er lagt til som vedlegg A i denne bruksanvisningen.

SIKKERHETSADVARSEL

Generelle advarsler angående sikkerhet for elektroverktøy

⚠ ADVARSEL: Les alle sikkerhetsadvarsler, instruksjoner, illustrasjoner og spesifikasjoner som følger med dette elektroverktøyet. Hvis ikke alle instruksjonene nedenfor følges, kan det forekomme elektrisk støt, brann og/eller alvorlig skade.

Oppbevar alle advarsler og instruksjoner for senere bruk.

Uttrykket «elektrisk verktøy» i advarslene refererer både til elektriske verktøy (med ledning) tilkoblet strømmnett, og batteridrevne verktøy (uten ledning).

Sikkerhetsanvisninger for batteridrevet spikerpistol

1. **Gå alltid ut fra at verktøyet inneholder spiker.** Uforsiktig håndtering av spikerpistolen kan føre til uventet avfyring av spiker og medføre personskaade.
2. **Ikke rett maskinen mot deg selv eller andre i nærheten.** Uventet avfyring vil skyte ut stiftene og forårsake helseskader.
3. **Ikke sett i gang verktøyet med mindre det er plassert godt mot arbeidsemnet.** Hvis maskinen ikke har kontakt med arbeidsemnet, kan stiftene rikosjettere fra målet.
4. **Koble strømkilden fra verktøyet dersom spikeren kjører seg fast i verktøyet.** Når du fjerner en fastkjørt spiker, kan spikerpistolen aktiveres utilsiktet hvis strømkilden er koblet til.
5. **Vær forsiktig når du fjerner en fastkjørt stift.** Mekanismen kan være under trykk, noe som kan føre til at den fastkjørte stiftene blir skutt ut mens du forsøker å fjerne den.
6. **Ikke bruk denne spikerpistolen til å feste elektriske kabler.** Den er ikke utformet for montering av elektriske kabler, og kan skade de elektriske kablernes isolasjon, noe som igjen kan føre til elektrisk støt eller utgjøre en brannfare.

7. **Bruk alltid vernebriller for å beskytte øynene dine mot skader forårsaket av støv eller skruer.**
⚠ADVARSEL: Det er arbeidsgivers ansvar å påse at verktøyoperatørene og alle andre personer i arbeidsrådets umiddelbare arbeidsomgivelser bruker vernebriller.
8. Hold hender og føtter unna utkasteråpningen.
9. Følg instruksjonene for smøring og skifting av tilbehør.
10. Fjern alltid batteriet før du legger i stiftene og justerer, inspiserer eller vedlikeholder verktøyet, eller etter at du er ferdig med å bruke det.
11. Pass på at ingen er i nærheten før du begynner å bruke verktøyet. Forsøk aldri å skyte stifter både fra innsiden og utsiden av veggen på én gang. Stiftene kan gå gjennom og/eller riko-sjettere, og utgjøre en alvorlig helsefare.
12. Se hvor du går og hold balansen med verktøyet. Forviss deg om at ingen står under deg når du jobber høyt over bakken.
13. **Bruk aldri trykkluftdrevne verktøy med symbolet "Må ikke brukes på stillas eller stiger" til visse formål, for eksempel:**
 - når du forflytter deg fra et arbeidssted til et annet, og dette krever at du bruker stillas, trapper, stiger eller stigeliknende konstruksjoner, f.eks. taklekker,
 - når du lukker bokser eller kasser,
 - når du fester transportsikringssystemer, f.eks. på biler eller vogner.
14. Kontroller vegger, tak, gulv osv. grundig for å unngå mulige elektriske støt, gasslekkasjer, eksplosjoner osv. som kan forårsakes av å skyte stifter inn i strømførende ledninger, rør eller gassledninger.
15. **Bruk kun stiftene som er angitt i denne håndboken.** Hvis det brukes andre stifter, kan verktøyet slutte å fungere som det skal.
16. **Ikke tukle med maskinen eller prøv å bruke den til noe annet enn å skyte stifter.**
17. **Ikke bruk maskinen uten stifter.** Det forkorter maskinens levetid.
18. Hvis du merker at noe er galt eller uvanlig med verktøyet, må du slutte å stifte umiddelbart.
19. **Skyt aldri stifter inn i materialer som stifter kan stikke hull på og fly igjennom som et prosjektil.**
20. **Klem aldri på avtrekkeren og kontaktelementet samtidig før du er klar til å feste arbeidsemner.** La arbeidsemnet trykke ned kontaktelementet. Du må aldri sette sikringen ut av funksjon ved å låse kontaktelementet tilbake eller holde det nede med hånden.
21. **Tukle aldri med kontaktelementet.** Du må kontrollere kontaktelementet regelmessig for å forsikre deg om at det virker slik det skal.
22. **Spiker skal alltid tas ut av spikerpistolen når den ikke er i bruk.**

TA VARE PÅ DISSE INSTRUKSENE.

⚠ADVARSEL: IKKE LA hensynet til hva som er "beholdelig" eller det faktum at du kjenner produktet godt (etter mange gangers bruk) gjøre deg mindre oppmerksom på sikkerhetsreglene for bruken av det aktuelle produktet. Ved MISBRUK eller hvis ikke sikkerhetsreglene i denne bruksanvisningen følges, kan det oppstå alvorlig personskada.

Viktige sikkerhetsanvisninger for batteriinnsetts

1. Før du begynner å bruke batteriet, må du lese alle anvisninger og forsiktighetsregler på (1) batteriladeren, (2) batteriet og (3) det produktet batteriet skal brukes i.
 2. Ikke ta fra hverandre batteriet.
 3. Hvis driftstiden er blitt vesentlig kortere, må du omgående slutte å bruke maskinen. Hvis ikke kan resultatet bli overoppheting, mulige forbrenninger eller til og med en eksplosjon.
 4. Hvis du får elektrolytt i øynene, må du skylle dem med store mengder rennende vann og oppsøke lege med én gang. Denne typen uhell kan føre til varig blindhet.
 5. **Ikke kortslett batteriet:**
 - (1) De kan være ekstremt varme og du kan brenne deg.
 - (2) Ikke lagre batteriet i samme beholder som andre metallgjenstander, som for eksempel spiker, mynter osv.
 - (3) Ikke la batteriet komme i kontakt med vann eller regn.
- En kortslutning av batteriet kan føre til et kraftig strømstøt, overoppheting, mulige forbrenninger og til og med til at batteriet går i stykker.**
6. Ikke lagre maskinen og batteriet på steder hvor temperaturen kan komme opp i eller overskride 50 °C.
 7. **Ikke sett fyr på batteriet, ikke engang om det er sterkt skadet eller helt utslitt.** Batteriet kan eksplodere hvis det begynner å brenne.
 8. **Vær forsiktig så du ikke mister batteriet eller utsetter det for slag.**
 9. **Ikke bruk batterier som er skadet.**
 10. **Lithium-ion-batteriene som medfølger er gjenstand for krav om spesialavfall.** For kommersiell transport, f.eks av tredjeparter eller speiditører, må spesielle krav om pakking og merking følges. For varen blir sendt, må du forhøre deg med en ekspert på farlig materiale. Ta også hensyn til muligheten for mer detaljerte nasjonale bestemmelser. Bruk teip eller maskeringsteip for å skjule åpne kontakter og pakk inn batteriet på en slik måte at den ikke kan bevege seg rundt i emballasjen.
 11. **Følg lokale bestemmelser for avhending av batterier.**

TA VARE PÅ DISSE INSTRUKSENE.

⚠FORSIKTIG: Bruk kun originale Makita-batterier. Bruk av batterier som har endret seg, eller som ikke er originale Makita-batterier, kan føre til at batteriet sprekker og forårsaker brann, personskafer og andre skader. Det vil også ugyldiggjøre garantien for Makita-verktøyet og -laderen.

Tips for å opprettholde maksimal batterilevetid

1. **Lad batteriinnsettsen før den er helt utladet.** Stopp alltid driften av verktøyet og lad batteriinnsettsen når du merker at effekten reduseres.
2. **Lad aldri en batteriinnsettsen som er fulladdert.** Overopplading forkorter batteriets levetid.
3. **Lad batteriet i romtemperatur ved 10 °C - 40 °C.** Et varmt batteri må kjøles ned før lading.

FUNKSJONSBEKRIVELSE

⚠FORSIKTIG: Forviss deg alltid om at maskinen er slått av og batteriet tatt ut før du justerer maskinen eller kontrollerer dens mekaniske funksjoner.

Sette inn eller ta ut batteri

⚠FORSIKTIG: Slå alltid av verktøyet før du setter inn eller fjerner batteriet.

⚠FORSIKTIG: Hold verktøyet og batteripatronen i et fast grep når du monterer eller fjerner batteripatronen. Hvis du ikke holder verktøyet og batteripatronen godt fast, kan du miste grepet, og dette kan føre til skader på verktøyet og batteripatronen samt personskader.

► Fig.1: 1. Rød indikator 2. Knapp 3. Batteriinnsetts

For å ta ut batteriet må du skyve på knappen foran på batteriet og trekke det ut.

Når du skal sette inn batteriet, må du plassere tungen på batteriet på linje med sporet i huset og skyve batteriet på plass. Skyv det helt inn til det går i inngrep med et lite klikk. Hvis du kan se den røde anviseren på oversiden av knappen, er det ikke fullstendig låst.

⚠FORSIKTIG: Batteriet må alltid settes helt inn, så langt at den røde anviseren ikke lenger er synlig. Hvis dette ikke gjøres, kan batteriet komme til å falle ut av maskinen og skade deg eller andre som oppholder seg i nærheten.

⚠FORSIKTIG: Ikke bruk makt når du setter i batteriet. Hvis batteriet ikke glir lett inn, er det fordi det ikke settes inn på riktig måte.

Batteribeskyttelsessystem

Verktøyet er utstyrt med et batterivernsystem. Dette systemet slår automatisk av strømmen til motoren for å forlenge batteriets levetid.

Verktøyet stopper automatisk ved drift hvis det og/eller batteriet utsettes for en av følgende tilstander:

Overbelastning:

Verktøyet brukes på en måte som gjør at det trekker uvanlig mye strøm. I dette tilfellet må du slå av verktøyet og avslutte bruken som forårsaket at verktøyet ble overbelastet. Slå deretter verktøyet på for å starte det igjen.

Hvis verktøyet ikke starter, er batteriet overbelastet. I så fall må du la batteriet kjøle seg ned før du slår verktøyet på igjen.

Lav batterispenning:

Gjenværende batterikapasitet er for lav og verktøyet vil ikke fungere. Hvis du starter verktøyet, og motoren ikke starter eller den starter og stopper like etterpå. I dette tilfellet, fjern og lad batteriet opp igjen.

Indikere gjenværende batterikapasitet

Kun for batterier med indikatoren

► Fig.2: 1. Indikatorlamper 2. Kontrollknapp

Trykk på sjekk-knappen på batteriet for vise gjenværende batterikapasitet. Indikatorlampene lyser i et par sekunder.

Indikatorlamper		Gjenværende batterinivå
Tent	Av	
		75% til 100%
		50% til 75%
		25% til 50%
		0% til 25%

MERK: Det angitte nivået kan avvike noe fra den faktiske kapasiteten alt etter bruksforholdene og den omgivende temperaturen.

Låseknapp

⚠FORSIKTIG: Før du setter batteriet inn i maskinen, må du alltid kontrollere at startbryteren aktiverer maskinen på riktig måte og går tilbake til «AV»-stilling når den slippes.

⚠FORSIKTIG: Når du ikke skal bruke maskinen lenger, trykker du inn låseknappen fra side B for å låse startbryteren i stillingen AV.

► Fig.3: 1. Låseknapp 2. Startbryter

► Fig.4

Maskinen er utstyrt med en låseknapp, som hindrer at startbryteren trykkes inn ved en feiltakelse.

For å trykke inn startbryteren, må du trykke ned låseknappen fra side A.

Trykk alltid inn låseknappen fra side B når du er ferdig med å bruke maskinen.

Justere spikringsdybden

⚠ADVARSEL: Forviss deg alltid om at fingrene dine ikke befinner seg på avtrekkeren eller kontaktelemet, og at batteriet er tatt ut før du justerer spikringsdybden.

Spikringsdybden kan justeres på denne spikerpistolen. For å justere spikringsdybden må du dreie på justeringshjulet. Spikringsdybden er størst når justeringshjulet ikke går lenger i A-retningen, som vist på figuren. Den vil bli mindre når justeringshjulet dreies i B-retningen. Dybden kan justeres til maksimalt 1,5 mm.

► Fig.5: 1. Justeringshjul

► Fig.6: 1. For dypt 2. I flukt 3. For grunt

Tenne lampen

⚠️FORSIKTIG: Ikke se inn i lyset eller se direkte på lyskilden.

Trykk på startbryteren eller aktiver kontaktelelementet for å tenne lampen. Lampen fortsetter å lyse så lenge startbryteren holdes inne eller kontaktelelementet aktiveres. Lampen slukkes omtrent 10 sekunder etter at startbryteren og kontaktelelementet er sluppet.

► **Fig.7:** 1. Lampe

MERK: Bruk en tørr klut til å tørke støv osv. av lampelinsen. Vær forsiktig så det ikke blir riper i lampelinsen, da dette kan redusere lysstyrken.

MERK: Selv om lampen tennes når batteriet er i ferd med å tømmes, er det ikke sikkert at det er mulig å spikre med spikerpistolen. I så fall må du laade batteriet.

MONTERING

⚠️FORSIKTIG: Forviss deg alltid om at fingrene dine ikke befinner seg på avtrekkeren eller kontaktelelementet, og at batteriet er tatt ut før du utfører noe arbeid på spikerpistolen.

Legge spiker i spikerpistolen

⚠️FORSIKTIG: Pass alltid på at batteriet er fjernet før du legger spiker i spikerpistolen. Utilsiktet avfiring kan forårsake personskader og materielle skader.

⚠️FORSIKTIG: Ikke skyv magasinet til spikerpistolen med brå bevegelser når det er fullt av spiker. Hvis du ved et ulykkestilfelle mister spiker når du jobber i høyden, kan dette forårsake helseskader.

⚠️FORSIKTIG: Legg inn spikrene i riktig retning. Hvis de settes inn i feil retning, kan spikerpistolen slites ut etter kort tid, og andre deler kan skades.

⚠️FORSIKTIG: Ikke bruk deformerte spikere som henger sammen. Bruk spikere som angitt i denne håndboken. Hvis du bruker andre spikere enn de som er angitt, kan spikrene kile seg fast, og spikerpistolen kan gå i stykker.

1. Fjern batteriet.
2. Trykk på låsehendelen, og skyv magasinet bakover.
3. Plasser spikerspissene i sporene i bunnen av magasinet, og skyv alle spikrene mot stempelføringen. (Pass på å legge spikrene i riktig retning.)
► **Fig.8:** 1. Spikere 2. Magasin 3. Låsehendel 4. Stempelføring
4. Etterat du har lagt i spikrer, må du dytte magasinet på plass til du hører et klikk.

Fjern spikrer ved å følge installasjonsfremgangsmåten i motsatt rekkefølge.

Frontadapter

⚠️FORSIKTIG: Forviss deg alltid om at fingrene dine ikke befinner seg på avtrekkeren eller kontaktelelementet, og at batteriet er tatt ut før du installerer frontadapteren.

Når du skal spikre på et materiale med ømfintlig overflate, må du bruke frontadapteren. For å installere frontadapteren må du plassere den over stempelføringsdekslet, så fremspringet inne i frontadapteren passer i fordypningen i stempelføringsdekslet.

Når frontadapteren ikke er i bruk, kan den oppbevares på holderen på bakre ende av magasinet, så den ikke mistes.

► **Fig.9:** 1. Fordypning 2. Fremspring 3. Frontadapter 4. Holder

Krok

⚠️FORSIKTIG: Ikke heng kroken i verktøybeltet. Hvis du mister spikerpistolen fordi kroken glir ut av beltet ved et uhell, kan den avfyres og forårsake personskader.

► **Fig.10**

Kroken er praktisk å henge verktøyet i over kortere tid. Den kan monteres på begge sider av verktøyet.

For å montere kroken, må du sette den inn i sporet på en av sidene av verktøyhuset og feste den med en skrue. Ta den av igjen ved å løsne skruen.

► **Fig.11:** 1. Spor 2. Krok 3. Skrue

Oppbevaring av sekskantnøkkel

Når sekskantnøkkelen ikke er i bruk, må du oppbevare den som vist i figuren, slik at du ikke mister den.

► **Fig.12:** 1. Sekskantnøkkel

BRUK

Testing av sikkerhetssystemet

⚠️ADVARSEL: Pass på at alle sikkerhetssystemene fungerer som de skal før du tar verktøyet i bruk. Hvis ikke, kan det resultere i helseskader.

► **Fig.13:** 1. Låseknapp 2. Startbryter 3. Kontaktelelement 4. Magasin

Test sikkerhetssystemene slik for å forvise deg om at de ikke er defekte.

1. Ta spikrene ut av verktøyet, og hold magasinet åpent.
2. Installer batteriet, og frigjør avtrekkerlåsen.
3. Trykk inn startbryteren uten å berøre arbeidsområdet med kontaktelelementet.
4. Berør arbeidsområdet med kontaktelelementet uten å trykke inn startbryteren.

Hvis verktøyet starter i tilfelle 3 og 4 ovenfor, er sikkerhetssystemene defekte. Avslutt bruken av verktøyet umiddelbart og ta kontakt med nærmeste serviceverksted.

Spikre

⚠ ADVARSEL: Fortsett å presse kontaktele-
mentet bestemt mot materialet til spikeren er
drevet helt inn. Utilsikket avfiring kan forårsake
personskader.

1. Frigjør avtrekkerlåsen.
2. Sett kontaktelelementet flatt på arbeidsemnet.
3. Trykk avtrekkerlåsen helt inn for å skyte ut en spiker.
4. Når du skal skyte ut neste spiker, frigjør du fingeren fra avtrekkerlåsen én gang, og deretter gjentar du trinn 2 og 3 over.

► **Fig.14:** 1. Avtrekkerlås 2. Kontaktelement

Du kan også skyte inn spikrene mens du drar verktøyet til neste område med kontaktelementet presset mot materialet, og du drar i avtrekkerlåsen.

► **Fig.15**

Når hodet til en avfyrt spiker står opp fra overflaten av arbeidsstykket, må du skyte inn spikeren mens du holder spikerpistolhodet godt mot arbeidsstykket.

► **Fig.16**

MERK: Hvis hodet til en avfyrt spiker står opp fra arbeidsstykket, selv om spikerpistolhodet holdes i et fast grep, kan det hende materialet ikke egner seg for spikerpistolen. Hvis du fortsetter å bruke spikerpistolen på et slikt materiale, kan det føre til skade på spikerpistolen eller at spikrene setter seg fast.

Avfiringssperre ved tomt magasin

⚠ ADVARSEL: Forviss deg alltid om at fingrene dine ikke befinner seg på avtrekkeren eller kontaktelementet, og at batteriet er tatt ut før du legger spiker i spikerpistolen.

Når antall gjenværende spikere i magasinet er 0–3 stk., kan ikke avtrekkeren lenger trykkes. Da må du legge inn et nytt spikerbånd i magasinet. Deretter kan du trykke inn avtrekkeren igjen.

MERK: Når du skal spikre med en annen spikerlengde like etter at sikkerhetsmekanismen som skal forhindre avfiring uten spiker er aktivert, må du legge et nytt spikerbånd inn i magasinet og bruke de gjenværende spikrene i den gamle lengden på materialrester.

Kontrollere resterende spikere

Du kan kontrollere mengden resterende spikere gjennom siktvinduet.

Den røde indikatoren beveger seg mot festeåpningen etter hvert som mengden resterende spikere reduseres.

► **Fig.17:** 1. Siktvindu 2. Indikator

Fjerne spikere som har kilt seg fast

⚠ ADVARSEL: Pass alltid på at batteriet er fjernet før du fjerner spikere som har kilt seg fast.

Ta ut spikere som sitter igjen inne i magasinet. Bruk sekskantnøkkelen til å fjerne de tre skruene som holder stempelføringsdekselet.

Fjern de fastkjørte spikrene fra spikerføringsssporet som har dukket opp.

Hvis det er vanskelig å ta ut de fastkjørte spikrene, må du fjerne ytterligere to skruer med sekskantnøkkelen som holder kontaktoppdekselet. Deretter kan du ta dem ut.

► **Fig.18:** 1. Stempelføringsdekselet 2. Skruer
3. Kontaktoppdekselet

VEDLIKEHOLD

⚠ FORSIKTIG: Forviss deg alltid om at maskinen er slått av og batteriet tatt ut før du foretar inspeksjon eller vedlikehold.

OBS: Aldri bruk gasolin, bensin, tynner alkohol eller lignende. Det kan føre til misfarging, deformering eller sprekke dannelse.

For å opprettholde produktets SIKKERHET og PÅLITELIGHET, må reparasjoner, vedlikehold og justeringer utføres av autoriserte Makita servicesentre eller fabrikk servicesentre, og det må alltid brukes reservedeler fra Makita.

VALGFRITT TILBEHØR

⚠ FORSIKTIG: Det anbefales at du bruker dette tilbehøret eller verktøyet sammen med den Makita-maskinen som er spesifisert i denne håndboken. Bruk av annet tilbehør eller verktøy kan forårsake personskader. Tilbehør og verktøy må kun brukes til det formålet det er beregnet på.

Ta kontakt med ditt lokale Makita-servicesenter hvis du trenger mer informasjon om dette tilbehøret.

- Spikere
- Makita originalbatteri og lader
- Vernebriller

MERK: Enkelte elementer i listen kan være inkludert som standardtilbehør i verktøypakken. Elementene kan variere fra land til land.

TEKNISET TIEDOT

Malli:	PT354D	
Naulan koko	ø0,6 mm x 15, 18, 25, 30, 35 mm	
Naulamakasiinin kapasiteetti	100 kpl	
Mitat ilman koukkua(P x L x K)	231 mm x 80 mm x 226 mm	
Nimellisjännite	DC 10,8 V	
Akkupaketti	BL1015, BL1020B	BL1040B
Nettopaino	1,8 kg	2,0 kg

- Jatkuvasta tutkimus- ja kehitystyöstämme johtuen esitetyt tekniset tiedot saattavat muuttua ilman erillistä ilmoitusta.
- Tekniset tiedot ja akkupaketti voivat vaihdella maittain.
- Paino voi olla erilainen lisävarusteista sekä akusta johtuen. EPTA-menettelytavan 01/2014 mukaisesti, taulukossa on kuvattu kevyin ja painavin laiteyhdistelmä.

Käyttötarkoitus

Työkalu on tarkoitettu laukaisemaan nauloja rakennusmateriaaleihin, kuten esimerkiksi puutavaraan.

Melutaso

Tyypillinen A-painotettu melutaso määräytyy standardin EN60745 mukaan:

Äänenpainetaso (L_{pA}): 76 dB (A)

Virhemarginaali (K): 3 dB (A)

Työskentelyn aikana melutaso voi ylittää 80 dB (A).

VAROITUS: Käytä kuulosuojaimia.

Tärinä

Standardin EN60745 mukaan määräytyvä tärinäarvo: Tärinäpäästö (a_n): 2,5 m/s² tai alhaisempi
Virhemarginaali (K): 1,5 m/s²

HUOMAA: Ilmoitettu tärinäpäästöarvo on mitattu standarditestausmenetelmän mukaisesti, ja sen avulla voidaan vertailla työkaluja keskenään.

HUOMAA: Ilmoitettua tärinäpäästöarvoa voidaan käyttää myös altistumisen alustavaan arviointiin.

VAROITUS: Työkalun käytön aikana mitattu todellinen tärinäpäästöarvo voi poiketa ilmoitetusta tärinäpäästöarvosta työkalun käyttötavan mukaan.

VAROITUS: Selvitä käyttäjän suojaamiseksi tarvittavat varoimet todellisissa käyttöolosuhteissa tapahtuvan arvioidun altistumisen mukaisesti (ottaen huomioon käyttöajakso kokonaisuudessaan, myös jaksot, joiden aikana työkalu on sammutettuna tai käy tyhjäkäynnillä).

EY-vaatimustenmukaisuusvakuutus

Koskee vain Euroopan maita

EY-vaatimustenmukaisuusvakuutus on liitetty tähän käyttöoppaaseen.

TURVAVAROITUKSET

Sähkötyökalujen käyttöä koskevat yleiset varoitukset

VAROITUS: Tutustu kaikkiin tämän sähkötyökalun mukana toimitettuihin varoituksiin, ohjeisiin, kuviin ja teknisiin tietoihin. Seuraavassa lueteltujen ohjeiden noudattamatta jättäminen saattaa johtaa sähköiskuun, tulipaloon tai vakavaan vammautumiseen.

Säilytä varoitukset ja ohjeet tulevaa käyttöä varten.

Varoituksissa käytettävällä termillä "sähkötyökalu" tarkoitetaan joko verkkovirtaa käyttävää (johdollista) työkalua tai akkukäyttöistä (johdotonta) työkalua.

Akkukäyttöisen naulaimen turvallisuutta koskevat varoitukset

1. **Oleta aina, että työkalu on ladattu kiinnittimillä.** Huolimaton naulaimen käsittely voi aiheuttaa kiinnittimien odottamattoman laukaisun ja henkilövahingon.
2. **Älä suuntaa työkalua itseesi tai muita lähelläsi olevia päin.** Yllättävä liipaisimen painallus voi vapauttaa kiinnittimen ja aiheuttaa vammautumisen.
3. **Älä aktivoi työkalua, jollei työkalu ole tukevasti työkappaleita vasten.** Jos työkalu ei ole yhteydessä työkappaleeseen, kiinnitin voi poiketa aiotusta suunnasta.
4. **Katkaise työkalun virta, jos kiinnitin juuttuu työkalussa.** Naulain saattaa laueta vahingossa, jos juuttunut kiinnitin yritetään irrottaa työkalun virran ollessa päällä.
5. **Ole varovainen jumittunutta kiinnitintä poistamiseksi.** Koneisto saattaa puristuksessa ja kiinnitin saattaa laueta voimakkaasti, kun yrität vapauttaa jumittunutta tilaa.
6. **Älä käytä tätä naulainta sähköjohtojen kiinnittämiseen.** Työkalua ei ole tarkoitettu sähköjohtojen asentamiseen ja se voi vaurioittaa sähköjohtojen eristeitä aiheuttaen sähköiskun tai tulipalon.

7. Suojaa silmät pölyn tai kiinnittimien aiheuttamilta vaurioilta käyttämällä aina suojalaseja. **VAROITUS:** On työnantajan velvollisuus pakottaa silmäsuojavälineen käyttöä työkalun käyttäjille sekä muille välittömästi työalueen lähistöllä oleville henkilöille.
8. Pidä kädet ja jalat poissa poistoaukon tuntumasta.
9. Noudata voitelu- ja lisävarusteiden vaihto-ohjeita.
10. Irrota akku aina ennen kiinnittimien liisäämistä ja säätö-, tarkistus- tai huoltotoimia ja kun lopetat työkalun käytön.
11. Varmista ennen käyttöä, ettei lähellä ole ketään. Älä koskaan yritä viedä läpi kiinnittimiä samaan aikaan seinän sisä- ja ulkopuolelta. Kiinnittimet voivat tunkeutua läpi ja/tai kimmotaa ja aiheuttaa vakavia vaaratilanteita.
12. Huolehdi jalansijasta ja säilytä tasapaino käsitellessäsi työkalua. Varmista, ettei kukaan ole alapuolella, kun työskentelet korkeissa paikoissa.
13. Älä koskaan käytä naulainta seuraavanlaisiin erityistiloihin, joissa on merkintä "Älä käytä telineillä, tikkaila", kuten esimerkiksi:
 - jos käyttöpaikan vaihtaminen edellyttää telineiden, portaiden, tikkaiden tai vastavien rakennelmien, kuten kattorimoituksen käyttöä,
 - laatikoiden tai häkkien sulkeminen,
 - kuljetuksenaikaisten turvajärjestelmien kiinnittäminen esim. ajoneuvoihin tai vaunuihin.
14. Tarkista seinät, katot, lattiat, kattorakenteet ja vastaavat huolella välttääksesi sähköjohtoon, kanavaan tai kaasuputkeen osuvan niittaamisen aiheuttaman sähköiskun, kaasuvuodon, räjähdysen tms.
15. Käytä vain tässä ohjekirjassa ilmoitettuja kiinnittimiä. Kaikkien muiden kiinnittimien käyttäminen voi aiheuttaa työkaluun toimintahäiriön.
16. Älä tee työkaluun muutoksia äläkä yritä käyttää sitä muuhun kuin kiinnittimien kiinnittämiseen.
17. Älä käytä työkalua ilman kiinnittimiä. Se lyhentää työkalun palveluikää.
18. Lopeta käyttö välittömästi, jos havaitset työkalussa jotain vikaa tai tavallisesta poikkeavaa.
19. Älä koskaan niittaa materiaalia, jonka kiinnitin voi läpäistä ja jatkaa lentorataansa.
20. Älä koskaan käytä liipaisinta ja turvavipua samanaikaisesti, ennen kuin olet valmis työkalun kiinnittämiseen. Anna työkalulleen puristua turvavipu vasten. Älä koskaan vähennä sen turvavaikutusta lukitsemalla turvavipu taka-asentoon tai painamalla sitä kädellä.
21. Älä koskaan peukaloi turvakytintä. Tarkista usein, että turvakytin toimii asianmukaisesti.
22. Poista aina kiinnittimet työkalusta, kun työkalu ei ole käytössä.

SÄILYÄ NÄMÄ OHJEET.

VAROITUS: ÄLÄ anna työkalun helppokäyttöisyyden (toistuvan käytön aikaansaama) johtaa sinua väärrään turvallisuuden tunteeseen niin, että laiminlyöt työkalun turvaohjeiden noudattamisen. **VÄÄRINKÄYTTÖ** tai tässä käyttöohjeessa ilmoitettujen turvämääräysten laiminlyönti voi aiheuttaa vakavia henkilövahinkoja.

Akkupakettia koskevia tärkeitä turvaohjeita

1. Ennen akun käyttöönottoa tutustu kaikkiin laturissa (1), akussa (2) ja akkukäyttöisessä tuotteessa (3) oleviin varoitusteksteihin.
2. Älä pura akkua.
3. Jos akun toiminta-aika lyhenee merkittävästi, lopeta akun käyttö. Seurauksena voi olla ylikuumentuminen, palovammoja tai jopa räjähdys.
4. Jos akkunestettä pääsee silmiin, huuhtelee puhtaalla vedellä ja hakeudu välittömästi lääkärin hoitoon. Akkuneste voi aiheuttaa näön menetyksen.
5. Älä oikosulje akkua.
 - (1) Älä koske akun napoihin millään sähköä johtavalla materiaalilla.
 - (2) Vältä akun oikosulkemista äläkä säilytä akkua yhdessä muiden metalliesineiden, kuten naulojen, kolikoiden ja niin edelleen kanssa.
 - (3) Älä aseta akkua alttiiksi vedelle tai sateelle. Oikosulku voi aiheuttaa virtapiikin, ylikuumentumista, palovammoja tai laitteen rikkoontumisen.
6. Älä säilytä työkalua ja akkua paikassa, jossa lämpötila voi nousta 50 °C:een tai sitäkin korkeammaksi.
7. Älä hävitä akkua polttamalla, vaikka se olisi pahoin vaurioitunut tai täysin loppuun kulunut. Avotuli voi aiheuttaa akun räjähtämisen.
8. Varo kolhimasta tai pudottamasta akkua.
9. Älä käytä viallista akkua.
10. Sisältyviä litium-ioni-akkuja koskevat vaarallisten aineiden lainsäädännön vaatimukset. Esimerkiksi kolmansien osapuolten huoltaliikkeiden tulee kaupallisissa kuljetuksissa noudattaa pakkaamista ja merkintöjä koskevia erityisvaatimuksia. Lähetettävän tuotteen valmistelu edellyttää vaarallisten aineiden asiantuntijan neuvontaa. Huomioi myös mahdollisesti yksityiskohtaisemmat kansalliset määräykset Akun avoimet liittimet tulee suojata teipillä tai suojuksella ja pakkaaminen tulee tehdä niin, ettei akku voi liikkua pakkauksessa.
11. Hävitä akku paikallisten määräysten mukaisesti.

SÄILYÄ NÄMÄ OHJEET.

HUOMIO: Käytä vain alkuperäisiä Makita-akkuja. Muiden kuin aitojen Makita-akkujen, tai mahdollisesti muutettujen akkujen käyttö voi johtaa akun murtumiseen ja aiheuttaa tulipaloja, henkilö- ja omaisuusvahinkoja. Se mitätöi myös Makita-työkalun ja -laturin Makita-takuun.

Vihjeitä akun käyttöiän pidentämiseksi

1. Lataa akku ennen kuin se purkautuu täysin. Lopeta aina työkalun käyttö ja lataa akku, jos huomaat työkalun tehon vähenevän.
2. Älä koskaan lataa uudestaan täysin ladattua akkua. Ylilataaminen lyhentää akun käyttöikää.
3. Lataa akku huoneen lämpötilassa välillä 10 °C - 40 °C. Anna kuumen akun jäähtyä ennen lataamista.

TOIMINTOJEN KUVAUS

⚠️HUOMIO: Varmista aina ennen säätöjä ja tarkastuksia, että työkalu on sammutettu ja akkupaketti irrotettu.

Akun asentaminen tai irrottaminen

⚠️HUOMIO: Sammuta työkalu aina ennen akun kiinnittämistä tai irrottamista.

⚠️HUOMIO: Pidä työkalusta ja akusta tiukasti kiinni, kun irrotat tai kiinnität akkua. Jos akkupaketti tai työkalu putoaa, ne voivat vaurioitua tai aiheuttaa tapaturman.

► **Kuva1:** 1. Punainen merkkivalo 2. Painike
3. Akkupaketti

Irrota akku painamalla akun etupuolella olevaa painiketta ja vetämällä akku ulos työkalusta.

Akku liitetään sovittamalla akun kieleke rungon uraan ja työntämällä se sitten paikoilleen. Työnnä akku pohjaan asti niin, että kuulet sen napsahtavan paikoilleen. Jos painikkeen yläpuolella näkyy punainen ilmaisin, akku ei ole lukkiutunut täysin paikoilleen.

⚠️HUOMIO: Työnnä akku aina pohjaan asti, niin että punainen ilmaisin ei enää näy. Jos akku ei ole kunnolla paikallaan, se voi pudota työkalusta ja aiheuttaa vammoja joko sinulle tai sivullisille.

⚠️HUOMIO: Älä käytä voimaa akun asennuksessa. Jos akku ei lii'vu paikalleen helposti, se on väärässä asennossa.

Akun suojausjärjestelmä

Työkalu on varustettu akun suojausjärjestelmällä. Tämä järjestelmä pidentää akun käyttöikää katkaisemalla moottorin virran automaattisesti. Työkalu pysähtyy automaattisesti kesken käytön, jos työkalussa tai akussa ilmenee jokin seuraavista tilanteista:

Ylikuormitus:

Työkalua käytetään tavalla, joka saa sen kuluttamaan epätavallisen paljon virtaa.

Katkaise tässä tilanteessa työkalusta virta ja lopeta ylikuormitustilan aiheuttanut käyttö. Käynnistä sitten työkalu uudelleen kytkemällä siihen virta.

Jos työkalu ei käynnisty, akku on ylikuumentunut. Anna tässä tilanteessa akun jäähtyä, ennen kuin kytket työkaluun virran uudelleen.

Alhainen akun jännite:

Akun varaus on liian alhainen eikä riitä työkalun käyttämiseen. Jos kytket työkalun päälle, moottori ei käy tai se alkaa käydä uudelleen, mutta pysähtyy pian. Irrota tässä tilanteessa akku ja lataa se.

Akun jäljellä olevan varaustason ilmaisin

Vain akkupaketeille ilmaisimella

► **Kuva2:** 1. Merkkivalot 2. Tarkistuspainike

Painamalla tarkistuspainiketta saat näkyviin akun jäljellä olevan varauksen. Merkkivalot palavat muutaman sekunnin ajan.

Merkkivalot		Akussa jäljellä oleva varaus
Palaa	Pois päältä	
■ ■ ■ ■		75% - 100%
■ ■ ■ □		50% - 75%
■ ■ □ □		25% - 50%
■ □ □ □		0% - 25%

HUOMAA: Ilmoitettu varaustaso voi erota hieman todellisesta varaustasosta sen mukaan, millaisissa oloissa ja missä lämpötilassa laitetta käytetään.

Liipaisinlukkopainike

⚠️HUOMIO: Tarkista aina ennen akkupaketin asettamista työkaluun, että liipaisinkytkin kytketty oikein ja palaa "OFF"-asentoon, kun se vapautetaan.

⚠️HUOMIO: Kun et käytä työkalua, lukitse liipaisinkytkin OFF-asentoon painamalla liipaisinlukkopainiketta B-puolelta.

► **Kuva3:** 1. Liipaisinlukkopainike 2. Liipaisinkytkin

► **Kuva4**

Laitteessa on liipaisinlukkopainike, joka estää liipaisinkytkimen painamisen vahingossa. Vetääksesi kytkinlaukaisimesta, paina liipaisinlukkopainiketta A-puolelta.

Paina aina käytön jälkeen liipaisinlukkopainiketta B-puolelta.

Naulaimen syvydensäätö

⚠️VAROITUS: Varmista aina, ettei sormesi ole liipaisimen tai turvavivun päällä, sekä että akku on poistettu ennen naulaimen naulaussyvyyden säätöä.

Tässä naulaimessa on säädettävä naulaussyvyys. Naulaussyvyys säädetään säädintä kääntämällä. Naulaussyvyys on syvin, kun säädin on käännetty täysin suuntaan A kuvassa kuvatulla tavalla. Se muuttuu matalammaksi, kun säädintä käännetään suuntaan B. Syvyyttä voidaan säätää enintään 1,5 mm.

► **Kuva5:** 1. Säädin

► **Kuva6:** 1. Liian syvä 2. Samalla tasolla 3. Liian matala

Lampun sytyttäminen

⚠HUOMIO: Älä katso suoraan lampuun tai valonlähteeseen.

Lamppu syttyy, kun vedät liipaisinkytkintä tai aktivoit turvakytkimen. Lamppu palaa niin kauan kuin liipaisinkytkintä vedetään tai turvakytkin on aktivoitu. Lamppu sammuu noin 10 sekunnin kuluttua liipaisinkytkimen tai turvakytkimen vapauttamisesta.

► **Kuva7:** 1. Lamppu

HUOMAA: Pyyhi lika pois linssistä kuivalla liinalla. Varo naarmuttamista linssiä, ettei valoteho laske.

HUOMAA: Vaikka merkkivalo syttyy akun jäännösvirran purkauessa, naulain ei välttämättä laukaise nauloja. Tässä tilanteessa lataa akku.

KOKOONPANO

⚠HUOMIO: Varmista aina, ettei sormesi ole liipaisimen tai turvavivun päällä, sekä että akku on poistettu ennen minkäänlaisen työn suorittamista naulaimella.

Naulaimen lataus

⚠HUOMIO: Varmista aina, että akku on irrotettu ennen naulojen lataamista naulaimen. Tahaton laukaiseminen voi aiheuttaa henkilö- ja omaisuusvahingon.

⚠HUOMIO: Älä liu'uta nauloilla ladattua makasiinia äkillisesti. Naulojen pudottaminen tahattomasti, erityisesti korkeissa paikoissa työskennellen voi aiheuttaa henkilövahinkoja.

⚠HUOMIO: Lataa naulat oikeaan suuntaan. Väärään suuntaan lataaminen voi aiheuttaa käyttöpään ennenaikaisen kulumisen ja sekä muiden osien vahingoittumisen.

⚠HUOMIO: Älä käytä epämuodostuneita ja kerran käytettyjä nauloja. Käytä tässä ohjekirjassa määriteltyjä nauloja. Muiden, kuin määriteltyjen naulojen käyttö voi aiheuttaa niiden kiinnijuttumisen ja naulaimen rikkoutumisen.

1. Poista akkupaketti.
 2. Paina lukitusvipua ja liu'uta makasiinia taaksepäin.
 3. Kohdista naulojen kärjet makasiinin pohjassa oleviin uriin ja työnnä naulakampaa käyttöpään ohjainta kohti. (Ole huolellinen että asetat naulat oikeaan suuntaan.)
- **Kuva8:** 1. Naulat 2. Makasiini 3. Lukitusvipu 4. Käyttöpään ohjain

4. Työnnä makasiini paikalleen naulojen lataamisen jälkeen, kunnes se napsahtaa paikalleen.

Naulojen irrottaminen tapahtuu päinvastaisessa järjestyksessä.

Nokkasovitin

⚠HUOMIO: Varmista aina, ettei sormesi ole liipaisimen tai käyttöpään päällä, sekä että akku on poistettu ennen nokkasovittimen asentamista.

Käytä nokkasovitinta, kun laukaiset nauloja kiinnitettävään ja helposti vahingoittuvaan materiaaliin. Asenna nokkasovitin sijoittamalla se käyttöpään ohjain suojan päälle niin, että nokkasovittimen sisällä oleva uloke sopii hyvin käyttöpään ohjaimen suojan loveen. Säilytä nokkasovitinta makasiinin takaosassa olevassa pidikkeessä sen katoamisen estämiseksi.

► **Kuva9:** 1. Lovi 2. Uloke 3. Nokkasovitin 4. Pidike

Koukku

⚠HUOMIO: Älä ripusta koukkuja vyöhösi. Naulaimen pudottaminen koukun lähtiessä vahingoissa pois paikaltaan, voi aiheuttaa naulaimen tahattoman laukaisemisen ja henkilövahinkoja.

► **Kuva10**

Työkalu voidaan kätevästi ripustaa väliaikaisesti koukkuun. Tämä voidaan asentaa kummalle puolelle työkalua tahansa.

Asenna koukku työntämällä se työkalun rungon uraan jommallekummalle puolelle ja varmista kiinnitys ruuvilla. Voit irrottaa koukun löysäämällä ja irrottamalla ruuvin.

► **Kuva11:** 1. Ura 2. Koukku 3. Ruuvi

Kuusioavaimen säilytys

Säilytä kuusioavainta kuvan osoittamassa paikassa sen katoamisen välttämiseksi.

► **Kuva12:** 1. Kuusioavain

TYÖSKENTELY

Turvajärjestelmän testaaminen

⚠VAROITUS: Varmista ennen käyttöä, että kaikki turvajärjestelmät toimivat. Muuten seurauksena voi olla henkilövamman.

► **Kuva13:** 1. Liipaisinlukkopainike 2. Liipaisinkytkin 3. Turvakytkin 4. Makasiini

Testaa turvajärjestelmä mahdollisen häiriön varalta ennen käyttöä seuraavasti.

1. Poista työkalussa olevat naulat ja pidä makasiini avattuna.
2. Asenna akku ja vapauta liipaisinlukko.
3. Vedä vain liipaisinkytkimestä koskematta materiaalia turvakytkimellä.
4. Paina turvakytkin työkaluun vasten vetämättä liipaisinkytkimestä.

Jos työkalu toimii kuten mainitaan tapauksissa 3 ja 4, turvajärjestelmä on viallinen. Lopeta työkalun käyttö ja ota yhteyttä paikalliseen huoltoedustajaan.

Naulojen laukaiseminen

VAROITUS: Jatka pitämällä turvavipua tiukasti kiinni materiaalissa, kunnes naula oppoa täysin materiaalin sisään. Tahaton laukaiseminen voi aiheuttaa henkilövahinkoja.

1. Vapauta liipaisinlukko.
 2. Aseta turvakytin työkappaletta vasten.
 3. Vedä liipaisimesta naulojen laukaisemiseksi.
 4. Laukaise seuraava naula vapauttamalla sormesi liipaisimelta ja tämän jälkeen toistamalla edellämaintuja vaiheita 2 ja 3.
- **Kuva14:** 1. Liipaisin 2. Turvavipu

Voit myös laukaista nauloja vetämällä työkalua seuraavaan kohtaan turvavivun ollessa painettuna materiaalilla vasten ja käyttämällä liipaisinta.

► **Kuva15**

Jos työkappaleeseen laukaistun naulan kärjet pysyvät pinnan yläpuolella, laukaise naula niin, että pidät samalla naulaimen päätä tukevasti työkappaletta vasten.

► **Kuva16**

HUOMAA: Jos naula jää vieläkin työkappaleen päälle vaikka pidät naulaimen päätä työkappaletta vasten, käytettävä materiaali ei ehkä sovellu naulaimelle. Naulaimen käyttö kyseisellä materiaalilla voi johtaa naulaimen käyttöpäähän vaurioihin ja/tai naulaimen juuttumiseen.

Tyhjälaukaisun estomekanismi

VAROITUS: Varmista aina, ettei sormesi ole liipaisimen tai turvavivun päällä, sekä että akku on poistettu ennen naulaimen lataamista.

Liipaisinta ei voi enää käyttää, jos makasiinissa jäljelläolevien naulojen määrä on 0 - 3 kpl. Aseta tässä tapauksessa uusi naulakampa makasiiniin, jolloin liipaisin on taas käytettävissä.

HUOMAA: Kun laukaiset eripituisia nauloja heti kuivausvastaisen laukaisulaitteen käynnistyttyä, aseta uusi naulakampa makasiiniin ja laukaise kaikki aikaisemmat naulat pois, jotka ovat jääneet hylkymateriaaliin.

Jäljelläolevien naulojen tarkastus

Voit tarkastaa jäljelläolevien naulojen määrän tarkastussikkunan kautta.

Punainen osoitin liikkuu eteenpäin kiinnikeaukkoa kohti ilmaisten jäljelläolevien naulojen määrän pienemistä.

► **Kuva17:** 1. Tähyстинikkuna 2. Ilmaisin

Juuttuneiden naulojen poistaminen

VAROITUS: Varmista aina, että akku on irrotettu ennen juuttuneiden naulojen irrottamista.

Poista makasiiniin jääneet naulat.

Irrota käyttöpäähän ohjaimen suojan kiinnittävät kolme kiinnitysruuvia kuusioavaimella.

Poista juuttuneet naulat naulojen ohjainurasta.

Jos naulat ovat tiukassa, irrota lisäksi turvavivun yläsuojan kiinnittävät kaksi kiinnitysruuvia kuusioavaimella. Poista naulat.

► **Kuva18:** 1. Käyttöpäähän ohjaimen suoja 2. Ruuvi 3. Turvavivun yläsuoja

KUNNOSSAPITO

HUOMIO: Varmista aina ennen tarkastusta tai huoltoa, että työkalu on sammutettu ja akku irrotettu.

HUOMAUTUS: Älä koskaan käytä bensiiniä, ohenteita, alkoholia tai tms. aineita. Muutoin pinta voi halkeilla tai sen värit ja muoto voivat muuttua. Muutoin laitteeseen voi tulla värjäytymiä, muodon vääristymiä tai halkeamia.

Tuotteen TURVALLISUUDEN ja LUOTETTAVUUDEN takaamiseksi korjaukset, muut huoltotyöt ja säädöt on teetettävä Makitan valtuutetussa huoltopisteessä Makitan varaosia käyttäen.

LISÄVARUSTEET

HUOMIO: Seuraavia lisävarusteita tai laitteita suositellaan käytettäväksi tässä ohjeessa kuvatun Makita-työkalun kanssa. Muiden lisävarusteiden tai laitteiden käyttö voi aiheuttaa henkilövahinkoja. Käytä lisävarusteita ja -laitteita vain niiden käyttötarkoituksen mukaisesti.

Jos tarvitset apua tai yksityiskohtaisempia tietoja seuraavista lisävarusteista, ota yhteys paikalliseen Makitan huoltoon.

- Naulat
- Aito Makitan akku ja laturi
- Suojalasit

HUOMAA: Jotkin luettelossa mainitut varusteet voivat sisältyä työkalun toimitukseen vakiovarusteina. Ne voivat vaihdella maittain.

SPECIFIKĀCIJAS

Modelis:	PT354D	
Tapu izmērs	ø0,6 mm × 15, 18, 25, 30, 35 mm	
Tapu aptveres ietilpība	100 gab	
Izmēri bez āķa (G × P × A)	231 mm × 80 mm × 226 mm	
Nominālais spriegums	Līdzstrāva 10,8 V	
Akumulatora kasetne	BL1015, BL1020B	BL1040B
Tīrsvars	1,8 kg	2,0 kg

- Nepārtrauktās izpētes un izstrādes programmas dēļ šeit uzrādītās specifikācijas var tikt mainītas bez brīdinājuma.
- Specifikācijas un akumulatora kasetne var atšķirties dažādās valstīs.
- Svārs var būt atšķirīgs atkarībā no papildierīces(-ēm), tostarp akumulatora kasetnes. Tabulā ir attēlota vieglākā un smagākā kombinācija atbilstoši EPTA procedūrai 01/2014.

Paredzētā lietošana

Šis darbarīks ir paredzēts tapu iespiešanai būvmateriālos, piemēram, kokmateriālā.

Trokšņa līmenis

Tipiskais A svērtais trokšņa līmenis noteikts saskaņā ar EN60745:

Skaņas spiediena līmenis (L_{pA}): 76 dB (A)

Mainīgums (K): 3 dB (A)

Darbības laikā trokšņa līmenis var pārsniegt 80 dB (A).

▲BRĪDINĀJUMS: Lietojiet ausu aizsargus.

Vibrācija

Vibrācijas kopējā vērtība noteikta atbilstoši EN60745:

Vibrācijas izmērs (a_{h1}): 2,5 m/s² vai mazāk

Mainīgums (K): 1,5 m/s²

PIEZĪME: Paziņotā vibrācijas emisijas vērtība noteikta atbilstoši standarta pārbaudes metodei un to var izmantot, lai salīdzinātu vienu darbarīku ar citu.

PIEZĪME: Paziņoto vibrācijas emisijas vērtību arī var izmantot iedarbības sākotnējā novērtējumā.

▲BRĪDINĀJUMS: Reāli lietojot elektrisko darbarīku, vibrācijas emisija var atšķirties no paziņotās emisijas vērtības atkarībā no darbarīka izmantošanas veida.

▲BRĪDINĀJUMS: Lai aizsargātu lietotāju, nosakiet drošības pasākumus, kas pamatoti ar iedarbību reālos darba apstākļos (ņemot vērā visus ekspluatācijas cikla posmus, piemēram, laiku, kamēr darbarīks ir izslēgts un kad darbojas tukšgaitā, kā arī palaišanas laiku).

EK atbilstības deklarācija

Tikai Eiropas valstīm

EK atbilstības deklarācija šajā lietošanas rokasgrāmatā ir iekļauta kā A pielikums.

DROŠĪBAS BRĪDINĀJUMI

Vispārīgi elektrisko darbarīku drošības brīdinājumi

▲BRĪDINĀJUMS: Izlasiet visus drošības brīdinājumus, instrukcijas, apskatiet ilustrācijas un tehniskos datus, kas iekļauti mehanizētā darbarīka komplektācijā. Ja netiek ievēroti visi tālāk minētie noteikumi, var tikt izraisīta elektrotrauma, notikt aizdegšanās un/vai rasties smagas traumas.

Glabājiet visus brīdinājumus un norādījumus, lai varētu tajos ieskatīties turpmāk.

Termins „elektrisks darbarīks” brīdinājumos attiecas uz tādu elektrisko darbarīku, ko darbinā ar elektrību (ar vadu), vai tādu, ko darbinā ar akumulatoru (bez vada).

Drošības brīdinājumi bezvadu tapotāja lietošanai

1. **Vienmēr uzskatiet, ka darbarīkā atrodas stiprinājumi.** Neuzmanīga apiešanās ar tapotāju var izraisīt negaidītu stiprinājumu izšaušanu un cilvēku savainojumus.
2. **Nevērsiet darbarīku pret sevi un pret citiem.** Nejauša nospiešana izšaus stiprinājumu, radot traumu.
3. **Neieslēdziet darbarīku, kamēr tas nav stingri piespiests apstrādājamam materiālam.** Ja darbarīks nesaskaras ar apstrādājamo materiālu, stiprinājums var atlēkt no mērķa.
4. **Atvienojiet darbarīku no strāvas avota, ja stiprinājums iesprūdis darbarīkā.** Iesprūduša stiprinājuma izņemšanas laikā tapotājs var tikt netīšām iedarbināts, ja tas ir pievienots elektroapgādes avotam.
5. **Izņemot iesprūdušu stiprinājumu, rīkojieties piesardzīgi.** Mehānisms var būt zem spiediena, un, mēģinot atbrīvot iesprūdušu stiprinājumu, stiprinājums var tikt ar spēku izgrūsts.

6. Neizmantojiet tapotāju elektrisko kabelu piestiprināšanai. Tas nav paredzēts elektrisko kabelu uzstādīšanai un var sabojāt elektrisko kabelu izolāciju, radot elektriskās strāvas triecienu vai aizdegšanās risku.
7. Vienmēr izmantojiet aizsargbrilles, lai pasargātu acis no putekļiem vai stiprinājumu izraisītajām traumām.

⚠BRĪDINĀJUMS: darba devējam ir jānodrošina tas, lai darbarīka operatori un citas tieši šajā darba vietā esošās personas izmantotu aizsargbrilles.
8. Turiet rokas un kājas drošā attālumā no izvades atveres.
9. Ievērojiet norādījumus par eļļošanu un piederumu maiņu.
10. Pirms stiprinājumu ievietošanas, regulēšanas, pārbaudes, apkopes vai pēc darba veikšanas vienmēr izņemiet akumulatora kasetni.
11. Pirms darba sākuma pārliecinieties, ka tuvumā nav cilvēku. Nekad nedzeniet stiprinājumus vienlaikus gan sienas iekšpusē, gan ārpusē. Stiprinājumi var izkļūt cauri darba virsmai un/ vai izlidot, radot nopietnu apdraudējumu.
12. Izmantojot šo darbarīku, ir svarīgi saglabāt līdzsvaru un stabilu pamatu zem kājām. Ja lietojat darbarīku augstumā, pārliecinieties, ka apakšā nav cilvēku.
13. Nekad neizmantojiet stiprinājumu darbarīkus, kas marķēti ar simbolu “Neizmantojiet uz sastatnēm, kāpnēm” šādos gadījumos:
 - ja, pārvietojoties no vienas vietas uz citu, ir jāizmanto sastatnes, trepes, kāpnes vai kāpnēm līdzīgas konstrukcijas, piemēram, jumta latas;
 - lai noslēgtu kastes vai režģus;
 - lai ierīkodu pārvadāšanas drošības sistēmas, piemēram, transportlīdzekļos vai vagonos.
14. Rūpīgi pārbaudiet sienas, griestus, grīdas un tamlīdzīgas vietas, lai novērstu elektrotraumu, gāzes noplūdes, sprādzienu un citu apdraudējumu iespējamību, ko var izraisīt zem sprieguma esošu vadu, cauruļu vadu vai gāzes cauruļu aizķeršana ar skavu.
15. Izmantojiet tikai tādus stiprinājumus, kas norādīti šajā rokasgrāmatā. Citu stiprinājumu lietošana var izraisīt darbarīka nepareizu darbību.
16. Nekādā gadījumā nemēģiniet izjaukt darbarīku un neizmantojiet to citam nolūkam kā vien stiprinājumu iedzīšanai.
17. Nelietojiet darbarīku bez stiprinājumiem. Tādējādi tiks saīsināts darbarīka darbūms.
18. Nekavējoties pārtrauciet skavu dzīšanu, ja konstatējat, ka darbarīks nedarbojas pareizi.
19. Nekad nedzeniet stiprinājumu materiālos, kurus stiprinājums varētu caursist un izlidot tiem cauri kā šāvīns.
20. Nekad vienlaicīgi nespiediet slēdža mēlīti un saskares elementu, ja neesat gatavs nostiprināt apstrādājamo materiālu. Ļaujiet, lai saskares elements nospiežas pret materiālu. Nekad nemainiet saskares elementa paredzēto nolūku, nostiprinot to iespēstā stāvoklī vai spiežot ar roku.
21. Nekādā gadījumā nemēģiniet izjaukt saskares elementu. Regulāri pārbaudiet saskares elementa pareizu darbību.
22. Kad darbarīku neizmantojat, izņemiet no tā stiprinājumus.

SAGLABĀJIET ŠOS NORĀDĪJUMUS.

⚠BRĪDINĀJUMS: NEPIEĻAUJIET to, ka labu iemaņu vai izstrādājuma labas pārziņāšanas (darbarīku atkārtoti ekspluatējot) rezultātā vaurs stingri neievērojāt šī izstrādājuma drošības noteikumus. NEPAREIZI LIETOJOT darbarīku vai neievērojot šajā instrukciju rokasgrāmatā minētos drošības noteikumus, var tikt gūtas smagas traumas.

Svarīgi drošības norādījumi par akumulatora kasetni

1. Pirms akumulatora lietošanas izlasiet visus norādījumus un brīdinājumus, kuri attiecas uz (1) akumulatora lādētāju, (2) akumulatoru un (3) ierīci, kurā tiek izmantots akumulators.
2. Neizjauciet akumulatoru.
3. Ja akumulatora darbības laiks kļūva ievērojami īsāks, nekavējoties pārtrauciet to izmantot. Citādi, tas var izraisīt pārkarsējumu, uzliesmojumu vai pat sprādzienu.
4. Ja elektrolīts nonāk acīs, izskalojiet tās ar tīru ūdens un nekavējoties griezties pie ārsta. Tas var izraisīt redzes zaudēšanu.
5. Neradiet īssavienojumu akumulatora kasetnē:
 - (1) Nepieskarieties spailēm ar elektrību vadošiem materiāliem.
 - (2) Neuzglabājiet akumulatoru kasetni kopā ar citiem metāla priekšmetiem, tādiem kā naglas, monētas u. c.
 - (3) Nepakļaujiet akumulatora kasetni ūdens vai lietus iedarbībai.

Akumulatora īssavienojums var radīt spēcīgu strāvas plūsmu, pārkaršanu, uzliesmojumu un pat sabojāt akumulatoru.
6. Neglabājiet darbarīku un akumulatora kasetni vietās, kur temperatūra var sasniegt vai pārsniegt 50 °C (122 °F).
7. Nededziniet akumulatora kasetni, pat ja tā ir stipri bojāta vai pilnībā nolietota. Akumulatora kasetne ugunī var eksplodēt.
8. Uzmanieties, lai neļautu akumulatoram nokrist un nepakļautu to sitienam.
9. Neizmantojiet bojātu akumulatoru.
10. Uz izmantotajiem litija jonu akumulatoriem attiecas likumdošanas prasības par bīstamiem izstrādājumiem.

Komerציālā transportēšanā, ko veic, piemēram, trešās puses, transporta uzņēmumi, jāievēro uz iesaiņojuma un marķējuma norādītās īpašās prasības. Lai izstrādājumu sagatavotu nosūtīšanai, jāsaīnās ar bīstamo materiālu speciālistu. Ievērojiet arī citus attiecināmos valsts normatīvus. Vaļējus kontaktus nosedziet ar līmlenti vai citādi pārklājiet, bet akumulatoru iesaiņojiet tā, lai saīnī tas nevarētu izkustēties.
11. Ievērojiet vietējos noteikumus par akumulatora likvidēšanu.

SAGLABĀJIET ŠOS NORĀDĪJUMUS.

⚠UZMANĪBU: Lietojiet tikai oriģinālos Makita akumulatorus. Ja lietojat neoriģinālus Makita akumulatorus vai pārveidotus akumulatorus, tie var uzsprāgt un izraisīt aizdegšanos, traumas un materiālos zaudējumus. Tiks anulēta arī Makita darbarīka un lādētāja garantija.

Ieteikumi akumulatora kalpošanas laika pagarināšanai

1. Uzlādējiet akumulatora kasetni, pirms tā ir pilnībā izlādējusies. Vienmēr, kad ievērojat, ka darbarīka darba jauda zudusi, apturiet darbarīku un uzlādējiet akumulatora kasetni.
2. Nekad neuzlādējiet pilnībā izlādētu akumulatora kasetni. Pārmērīga uzlāde saīsina akumulatora kalpošanas laiku.
3. Uzlādējiet akumulatora kasetni istabas temperatūrā 10 °C - 40 °C. Karstai akumulatora kasetnei pirms uzlādes ļaujiet atdzist.

FUNKCIJU APRAKSTS

UZMANĪBU: Pirms darbarīka regulēšanas vai tā darbības pārbaudes vienmēr pārliecinieties, ka darbarīks ir izslēgts un akumulatora kasetne ir izņemta.

Akumulatora kasetnes uzstādīšana un izņemšana

UZMANĪBU: Vienmēr pirms akumulatora kasetnes uzstādīšanas vai noņemšanas izslēdziet darbarīku.

UZMANĪBU: Uzstādot vai izņemot akumulatora kasetni, darbarīku un akumulatora kasetni turiet cieši. Ja darbarīku un akumulatora kasetni netur cieši, tie var izkrist no rokām un radīt bojājumus darbarīkam un akumulatora kasetnei, kā arī izraisīt ievainojumus.

- **Att.1:** 1. Sarkanās krāsas indikators 2. Poga 3. Akumulatora kasetne

Lai izņemtu akumulatora kasetni, izvelciet to no darbarīka, pārbindot kasetnes priekšpusē esošo pogu.

Lai uzstādītu akumulatora kasetni, salāgojiet mēlīti uz akumulatora kasetnes ar rievu ietvarā un iebīdīet to vietā. Ievietojiet to līdz galam, līdz tā ar klikšķi nokļūst. Ja pogas augšējā daļā redzams sarkanais krāsas indikators, tas nozīmē, ka tā nav pilnīgi fiksēta.

UZMANĪBU: Vienmēr ievietojiet akumulatora kasetni tā, lai sarkanais indikators nebūtu redzams. Pretējā gadījumā tā var nejauši izkrist no darbarīka un izraisīt jums vai apkārtējiem traumas.

UZMANĪBU: Neievietojiet akumulatora kasetni ar spēku. Ja kasetne neslīd ietvarā viegli, tā nav pareizi ielikta.

Akumulatora aizsardzības sistēma

Darbarīks ir aprīkots ar akumulatora aizsardzības sistēmu. Šī sistēma automātiski izslēdz jaudas padevi motoram, lai pagarinātu akumulatora kalpošanas laiku. Darbarīks automātiski pārstās darboties ekspluatācijas laikā, ja darbarīku un/vai akumulatoru pakļaus kādam no tālāk minētajiem apstākļiem:

Pārslodze:

Darbarīku ekspluatācijas laikā lieto tādā veidā, ka tas saista pārmērīgu strāvu.

Šādā gadījumā izslēdziet darbarīku un pārtrauciet darbarīka pārslodzi izraisījušo darbu. Tad ieslēdziet darbarīku, lai atsāktu darbu. Ja darbarīks neieslēdzas, akumulators ir pārkaršis. Šādā gadījumā ļaujiet akumulatoram atdzist pirms atkārtotas darbarīka ieslēgšanas.

Zema akumulatora jauda:

Akumulatora uzlādes līmenis ir pārāk zems, tāpēc darbarīks nedarbosies. Ja ieslēgsit darbarīku, motors nesāks darboties vai iedarbosies, taču drīz apstāsies. Šādā gadījumā noņemiet akumulatoru un uzlādējiet.

Atlikušās akumulatora jaudas indikators

Tikai akumulatora kasetnēm ar indikatoru

► **Att.2:** 1. Indikatora lampas 2. Pārbaudes poga

Nospiediet akumulatora kasetnes pārbaudes pogu, lai pārbaudītu akumulatora atlikušo uzlādes līmeni. Indikatori iedegsies uz dažām sekundēm.

Indikatora lampas		Atlikusī jauda
Iededzies	Izslēgts	
		No 75% līdz 100%
		No 50% līdz 75%
		No 25% līdz 50%
		No 0% līdz 25%

PIEZĪME: Reālā jauda var nedaudz atšķirties no norādītās atkarībā no lietošanas apstākļiem un apkārtējās temperatūras.

Mēlītes bloķēšanas poga

UZMANĪBU: Pirms akumulatora kasetnes uzstādīšanas darbarīkā vienmēr pārbaudiet, vai slēdža mēlīte darbojas pareizi un pēc atlaišanas atgriežas stāvoklī „OFF” (izslēgts).

UZMANĪBU: Ja darbarīku neizmantojat, vienmēr nospiediet mēlītes bloķēšanas pogu B pusē, lai bloķētu slēdža mēlīti stāvoklī OFF (izslēgts).

- **Att.3:** 1. Mēlītes bloķēšanas poga 2. Slēdža mēlīte
► **Att.4**

Lai nepieļautu slēdža mēlītes nejaušu nospiešanu, darbarīkam ir mēlītes bloķēšanas poga. Lai nospiestu slēdža mēlīti, nospiediet mēlītes bloķēšanas pogu A pusē. Pēc lietošanas, vienmēr iespiediet mēlītes bloķēšanas pogu no B puses.

Tapošanas dziļuma regulēšana

BRĪDINĀJUMS: Vienmēr pirms tapošanas dziļuma regulēšanas pārliecinieties, ka jūsu pirkti neatrodas uz slēdža mēlītes vai saskares elementa un akumulatora kasetne ir izņemta.

Šim tapotājam var regulēt tapošanas dziļumu. Lai noregulētu tapošanas dziļumu, pagrieziet regulētāju. Maksimālais tapošanas dziļums ir uzstādīts, kad regulētājs ir līdz galam pagriezts A virzienā, kā attēlots zīmējumā. Dziļums samazinās, regulētāju pagriežot B virzienā. Dziļumu var regulēt no 1,5 mm līdz maksimumam.

- ▶ **Att.5:** 1. Regulētājs
- ▶ **Att.6:** 1. Pārāk dziļi 2. Līmenī ar virsmu 3. Pārāk sekli

Lampas ieslēgšana

UZMANĪBU: Neskatieties gaismā, neļaujiet tās avotam iespīdēt acīs.

Nospiediet slēdža mēlīti vai iedarbiniet saskares elementu, lai ieslēgtu lampu. Kamēr slēdža mēlīte nospiesta vai saskares elements iedarbināts, lampa deg. Apmēram 10 sekundes pēc slēdža mēlītes atlaišanas un saskares elementa izslēgšanas lampa nodziest.

▶ **Att.7:** 1. Lampa

PIEZĪME: Ar sausu lupatīņu notīriet netīrumus no lampas lēcas. Izvairieties saskrāpēt lampas lēcu, jo tādējādi tiek samazināts apgaismojums.

PIEZĪME: Pat, ja lampa iedegas, kad atlikušais akumulatora uzlādes līmenis kļūst mazāks, tapotājs var neizšaut tapas. Šādā gadījumā uzlādējiet akumulatora kasetni.

MONTĀŽA

UZMANĪBU: Pirms jebkādu darbību veikšanas ar tapotāju vienmēr pārlicinieties, ka jūsu pirkti neatrodas uz slēdža mēlītes vai saskares elementa un akumulatora kasetne ir izņemta.

Tapotāja uzpildīšana

UZMANĪBU: Pirms tapotāja uzpildīšanas vienmēr pārlicinieties, ka ir izņemta akumulatora kasetne. Nejauša izšaušana var radīt traumu un sabojāt materiālus.

UZMANĪBU: Nebīdīet strauji tapotāja aptveri, kurā iepildītas tapas. Nejauši krītošas tapas, īpaši strādājot augstu esošās vietās, var savainot cilvēkus.

UZMANĪBU: Ielādējiet tapas pareizajā virzienā. Ielādēšana nepareizajā virzienā var izraisīt iedzišanas mehānisma pārāgru nolietošanos un citu detaļu bojājumus.

UZMANĪBU: Neizmantojiet deformētas savienotās tapas. Izmantojiet tikai tādas tapas, kas norādītas šajā rokasgrāmatā. Šajā rokasgrāmatā nenorādītu tapu izmantošana var izraisīt tapu iestrēgšanu un tapotāja salūšanu.

1. Izņemiet akumulatora kaseti.
2. Nospiediet bloķēšanas sviru un bīdīet aptveri atpakaļ.
3. Savietojiet tapu galus ar aptveres apakšā esošajām rievām un bīdīet visu naglu partiju uz iedzišanas mehānisma vadotnes pusi. (Esiet uzmanīgs, novietojiet tapas pareizajā virzienā.)
- ▶ **Att.8:** 1. Tapas 2. Aptvere 3. Bloķēšanas svira 4. Iedzišanas mehānisma vadotne
4. Pēc tapu ievietošanas iespiediet aptveri vietā, līdz tā nofiksējas ar klikšķi.

Lai izņemtu tapas, veiciet iepriekš aprakstītās uzstādīšanas darbības pretējā secībā.

Uzgaļa pāreja

UZMANĪBU: Vienmēr pirms uzgaļa pārejas uzstādīšanas pārlicinieties, ka jūsu pirkti neatrodas uz slēdža mēlītes vai saskares elementa un akumulatora kasetne ir izņemta.

Kad izšaujāt tapas uz piestiprināmo materiālu ar viegli bojājamu virsmu, izmantojiet uzgaļa pāreju. Lai uzstādītu uzgaļa pāreju, novietojiet to virs iedzišanas mehānisma vadītākas pārsega tā, lai izvīzījums gala adaptera iekšpusē atbilst spraugai vadītākas pārsega. Kad uzgaļa pāreja netiek izmantota, glabājiet to turētājā, kas atrodas aptveres galā, lai tā nepazustu.

- ▶ **Att.9:** 1. Sprauga 2. Izvīzījums 3. Uzgaļa pāreja 4. Turētājs

Āķis

UZMANĪBU: Nekariniet āķi aiz jostas. Ja āķis nejauši atvienojas un tapotājs nokrīt, tapas var nejauši izšauties un ievainot cilvēkus.

- ▶ **Att.10**

Āķis ir noderīgs darbarīka īslaicīgai uzkarināšanai. To var uzstādīt jebkurā darbarīka pusē. Lai uzstādītu āķi, ievietojiet to rievā jebkurā darbarīka korpusa pusē, un tad ar skrūvi pieskrūvējiet. Lai to izņemtu, atlaidiet skrūvi un izņemiet.

- ▶ **Att.11:** 1. Rieva 2. Āķis 3. Skrūve

Sešstūru uzgriežņu atslēgas glabāšana

Kad sešstūru uzgriežņu atslēga netiek lietota, glabājiet to, kā parādīts, lai atslēgu nepazaudētu.

- ▶ **Att.12:** 1. Sešstūru uzgriežņu atslēga

EKSPLUATĀCIJA

Drošības sistēmas pārbaude

ĀBRĪDINĀJUMS: Pirms darba sākšanas pārlicinieties, ka visas drošības sistēmas ir darba kārtībā. Pretējā gadījumā var rasties trauma.

- ▶ **Att.13:** 1. Mēlītes bloķēšanas poga 2. Slēdža mēlīte 3. Saskares elements 4. Aptvere

Pirms darba pārbaudiet, vai drošības sistēmās nav radušās kļūmes, izpildot šos norādījumus.

1. Izņemiet tapas no instrumenta un atstājiet aptveri atvērtu.
2. Ievietojiet akumulatora kasetni un atbrīvojiet mēlītes bloķēšanas ierīci.
3. Piespiediet slēdža mēlīti, saskares elementam nepieskaroties materiālam.
4. Pieskarieties ar saskares elementu materiālam, nenospiežot slēdža mēlīti.

Ja darbarīks darbojas gadījumos, kas minēti 3. un 4. punktā, drošības sistēmās ir kļūmes. Nekavējoties pārtrauciet darbarīka lietošanu un sazinieties ar vietējo klientu apkalpošanas centru.

Tapu iedzišana

▲BRĪDINĀJUMS: Stingri turiet saskares elementu uz materiāla, līdz tapa ir pilnībā iedzipta. Nejauciet izšaušana var radīt traumu.

1. Atbrīvojiet mēlītes blokēšanas ierīci.
 2. Novietojiet saskares elementu uz apstrādājamā materiāla.
 3. Pilnībā pavelciet slēdža mēlīti, lai iedzītu tapu.
 4. Lai iedzītu nākamo tapu, vienu reizi atlaižiet pirkstu no slēdža mēlītes un tad atkārtojiet iepriekš aprakstīto 2. un 3. darbību.
- **Att.14:** 1. Slēdža mēlīte 2. Saskares elements

Varat arī iedzīt tapas, ja velkat instrumentu līdz nākamajai darba zonai, turot saskares elementu piespiestu materiālam, un pavelkat slēdža mēlīti.

► **Att.15**

Ja tapas galva paliek virs darba materiāla virsmas, iedzeniet tapu, turot tapotāja galvu cieši piespiestu pie apstrādājamā materiāla.

► **Att.16**

PIEZĪME: Ja tapas galva joprojām paliek virs materiāla virsmas pat tad, ja turat tapas galvu, iespējams, ka materiāls nav piemērots darbam ar tapotāju. Ja turpināsiet izmantot tapotāju ar šādu materiālu, var rasties bojājumi tapotāja iedzišanas mehānismā un/vai tapotājs var iestrēgt.

Mehānisms, kas novērš lietošanu, kad beigušās skavas

▲BRĪDINĀJUMS: Vienmēr pirms tapotāja ielādēšanas pārlicinieties, ka jūsu pirksti neatrodas uz slēdža mēlītes vai saskares elementa un akumulatora kasetne ir izņemta.

Kad atlikušo tapu skaits aptverē ir 0–3 gab., slēdža mēlīti vairs nevar pavilkt. Šajā brīdī ievietojiet aptverē jaunas lentē savienotas tapas, un slēdža mēlīti atkal var pavilkt.

PIEZĪME: Šaujot citāda garuma tapas īsi pēc tam, kad aktivizējusies ierīce, kas novērš tukšas aptveres darbināšanu, ievietojiet aptverē jaunu lenti ar savienotām tapām un izšaujiet ārā visas atlikušās iepriekšējās tapas uz kāda nederīga materiāla.

Atlikušo tapu daudzuma pārbaude

Caur skatlodziņu varat pārbaudīt atlikušo tapu daudzumu.

Atlikušo tapu skaitam samazinoties, sarkanais indikators pārvietojas uz stiprinājuma atveres pusi.

► **Att.17:** 1. Skata lodziņš 2. Indikators

Iestrēgušu tapu izņemšana

▲BRĪDINĀJUMS: Pirms iestrēgušu tapu izņemšanas vienmēr pārlicinieties, ka ir izņemta akumulatora kasetne.

Izņemiet ārā tapas, kas palikušas aptverē. Ar sešstūru uzgriežņu atslēgu atskrūvējiet trīs skrūves, ar ko nostiprināts iedzišanas mehānisma vadotnes pārsegs.

Izņemiet iestrēgušās tapas no tapu vadotnes rievās, kas tagad ir redzama. Ja iestrēgušās tapas ir grūti izņemamas, ar sešstūru uzgriežņu atslēgu izskrūvējiet vēl divas skrūves, ar ko nostiprināts saskares augšējais pārsegs. Tad izņemiet tās.

► **Att.18:** 1. Iedzišanas mehānisma vadotnes pārsegs
2. Skrūve 3. Saskares augšējais pārsegs

APKOPE

▲UZMANĪBU: Pirms darbarīka pārbaudes vai apkopes vienmēr pārlicinieties, ka darbarīks ir izslēgts un akumulatora kasetne ir izņemta.

IEVĒRĪBAI: Nekad neizmantojiet gāzoliņu, benzīnu, atšķaidītāju, spirtu vai līdzīgus šķidrumus. Tas var radīt izbalēšanu, deformāciju vai plaisas.

Lai saglabātu izstrādājuma DROŠU un UZTICAMU darbību, remontdarbus, apkopi un regulēšanu uzticiet veikt tikai Makita pilnvarotam vai rūpnīcas apkopes centram, un vienmēr izmantojiet tikai Makita rezerves daļas.

PAPILDU PIEDERUMI

▲UZMANĪBU: Šādi piederumi un papildierīces tiek ieteiktas lietošanai ar šajā rokasgrāmatā aprakstīto Makita darbarīku. Izmantojot citus piederumus vai papildierīces, var tikt radīta traumu gūšanas bīstamība. Piederumu vai papildierīci izmantojiet tikai paredzētajam mērķim.

Ja jums vajadzīga palīdzība vai precīzāka informācija par šiem piederumiem, vērsieties savā tuvākajā Makita apkopes centrā.

- Tapas
- Makita oriģinālais akumulators un lādētājs
- Aizsargbrilles

PIEZĪME: Daži sarakstā norādītie izstrādājumi var būt iekļauti instrumenta komplektācijā kā standarta piederumi. Tie dažādās valstīs var būt atšķirīgi.

SPECIFIKACIJOS

Modelis:	PT354D	
Segtukų dydis	ø0,6 mm x 15, 18, 25, 30, 35 mm	
Segtukų dėtuvės talpa	100 vnt.	
Matmenys be kablo (l x P x A)	231 mm x 80 mm x 226 mm	
Vardinė įtampa	Nuol. sr. 10,8 V	
Akumuliatoriaus kasetė	BL1015, BL1020B	BL1040B
Grynasis svoris	1,8 kg	2,0 kg

- Atlikame tęstinius tyrimus ir nuolatos tobuliname savo gaminius, todėl čia pateikiamos specifikacijos gali būti keičiamos be įspėjimo.
- Įvairiose šalyse specifikacijos ir akumuliatoriaus kasetė gali skirtis.
- Svoris gali priklausyti nuo priedo (-ų), įskaitant akumuliatoriaus kasetę. Lengviausias ir sunkiausias deriniai pagal EPTA 2014 m. sausio mėn. procedūrą yra parodyti lentelėje.

Numatytoji naudojimo paskirtis

Šis įrankis skirtas segtukams kalti į statybinės medžiagas, pvz., rąstus.

Triukšmas

Įprastas triukšmo A lygis, nustatytas pagal EN60745: Garso slėgio lygis (L_{pA}): 76 dB (A)
Paklaida (K): 3 dB (A)

Dirbant triukšmo lygis gali viršyti 80 dB (A).

ĮSPĖJIMAS: Dėvėkite ausų apsaugą.

Vibracija

Bendras vibracijos dydis, nustatytas pagal EN60745: Vibracijos emisija (a_h): 2,5 m/s² arba mažiau
Paklaida (K): 1,5 m/s²

PASTABA: Paskelbtasis vibracijos emisijos dydis nustatytas pagal standartinį testavimo metodą ir jį galima naudoti vienam įrankiui palyginti su kitu.

PASTABA: Paskelbtasis vibracijos emisijos dydis taip pat gali būti naudojamas preliminariai įvertinti vibracijos poveikį.

ĮSPĖJIMAS: Faktiškai naudojant elektrinį įrankį, keliamos vibracijos dydis gali skirtis nuo paskelbtojo dydžio, priklausomai nuo būdų, kuriais yra naudojamas šis įrankis.

ĮSPĖJIMAS: Siekdami apsaugoti operatorių, būtinai įvertinkite saugos priemones, remdamiesi vibracijos poveikio įvertinimu esant faktinėms naudojimo sąlygoms (atsižvelgdami į visas darbo ciklo dalis, pavyzdžiui, ne tik kiek laiko įrankis veikia, bet ir kiek kartų jis yra išjungiamas bei kai jis veikia be apkrovų).

EB atitikties deklaracija

Tik Europos šalims

EB atitikties deklaracija yra pridėdama kaip šio instrukcijų vadovo A priedas.

SAUGOS ĮSPĖJIMAI

Bendrieji įspėjimai dirbant elektriniais įrankiais

ĮSPĖJIMAS: Perskaitykite visus saugos įspėjimus, instrukcijas, iliustracijas ir techninius duomenis, pateiktus kartu su šiuo elektriniu įrankiu. Nesilaikant visų toliau išvardytų instrukcijų galima patirti elektros smūgį, gali kilti gaisras ir (arba) galima sunkiai susižaloti.

Išsaugokite visus įspėjimus ir instrukcijas, kad galėtumėte jas peržiūrėti ateityje.

Terminas „elektrinis įrankis“ pateiktuose įspėjimuose reiškia į maitinimo tinklą jungiamą (laidinį) elektrinį įrankį arba akumuliatoriaus maitinamą (belaidį) elektrinį įrankį.

Saugos įspėjimai dėl belaidžio kaltuvo naudojimo

1. **Elkitės taip, tarsi įrankyje visada būtų tvirtinimo elementų.** Neatsargus darbas su kaltuvu gali baigtis netikėtu segtukų iššovimu ir kūno sužalojimais.
2. **Nenukreipkite įrankio į save ar kitus šalia esančius žmones.** Netikėtai paspaudus gaiduką, bus iššautas tvirtinimo elementas, o tai gali sukelti sužalojimą.
3. **Įrankį įjunkite tik tada, kai jis gerai prispaustas prie ruošinio.** Jei įrankis noliečia ruošinio, tvirtinimo elementas gali nukrypti nuo taikinio.
4. **Atjunkite įrankį nuo maitinimo šaltinio, jei jame įstrigo tvirtinimo elementų.** Jei paliksite kaltuvą įjungtą, išimant įstrigusį segtuką, kaltuvas gali netikėtai iššauti.
5. **Išimdami įstrigusį tvirtinimo elementą, būkite labai atsargūs.** Mechanizmas gali veikti slėgis, o mėginant išimti įstrigusį tvirtinimo elementą, jis gali būti iššautas didele jėga.
6. **Nenaudokite šio kaltuvo elektros kabeliams tvirtinti.** Jis neskirtas elektros kabeliams montuoti ir gali pažeisti elektros kabelių izoliaciją, todėl kelia elektros smūgio arba gaisro pavojų.

7. Visada užsidėkite apsauginius akinius, kad apsaugotumėte akis nuo dulkių arba sužalojimo tvirtinimo elementu.
- ▲**ĮSPĖJIMAS.** Darbdavys privalo užtikrinti, kad įrankio operatoriai ir kiti šalia jo darbo vietos esantys asmenys naudotų akių apsaugines priemones.
8. Rankas ir kojas laikykite kuo toliau nuo išstūmimo angos vietos.
9. Laikykitės instrukcijoje pateiktų nurodymų dėl tepimo ir priedų keitimo.
10. Prieš dėdami tvirtinimo elementus, reguliuodami, tikrindami ar prižiūrėdami, taip pat baigę darbą, būtinai išimkite akumulatoriaus kasetę.
11. Prieš dirbdami, įsitinkinkite, ar šalia nėra pašalinių asmenų. Jokiu būdu nemėginkite vienu metu kalti tvirtinimo elementus ir iš vidinės, ir iš išorinės sienos pusių. Tvirtinimo elementai gali perlsti kiaurai ir (arba) išlėkti, sukeldami didelį pavojų.
12. Dirbdami įrankiu, atkreipkite dėmesį į savo stovėseną ir pusiausvyrą. Jei naudojate įrankį aukštai, įsitinkinkite, ar apačioje nėra žmonių.
13. Jei ant tvirtinimo elementų įsukimo įrankio yra simbolis „Nenaudokite ant pastolių, kopėčių“, nenaudokite jo tokiose vietose, pvz.:
 - jei, perinant iš vienos darbo vietos į kitą, reikia naudotis pastoliais, laipteliais, kopėčiomis arba panašiomis konstrukcijomis, pvz., stogo grebėstais;
 - dėžėms uždaryti;
 - transportavimo saugos sistemoms tvirtinti, pvz., transporto priemonėse ar vagonuose.
14. Kruopščiai patikrinkite sienas, lubas, grindis, stogo dangą ir pan., kad išvengtumėte galimo elektros smūgio, dujų nuotėkio, sprogdimo ir pan., kuriuos gali sukelti kabių įkalimas į veikiančius laidus, kanalus ar dujų vamzdžius.
15. Naudokite tik šioje instrukcijoje nurodytus tvirtinimo elementus. Naudojant kitus tvirtinimo elementus, įrankis gali sugesti.
16. Nekeiskite įrankio ir naudokite jį tik kabėms kalti.
17. Nenaudokite įrankio, kai jame nėra kabių. Tai sutrumpina įrankio eksploatavimo laiką.
18. Pastebėję įrankyje ką nors blogo ar neįprasto, tučtuojau nutraukite darbą.
19. Nekalkite į medžiagas, kurias kabės gali pradurti kiaurai ir pralėkti kaip šoviniai.
20. Jokiu būdu nejunkite gaiduko ir kontaktinio elemento vienu metu, kol nesate pasirengę kalti segtukų į ruošinius. Kontaktinį elementą turi nuspausti ruošinys. Nekeiskite jo paskirties, užfiksuodami kontaktinį elementą į galinę padėtį arba nuspausdami jį ranka.
21. Nekeiskite kontaktinio elemento. Dažnai tikrinkite, ar kontaktinis elementas veikia tinkamai.
22. Visada išimkite segtukus iš įrankio, jeigu jo nenaudojate.

SAUGOKITE ŠIAS INSTRUKCIJAS.

▲**ĮSPĖJIMAS:** NELEISKITE, kad patogumas ir gaminio pažinimas (įgyjamas pakartotinai naudojant) susilpnintų griežtą saugos taisyklių, taikytinų šiam gaminiui, laikymąsi. Dėl NETINKAMO NAUDOJIMO arba saugos taisyklių, kurios pateiktos šioje instrukcijoje, nesilaikymo galima rimtai susižeisti.

Svarbios saugos instrukcijos, taikomos akumulatoriaus kasetei

1. Prieš naudodami akumulatoriaus kasetę, perskaitykite visas instrukcijas ir perspėjimus ant (1) akumulatorių įkroviklio, (2) akumulatorių ir (3) akumulatorių naudojančio gaminio.
2. Neardykite akumulatoriaus kasetės.
3. Jei įrankio darbo laikas žymiai sutrumpėjo, nedelsdami nutraukite darbą su įrankiu. Tai gali kelti perkaitimo, nudegimų ar net sprogdimo pavojų.
4. Jei elektrolitas pateko į akis, plaukite jas tyru vandeniu ir nedelsdami kreipkitės į gydytoją. Gali kilti regėjimo praradimo pavojus.
5. Neužtrępinkite akumulatoriaus kasetės:
 - (1) Nelieskite kontaktų degiomis medžiagomis.
 - (2) Venkite laikyti akumulatoriaus kasetę kartu su kitais metaliniais daiktais, pavyzdžiui, vinimis, monetomis ir pan.
 - (3) Saugokite akumulatoriaus kasetę nuo vandens ir lietaus.
 Trumpasis jungimas akumulatoriuje gali sukelti stiprią srovę, perkaitimą, galimus nudegimus ar net akumulatoriaus gedimą.
6. Nelaikykite įrankio ir akumulatoriaus kasetės vietoje, kur temperatūra gali pasiekti ar viršyti 50 °C.
7. Nedeginkite akumulatoriaus kasetės, net jei yra stipriai pažeista ar visiškai susidėvėjusi. Ugnyje akumulatoriaus kasetė gali sprogti.
8. Saugokite akumulatorių nuo kritimo ir smūgių.
9. Nenaudokite pažeisto akumulatoriaus.
10. Įdėtos ličio jonų akumuliatoriams taikomi Pavojaingų prekių teisės akto reikalavimai. Komercinis transportas, pvz., trečiųjų šalių, prekių vežimo atstovų, turi laikytis specialaus reikalavimo ant pakuočių ir ženklavimo. Norėdami paruošti siūstiną prekę, pasitarkite su pavojaingų medžiagų specialistu. Be to, laikykitės galimai išsamesnių nacionalinių reglamentų. Užklijuokite juosta arba padenkite atvirus kontaktus ir supakuokite akumulatorių taip, kad jį pakuočioje nejudėtų.
11. Vadovaukitės vietos įstatymais dėl akumulatorių išmetimo.

SAUGOKITE ŠIAS INSTRUKCIJAS.

▲**PERSPĖJIMAS:** Naudokite tik originalų „Makita“ akumulatorių. Neoriginalaus „Makita“ arba pakeisto akumulatoriaus naudojimas gali nulemti gaisrą, asmens sužalojimą ir pažeidimą. Tai taip pat panaikina „Makita“ suteikiamą „Makita“ įrankio ir įkroviklio garantiją.

Patarimai, ką daryti, kad akumuliatorius veiktų kuo ilgiau

1. Pakraukite akumulatoriaus kasetę prieš jai visiškai išsikraunant. Visuomet nustokite naudoti įrankį ir pakraukite akumulatoriaus kasetę, kai pastebite, kad įrankio galia sumažėjo.
2. Niekada nekraukite iki galo įkrautos akumulatoriaus kasetės. Perkraunant trumpėja akumulatoriaus eksploatacijos laikas.

3. Akumulatoriaus kasetę kraukite esant kambario temperatūrai 10 - 40 °C. Prieš pradėdami krauti, leiskite įkaitusiai akumulatoriaus kasetei atvėsti.

VEIKIMO APRAŠYMAS

⚠ PERSPĖJIMAS: Prieš pradėdami reguliuoti arba tikrinti įrankio veikimą, visuomet būtinai išjunkite įrankį ir išimkite akumulatoriaus kasetę.

Akumulatoriaus kasetės uždėjimas ir nuėmimas

⚠ PERSPĖJIMAS: Prieš įdėdami arba išimdami akumulatoriaus kasetę, visada išjunkite įrankį.

⚠ PERSPĖJIMAS: Įdėdami arba išimdami akumulatoriaus kasetę, tvirtai laikykite įrankį ir akumulatoriaus kasetę. Jeigu įrankį ir akumulatoriaus kasetę laikysite netvirtai, jie gali išslįsti iš jūsų rankų, todėl įrankis ir akumulatoriaus kasetė gali būti sugadinti, o naudotojas sužalotas.

- **Pav.1:** 1. Raudonas indikatorius 2. Mygtukas 3. Akumulatoriaus kasetė

Jei norite išimti akumulatoriaus kasetę, ištraukite ją iš įrankio, stumdami mygtuką, esantį kasetės priekyje.

Jei norite įdėti akumulatoriaus kasetę, sulygiuokite liežuvelį ant akumulatoriaus kasetės su grioveliu korpuso ir įstumkite jį į skirtą vietą. Įdėkite iki galo, kol spragtelėdama užsifiksuos. Jeigu matote raudoną indikatorių viršutinėje mygtuko pusėje, ji nėra visiškai užfiksuota.

⚠ PERSPĖJIMAS: Akumulatoriaus kasetę visada įkiškite iki galo, kol nebematysite raudono indikatoriaus. Priešingu atveju ji gali atsitiktinai iškristi iš įrankio, sužeisti jus arba aplinkinius.

⚠ PERSPĖJIMAS: Nekiškite akumulatoriaus kasetės jėgą. Jeigu kasetė sunkiai lenda, ją kišate netinkamai.

Akumulatoriaus apsaugos sistema

Įrankyje įrengta akumulatoriaus apsaugos sistema. Ši sistema automatiškai atjungia variklio maitinimą, kad pailgėtų akumulatoriaus naudojimo laikas.

Įrankis automatiškai išsijungs darbo metu, esant vienai iš šių įrankio ir (arba) akumulatoriaus darbo sąlygų:

Perkrautas:

įrankis naudojamas taip, kad jame neįprastai padidėja elektros srovė.

Tokiu atveju atleiskite įrankio gaiduką ir nutraukite darbą, dėl kurio kilo įrankio perkrova. Po to vėl įjunkite įrankį.

Jeigu įrankis neįsijungia, reiškia perkaito akumulatoriaus. Tokiu atveju palaukite, kol akumulatoriaus atvės, paskui vėl galite įjungti įrankį.

Žema akumulatoriaus įtampa:









Likusi akumulatoriaus galia per maža, todėl įrankis neveiks. Įjungus įrankį, variklis neveikia arba pradeda veikti, bet netrukus vėl išsijungia. Tokiu atveju išimkite akumulatorių ir jį įkraukite.

Likusios akumulatoriaus galios rodymas

Tik akumulatoriaus kasetėms su indikatoriumi

- **Pav.2:** 1. Indikatorijų lemputės 2. Tikrinimo mygtukas

Paspauskite akumulatoriaus kasetės tikrinimo mygtuką, kad būtų rodoma likusi akumulatoriaus energija. Maždaug trims sekundėms užsidegs indikatorijų lemputės.

Indikatorijų lemputės		Likusi galia
Šviečia	Nešviečia	
		75% - 100%
		50% - 75%
		25% - 50%
		0% - 25%

PASTABA: Rodmuo gali šiek tiek skirtis nuo faktinės energijos lygio – tai priklauso nuo naudojimo sąlygų ir aplinkos temperatūros.

Gaiduko fiksavimo mygtukas

⚠ PERSPĖJIMAS: Prieš montuodami akumulatoriaus kasetę įrankyje, visuomet patikrinkite, ar gaidukas tinkamai veikia ir atleistas grįžta į išjungimo padėtį „OFF“.

⚠ PERSPĖJIMAS: Kai įrankiu nedirbate, nuspauskite gaiduko fiksavimo mygtuką iš „B“ pusės, kad gaidukas užsifiksuotų į IŠJUNGIMO (OFF) padėtį.

- **Pav.3:** 1. Gaiduko fiksavimo mygtukas 2. Gaidukas

- **Pav.4**

Norint, kad gaidukas nebūtų atsitiktinai nuspaustas, įrengtas gaiduko fiksavimo mygtukas.

Norėdami patraukti gaiduką, „A“ pusėje nuspauskite gaiduko fiksavimo mygtuką.

Pabaigę darbą, visada nuspauskite gaiduko fiksavimo mygtuką iš „B“ pusės.

Segtukų kalimo gylio reguliavimas

⚠ ĮSPĖJIMAS: Prieš reguliuodami vinių kalimo gylį, būtinai įsitikinkite, kad nelaikote pirštų ant gaiduko ar kontaktinio elemento, o akumulatoriaus kasetė išimta.

Šiame kaluve galima reguliuoti kalimo gylį. Norėdami reguliuoti vinių kalimo gylį, sukite regulatorių. Kalimo gylis yra didžiausias, kai regulatorius iki galo pasukamas A kryptimi, kaip parodyta paveikslėlyje. Jis bus mažesnis, regulatorių sukant B kryptimi. Gylį galima reguliuoti ne daugiau kaip 1,5 mm.

- **Pav.5:** 1. Regulatorius

- **Pav.6:** 1. Per giliai 2. Lygiavimas 3. Nepakankamai giliai

Lempučių uždegimas

⚠ PERSPĖJIMAS: Nežiūrėkite tiesiai į šviesą arba šviesos šaltinį.

Patraukite gaiduką arba suaktyvinkite kontaktinį elementą, kad užsidegtų lempučių. Spaudžiant jungiklio gaiduką arba laikant kontaktinį elementą suaktyvintą, lempučių nepertraukiamai šviečia. Atleidus jungiklio gaiduką ir kontaktinį elementą, lempučių užgesa maždaug po 10 sekundžių.

► **Pav.7:** 1. Lempučių

PASTABA: Purvą nuo lempos objektyvo nuvalykite sausu skudurėliu. Būkite atsargūs, kad nesubraižytumėte lempos objektyvo, nes pablogės apšvietimas.

PASTABA: Net jei lempučių šviečia, kai akumuliatoriuje liko mažai galios, kaltuvas gali nebeiššauti segtukų. Tokiu atveju įkraukite akumuliatoriaus kasetę.

SURINKIMAS

⚠ PERSPĖJIMAS: Prieš atlikdami bet kokius darbus su segtukų kaltuvu, būtinai įsitikinkite, kad nelaikote pirštų ant gaiduko ar kontaktinio elemento, o akumuliatoriaus kasetę išimta.

Segtukų įdėjimas į kaltuvą

⚠ PERSPĖJIMAS: Prieš dėdami segtukus į kaltuvą, visada įsitikinkite, ar išimta akumuliatoriaus kasetė. Netikėtai iššovęs įrankis gali sužaloti ir sugadinti turta.

⚠ PERSPĖJIMAS: Negalima staigiai stumti kaltuvo dėtuves su segtukais. Netyčia išmetus segtukus, ypač jei dirbama aukštai, galimi sužalojimai.

⚠ PERSPĖJIMAS: Dėkite segtukus tinkama kryptimi. Sudėjus vinis netinkama kryptimi, kreiptuvas gali pirma laiko nusidėvėti, gali sugesti ir kitos dalys.

⚠ PERSPĖJIMAS: Nenaudokite netinkamai sujungtų segtukų. Naudokite tik šioje instrukcijoje nurodytus segtukus. Jei naudosite kitokius segtukus nei nurodyta, segtukai gali įstrigti, o kaltuvas sugesti.

1. Ištraukite akumuliatoriaus kasetę.
2. Paspauskite fiksavimo svirtelę ir paslinkite dėtuve atgal.
3. Sulygiuokite vinių galiukus su grioveliais dėtuves apačioje ir spauskite visą vinių bloką sukimo mechanizmo kreiptuvo link. (Būkite atidūs ir dėkite segtukus tinkama kryptimi.)
► **Pav.8:** 1. Segtukai 2. Dėtuve 3. Fiksavimo svirtelė 4. Sukimo mechanizmo kreiptuvas
4. Įdėję segtukus, paspauskite dėtuve atgal į vietą, kol ji spragtelės.

Jei norite ištraukti segtukus, laikykitės įdėjimo procedūros atvirkštine tvarka.

Priekio suderintuvas

⚠ PERSPĖJIMAS: Prieš montuodami priekio suderintuvą, būtinai įsitikinkite, kad nelaikote pirštų ant gaiduko ar kontaktinio elemento, o akumuliatoriaus kasetę išimta.

Kaldami segtukus į lengvai sugadinamus ruošinių paviršius, naudokite priekio suderintuvą. Norėdami sumontuoti priekio suderintuvą, uždėkite jį ant kreiptuvo dangtelio, kad priekio suderintuvo vidinė iškyša įlįstų į kreiptuvo dangtelį.

Galite laikyti priekio suderintuvą laikiklyje dėtuves gale, kad jis nepasimestų.

► **Pav.9:** 1. Įranta 2. Iškyša 3. Priekio suderintuvas 4. Laikiklis

Kablys

⚠ PERSPĖJIMAS: Nekabinkite kablio prie juosmens diržo. Kabliui netyčia pasislinkus, kaltuvas gali nukristi ir netyčia iššauti kabes bei sužaloti.

► **Pav.10**

Kablys yra patogus, kai norite trumpam pakabinti įrankį. Jį galima uždėti bet kurioje įrankio pusėje. Norėdami sumontuoti kabli, įkiškite jį į bet kurioje įrankio korpuso pusėje esantį griovelį, po to priveržkite jį varžtu. Norėdami kabli nuimti, atsukite varžtą ir nuimkite jį.

► **Pav.11:** 1. Griovelis 2. Kablys 3. Varžtas

Šešiabriaunio veržliarakčio laikymas

Nenaudojamą šešiabriaunį veržliarakčių laikykite taip, kaip parodyta paveikslėlyje, kad nepamestumėte.

► **Pav.12:** 1. Šešiakampis raktas

NAUDOJIMAS

Saugos sistemos patikra

⚠ PERSPĖJIMAS: Prieš pradėdami dirbti įsitikinkite, ar visos saugos sistemos tinkamai veikia. Nesilaikydami šių nurodymų galite sunkiai susižeisti.

► **Pav.13:** 1. Gaiduko fiksavimo mygtukas 2. Gaidukas 3. Kontaktinis elementas 4. Dėtuve

Prieš naudodami, kaip nurodyta toliau, patikrinkite saugos sistemas dėl galimų veikimo trūkčių.

1. Išimkite segtukus iš įrankio ir dėtuve palikite atidarytą.
2. Įdėkite akumuliatoriaus kasetę ir atleiskite gaiduko fiksatorių.
3. Gaiduką patraukite nepiliesdami kontaktinio elemento prie medžiagos.
4. Kontaktinį elementą prilieskite prie medžiagos tik tuomet, kai gaiduko netraukiate.

Jei įrankis veikia 3 ir 4 aprašytais atvejais, saugos

sistemos veikia netinkamai. Nedelsdami nustokite naudoti įrankį ir susisiekite su vietiniu techninės priežiūros centru.

Segtukų kalimas

▲JSPĖJIMAS: Toliau dėkite kontaktinį elementą ant medžiagos, kol segtukas nebus visiškai įkaltas. Netyčia iššovus, galimi kūno sužalojimai.

1. Atleiskite gaiduko fiksatorių.
 2. Padėkite kontaktinį elementą ant medžiagos.
 3. Norėdami įkalti segtuką, patraukite gaiduką iki galo.
 4. Kad įkaltumėte kitą segtuką, atleiskite pirštą nuo gaiduko, tada pakartokite pirmiau aprašytus 2 ir 3 žingsnius.
- **Pav.14:** 1. Gaidukas 2. Kontaktinis elementas

Taip pat galite įkalti segtukus, perkeldami įrankį kitos srities link, kai kontaktinis elementas prispaustas prie medžiagos, ir patraukdami gaiduką.

► **Pav.15**

Jei segtuko galvutė iškilusi iš ruošinio paviršiaus, kalkite segtuką tvirtai prispaudę kaltuvo galvutę prie ruošinio.

► **Pav.16**

PASTABA: Jei segtuko galvutė vis tiek lieka iškilusi iš ruošinio, nors laikote segtuko galvutę, medžiaga gali būti netinkama kaltuvui. Toliau naudojant kaltuvą ant tokios medžiagos gali sugesti kaltuvo kreiptuvus ir (arba) įstrigti segtukai.

Atjungimo mechanizmas

▲JSPĖJIMAS: Prieš dėdami segtukus į kaltuvą, būtinai įsitikinkite, kad nelaikote pirštų ant gaiduko ar kontaktinio elemento, o akumulatoriaus kasetė išimta.

Kai įrankio dėtuvėje lieka iki trijų segtukų, patraukti gaiduko nebepavyks. Įdėkite į dėtuvę naują segtukų juostelę ir vėl galėsite patraukti gaiduką.

PASTABA: Prieš iššaudami kitokio ilgio segtukus, netrukus po to, kai įsijungė atjungimo mechanizmas, į dėtuvę įdėkite naują segtukų juostelę ir iššaukite visus likusius ankstesnius segtukus į nereikalingą ruošinį.

Likusių segtukų patikrinimas

Kiek liko segtukų, galima patikrinti per stebėjimo langelį. Raudonas indikatorius juda šovimo angos link, o likusių segtukų kiekis mažėja.

► **Pav.17:** 1. Stebėjimo langelis 2. Indikatorius

Istrigusių segtukų išėmimas

▲JSPĖJIMAS: Prieš išimdami užstrigusius segtukus, visada įsitikinkite, ar išimta akumulatoriaus kasetė.

Išimkite segtukus, likusius dėtuvėje.

Šešiakampi veržliarakčiu išsukite tris varžtus, laikančius kreiptuvo dangtelį.

Išimkite sugrūstas vinis iš vinių kreipiklio griovelio, jam pasirodžius.

Kai užstrigusias vinis sunku išimti, šešiakampi veržliarakčiu atsukite dar du varžtus, laikančius viršutinį kontaktinį dangtelį. Tuomet jas ištraukite.

- **Pav.18:** 1. Sukimo mechanizmo kreiptuvo dangtelis
2. Varžtas 3. Viršutinis kontaktinis dangtelis

TECHNINĖ PRIEŽIŪRA

▲PERSPĖJIMAS: Visuomet įsitikinkite, ar įrankis yra išjungtas ir akumulatoriaus kasetė yra nuimta prieš atlikdami apžiūrą ir priežiūrą.

PASTABA: Niekada nenaudokite gazolino, benzino, tirpiklio, spirito arba panašių medžiagų. Gali atsirasti išblukimų, deformacijų arba įtrūkimų.

Kad gaminys būtų SAUGUS ir PATIKIMAS, jį taisyti, apžiūrėti ar vykdyti bet kokią kitą priežiūrą ar derinimą turi įgaliotasis kompanijos „Makita“ techninės priežiūros centras; reikia naudoti tik kompanijos „Makita“ pagamintas atsargines dalis.

PASIRENKAMI PRIEDAI

▲PERSPĖJIMAS: Šiuos papildomus priedus arba įtaisus rekomenduojama naudoti su šioje instrukcijoje nurodytu „Makita“ bendrovės įrankiu. Naudojant bet kokius kitus papildomus priedus arba įtaisus, gali kilti pavojus sužeisti žmones. Naudokite tik nurodytam tikslui skirtus papildomus priedus arba įtaisus.

Jeigu norite daugiau sužinoti apie tuos priedus, kreipkitės į artimiausią „Makita“ techninės priežiūros centrą.

- Segtukai
- Originalus „Makita“ akumulatorius ir įkroviklis
- Apsauginiai akiniai

PASTABA: Kai kurie sąraše esantys priedai gali būti pateikti įrankio pakuotėje kaip standartiniai priedai. Jie įvairiose šalyse gali skirtis.

TEHNILISED ANDMED

Mudel:	PT354D	
Needi suurus	ø0,6 mm × 15, 18, 25, 30, 35 mm	
Needisalve maht	100 tk	
Mõõtmed ilma konksuta (P × L × K)	231 mm × 80 mm × 226 mm	
Nimipinge	Alalisvool 10,8 V	
Akukassett	BL1015, BL1020B	BL1040B
Netokaal	1,8 kg	2,0 kg

- Meie pideva uuringu- ja arendusprogrammi tõttu võidakse tehnilisi andmeid muuta ilma sellest ette teatamata.
- Tehnilised andmed ja akukassett võivad riigiti erineda.
- Kaal võib erineda olenevalt lisaseadistest, kaasa arvatud akukassetist. Kergeim ja raskeim kombinatsioon EPTA-protseduuri 01/2014 kohaselt on toodud tabelis.

Kavandatud kasutus

Tööriist on ette nähtud neetide pressimiseks ehitusmaterjali, nt puitu.

Müra

Tüüpiline A-korrigeeritud müratase, määratud standardi EN60745 kohaselt:

Helirõhutase (L_{pA}): 76 dB (A)

Määramatus (K): 3 dB (A)

Töötamisel võib müratase ületada 80 dB (A).

⚠ HOIATUS: Kasutage kõrvakaitsmeid.

Vibratsioon

Vibratsioonitaseme koguväärtus vastavalt EN60745:

Vibratsiooniheide (a_n): 2,5 m/s² või vähem

Määramatus (K): 1,5 m/s²

MÄRKUS: Deklareeritud vibratsiooniheite väärtus on mõõdetud kooskõlas standardse testimismeetodiga ning seda võib kasutada ühe seadme võrdlemiseks teisega.

MÄRKUS: Deklareeritud vibratsiooniheite väärtust võib kasutada ka mürataseme esmaseks hindamiseks.

⚠ HOIATUS: Vibratsioonitase võib elektritööriista tegelikuses kasutamise ajal erineda deklareeritud väärtusest olenevalt tööriista kasutamise viisidest.

⚠ HOIATUS: Rakendage operaatori kaitsmiseks kindlasti piisavaid ohutusabinõusid, mis põhinevad hinnangulisel müratasemel tegelikus töösituatsioon (võttes arvesse tööperioodi kõiki osasid, nagu näiteks korrad, kui seade lülitatakse välja ja seade töötab tühikäigul, lisaks tööajale).

EÜ vastavusdeklaratsioon

Ainult Euroopa riikide puhul

EÜ vastavusdeklaratsioon sisaldub käesoleva juhendi Lisas A.

OHUTUSHOIATUSED

Üldised elektritööriistade ohutushoiatused

⚠ HOIATUS: Lugege läbi kõik selle elektritööriistaga kaasas olevad ohutushoiatused, juhised, joonised ja tehnilised andmed. Järgnevate juhiste eiramine võib põhjustada elektrilöögi, süttimise ja/või raske kehavigastuse.

Hoidke edaspidisteks viideteks alles kõik hoiatused ja juhtnöörid.

Hoiatuses kasutatud termini „elektritööriist“ all peetakse silmas elektriga töötavaid (juhtmega) elektritööriistu või akuga töötavaid (juhtmeta) elektritööriistu.

Juhtmeta needipüstoli ohutusjuhised

1. **Arvestage alati sellega, et tööriistas võib olla kinnitusvahendeid.** Needipüstoli ettevaatamatu käsitsemine võib põhjustada kinnitusvahendite ootamatu vallandumise ning kehavigastusi.
2. **Ärge suunake tööriista enda või kellegi lähedaiseva poole.** Ootamatu vallandumine tühjeneb kinnitaja ning põhjustab kehavigastusi.
3. **Ärge käivitage tööriista, kui see ei ole asetatud kindlalt vastu töödeldavat detaali.** Kui tööriist ei ole töödeldava detailiga kontaktis, võib kinnitaja sihtmärgist kõrvale kalduda.
4. **Juhul kui kinnitusvahend kiilib tööriistas kinni, eemaldage tööriist vooluallikast.** Kui needipüstol on sisse lülitatud, võib see kinnikiilunud kinnitusvahendi eemaldamise ajal ootamatult käivituda.
5. **Olge kinnikiilunud klambripüstoli eemaldamisel ettevaatlik.** Mehhanism võib surve all olla ning jõuliselt tühjeneda, kui üritate ummistust eemaldada.
6. **Ärge kasutage needipüstolit elektrikaablite kinnitamiseks.** See ei ole mõeldud elektrikaablite paigaldamiseks, sest võib kahjustada elektrikaablite isolatsiooni, põhjustades seeläbi elektrilöögi- või tulekahjuohtu.
7. **Kandke alati kaitseprille, et kaitsta silmi tolmu või kinnitusvahendite eest.**

⚠HOIATUS! Tööandja kohustus on nõuda, et tööriista operaatorid ja teised tööpiirkonnas viibivad isikud kannaksid silmakaitsevahendeid.

8. Hoidke käed ja jalad eemal kinnitusvahendi väljumisava piirkonnast.
9. Järgige õlitamist ja tarvikute vahetamist puudutavaid juhiseid.
10. Eemaldage akukassett alati enne kinnitusvahendite laadimist, tööriista reguleerimist, kontrollimist, hooldust või pärast töö lõpetamist.
11. Enne toimingu tegemist veenduge, et kedagi poleks läheduses. Ärge püüdke paigaldada kinnitusvahendite ühel ajal nii seinale sisse- kui ka välisküljel. Kinnitusvahendid võivad konstruktsioonist läbi tungida ja/või välja lennata, tekitades tõsise ohu.
12. Jälgige oma jalgealust toetuspinda ja hoidke tööriista töötades tasakaalu. Kõrgustes töötades veenduge, et allpool ei viibiks inimesi.
13. Ärge kunagi kasutage kinnitusvahendite paigaldustööriistu, mis on tähistatud sümboliga „Mitte kasutada tellingutel, redelitel“, teatud rakendustes, näiteks:
 - kui kinnitusvahendite paigaldamine on seotud asukoha muutmisega, mis nõuab tellingeid, treppeid, redelite või redelisarnaste konstruktsioonide, nt katuse roovlatide, kasutamist;
 - konteinerite või kastide sulgemiseks;
 - transportimisel kasutatavate turvasüsteemide paigaldamiseks, nt sõidukitel ja kaubavagnitel.
14. Kontrollige hoolikalt seinu, lagesid, põrandaid, katust ja muud sellesarnast, et vältida võimalikku elektrilööki, gaasileket, plahvatusi jne, mida võib põhjustada nimetatud konstruktsioonidesse paigaldatud voolu all olevate juhtmete, kaabliarbitike või gaasitorude tabamine klambritega.
15. Kasutage ainult kasutusjuhendis ette nähtud kinnitusvahendeid. Teistsuguste kinnitusvahendite kasutamine võib põhjustada tööriista talitlushäire.
16. Ärge muutke tööriista omavoliliselt ega püüdke seda kasutada muuks otstarbeks kui kinnitusvahendite paigaldamiseks.
17. Ärge kasutage tööriista ilma kinnitusvahenditeta. See vähendab seadme tööiga.
18. Lõpetage klambrite paigaldamine viivitamatult, kui märkate tööriista juures midagi väärat või ebaharilikku.
19. Ärge kunagi paigaldage kinnitusvahendite materjali, millest kinnitusvahend võib läbi lennata.
20. Ärge kunagi aktiveerige lüliti päästikut ja kontaktelementi samal ajal, enne kui olete töödeldavate detailide kinnitamiseks valmis. Laske töödeldaval detailil kontaktelement alla vajutada. Ärge takistage seda kunagi kontaktelementi blokeerimisega tagant või seda käega surudes.
21. Ärge kunagi muutke kontaktelementi omavoliliselt. Kontrollige sageli kontaktelementi töökorras olekut.
22. Kui tööriista ei kasutata, eemaldage sellest alati kinnitusvahendid.

HOIDKE JUHEND ALLES.

⚠HOIATUS: ÄRGE UNUSTAGE järgida toote ohutusnõudeid mugavuse või toote (korduskasutamisega saavutatud) hea tundmise tõttu. VALE KASUTUS või kasutusjuhendi ohutuseeskirjade eiramine võib põhjustada tervisekahjustusi.

Akukassetiga seotud olulised ohutusjuhised

1. Enne akukasseti kasutamist lugege (1) akulaadija, (2) akul ja (3) seadmel olevad juhtnõidid ja hoiatused läbi.
2. Ärge võtke akukassetti lahti.
3. Kui tööaeg järsult lüheneb, siis lõpetage kohe kasutamine. Edasise kasutamise tulemuseks võib olla ülekuumenemisoht, võimalikud põletused või isegi plahvatus.
4. Kui elektrolüüti satub silma, siis loputage silma puhta veega ja pöörduge koheselt arsti poole. Selline õnnetus võib põhjustada pimedaksjäämist.
5. Ärge tekitage akukassetis lühist:
 - (1) Ärge puutuge klemme elektrijuhtidega.
 - (2) Ärge hoidke akukassetti tööriistakastis koos metalliesemetega, nagu naelad, mündid jne.
 - (3) Ärge tehke akukassetti märjaks ega jätke seda vihma kätte.
- Aku lühis võib põhjustada tugevat elektri- voolu, ülekuumenemist, põletusi ning ka seadet tõsiselt kahjustada.
6. Ärge hoidke tööriista ja akukassetti kohtades, kus temperatuur võib tõusta üle 50 °C.
7. Ärge põletage akukassetti isegi siis, kui see on saanud tõsiselt vigastada või on täiesti kulunud. Akukassett võib tules plahvatada.
8. Olge ettevaatlik, ärge laske akul maha kukkuda ja vältige lööke.
9. Ärge kasutage kahjustatud akut.
10. Sisalduvatele liitium-ioonakudele võivad kohalduda ohtlike kaupade õigusaktide nõuded. Kaubanduslikul transportimisel, näiteks kolmandate poolte või transpordiettevõtete poolt, tuleb järgida pakendil ja siltidel toodud erinõudeid. Transportimiseks ettevalmistamisel on vajalik pidada nõu ohtliku materjali eksperdigaga. Samuti tuleb järgida võimalike riiklike regulatsioonide üksikasjalikumaid nõudeid. Katke teibiga või varjake avatud kontaktid ja pakendage aku selliselt, et see ei saaks pakendis liiduda.
11. Järgige kasutuskõlbmatuks muutunud aku käitlemisel kohalikke eeskirju.

HOIDKE JUHEND ALLES.

⚠ETTEVAATUST: Kasutage ainult Makita originaalakusid. Mitte Makita originaalakude või muudetud akude kasutamine võib põhjustada akude süttimise, kehavigastuse ja kahjustuse. Samuti muudab see kehtetuks Makita tööriista ja laadija Makita garantii.

Vihjeid aku maksimaalse kasutusaja tagamise kohta

1. Laadige akukassetti enne selle täielikku tühjenemist. Kui märkate, et tööriist töötab väiksema võimsusega, peatage töö ja laadige akukassetti.
2. Ärge laadige täielikult laetud akukassetti. Ülelaadimine lühendab akude kasutusiga.
3. Laadige akukassetti toatemperatuuril 10 °C - 40 °C. Enne laadimist laske kuumenenud akukassetil maha jahtuda.

FUNKTSIONAALNE KIRJELDUS

⚠ETTEVAATUST: Kandke alati hoolt selle eest, et tööriist oleks enne reguleerimist ja kontrollimist välja lülitatud ja akukassett eemaldatud.

Akukasseti paigaldamine või eemaldamine

⚠ETTEVAATUST: Lülitage tööriist alati enne akukasseti paigaldamist või eemaldamist välja.

⚠ETTEVAATUST: Akukasseti paigaldamisel või eemaldamisel tuleb tööriista ja akukasseti kindlalt paigal hoida. Kui tööriista ja akukasseti ei hoita kindlalt paigal, võivad need käest libiseda ning kahjustada tööriista ja akukasseti või põhjustada kehavigastusi.

► **Joon.1:** 1. Punane näidik 2. Nupp 3. Akukassett

Akukasseti eemaldamiseks libistage see tööriista küljest lahti, vajutades kasseti esiküljel paiknevat nuppu alla.

Akukasseti paigaldamiseks joondage akukasseti keel korpuse soonega ja libistage kassett oma kohale. Paigaldage akuadapter alati nii kaugele, et see lukustus klõpsatusega oma kohale. Kui näete nupu ülaoas punast osa, pole kassett täielikult lukustunud.

⚠ETTEVAATUST: Paigaldage akukassett alati täies ulatuses nii, et punast osa ei jääks näha. Muidu võib adapter juhuslikult tööriistast välja kukkuda ning põhjustada teile või läheduses viibivatele isikutele vigastusi.

⚠ETTEVAATUST: Ärge rakendage akukasseti paigaldamisel jõudu. Kui kassett ei lähe kergesti sisse, pole see õigesti paigaldatud.

Aku kaitsesüsteem

Tööriist on varustatud aku kaitsesüsteemiga. Süsteem lülitab mootori automaatselt välja, et pikendada aku tööiga.

Tööriist seiskub käitamise ajal automaatselt, kui tööriista ja/või aku kohta kehtivad järgmised tingimused:

Ülekoormus:

Tööriista kasutatakse viisil, mis põhjustab toitevoolu tugevuse tõusu lubatust kõrgemale.

Sellisel juhul lülitage tööriist välja ning lõpetage tööriista ülekoormuse põhjustanud tegevus. Pärast seda käivitage tööriist uuesti.

Kui tööriist ei käivitu, on aku üle kuumenenud. Sellises olukorras laske akul enne tööriista uuesti sisselülitamist jahtuda.

Madal akupinge:

Järelejäädud aku jääkmahutavus on liiga väike ja tööriist ei hakka tööle. Tööriista sisse lülitades mootor ei tööta või siis mootor töötab, kuid jääb varsti seisma. Sellises olukorras eemaldage aku ja laadige see.

Aku jääkmahutavuse näit

Ainult näidikuga akukassettidele

► **Joon.2:** 1. Märgulambid 2. Kontrollimise nupp

Akukasseti järelejäädud mahutavuse kontrollimiseks vajutage kontrollimise nuppu. Märgulambid süttivad mõneks sekundiks.

Märgulambid		Jääkmahutavus
Pöleb	Ei põle	
		75–100%
		50–75%
		25–50%
		0–25%

MÄRKUS: Näidatud mahutavus võib veidi erineda tegelikust mahutavusest olenevalt kasutustingimustest ja ümbritseva keskkonna temperatuurist.

Päästikuluku nupp

⚠ETTEVAATUST: Kontrollige alati enne akukasseti tööriista külge paigaldamist, kas lüliti päästik funktsioneerib nõuetekohaselt ja liigub lahtilaskmisel tagasi väljalülitatud asendisse.

⚠ETTEVAATUST: Kui te tööriista parajasti ei kasuta, vajutage päästikuluku nuppu B-polelt, et lukustada lüliti päästik väljalülitatud asendisse.

► **Joon.3:** 1. Päästikuluku nupp 2. Lüliti päästik

► **Joon.4**

Selleks et lüliti päästikut poleks võimalik juhuslikult vajutada, on tööriistal päästikuluku nupp. Lüliti päästiku vajutamiseks vajutage esmalt A-polelt päästikuluku nuppu. Pärast kasutamist vajutage alati päästikuluku nuppu B-polelt.

Neetimissügavuse reguleerimine

⚠HOIATUS: Enne needipüstoli neetimissügavuse reguleerimist veenduge alati, et teie sõrmed ei oleks lüliti päästikul ega kontaktelemendil ja akukassett oleks välja võetud.

Selle needipüstoli neetimissügavus on reguleeritav. Neetimissügavuse reguleerimiseks pöörake regulaatorit. Neetimissügavus on suurim, kui regulaator on täielikult pööratud joonisel näidatud suunas A. Sügavus väheneb, kui regulaatorit pööratakse suunas B. Sügavust saab reguleerida vahemikus 1,5 mm kuni maksimum.

► **Joon.5:** 1. Regulaator

► **Joon.6:** 1. Liiga sügav 2. Ühetasane 3. Liiga madal

Lambi süütamine

⚠ETTEVAATUST: Ärge vaadake otse valgusse ega valgusalikikat.

Vajutage lüliti päästikut või käivitage kontaktelement lambi süütamiseks. Lamp jääb põlema, kuni vajutatakse lüliti päästikut või on käivitatud kontaktelement. Lamp kustub umbes 10 sekundit pärast lüliti päästiku või kontaktelemendi vabastamist.

► **Joon.7:** 1. Lamp

MÄRKUS: Pühkige lamp kuiva lapiga puhtaks. Olge seda tehes ettevaatlik, et lambi läätte mitte kriimustada, sest muidu võib valgustus väheneda.

MÄRKUS: Isegi kui akus on piisavalt toidet lambi põlema panemiseks, ei pruugi needipüstol neete väljastada. Sel juhul laadige akukassetti.

KOKKUPANEK

⚠ETTEVAATUST: Enne needipüstolil mingi töö tegemist veenduge alati, et teie sõrmed ei oleks lüliti päästikul ega kontaktelemendil ja akukassett oleks välja võetud.

Needipüstoli laadimine

⚠ETTEVAATUST: Enne needipüstoli laadimist veenduge, et akukassett oleks eemaldatud. Kogemata laskmine võib põhjustada kehavigastusi ja kahjustada vara.

⚠ETTEVAATUST: Ärge lükake järsult needipüstoli salve, mis on neete täis. Neetide ootamatu mahakukkumine, eriti kui töötate kõrgel, võib tekitada kehavigastusi.

⚠ETTEVAATUST: Laadige needid õiget pidi. Vales suunas laadimine võib põhjustada käituri enneaegset kulumist ja murdumist ning kahjustada teisi osi.

⚠ETTEVAATUST: Ärge kasutage väändunud ega liitunud neete. Kasutage ainult selles kasutusjuhendis kirjeldatud neete. Muude neetide kasutamine võib põhjustada kinnikiilumist ja needipüstoli purunemist.

1. Eemaldage akukassett.
2. Vajutage lukustushooba ja lükake salve tahapoole.
3. Joondage neediotsad salve põhjas asuvate soontega ning lükake kogu neediosa käituri juhiku poole. (Veenduge, et paneksite needid õiget pidi.)
► **Joon.8:** 1. Needid 2. Salv 3. Lukustushoob 4. Käituri juhik
4. Pärast neetide laadimist suruge salve tagasi kohale, kuni see kinnitub klõpsatusega kohale.

Neetide eemaldamiseks järgige paigaldamisprotseidure vastupidises järjekorras.

Otsaku adapter

⚠ETTEVAATUST: Enne otsaku adapteri paigaldamist veenduge, et teie sõrmed ei oleks lüliti päästikul ega kontaktelemendil ja akukassett oleks välja võetud.

Kasutage otsaku adapterit, kui tulistate neete materjali, mis kinnitatakse kergesti rikutavale pinnale. Otsaku adapteri paigaldamiseks asetage see käituri juhiku kattele nii, et otsaku adapteri sees olev eend sobituks käituri juhiku katte süvendisse.

Otsaku adapteri kadumise ärahoidmiseks hoidke seda hoidikus salve tagaosas.

► **Joon.9:** 1. Süvend 2. Eend 3. Otsaku adapter 4. Hoidik

Konks

⚠ETTEVAATUST: Ärge riputage konksu võõle. Needipüstoli pillamine konksu juhusliku kohalt liikumise tõttu võib põhjustada kogemata tulistamist ja kehavigastusi.

► **Joon.10**

Konksu abil saate tööriista ajutiselt kuhugi riputada. Selle võib paigaldada tööriista ükskõik kummale küljele. Konksu paigaldamiseks torgake see tööriista korpuse ükskõik kummal küljel olevasse õnarusse ja kinnitage kruviga. Eemaldamiseks lõdvendage kruvi ja võtke see siis välja.

► **Joon.11:** 1. Soon 2. Konks 3. Kruvi

Kuuskantvõtme hoidmine

Kui kuuskantvõtit ei kasutata, hoidke seda kaotamise vältimiseks joonisel näidatud viisil.

► **Joon.12:** 1. Kuuskantvõti

TÖÖRIISTA KASUTAMINE

Ohutussüsteemi testimine

⚠HOIATUS: Enne tööleasumist veenduge, et kõik ohutussüsteemid oleks töökorras. Selle eiramisel võivad tagajärjeks olla kehavigastused.

► **Joon.13:** 1. Päästikuluk nupp 2. Lüliti päästik 3. Kontaktelement 4. Salv

Kontrollige ohutussüsteeme enne töötamist võimaliku tõrke suhtes, toimides järgmiselt.

1. Tühjendage tööriist neetidest ja hoidke salve avatuna.
2. Paigaldage akukassett ja vabastage päästikuluk.
3. Tõmmake ainult lüliti päästikut, puudutamata kontaktelementiga vastu materjali.
4. Kontaktelemendi võite asetada vastu materjali ainult ilma lüliti päästikut vajutamata.

Kui eelkirjeldatud 3. ja 4. juhtumi korral tööriist käivitub, on ohutussüsteem rikkis. Lõpetage kohe tööriista kasutamine ja pöörduge kohaliku hoolduskeskuse poole.

Neetide väljastamine

⚠ HOIATUS: Hoidke kontaktelementi tugevalt vastu materjali, kuni neet on täielikult sisse löödud. Kogemata tulistamine võib põhjustada kehavigastusi.

1. Vabastage päästikuluk.
 2. Asetage kontaktelement vastu töödeldavat detaili.
 3. Neetide lõpuni sisselöömiseks vajutage lüliti päästikut lõpuni alla.
 4. Järgmise needi tulistamiseks eemaldage sõrm korraks lüliti päästikut ja korrake seejärel ülalpool toodud samme 2 ja 3.
- **Joon.14:** 1. Lüliti päästik 2. Kontaktelement

Neete saate tulistada ka nii, et lohistate tööriista vastu materjali surutud kontaktelemendiga järgmise piirkonda ja vajutate lüliti päästikut.

► **Joon.15**

Kui needipea jääb töödeldava detaili peale, jätkake needi sisselöömist, hoides needipüstoli pead tugevalt vastu töödeldavat detaili.

► **Joon.16**

MÄRKUS: Kui needipea jääb töödeldava detaili peale ka siis, kui hoiate needipead, ei pruugi materjal olla needipüstoli jaoks sobiv. Sellisel materjalil needipüstoliga edasi töötamine võib kahjustada needipüstoli käiturit ja/või põhjustada needipüstoli kinnikiilumist.

Tühilasuvastane mehhanism

⚠ HOIATUS: Enne needipüstoli laadimist veenduge alati, et teie sõrmed ei oleks lüliti päästikul ega kontaktelemendil ja akukassett oleks välja võetud.

Kui salves on järel 0–3 neeti, ei saa enam lüliti päästikut vajutada. Sel juhul pange salve uus neediilint ja saate jälle lüliti päästikut vajutada.

MÄRKUS: Kui tühilasu vastane mehhanism on valandunud ja te tulistate varsti pärast seda erineva pikusega neete, pange salve uus neediilint ja tulistage kõik varem salve jäänud needid prügimaterjali.

Järelejäänud neetide kontrollimine

Järelejäänud neetide arvu saate kontrollida läbi kontrollakna.

Punane näidik liigub kinnitusava suunas, kui neetide arv salves väheneb.

► **Joon.17:** 1. Vaateaken 2. Näidik

Kinnikiilunud neetide eemaldamine

⚠ HOIATUS: Enne kinnikiilunud neetide eemaldamist veenduge alati, et akukassett oleks eemaldatud.

Võtke salve jäänud needid välja.

Eemaldage kolm käituri juhikut hoidvat kruvi kuuskantvõtmega.

Võtke kinnijäänud needid välja needijuhiku soonest, mis on nähtavale ilmunud.

Kui kinnijäänud neete on raske välja võtta, eemaldage kuuskantvõtmega lisaks kaks kruvi, mis hoiavad kontakti ülemist katet. Võtke need välja.

► **Joon.18:** 1. Käituri juhiku kate 2. Kruvi 3. Kontakti ülemine kate

HOOLDUS

⚠ ETTEVAATUST: Enne kontroll- või hooldustoimingute tegemist kandke alati hoolt selle eest, et tööriist oleks välja lülitatud ja akukassett korpuse küljest eemaldatud.

TÄHELEPANU: Ärge kunagi kasutage bensiini, vedeldit, alkoholi ega midagi muud sarnast. Selle tulemuseks võib olla luitumine, deformatsioon või pragunemine.

Toote OHUTUSE ja TÕÕKINDLUSE tagamiseks tuleb vajalikud remonttööd ning muud hooldus- ja reguleerimistööd lasta teha Makita volitatud teeninduskeskustes või tehase teeninduskeskustes. Alati tuleb kasutada Makita varuosi.

VALIKULISED TARVIKUD

⚠ ETTEVAATUST: Neid tarvikuid ja lisaseadiseid on soovitatav kasutada koos Makita tööriistaga, mille kasutamist selles kasutusjuhendis kirjeldatakse. Muude tarvikute ja lisaseadiste kasutamisega kaasneb vigastada saamise oht. Kasutage tarvikuid ja lisaseadiseid ainult otstarbekohaselt.

Saate vajaduse korral kohalikust Makita teeninduskeskusest lisateavet nende tarvikute kohta.

- Needid
- Makita algupärane aku ja laadija
- Kaitseprillid

MÄRKUS: Mõned nimekirjas loetletud tarvikud võivad kuuluda standardvarustusse ning need on lisatud tööriista pakendisse. Need võivad riigiti erineda.

ТЕХНИЧЕСКИЕ ХАРАКТЕРИСТИКИ

Модель:	PT354D	
Размер штыревого гвоздя	ø0,6 мм x 15, 18, 25, 30, 35 мм	
Емкость магазина для штыревых гвоздей	100 шт.	
Размеры без крюка (Д x Ш x В)	231 мм x 80 мм x 226 мм	
Номинальное напряжение	10,8 В пост. тока	
Блок аккумулятора	BL1015, BL1020B	BL1040B
Масса нетто	1,8 кг	2,0 кг

- Благодаря нашей постоянно действующей программе исследований и разработок указанные здесь технические характеристики могут быть изменены без предварительного уведомления.
- Технические характеристики и аккумуляторный блок могут отличаться в зависимости от страны.
- Масса может отличаться в зависимости от дополнительного оборудования. Обратите внимание, что блок аккумулятора также считается дополнительным оборудованием. В таблице представлены комбинации с наибольшим и наименьшим весом в соответствии с процедурой EPTA 01/2014.

Назначение

Данный инструмент предназначен для вбивания штыревых гвоздей в строительные материалы, например дерево.

Шум

Типичный уровень взвешенного звукового давления (A), измеренный в соответствии с EN60745:
Уровень звукового давления (L_{pA}): 76 дБ (A)
Погрешность (K): 3 дБ (A)

Уровень шума при выполнении работ может превышать 80 дБ (A).

⚠ ОСТОРОЖНО: Используйте средства защиты слуха.

Вибрация

Общее значение вибрации определено в соответствии с EN60745:
Распространение вибрации (a_h): 2,5 м/с² или менее
Погрешность (K): 1,5 м/с²

ПРИМЕЧАНИЕ: Заявленное значение распространения вибрации измерено в соответствии со стандартной методикой испытаний и может быть использовано для сравнения инструментов.

ПРИМЕЧАНИЕ: Заявленное значение распространения вибрации можно также использовать для предварительных оценок воздействия.

⚠ ОСТОРОЖНО: Распространение вибрации во время фактического использования электроинструмента может отличаться от заявленного значения в зависимости от способа применения инструмента.

⚠ ОСТОРОЖНО: Обязательно определите меры безопасности для защиты оператора, основанные на оценке воздействия в реальных условиях использования (с учетом всех этапов рабочего цикла, таких как выключение инструмента, работа без нагрузки и включение).

Декларация о соответствии ЕС

Только для европейских стран

Декларация о соответствии ЕС включена в руководство по эксплуатации (Приложение А).

МЕРЫ БЕЗОПАСНОСТИ

Общие рекомендации по технике безопасности для электроинструментов

⚠ ОСТОРОЖНО: Ознакомьтесь со всеми представленными инструкциями по технике безопасности, указаниями, иллюстрациями и техническими характеристиками, прилагаемыми к данному электроинструменту. Несоблюдение каких-либо инструкций, указанных ниже, может привести к поражению электрическим током, пожару и/или серьезной травме.

Сохраните брошюру с инструкциями и рекомендациями для дальнейшего использования.

Термин "электрический инструмент" в предупреждениях относится ко всему инструменту, работающему от сети (с проводом) или на аккумуляторах (без провода).

Правила техники безопасности при эксплуатации аккумуляторного гвоздезабивного пистолета

1. **Всегда предполагайте, что в инструмент заряжен крепеж.** Небрежное обращение со гвоздезабивным пистолетом может стать причиной внезапного выстрела крепежом и получения травмы.
2. **Не направляйте инструмент на себя или окружающих.** Случайное нажатие на триггерный переключатель приведет к выбросу крепежа и травме.
3. **Не нажимайте на переключатель, пока плотно не прижмете инструмент к обрабатываемой детали.** Если инструмент не соприкасается с обрабатываемой деталью, крепеж может уйти в сторону.
4. **При заклинивании крепежа отключите инструмент от источника питания.** В противном случае гвоздезабивной пистолет может случайно сработать во время извлечения крепежа.
5. **Соблюдайте осторожность при извлечении заклинившего крепежа.** Механизм может находиться под давлением, и при попытке извлечь заклинивший крепеж инструмент может сработать.
6. **Не используйте этот гвоздезабивной пистолет для закрепления электрических кабелей.** Он не предназначен для прокладки электрокабелей и может повредить их изоляцию, таким образом создавая опасность поражения электрическим током или возгорания.
7. **Для защиты глаз от пыли и попадания крепежных деталей всегда пользуйтесь защитными очками.**
▲ОСТОРОЖНО: Ответственность за использование средств защиты операторами и другим персоналом вблизи рабочей зоны возлагается на работодателя.
8. **Не направляйте выходное отверстие на руки или ноги.**
9. **Следуйте инструкциям по смазке и замене принадлежностей.**
10. **Обязательно снимайте блок аккумулятора перед зарядкой крепежа, регулировкой, проверкой, техническим обслуживанием или после выполнения работ.**
11. **Перед началом работ убедитесь, что рядом нет людей.** Запрещено вбивать крепеж одновременно с внутренней и внешней стороны стенки. Крепеж может пройти сквозь деталь и/или отлететь, представляя смертельную опасность.
12. **Работая с инструментом, всегда следите за тем, чтобы ваше положение было устойчиво.** При использовании инструмента на высоте убедитесь в отсутствии людей внизу.
13. **Запрещается использовать инструменты для установки крепежа, отмеченные символом с надписью "Не использовать на лесах и лестницах", в следующих ситуациях:**
 - если для перехода с одного места проведения работ к другому требуется воспользоваться лесами, лестницами, стрелками и им подобными конструкциями, например обрешеткой крыши;
 - при закрытии коробок и ящиков;
 - для установки систем защиты на транспортных средствах, например автомобилях или автофургонах.
14. **Тщательно проверьте стены, потолок, полы, кровлю и т. д., чтобы не допустить поражения электрическим током, утечки газа, взрыва и т. д. вследствие прокалывания проводов, трубопроводов и газовых труб.**
15. **Используйте только тот крепеж, который указан в настоящем руководстве.** Использование другого крепежа может привести к поломке инструмента.
16. **Не меняйте конструкцию инструмента и не используйте его для каких-либо иных целей, кроме установки крепежа.**
17. **Не пользуйтесь инструментом без крепежа.** Это ведет к сокращению срока службы инструмента.
18. **Если заметите какие-либо неполадки в инструменте, немедленно прекратите работу.**
19. **Запрещается вбивать крепеж в материал, который он может пробить и пролететь насквозь.**
20. **Никогда одновременно не нажимайте на триггерный переключатель и не активируйте контактный элемент, пока не будете готовы приступить к работе.** Используйте инструмент так, чтобы нажатие контактного элемента осуществлялось об обрабатываемую деталь. Никогда не блокируйте контактный элемент в заднем положении и не нажимайте на него рукой.
21. **Запрещено изменять конструкцию контактного элемента.** Чтобы обеспечить надлежащую работоспособность инструмента, регулярно проверяйте контактный элемент.
22. **Если инструмент не используется, обязательно извлеките из него крепеж.**

СОХРАНИТЕ ДАННЫЕ ИНСТРУКЦИИ.

▲ОСТОРОЖНО: НЕ ДОПУСКАЙТЕ, чтобы удобство или опыт эксплуатации данного устройства (полученный от многократного использования) доминировали над строгим соблюдением правил техники безопасности при обращении с этим устройством. **НЕПРАВИЛЬНОЕ ИСПОЛЬЗОВАНИЕ** инструмента или несоблюдение правил техники безопасности, указанных в данном руководстве, может привести к тяжелой травме.

Важные правила техники безопасности для работы с аккумуляторным блоком

1. Перед использованием аккумуляторного блока прочитайте все инструкции и предупредительные надписи на (1) зарядном устройстве, (2) аккумуляторном блоке и (3) инструменте, работающем от аккумуляторного блока.
2. Не разбирайте аккумуляторный блок.
3. Если время работы аккумуляторного блока значительно сократилось, немедленно прекратите работу. В противном случае, может возникнуть перегрев блока, что приведет к ожогам и даже к взрыву.
4. В случае попадания электролита в глаза промойте их обильным количеством чистой воды и немедленно обратитесь к врачу. Это может привести к потере зрения.
5. Не замыкайте контакты аккумуляторного блока между собой:
 - (1) Не прикасайтесь к контактам какими-либо токопроводящими предметами.
 - (2) Не храните аккумуляторный блок в контейнере вместе с другими металлическими предметами, такими как гвозди, монеты и т. п.
 - (3) Не допускайте попадания на аккумуляторный блок воды или дождя.Замыкание контактов аккумуляторного блока между собой может привести к возникновению большого тока, перегреву, возможному ожогу и даже поломке блока.
6. Не храните инструмент и аккумуляторный блок в местах, где температура может достигать или превышать 50 °C (122 °F).
7. Не бросайте аккумуляторный блок в огонь, даже если он сильно поврежден или полностью вышел из строя. Аккумуляторный блок может взорваться под действием огня.
8. Не роняйте и не ударяйте аккумуляторный блок.
9. Не используйте поврежденный аккумуляторный блок.

10. Входящие в комплект литий-ионные аккумуляторы должны эксплуатироваться в соответствии с требованиями законодательства об опасных товарах.
При коммерческой транспортировке, например, третьей стороной или экспедитором, необходимо нанести на упаковку специальные предупреждения и маркировку.
В процессе подготовки устройства к отправке обязательно проконсультируйтесь со специалистом по опасным материалам. Также соблюдайте местные требования и нормы. Они могут быть строже.
Закройте или закрепите разомкнутые контакты и упакуйте аккумулятор так, чтобы он не перемещался по упаковке.
11. Выполняйте требования местного законодательства относительно утилизации аккумуляторного блока.

СОХРАНИТЕ ДАННЫЕ ИНСТРУКЦИИ.

▲ВНИМАНИЕ: Используйте только фирменные аккумуляторные батареи Makita. Использование аккумуляторных батарей, не произведенных Makita, или батарей, которые были подвергнуты модификациям, может привести к взрыву аккумулятора, пожару, травмам и повреждению имущества. Это также автоматически аннулирует гарантию Makita на инструмент и зарядное устройство Makita.

Советы по обеспечению максимального срока службы аккумулятора

1. Заряжайте блок аккумуляторов перед его полной разрядкой. Обязательно прекратите работу с инструментом и зарядите блок аккумуляторов, если вы заметили снижение мощности инструмента.
2. Никогда не подзаряжайте полностью заряженный блок аккумуляторов. Перезарядка сокращает срок службы аккумулятора.
3. Заряжайте блок аккумуляторов при комнатной температуре в 10 - 40 °C (50 - 104 °F). Перед зарядкой горячего блока аккумуляторов дайте ему остыть.

ОПИСАНИЕ РАБОТЫ

⚠ ВНИМАНИЕ: Перед регулировкой или проверкой функций инструмента обязательно убедитесь, что он выключен и его аккумуляторный блок снят.

Установка или снятие блока аккумулятора

⚠ ВНИМАНИЕ: Обязательно выключайте инструмент перед установкой и извлечением аккумуляторного блока.

⚠ ВНИМАНИЕ: При установке и извлечении аккумуляторного блока крепко удерживайте инструмент и аккумуляторный блок. Если не соблюдать это требование, они могут выскользнуть из рук, что приведет к повреждению инструмента, аккумуляторного блока и травмированию оператора.

► **Рис.1:** 1. Красный индикатор 2. Кнопка 3. Блок аккумулятора

Для снятия аккумуляторного блока нажмите кнопку на лицевой стороне и извлеките блок.

Для установки аккумуляторного блока совместите выступ аккумуляторного блока с пазом в корпусе и задвиньте его на место. Устанавливайте блок до упора так, чтобы он зафиксировался на месте с небольшим щелчком. Если вы можете видеть красный индикатор на верхней части клавиши, адаптер аккумулятора не полностью установлен на месте.

⚠ ВНИМАНИЕ: Обязательно устанавливайте аккумуляторный блок до конца, чтобы красный индикатор не был виден. В противном случае аккумуляторный блок может выпасть из инструмента и нанести травму вам или другим людям.

⚠ ВНИМАНИЕ: Не прилагайте чрезмерных усилий при установке аккумуляторного блока. Если блок не двигается свободно, значит он вставлен неправильно.

Система защиты аккумулятора

На инструменте предусмотрена система защиты аккумулятора. Она автоматически отключает питание двигателя для продления срока службы аккумулятора.

Инструмент автоматически остановится во время работы при возникновении указанных ниже ситуаций.

Перегрузка:

Из-за способа эксплуатации инструмент потребляет очень большое количество тока.

В этом случае выключите инструмент и прекратите работу, повлекшую перегрузку инструмента. Затем включите инструмент для перезапуска.

Если инструмент не включается, значит перегрелся аккумуляторный блок. В этом случае дайте аккумулятору остыть перед повторным включением инструмента.

Низкое напряжение аккумуляторной батареи:





Уровень оставшейся емкости аккумулятора слишком низкий, и инструмент не работает. При включении инструмента электродвигатель не запускается или запускается и вскоре останавливается. В этом случае снимите и зарядите аккумулятор.

Индикация оставшегося заряда аккумулятора

Только для блоков аккумулятора с индикатором

► **Рис.2:** 1. Индикаторы 2. Кнопка проверки

Нажмите кнопку проверки на аккумуляторном блоке для проверки заряда. Индикаторы загорятся на несколько секунд.

Индикаторы		Уровень заряда
Горит	Выкл.	
		от 75 до 100%
		от 50 до 75%
		от 25 до 50%
		от 0 до 25%

ПРИМЕЧАНИЕ: В зависимости от условий эксплуатации и температуры окружающего воздуха индикация может незначительно отличаться от фактического значения.

Кнопка блокировки триггерного переключателя

⚠ ВНИМАНИЕ: Перед установкой аккумуляторного блока в инструмент обязательно убедитесь, что его триггерный переключатель нормально работает и возвращается в положение "OFF" (ВЫКЛ) при отпускании.

⚠ ВНИМАНИЕ: Если инструмент не используется, нажмите на кнопку блокировки триггерного переключателя со стороны В для его блокирования в положении OFF (ВЫКЛ).

► **Рис.3:** 1. Кнопка блокировки триггерного переключателя 2. Триггерный переключатель

► **Рис.4**

Для предотвращения случайного нажатия на триггерный переключатель он оборудован кнопкой блокировки.

Чтобы активировать триггерный переключатель, нажмите на кнопку блокировки со стороны А. После использования всегда нажимайте на кнопку блокировки триггерного переключателя со стороны В.

Регулировка глубины забивания крепежа

⚠ОСТОРОЖНО: Прежде чем регулировать глубину забивания крепежа, всегда проверяйте, чтобы пальцы не находились на триггерном переключателе или на контактном элементе, а также чтобы блок аккумулятора был извлечен.

Этот гвоздезабивной пистолет позволяет регулировать глубину забивания штыревых гвоздей. Для настройки глубины забивания гвоздей поверните регулятор. Глубина забивания гвоздей наибольшая, когда регулятор полностью повернут в направлении А, как показано на рисунке. Повернув регулятор в направлении В, можно уменьшить глубину забивания. Глубину можно регулировать от 1,5 мм до максимума.

► **Рис.5:** 1. Регулятор

► **Рис.6:** 1. Чрезмерная глубина 2. Нормальная глубина 3. Недостаточная глубина

Включение лампы

⚠ВНИМАНИЕ: Не смотрите непосредственно на свет или источник света.

Нажмите на триггерный переключатель или активируйте контактный элемент, чтобы включить лампу. Лампа будет гореть, пока нажат триггерный переключатель или активен контактный элемент. Лампа гаснет примерно через 10 секунд после отпускания триггерного переключателя или деактивации контактного элемента.

► **Рис.7:** 1. Лампа

ПРИМЕЧАНИЕ: Для удаления пыли с линзы лампы используйте сухую ткань. Не допускайте возникновения царапин на линзе лампы, так как это приведет к снижению освещенности.

ПРИМЕЧАНИЕ: При малом остаточном заряде аккумулятора возможно, что гвоздезабивной пистолет не будет забивать штыревые гвозди даже в том случае, если горит лампа. В этом случае зарядите блок аккумулятора.

СБОРКА

⚠ВНИМАНИЕ: Прежде чем выполнять какие-либо работы с гвоздезабивным пистолетом, всегда проверяйте, чтобы пальцы не находились на триггерном переключателе или на контактном элементе, а также чтобы блок аккумулятора был извлечен.

Зарядка гвоздезабивного пистолета

⚠ВНИМАНИЕ: Перед зарядкой гвоздезабивного пистолета обязательно извлеките блок аккумулятора. Случайное срабатывание инструмента может стать причиной получения травм и повреждения имущества.

⚠ВНИМАНИЕ: Не допускайте резкого скольжения магазина гвоздезабивного пистолета, заряженного штыревыми гвоздями. Случайное выпадение штыревых гвоздей, особенно при работе на высоте, может привести к травмам.

⚠ВНИМАНИЕ: Заряжайте штыревые гвозди в правильном направлении. Зарядка гвоздей в неправильном направлении может привести к преждевременному износу воротка и повреждению других частей.

⚠ВНИМАНИЕ: Не используйте деформированные штыревые гвозди. Используйте только те штыревые гвозди, которые указаны в настоящем руководстве. Использование штыревых гвоздей, отличных от тех, которые указаны в руководстве, может привести к заклиниванию штыревого гвоздя и повреждению гвоздезабивного пистолета.

1. Снимите блок аккумуляторной батареи.
 2. Нажмите на стопорный рычаг и сдвиньте магазин назад.
 3. Совместите кончики штыревых гвоздей с пазами в нижней части магазина и задвиньте блок штыревых гвоздей в сторону направляющей воротка. (Следите за тем, чтобы штыревые гвозди были расположены в правильном направлении.)
- **Рис.8:** 1. Штыревые гвозди 2. Магазин
3. Стопорный рычаг 4. Направляющая воротка
4. После загрузки штыревых гвоздей сдвиньте магазин на место до щелчка.

Для извлечения штыревых гвоздей выполните процедуру установки в обратном порядке.

Адаптер головки

⚠ВНИМАНИЕ: Прежде чем устанавливать адаптер головки, всегда проверяйте, чтобы пальцы не находились на триггерном переключателе или на контактном элементе, а также чтобы блок аккумулятора был извлечен.

При забивании штыревых гвоздей в обрабатываемый материал с легкоповреждаемой поверхностью используйте адаптер головки. Для установки адаптера головки поместите его на крышку направляющей воротка таким образом, чтобы адаптер плотно прилегал к выемке в крышке направляющей воротка.

Адаптер головки можно хранить в держателе в задней части магазина, чтобы не потерять его.

► **Рис.9:** 1. Выемка 2. Выступ 3. Адаптер головки 4. Держатель

Крючок

⚠ ВНИМАНИЕ: Не цепляйте крючок на пояс-ной ремень. Падение гвоздезабивного пистолета в случае внезапного отсоединения крючка может стать причиной случайного срабатывания и нанесения травм.

► Рис.10

Крючок удобен для временного подвешивания инструмента. Он может быть установлен с любой стороны инструмента. Для установки крючка вставьте его в паз в корпусе инструмента с одной из сторон и закрепите при помощи винта. Чтобы снять крючок, необходимо сначала отвернуть винт.

► Рис.11: 1. Паз 2. Крючок 3. Винт

Хранение шестигранного ключа

Когда шестигранный ключ не используется, храните его, как показано на рисунке, чтобы не потерять.

► Рис.12: 1. Шестигранный ключ

ЭКСПЛУАТАЦИЯ

Проверка системы защиты

⚠ ОСТОРОЖНО: Перед началом эксплуатации проверьте исправность всех систем защиты. Несоблюдение этого требования может стать причиной травмы.

► Рис.13: 1. Кнопка блокировки триггерного переключателя 2. Триггерный переключатель 3. Контактный элемент 4. Магазин

Прежде чем приступить к работе, проверьте исправность систем защиты следующим образом.

1. Извлеките штыревые гвозди из инструмента и оставьте магазин открытым.
2. Установите блок аккумулятора и отключите блокировку триггерного переключателя.
3. Потяните триггерный переключатель, убедитесь, что контактный элемент не соприкасается с материалом.
4. Если контактный элемент соприкасается с материалом, не нажимайте на триггерный переключатель.

Если инструмент срабатывает при соблюдении условий 3 и 4, описанных выше, системы защиты неисправны. Немедленно прекратите эксплуатацию инструмента и обратитесь в местный сервисный центр.

Забивание штыревых гвоздей

⚠ ОСТОРОЖНО: Удерживайте контактный элемент на материале до полной установки штыревого гвоздя. Случайное срабатывание может привести к травмам.

1. Отключение блокировки триггерного переключателя.
2. Ровно разместите контактный элемент на поверхности материала.
3. Нажмите на триггерный переключатель до упора, чтобы забить штыревой гвоздь.
4. Чтобы забить следующий штыревой гвоздь, однократно уберите палец с триггерного переключателя, а затем повторите шаги 2 и 3, указанные выше.

► Рис.14: 1. Триггерный переключатель
2. Контактный элемент

Также штыревые гвозди можно забивать, перетаскивая инструмент на ближайшую область, при этом необходимо прижимать контактный элемент к материалу и нажать на триггерный переключатель.

► Рис.15

Если верх штыревого гвоздя остался над поверхностью материала, забейте штыревой гвоздь, крепко удерживая головку гвоздезабивного пистолета на обрабатываемом предмете.

► Рис.16

ПРИМЕЧАНИЕ: Если головка штыревого гвоздя все еще находится над поверхностью материала, даже если вы удерживаете головку, материал может не подходить для гвоздезабивного пистолета. Использование гвоздезабивного пистолета на таком материале может привести к повреждению воротка пистолета и/или к заклиниванию пистолета.

Механизм предотвращения "холостого выстрела"

⚠ ОСТОРОЖНО: Прежде чем заряжать гвоздезабивной пистолет, всегда проверяйте, чтобы пальцы не находились на триггерном переключателе или на контактном элементе, а также чтобы блок аккумулятора был извлечен.

Когда в магазине остается 0—3 штыревых гвоздя, триггерный переключатель не нажимается. В этом случае вставьте в магазин новую полосу со штыревыми гвоздями — после этого триггерный переключатель будет разблокирован.

ПРИМЕЧАНИЕ: При переходе на штыревые гвозди другой длины сразу после того, как срабатывает устройство защиты от "холостого выстрела", вставьте новую полосу со штыревыми гвоздями в магазин и выстрелите оставшиеся штыревые гвозди в ненужный материал.

Проверка оставшихся штыревых гвоздей

Количество оставшихся штыревых гвоздей можно проверить с помощью смотрового окна.

Чем меньше становится количество оставшихся штыревых гвоздей, тем ближе красный индикатор перемещается к отверстию для крепления.

► **Рис.17:** 1. Смотровое окно 2. Индикатор

Извлечение застрявших штыревых гвоздей

⚠ ОСТОРОЖНО: Перед удалением застрявших штыревых гвоздей обязательно извлеките блок аккумулятора.

Извлеките штыревые гвозди, оставшиеся в магазине.

С помощью шестигранного ключа выверните три винта крепления крышки направляющей воротка. Извлеките застрявшие гвозди из паза для подачи гвоздей.

Если извлечь застрявшие гвозди не представляется возможным, с помощью шестигранного ключа выверните два винта крепления крышки контактов еще больше. Затем извлеките их.

► **Рис.18:** 1. Крышка направляющей воротка
2. Винт 3. Крышка контактов

ОБСЛУЖИВАНИЕ

⚠ ВНИМАНИЕ: Перед проведением проверки или работ по техобслуживанию всегда проверяйте, что инструмент выключен, а блок аккумулятора снят.

ПРИМЕЧАНИЕ: Запрещается использовать бензин, растворители, спирт и другие подобные жидкости. Это может привести к обесцвечиванию, деформации и трещинам.

Для обеспечения БЕЗОПАСНОСТИ и НАДЕЖНОСТИ оборудования ремонт, любое другое техобслуживание или регулировку необходимо производить в уполномоченных сервис-центрах Makita или сервис-центрах предприятия с использованием только сменных частей производства Makita.

ДОПОЛНИТЕЛЬНЫЕ ПРИНАДЛЕЖНОСТИ

⚠ ВНИМАНИЕ: Данные принадлежности или приспособления рекомендуются для использования с инструментом Makita, указанным в настоящем руководстве. Использование других принадлежностей или приспособлений может привести к получению травмы. Используйте принадлежность или приспособление только по указанному назначению.

Если вам необходимо содействие в получении дополнительной информации по этим принадлежностям, свяжитесь с вашим сервис-центром Makita.

- Штыревые гвозди
- Оригинальный аккумулятор и зарядное устройство Makita
- Защитные очки

ПРИМЕЧАНИЕ: Некоторые элементы списка могут входить в комплект инструмента в качестве стандартных приспособлений. Они могут отличаться в зависимости от страны.

Makita Europe N.V. Jan-Baptist Vinkstraat 2,
3070 Kortenberg, Belgium

Makita Corporation 3-11-8, Sumiyoshi-cho,
Anjo, Aichi 446-8502 Japan

www.makita.com

885563-980
EN, SV, NO, FI, LV,
LT, ET, RU
20161125